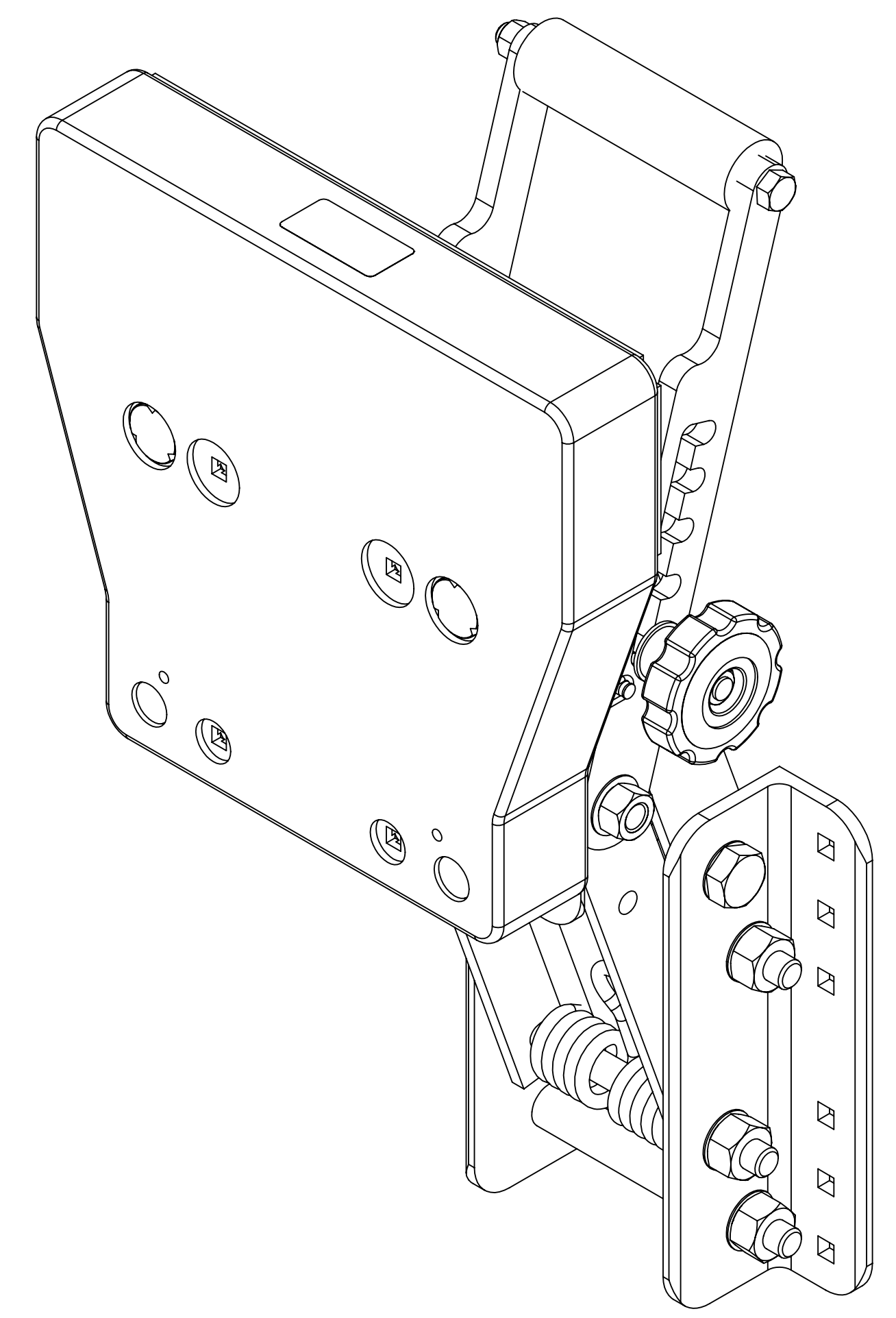
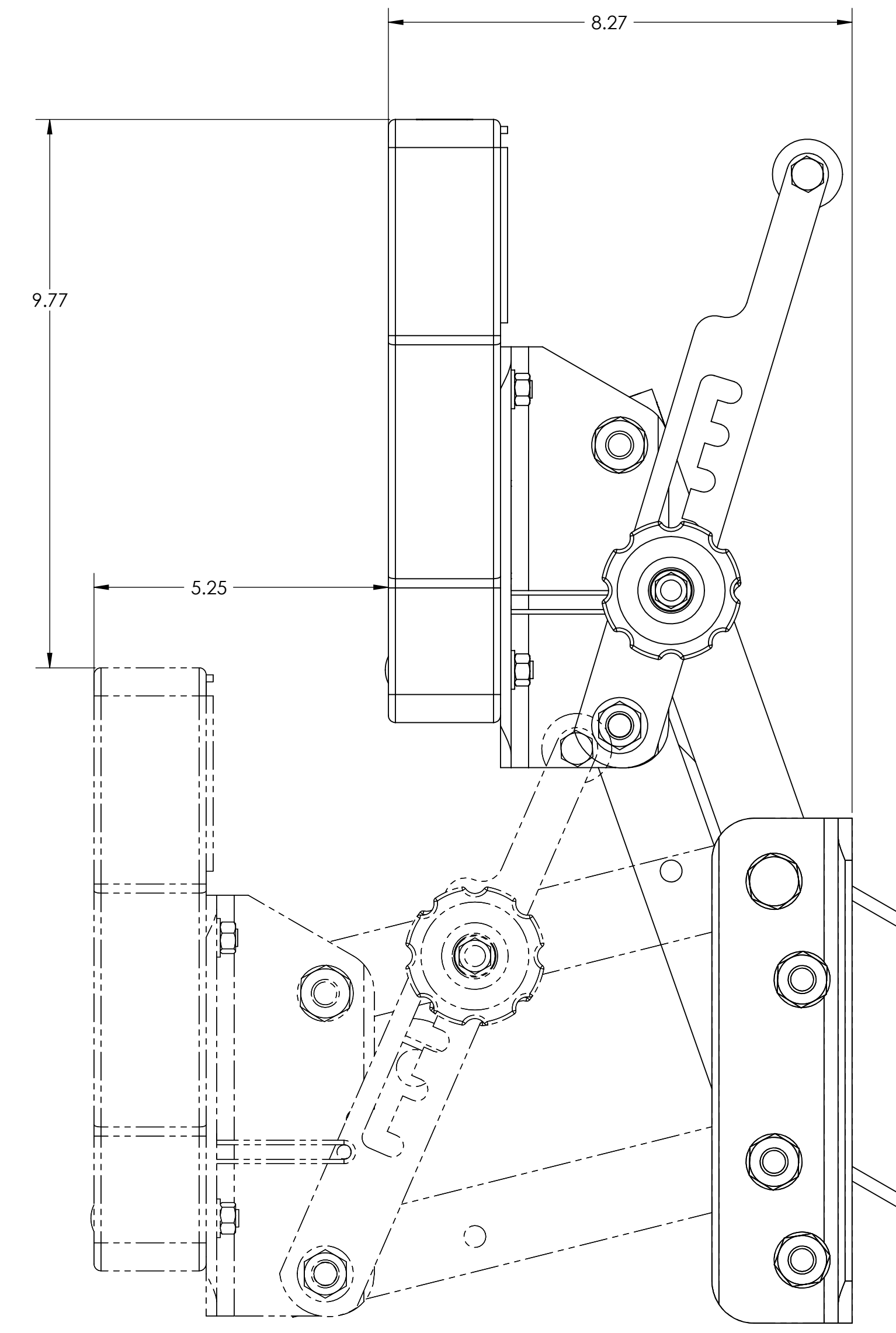
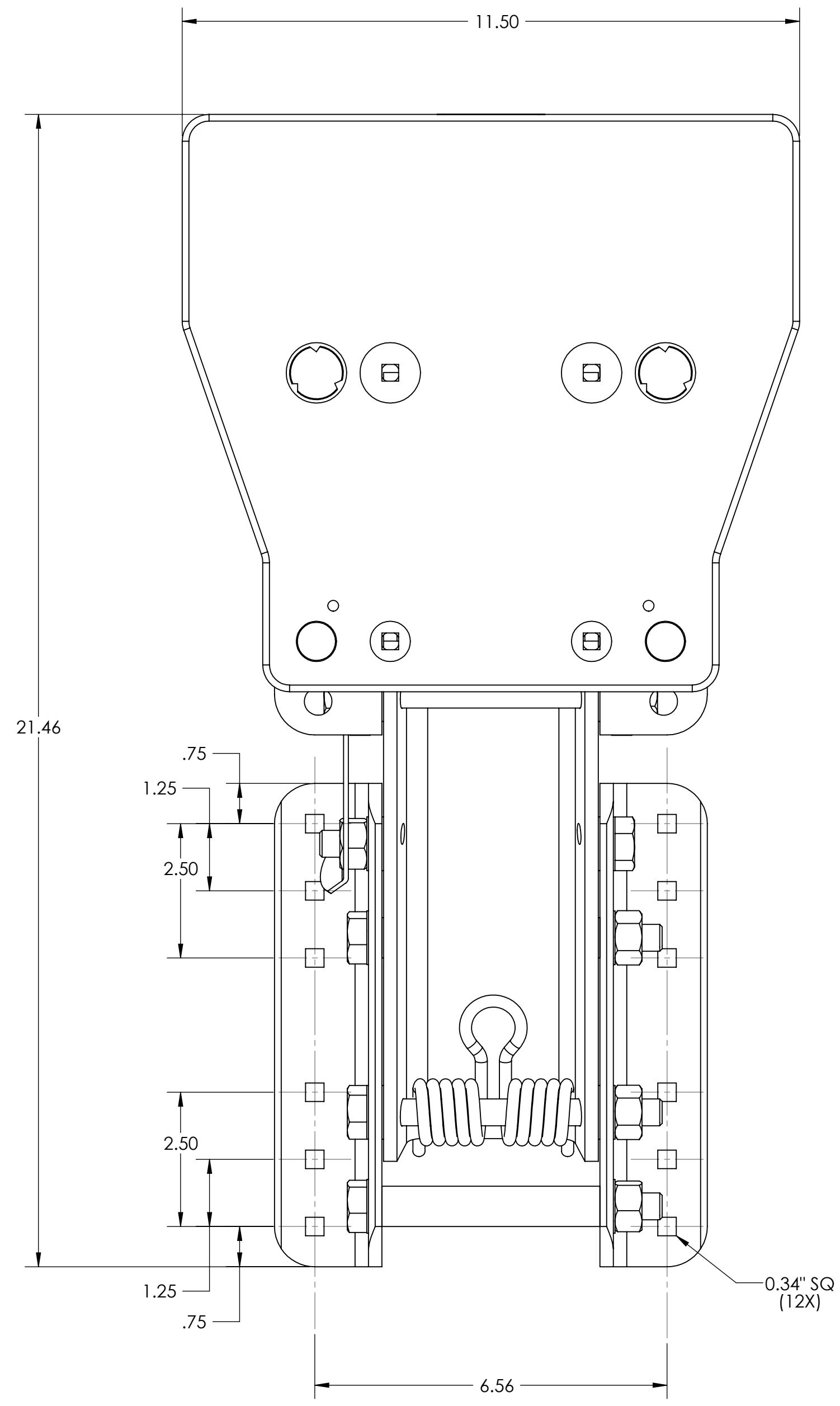


ITEM NO.	PART NUMBER	DESCRIPTION	QTY
1	03.028	L/N NI HX SS 3/8-16	1
2	03.133	WSHR PP 1"x 1/2"x.030	20
3	03.158	PB SS 5/16-18x2 1/2"	2
4	03.244	CB SS 5/16-18x2 1/2"	2
5	03.250	BP1-CS HH SS 3/8-16 X 5 3/4	1
6	03.256	NUT LOCK NI SS 1/2-13	5
7	03.311	L/N N/I NTE SS 3/8-16	2
8	03.329	PIN GROOVE TYPE G 1/4 X 5/8	2
9	03.330	HHCS SS 1/2-13 X 6	1
10	03.331	BP1-HHCS SS 1/2-16 X 5 1/2	5
11	03.332	WSHR SS 5/16" PASSIVATED	4
12	03.339	L/N NI SS NTE 5/16-18	4
13	03.340	L/N NI SS NTE 1/2-13	1
14	03.377	WASHER 1 X .343 X .065 NYLON	2
15	03.615	NYLON WASHER .900 X .515 X .060	2
16	06.228	BLACK HYPALON	1
17	06.283	MTG BRD, PLASTIC WIDE	1
18	06.343	NYLON WASHER, BLACK	2
19	06.577	PLASTIC KNOB WITH INSERT	2
20	08.161	THREADED SHAFT 8.125 X .375 DIA	1
21	12.066	LABEL, MOTOTR BRACKET WARNING	1
22	12.294	LABEL, MOTOTR BRACKET OPERATION	1
23	12.318	LABEL SERIAL NUMBER	1
24	12.325	LABEL, 30 HP	1
25	49.203	COMPRESSION SPRING	2
26	49.204	DOUBLE TORSION SPRING	2
27	49.206	WIRE FORM PULLER	2
28	57.087	LOCK BAR	2
29	57.088	EXTR. CHANNEL	2
30	57.090	LONG ANGLE LEFT	1
31	57.091	LONG ANGLE RIGHT	1
32	57.094	HANDLE SPACER	1
33	57.095	SAFETY LOCK	1
34	57.097	SPACER	2
35	57.099	SHORT ANGLE LEFT	1
36	57.100	SHORT ANGLE RIGHT	1

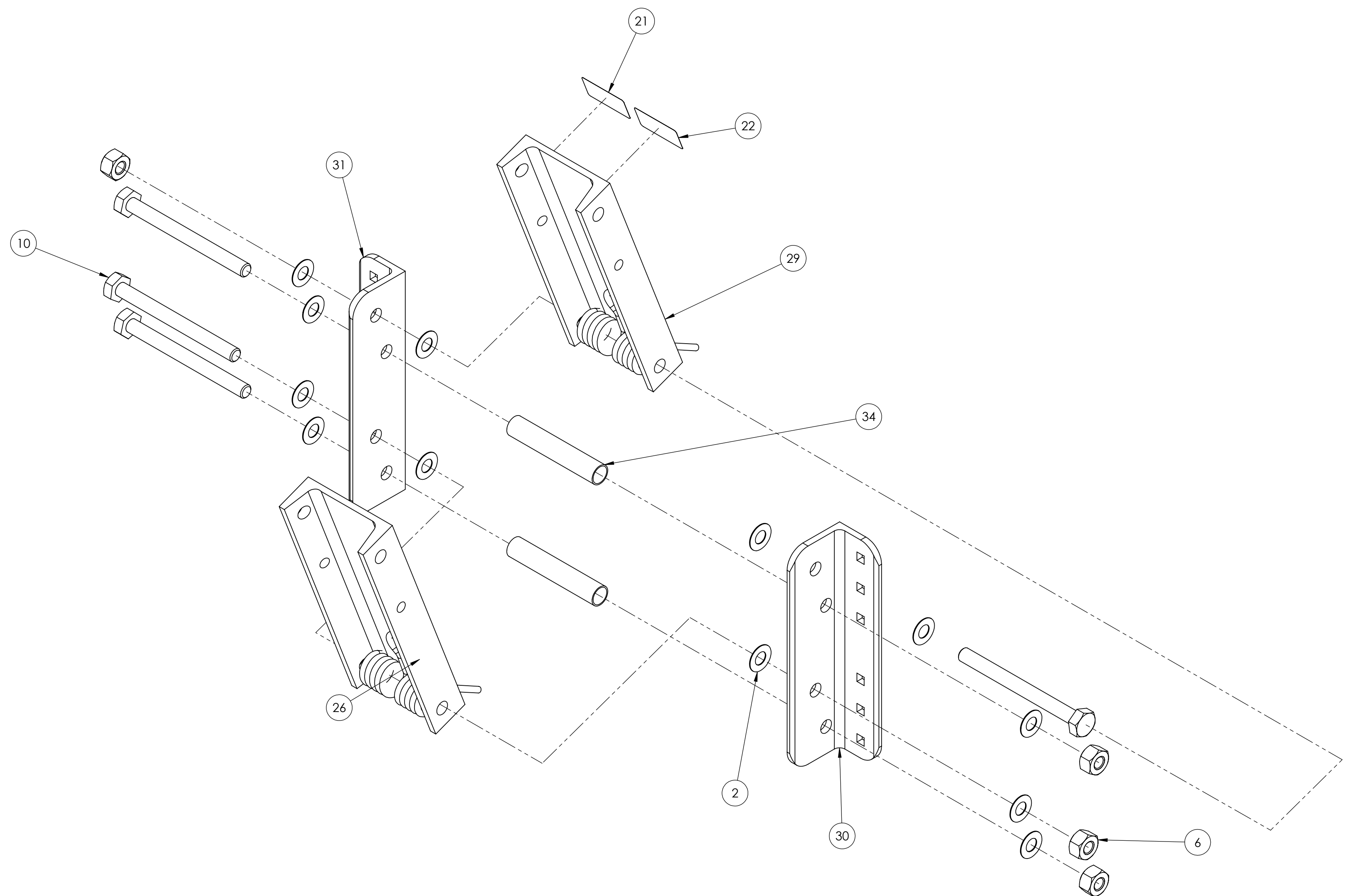
PACKAGING ITEMS NOT SHOWN			
ITEM NO.	PART NUMBER	DESCRIPTION	QTY
37	07.426	CARTON 11 9/16 X 8. 13/16 X 21 5/8	1
38	12.107	WARRANTY SHEET	1
39	12.295	INSTRUCTION SHEET	1
40	12.313	MOTOR BRACKET REG CARD	1
41	12.516	LABEL SERIAL NUMBER	1
42	57.098	HARDWARE PACKAGE	1

REVISIONS				
REV.	CN	DESCRIPTION	DATE	APPROVED
A	896	REDRAWN TO CONFORM WITH CURRENT MFG METHODS	8/14/2007	GEO
B	1143	ADDED 12.295 AND 12.313 TO PKG	7-16-08	LJJ





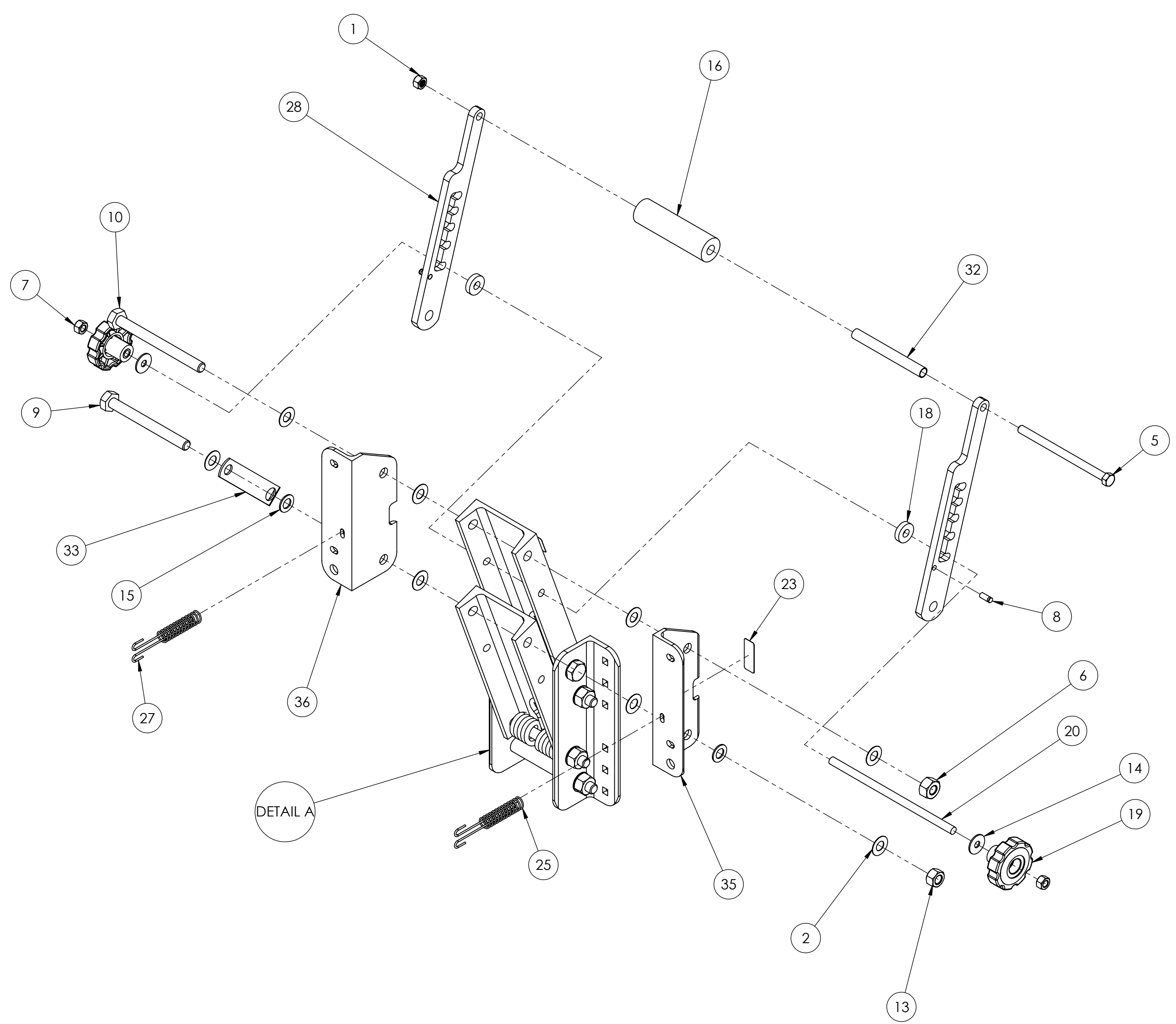
- NOTES UNLESS OTHERWISE SPECIFIED:**
1. APPLY LOCTITE OR THREAD LOCKER TO ALL FASTENERS PRIOR TO ASSEMBLY.
 2. ASSEMBLY TO BE FREE OF SCRATCHES, DISCOLORATION, OR IRREGULARITIES.
 3. SEE DETAIL A,B, AND C FOR ITEM LOCATION.
 4. ALL DIMENSIONS ON THIS DRAWING ARE FOR REFERENCE ONLY.

UNLESS OTHERWISE SPECIFIED: DIMENSIONS ARE IN INCHES TOLERANCES: FRACTIONAL ± 1/32 ANGULAR: MATCH ± 1 BEND ± 1 ONE PLACE DECIMAL ± 0.020 TWO PLACE DECIMAL ± 0.010 THREE PLACE DECIMAL ± 0.005 INTERPRET GEOMETRIC TOLERANCING PER ANSI Y14.5M	NAME: GEO DATE: 8/7/2007 DRAWN: TWMM CHECKED: TWMM ENG APPR: TWMM MFG APPR: EDE Q.A.: AME	DATE: 8/14/2007 DATE: 8/14/2007 DATE: 8/14/2007 DATE: 8/14/2007 DATE: 8/14/2007	 644 SECOND STREET ST. PAUL PARK, MN 55071
MATERIAL: SEE NOTE SECTION FINISH: SEE NOTE SECTION THIRD ANGLE PROJECTION:	THE INFORMATION CONTAINED IN THIS DRAWING IS THE SOLE PROPERTY OF GARLOCK MFG. CO., ANY REPRODUCTION IN PART OR AS A WHOLE WITHOUT THE WRITTEN PERMISSION OF GARLOCK MFG. CO. IS PROHIBITED.	PROPRIETARY AND CONFIDENTIAL THE INFORMATION CONTAINED IN THIS DRAWING IS THE SOLE PROPERTY OF GARLOCK MFG. CO., ANY REPRODUCTION IN PART OR AS A WHOLE WITHOUT THE WRITTEN PERMISSION OF GARLOCK MFG. CO. IS PROHIBITED.	TITLE: MOTOR BRACKET SIZE: D DWG. NO.: 71090 SCALE: 1:2 RELEASE: CN896 SHEET 1 OF 4



DETAIL A

UNLESS OTHERWISE SPECIFIED:		NAME	DATE	GARELICK  644 SECOND STREET ST. PAUL PARK, MN 55071
DIMENSIONS ARE IN INCHES		DRAWN	GEO 8/7/2007	
TOLERANCES:		CHECKED	TWM 8/14/2007	TITLE: MOTOR BRACKET
FRACTIONAL ± 1/32		ENG APPR.	TWM 8/14/2007	
ANGULAR: MACH ± 1 BEND ± 1		MFG APPR.	EDE 8/14/2007	
ONE PLACE DECIMAL ± .020		Q.A.	AME 8/14/2007	
TWO PLACE DECIMAL ± .010		PROPRIETARY AND CONFIDENTIAL THE INFORMATION CONTAINED IN THIS DRAWING IS THE SOLE PROPERTY OF GARELICK MFG. CO.. ANY REPRODUCTION IN PART OR AS A WHOLE WITHOUT THE WRITTEN PERMISSION OF GARELICK MFG. CO. IS PROHIBITED.		
THREE PLACE DECIMAL ± .005		SIZE DWG. NO. REV C 71090 B		
INTERPRET GEOMETRIC TOLERANCING PER: ANSI/ASME Y14.5M		SCALE: 1:2, RELEASE: CN896 SHEET 2 OF 4		
MATERIAL SEE NOTE SECTION				
FINISH SEE NOTE SECTION		DO NOT SCALE DRAWING		



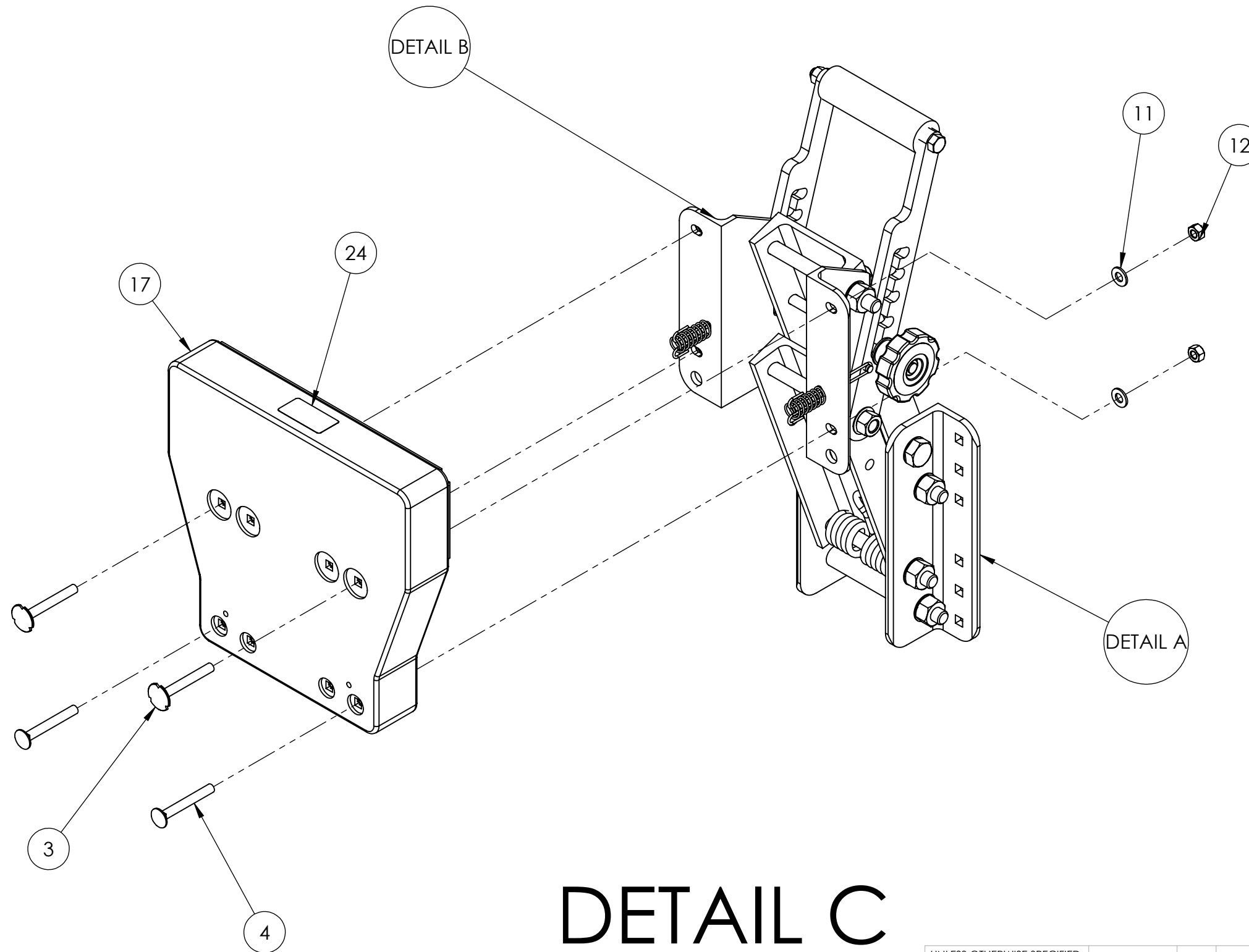
DETAIL A

DETAIL B

UNLESS OTHERWISE SPECIFIED:		NAME	DATE	 644 SECOND STREET ST. PAUL PARK, MN 55071 MOTOR BRACKET
DIMENSIONS ARE IN INCHES		DRAWN	GEO 8/7/2007	
TOLERANCES:		CHECKED	TWM 8/14/2007	
FRACTIONAL ± 1/32		ENG APPR.	TWM 8/14/2007	
ANGULAR: MACH ± 1 BEND ± 1		MFG APPR.	EDE 8/14/2007	
ONE PLACE DECIMAL ± 0.020		Q.A.	AME 8/14/2007	
TWO PLACE DECIMAL ± 0.010		PROPRIETARY AND CONFIDENTIAL THE INFORMATION CONTAINED IN THIS DRAWING IS THE SOLE PROPERTY OF GARELICK MFG. CO.. ANY REPRODUCTION IN PART OR AS A WHOLE WITHOUT THE WRITTEN PERMISSION OF GARELICK MFG. CO. IS PROHIBITED.		
THREE PLACE DECIMAL ± 0.005		MATERIAL SEE NOTE SECTION FINISH SEE NOTE SECTION DO NOT SCALE DRAWING		

SIZE	DWG. NO.	REV
C	71090	B
SCALE: 1:4 RELEASE: CN896		SHEET 3 OF 4

71090



DETAIL C

UNLESS OTHERWISE SPECIFIED:

DIMENSIONS ARE IN INCHES
 TOLERANCES:
 FRACTIONAL $\pm 1/32$
 ANGULAR: MACH ± 1 BEND ± 1
 ONE PLACE DECIMAL $\pm .020$
 TWO PLACE DECIMAL $\pm .010$
 THREE PLACE DECIMAL $\pm .005$

INTERPRET GEOMETRIC TOLERANCING PER: ANSI/ASME Y14.5M

MATERIAL
 SEE NOTE SECTION

FINISH
 SEE NOTE SECTION

DO NOT SCALE DRAWING

	NAME	DATE
DRAWN	GEO	8/7/2007
CHECKED	TWM	8/14/2007
ENG APPR.	TWM	8/14/2007
MFG APPR.	EDE	8/14/2007
Q.A.	AME	8/14/2007

PROPRIETARY AND CONFIDENTIAL
 THE INFORMATION CONTAINED IN THIS DRAWING IS THE SOLE PROPERTY OF GARELICK MFG. CO.. ANY REPRODUCTION IN PART OR AS A WHOLE WITHOUT THE WRITTEN PERMISSION OF GARELICK MFG. CO. IS PROHIBITED.

GARELICK / *EEJ-In*
 644 SECOND STREET
 ST. PAUL PARK, MN 55071



TITLE:
MOTOR BRACKET

SIZE	DWG. NO.	REV
B	71090	B

SCALE: 1:4 RELEASE: CN896 SHEET 4 OF 4

