

THE O'DAY CRUISERS



O'DAY: EVERYTHING YOU'VE BEEN LOOKING FOR IN A TRAILERABLE CRUISER.



O'Day has been the most popular name in sailboats for nearly 25 years. Today, there are more than 50,000 O'Days of all types and sizes sailing the waters of the world. They range in size from 10 foot daysailers to ocean-going 37-footers in the Caribbean charter fleets.

When you consider what we build into each and every O'Day Cruiser, it's easy to understand why the O'Day name is familiar to sailors all over the world.

VALUE

No other cruising sailboat gives you as much quality for your money as O'Day.

Every fiberglass hull and deck is painstakingly laid-up by hand.

Every line, every piece of hardware, every bolt, turnbuckle and cleat has proven itself in years of sailing trials.

And every Cruiser is the product of O'Day's unrivalled experience and boat-building knowledge. It's built to last.

With all this, it's no wonder that our warranty is one of the best in the industry. Or that our resale values are among the highest.

Each of the Cruisers featured here is carefully outfitted with standard equipment that often appears as "optional" or "not available" with other boats in this size range.

For example, we use Barient winches because we think they're one of the best brands available. They're standard at no extra cost.

Every O'Day Cruiser comes with a stainless steel bow pulpit. An aluminum outboard bracket is shipped standard with every boat. There are teak handrails on all O'Day Cruisers. Decks are gel-coated in a two tone pattern with anti-skid molded into the surface. Standing rigging is stainless steel while sheets and halyards are braided Dacron®. And the head is a self-contained one-piece unit. Sails come with each boat. They're custom-cut Dacron made to our speci-

cations. O'Day delivers a Cruiser that is complete except for your safety gear and personal items for galley and crew.

Also check the list of standard equipment at the back of this brochure. When you buy an O'Day Cruiser, you don't have to spend a fortune – or waste sailing time – having your boat outfitted. You're buying a sailboat that's ready to *sail!*

PERFORMANCE

At O'Day, we believe that a comfortable cruising boat should also be an exhilarating performer. After all, excitement is half the fun of sailing.

And our cruisers perform. If you're a novice, they're forgiving, uncomplicated and easy to sail. A boat you can enjoy from day one. A boat that's

encouraging rather than intimidating.

If you're an expert, our Cruisers will delight you with their responsiveness, precision, "feel" and ease of handling – in heavy breezes as well as light.

No matter how much sailing you've done, or how often you sail an O'Day Cruiser, it will continue to give you the enjoyment and challenge that drew you to sailing in the first place.



SAFETY

An O'Day Cruiser is above all a safe boat – a boat you can trust.

They were created by John Deknatel and the designers at C. Raymond Hunt Associates, and built by a company with an enviable reputation for quality construction.

So when the weather turns foul, an O'Day Cruiser is ready. With a strong hull and tightly sealed seams. With a self-bailing cockpit. With stainless steel standing rigging and gear for



easy reefing. With stable, predictable performance.

To the novice, the O'Day Cruisers are fun to sail and forgiving. For more advanced sailors, they are exciting and can be exhilarating in competition or on a fast cruise.

FUN



O'Day Cruisers have more fun designed into them than any other sailboats. And they let you have fun in more places, because all three O'Day Cruisers are trailerable.

If you've always wanted to cruise down East on the coast of Maine, do it. Drive there with your O'Day Cruiser: rig and launch and you're on your way. Think of it! The Mississippi, Michigan's Upper Peninsula, even Lake Tahoe are all within reach of your O'Day Cruiser.

The O'Day Keel/Centerboard design gives you the versatility you need to sail almost anywhere. Board-down, O'Day's have the solidity, performance and control you need for deep water cruising. Board-up, they're great island hoppers...right up to the beach.

O'Days give you room to have fun: they have large cockpits and berths that offer more than comfort – they also offer privacy.

Finally, carefully chosen materials and components – coated aluminum spars, stainless steel rigging and deck hardware – mean durability in the marine environment. You'll spend less time maintaining and more time sailing.

O'DAY 22

PERFECT FOR AN AFTER-NOON. COMFORTABLE FOR AN OVERNIGHT.



The O'Day 22 is one of the most versatile cruisers ever designed.

If you only have a few hours, you can sail away from the slip within minutes of coming aboard. If you have time to spare, gather your crew, fill the roomy lockers with provisions, and head out for a weekend or a week. The 22 sleeps four comfortably.

The keel/centerboard design makes this an easy boat to trailer, a trustworthy deepwater cruiser, and a perfect exploring boat, with shoal draft of just 1'3," board-up.

As pretty to sail as she is to look at.

The O'Day 22's graceful lines, accented by teak handrails and toe rail caps, two-tone beige and cream decks and handsome hull striping prove that a good looking boat needn't cost a fortune.

And she feels as good under sail. For the novice: forgiving, uncomplicated and encouraging. For the veteran: rewarding, responsive and precise. Any way you look at her, the 22 is a good looking boat.



The most functional 22-footer in the harbor.

In the cockpit, there's room for family and friends to stretch out.

And in the cabin? The galley includes a built-in stainless steel sink, a 15 gallon water supply and room for an optional two burner stove.

When it's time to turn in, stow the dining table and stretch out on the 6'6" settee berths. Crew or guests will be forward in a separate cabin on comfortable "V" berths. Sliding curtains don't pro-

vide the privacy of a door, so the O'Day 22 has a teak door between cabins.

Their "extras" are our "standard equipment."

That's especially important to the novice, or the first-time sailboat owner. Because you won't have to spend time researching and searching for the right equipment.

The O'Day 22 is practically ready to sail the minute you buy her. In addition to those standard features we mentioned earlier in this brochure – the Barient winches, sails, outboard bracket, bow pulpit and self-contained head, and others – there's even more. The 22 is complete with roller reefing, a mast tabernacle that makes raising and lowering the spar much

easier, and Dacron running rigging. All you need to add is ground tackle, safety gear and outboard motor if you want power.

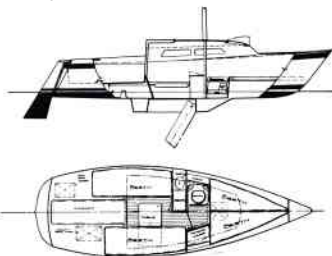


THE O'DAY 22

I 22.0' E 9.0'
P 24.5' J 8.0'

Overall length 21'8"
Waterline length 18'11"
Beam 7'2"
Draft board up 1'3"
Draft board down 4'3"
Sail area 198.3***
Max. recom. H.P.* 15
Mast length 27'3"
Mast height** 31'

C/B – Keel material Lead
C/B – Keel weight (approx.) 800 lbs.
Sailing displacement 2623† lbs.
Minimum trailering weight 2183 lbs.
Safety features SB



SB – Self-bailing cockpit C/B – Centerboard *Long shaft model **Above waterline (approx.)
***100% Foretriangle †Boat with 4 people at 160 lbs. each.

O'DAY 23

THE FAMILY-SIZE CRUISER THAT LOOKS—AND PER- FORMS—LIKE A RACER.



Only O'Day could create a trailerable 23 that offers so much and sacrifices so little.

As a cruiser, she has plenty of room and comfort for family and friends.

And as a performance boat? You'll understand the first time you turn her loose in a good breeze.

The performance you want...

If you're new to sailing, you'll be delighted by the 23's simplicity

and cooperative nature. You'll also be surprised at how easy it is to sail this boat *well* with a little practice.

If you're an old hand, you'll be excited at how quickly the 23 will take you where you want to go, precisely and responsively, in deep water – board-down, or a shoal cove – board-up.

... and the room you need.

The O'Day 23 boasts outstandingly efficient use of cabin space.



For the cook, there's an ingenious one-piece galley – complete with fresh water and sink – that slides out from under the deck aft of the starboard settee. The whole unit runs on tracks, and locks into position. It includes space for your stove, a cutting surface, storage space for pots and a pan, and even the sink drains overboard.

Slide the galley away, fold the table against the bulkhead, and you have two 6'7" settee berths.

Extended, the port settee is also a roomy double bed.

Forward and through the doorway, there's a private head to port, hanging locker to starboard, plenty of storage bins everywhere, and a 6'3" V-berth that sleeps two.

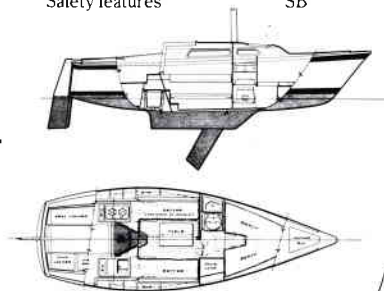


THE O'DAY 23

I 28.0' E 9.0'
P 23.5' J 10.0'

Overall length 22'9"
Waterline length 19'6"
Beam 7'11"
Draft minimum 2'3"
Draft maximum 5'4"
Sail area 246***
Max. recom. H.P.* 15
Mast length 27'
Mast height** 32'

C/B – Keel material Lead
C/B – Keel weight (approx.) 1200 lbs.
Sailing displacement 3725[†] lbs.
Minimum trailering weight 3085 lbs.
Safety features SB



FG – Fiberglass SB – Self-bailing cockpit C/B – Centerboard *Long shaft model **Above waterline (approx.)
***100% Foretriangle [†]Boat with 4 people at 160 lbs. each.

M.O.R.C. 17.9 on design waterline at a weight of 3,425 lbs.

O'DAY 25

THE TRAILERABLE LONG-RANGE CRUISER.



Few boats suited to ocean cruising are equally suited trailering behind your car.

The O'Day 25 is designed for both. So if vacations mean long land trips to do some long distance ocean or lake cruising, this 25 is for you.

A mid-size cruiser with big boat roominess, stability and performance, the O'Day 25 is the ideal boat for the serious sailing family.

Spacious enough for six.

Most trailerable cruisers are simply too small for long trips. The result: "cabin fever."

The O'Day 25 solves the problem. With a cockpit that's 7 feet across. And with 100% useable interior space. There's five and a half feet of headroom in the main cabin. And you'll have full headroom when seated at the dining table. Placement of the seat backs is designed to offer more sitting room – and makes a wider berth. There's additional storage space behind the seat cushions, too.

The port berth expands into a comfortable double while the starboard and quarter berth are good-size singles.



The forward V-berth is separated from the salon by a fully enclosed head and built-in vanity, hanging locker, sink and water pump.

Look at the galley area: ice box, stainless steel sink, dish storage area, stove locker, condiment rack and food and utensil lockers are right at the companionway where there is plenty of light and air. **Available in keel and centerboard versions.**

Unlike the other O'Day Cruisers, the 25 is available in two configurations. You can have

a shoal-draft centerboarder that draws just 2'6" board-up, and a full 6' board-down. Or, if you sail in deep water all of the time and have high performance on your mind, you'll probably want the fin keel model that draws 4'6" and has a larger rig with 290 sq. ft. of sail area. But even with 1775 lbs. of lead ballast, it can still be moved from port to port aboard a trailer.

Both handle precisely and responsively thanks to a well-

balanced rudder. Both will get you from here to there in record time when speed is of the essence.

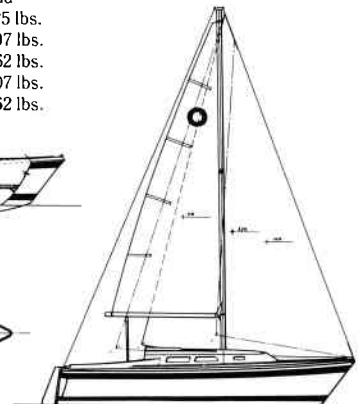
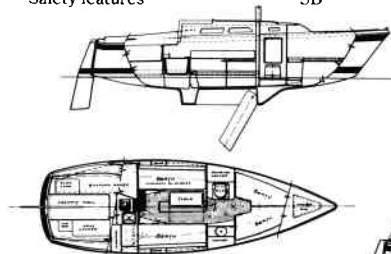


THE O'DAY 25

I 30.0' E 9.0'
P 24.5' J 10.6'

Overall length 24'10"
Waterline length 21'
Beam 8'
C/B Draft min. 2'3"
Keel Draft min. 4'6"
C/B Draft max. 6'
Keel Draft max. 4'6"
Sail area*** C/B 270
Sail area*** Keel 290
Max. recom. H.P.* 15
Mast length C/B 29'
Mast length Keel 31'
Mast height** C/B 33'8"
Mast height** Keel 35'8"

Rudder draft 2'8"
Keel weight (approx.) 1775 lbs.
C/B - Keel material Lead
C/B - Keel weight (approx.) 1825 lbs.
Sailing displacement C/B† 4807 lbs.
Sailing displacement Keel† 4762 lbs.
Minimum trailering weight C/B 4007 lbs.
Minimum trailering weight Keel 3962 lbs.
Safety features SB



SB - Self-bailing cockpit *Long shaft model **Above waterline (approx.)
***100% Foretriangle †Boat with 5 people at 160 lbs. each.

STANDARD EQUIPMENT: IT'S WHERE O'DAY SETS THE STANDARD.

Each of the O'Day Cruisers is a fully-equipped pocket yacht featuring many construction details and standard equipment items that make it a uniquely complete sailaway boat and a fine investment.

The photograph featured here is the O'Day 22. It was selected to demonstrate just how complete every O'Day Cruiser is when it leaves the factory.



Bow Pulpit – A welded stainless steel pulpit gives extra support when working with the jib, anchor, or docklines. Lifelines are standard on the O'Day 23 and 25.

Sails – A working jib and mainsail are shipped with every O'Day Cruiser. They come from Neil Pryde – one of the largest and best sailmakers in the world. (We race and win with Pryde Sails.)

Mast and Boom – Aluminum is the industry standard. We coat our spars to keep them looking good, and to keep corrosion and oxidation away from every O'Day.



Forward Hatch – Mounting the hatch flush means easier tacking with fewer hang-ups for the jib, longer life for sails and a comfortable place to sit up forward. It also means less chance for leaks.



Teak Handrails – They look good, they're firm in your grip, and they're genuine teak so they require little maintenance. If you look along the edge of the deck, you'll see a teak toerail, too. It's standard on every O'Day Cruiser.

Tabernacle – Because we know that you'll want to raise and lower the mast more than once each season, we stepped it on a tabernacle. That makes properly setting the foot in the step a snap.



Hardware – When we outfit an O'Day we go for the good stuff: Barient winches, Schaefer and Merriman hardware that's either stainless or durably coated to give it long life in the rugged marine environment.

Running Rigging – All sheets and halyards are low-stretch braided Dacron® line. It's quality line that's made to give years and years of service.



Outboard Bracket – Will you be using an outboard motor? The bracket you'll need to mount it is a standard feature on all O'Day Cruisers. It's coated aluminum, made to last.

This isn't all. Turn to the back page for a complete listing of Standard Features and the optional ones available to you. Of course, our specifications are subject to change as we make improvements in our boats. Your O'Day dealer has the very latest information on any changes from that which is presented in this brochure.

All boats built by Bangor Punta Marine are constantly being reviewed and improved. As a result, standard equipment and options are subject to change at any time. See your dealer for the latest specifications.

O'DAY CRUISERS STANDARD FEATURES

HULL AND DECK

- One-piece hand laminated fiberglass hull with integrally molded keel/centerboard trunk. Hull and stripe colors molded in.
- Weighted fiberglass centerboard.
- Hull-to-deck joint is lapped, sealed, mechanically fastened, and covered with a two-piece vinyl gunwale guard.
- Transom mounted fiberglass rudder with varnished ash tiller.
- Trailering eye in bow.
- Outboard bracket.
- Hand-laminated fiberglass deck with balsa core.
- Stainless steel stemhead fitting and chainplates.
- Molded fiberglass toe rails with teak caps.
- Flush forward hatch.
- Teak cabin top handrails.
- Sliding companionway hatch with vented-teak plywood penboards.
- Barient #10P chrome jib-sheet winches with cleats for each winch.
- Barient 10-inch winch handle.
- Cockpit fuel tank locker and cockpit sail locker.
- Non-skid surfaces and two-tone deck colors molded in.

MAST, BOOM AND RIGGING

- Painted aluminum mast and boom with integral luff and foot grooves and aluminum spreaders.
- Masts stepped on deck with stainless steel tabernacle.
- Mast running light.
- Braided dacron main and jib sheets; low stretch braided dacron halyards.
- Main with single reef and working jib.

INTERIORS

- Textured fiberglass headliner extends throughout interior cabins.
- Textured fiberglass floorpan, bonded to hull for added strength.
- Foam-backed fabric hull liner for insulation and sound absorption.
- Fabric-covered foam cushions – 3" in V-berth; 4" in main cabin.
- Teak interior bulkheads and cabinets with solid teak trim.
- Fabric curtains and rods installed on the cabin ports.

PLUMBING AND ELECTRICAL

- International running lights.
- 12-volt circuit breaker panel.
- Plastic battery box.
- 15 gallon seamless plastic fresh-water tank.

O'DAY 25 STANDARD FEATURES

HULL, DECK, AND RIGGING

- 1,775 lbs. internal lead ballast.
- Bow and stern pulpits, stanchions with single lifelines.
- Pulpits and stanchions thru-bolted to back-up plates.
- Flush-anchor locker with overboard drain.
- Genoa tracks with lead blocks.
- Four fixed and two opening ports.
- Mainsheet traveler with adjustable stops; mounted on bridge deck.
- Molded icebox with drain, in cockpit.
- Masthead sloop rig.
- Boom topping lift.
- Jiffy reefing.

INTERIOR

- V-berth measures 6' x 5'8" with removable insert.
- Teak bulkhead forward of berth with access to storage.
- Storage under berth.
- Vanity to starboard with sink, cabinet, with plexiglass doors and storage locker.
- Head.
- Hanging locker.
- Teak folding door separates forward area from main cabin.
- Port and starboard settee/berths 6' long.
- Quarter berth 6'5" long.
- Storage under settees.
- Bulkhead mounted drop-leaf table.
- Galley unit aft includes insulated icebox, stainless steel sink with overboard drain, fresh-water pump, storage locker for optional stove; food locker with plexiglass doors, dish rack, utensil bins, and cabinet under galley.
- Four interior cabin lights.
- Galley sink drains through bronze thru-hull with gate valve.
- Slide-out extension converts the port settee to double berth. Cushion provided.

O'DAY 23 STANDARD FEATURES

HULL, DECK, AND RIGGING

- 1,200 lbs. internal lead ballast.
- Stainless steel bow pulpit, stanchions and single lifelines, thru-bolted to back-up plates.
- Flush-anchor locker in foredeck with overboard drain.
- Genoa tracks and lead blocks.
- Four fixed ports.
- Molded icebox with drain in cockpit.
- Masthead sloop rig.
- Boom topping lift.
- Jiffy reefing.
- Two bow, two stern mooring cleats.

INTERIOR

- V-berth measures 6'3" x 5'5"; removable insert cushion.
- Teak bulkhead forward of berth with access to storage.
- Storage under berth.
- Hanging locker.
- Head.
- Teak folding door separates forward area from main cabin.
- Settee/berths port and starboard in main cabin. Port berth is 6'6"; starboard berth, 5'11".
- Bulkhead mounted, drop-leaf table.
- Molded, insulated self-draining icebox with hinged teak lid.
- Fiberglass and teak galley unit includes sink with overboard drain, fresh-water pump, utensil storage bins, locker, and space for optional stove. Entire unit slides aft to store under the cockpit, when not in use.
- Four interior cabin lights.
- Deck-filled for water tank.
- Bronze thru-hull with gate valve for galley sink drain.
- Slide-out extension converts the port settee to double berth. Cushion provided.

O'DAY 22 STANDARD FEATURES

HULL, DECK, AND RIGGING

- 800 lbs. internal lead ballast.
- Stainless steel bow pulpit.
- Four fixed ports.
- Two bow, two stern mooring cleats.
- 7/8 sloop rig.
- Boom hanger on backstay.
- Mainsheet block with cam cleat mounted on backstay.
- Roller reefing gooseneck.

- Positive flotation provided by foam under "V" berths.
- Jib sheet lead blocks.
- Centerboard pennant led to cleat in cockpit.

INTERIOR

- V-berth measures 5'10" x 4'8".
- Teak bulkhead forward of V-berth with access to storage.
- Head.
- Folding teak door separates forward area from main cabin.
- Port and starboard settee/bunks in main cabin – 6'5" long.
- Storage under main cabin settees.
- Galley unit with sink, fresh-water pump, locker, and space for optional stove.
- Removable table mounted on pedestal.
- Two interior cabin lights.

DESCRIPTION OF O'DAY CRUISER LINE OPTIONS

- **Bilge Pump – Hand** – Gusher 8 manual bilge pump mounted inside the cockpit seat locker. (23 & 25 only.)
- **Boom Vang** – Multi-part tackle with all hardware needed to attach to the mast and boom. (23 & 25 – 4:1 tackle; 22, 3:1.)
- **Carpet** – Beige shag carpet to cover the main cabin sole.
- **Cowl Vent** – 4" Flexible PVC removable cowl vent with rigid plastic deck plate.
- **Cradle** – Heavy wood cradle designed for shipping and storing the boat.
- **Head with Deck Discharge** – Chemical head with integral holding tank and deck discharge line. This head must be emptied at a shore pump-out station.
- **Inboard Engine** – OMC Saildrive – 15 Horsepower gasoline engine installed under the cockpit. The installation includes: 12 gallon, aluminum fuel tank; bilge blower; cockpit mounted engine controls; 35 amp alternator. This engine installation meets USCG requirements for gasoline engines. (25 only.)
- **Mainsail Cover** – Blue fabric sail cover to protect the main from the weather, when the sail is left furled on the boom.
- **Mast Raising Device** – All hardware necessary to prepare the rig for a simple operation, utilizing the boom for great mechanical advantage, to raise the mast from over the bow. Instructions included. (23 & 25 only.)
- **Recessed Storage Bins** – Molded-plastic bins that fit into the berth tops, providing clean, dry storage. (23 & 25 only.)
- **Stove** – Two-burner Kenyon alcohol stove with silver anodized finish.
- **Tiller Extension** – Adjustable length, self-locking aluminum tiller extension.
- **Halyard Winch** – Barient #10P chrome winch, with pad for mounting the winch on the spar. (Shipped uninstalled.)
- **Genoa/Spinnaker Winch** – Barient #18 chrome 2-speed winches mounted in the cockpit in lieu of the standard winches.
- **Winch Handle** – Barient 10" chrome winch handle.
- **Lifelines with Stanchions** – Stainless steel stanchions, bolted through the deck; single vinyl coated lifelines run from the bow pulpit, through the stanchions, to a pad-eye on deck. (22 only.)
- **Stern Pulpit** – Stainless steel stern pulpit runs across back of cockpit; bolted to deck. Lifelines run to the stern pulpit. (23 only.)
- **Genoa Gear** – Genoa tracks mounted on deck with end stops and sheet lead blocks. Genoa sheets provided. (22 only.)

Some photos may show optional or special equipment and accessories used as photographic props.

O'Day Boats are built by



A Division of Bangor Punta Corporation
P.O. Box 991, Fall River, MA 02722

Cat. No. 881-1

© Copyright 1981 Bangor Punta Marine

Printed in U.S.A.