

Pak-A-Potti VI

PORTABLE TOILET



- OPERATION
- CLEANING
- REPAIR PARTS
- SUPPLIES

MODEL NO.
259.73636
Color: Almond

CAUTION:
Read Owner's Manual and
instructions on package for safe
use of waste holding tank
deodorant.

ALL ABOUT YOUR SEARS Pak-A-Potti® VI

General Information

Your Pak-A-Potti VI is a portable, two-tank design. The fresh water assembly includes a fresh water storage tank, flush bellows, cover with self-locking lid latch, seat, water fill cap and tissue dispenser. The lower section consists of a waste holding tank, self-storing, swivel pour-out spout, waste level gauge, deodorant storage pocket, air vent for smooth emptying and holding tank cap. The waste holding tank is detached, for easy carrying to a permanent toilet facility, by releasing locking lever. Pak-A-Potti® Holding Tank Deodorant is placed in the waste holding tank to help reduce odors.

DANGER ☠ POISON

Pak-A-Potti® Holding Tank Deodorant may be harmful or fatal if swallowed. Causes severe burns. Strong sensitizer. Contains methyl alcohol and formaldehyde. Cannot be made nonpoisonous. Avoid contact with skin, eyes, and mucous membranes. Avoid prolonged or repeated breathing of vapor. Prolonged or repeated contact may cause allergic irritation.

FIRST AID: In case of contact, flush with water for 15 minutes. For eyes get prompt medical attention. If swallowed give 1 or 2 glasses of water and induce vomiting. Milk or egg white in water may be given. Call physician or Poison Control Center promptly.

Read caution on back label carefully. Children and handicapped should be instructed for proper usage. Keep out of reach of children.

Do not add Pak-A-Potti Holding Tank Deodorants directly into toilet bowl while holding tank valve is closed. Pressure due to heat and altitude change can build up in the waste holding tank causing bowl contents to splash upward upon opening the holding tank valve. Before each use, open and shut the holding tank valve with seat cover closed to vent the waste holding tank.

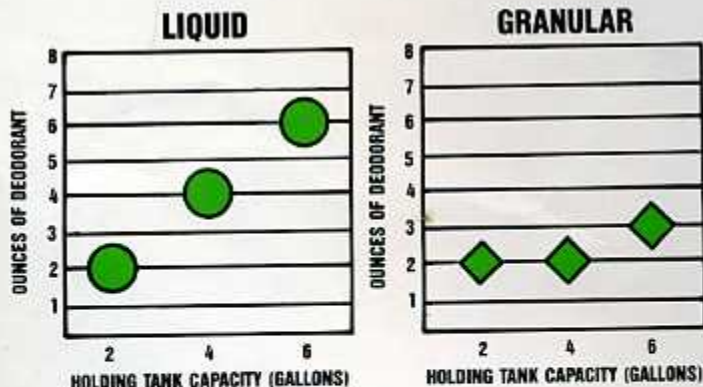
Operation and Maintenance

1. Preparing the waste holding tank for use:

Turn the Pak-A-Potti VI onto its front edge, with the locking lever and water fill cap facing upward. Slide locking lever all the way to the left — unlocked position. Separate the units by pivoting them away from each other and lifting the water tank from the guide sockets at the front edge of the waste holding tank.

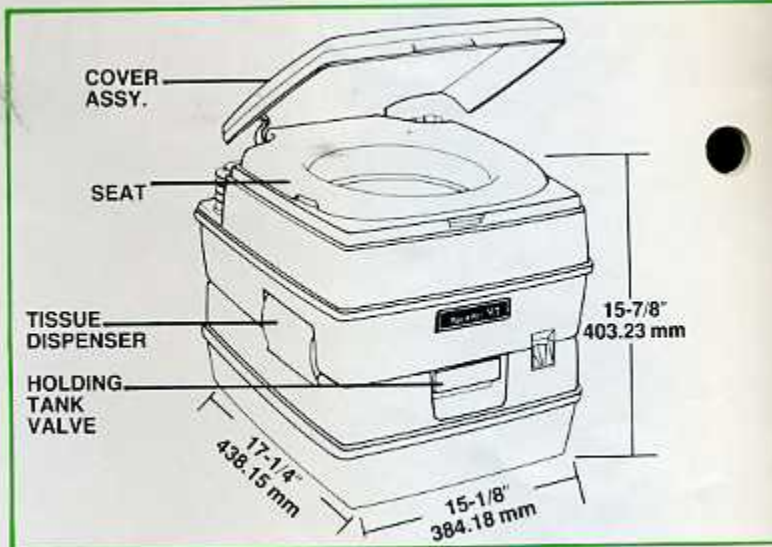
Pull valve handle out. Add Pak-A-Potti Deodorant to waste holding tank through valve opening. Push valve handle in and reassemble unit.

The waste holding tank incorporates a preformed storage pocket for an 8 oz. bottle of Pak-A-Potti Holding Tank Deodorant.



2. Filling the fresh water and waste holding tank:

Position the fresh water tank assembly on the floor with water fill cap facing upward. Remove cap and fill tank with fresh water, 2.4 gallons. Replace and tighten cap securely. DO NOT ADD PAK-A-POTTI HOLDING TANK DEODORANT OR ANY OTHER HOLDING TANK DEODORANT TO THE FRESH WATER TANK ASSEMBLY.



3. Attaching the fresh water and waste holding tanks:

Place both units on their front edges, facing each other, with the water fill cap and waste holding tank cap facing upward. Align units by inserting tabs under front edge of fresh water tank into sockets on the front edge of waste holding tank. Pivot the back ends of the two sections towards each other until they are firmly seated, then slide the locking lever all the way to locked position. Place Pak-A-Potti VI in its normal upright position. Depress flushing bellows while opening holding tank valve to mix chemical deodorant with water, then close holding tank valve.

The holding tank valve is opened by pulling straight out on the valve handle located on front side of waste holding tank, and closed by pushing the valve handle all the way in.

4. Flushing the toilet bowl:

Before each use, open and close the holding tank valve with the seat cover closed. This will vent any pressure that may have built up as a result of heat or altitude, and will prevent the bowl contents from splashing upward during flushing operation. Add a sheet of tissue on the holding tank valve blade or add water to the bowl prior to use.

After using, flush by sequentially opening the holding tank valve and depressing the flushing bellows. This dual action results in the best available bowl rinse and efficient use of water.

5. Emptying the waste holding tank:

Pak-A-Potti VI should be emptied whenever the contents of the waste holding tank level gauge indicator has changed from green to red. DO NOT ALLOW THE TANK TO BECOME OVERFILLED.

Before emptying the waste holding tank, make certain that the holding tank valve handle is all the way in, then uncouple the units as described under Item #1. Carry the waste holding tank to any permanent toilet facility. Shake waste holding tank to break up solids. Rotate the pour-out spout to desired position and remove cap. Depress air relief valve with thumb while emptying. Rinse with fresh water, replace spout cap, rotate spout to store position. Add Pak-A-Potti Holding Tank Deodorant as specified and lock the two modules back together.

6. Refilling Paper Tissue Dispenser:

After separating the fresh water tank and waste holding tank, place fresh water tank on front edge while steadying tank with one hand, rotate tissue dispenser past its detent position and unthread from the (4) track pins. Replacement is accomplished by reversing above steps.

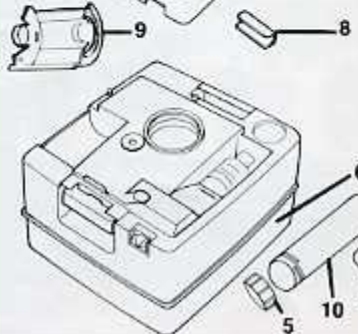
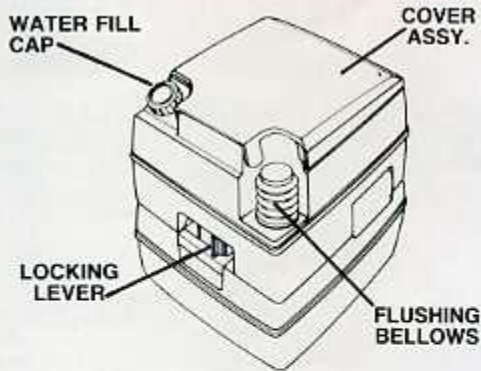
Spread tissue dispenser ends apart to remove empty tissue tube. Install new roll by spreading ends. Over-spreading will result in damage to the tissue dispenser.

7. For winter operation:

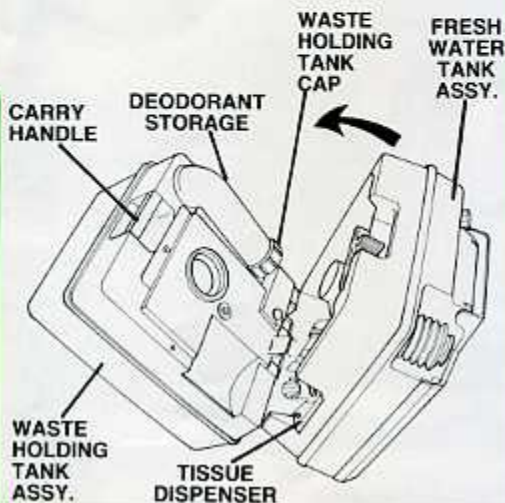
To prevent possible damage in sub-freezing temperatures, add toilet anti-freeze to fresh water storage tank. Add 6 oz. of Liquid Pak-A-Potti Holding Tank Deodorant or 3 oz. of Granular Pak-A-Potti Holding Tank Deodorant to the waste holding tank. Depress and refill flushing bellows to prevent freeze damage.

8. Cleaning and Maintenance:

Use a mild dishwashing detergent to clean plastic seat, tanks and



Key No.	Part No.	Description
1	15760A	Cover Assembly
2	1326210	Seat
3	12901	Cap. Water Fill
4	15770A	Water Tank Assy. (Incl. #7)
5	15205W	Cap, Waste Holding Tank
6	15771A	Waste Holding Tank Assy. (Incl. #8)
7	15708W	Flushing Bellows
8	13119	Carry Handle
9	13105	Tissue Dispenser
10	15204W	Spout
11	15180	O Ring
12	14610	Owner's Manual (Not Shown)



Specifications

CAPACITY: Waste Holding Tank—
6.1 gallons

Water Holding Tank—
2.4 gallons

MATERIAL: Polypropylene and ABS

SIZE: 17-1/4" D (438mm)
15-1/8" W (384mm)
15-7/8" H (403mm)

bowl. The seat and cover snap off for added convenience. **DO NOT USE SCOURING POWDERS, ACIDS OR CONCENTRATED CLEANSERS, WHICH CAN DAMAGE PLASTIC PARTS AND RUBBER SEALS.**

Lubricate the valve blade and shaft occasionally with a light film of silicone spray. This will prevent sticking after extended storage.

9. Storage:

Empty all water from fresh water tank and waste holding tank. Empty flushing bellows by depressing several times. Rinse out waste holding tank with solution of one-cup household bleach mixed with one-gallon of water, shake, drain, air dry and recap.

NOTES:

Portable toilets are legally acceptable in most states* for use in vessels not having permanently installed toilets.

*U.S. Coast Guard regulations allow such use. However, some states and province of Ontario do not permit portable toilets.

Check local and state marine laws before purchasing.

**FOR PROPER
FUNCTIONING
OF YOUR
Pak-A-Potti®
PORTABLE
TOILET
ORDER
THESE
Pak-A-Potti®
SUPPLIES**



Pak-A-Potti® Holding Tank Deodorant

Controls odor in waste holding tank. Fresh pleasant odor. Compatible with all sanitation systems. Biodegradable. Septic tank safe. Child resistant cap.
Model No. 6 73541 Box of six 8 fl. oz. disposable bottles.
Model No. 6 73544 32 fl. oz. 1-quart bottle.



Pak-A-Potti® Holding Tank Deodorant

Specially designed for portable toilets. Packaged in new convenient 16 oz. plastic bottle. Biodegradable. Fresh pleasing odor. Goes to work instantly. Helps keep holding tank clean.
Model No. 6 73547
16 oz. bottle.



Pak-A-Potti® Toilet Tissue

Snowy-white, specially formulated water-soluble toilet tissue. Flushes easily from bowl... disintegrates rapidly in waste holding tank. Helps prevent messy clogs. Recommended for all portable and fixed sanitation systems.

Model No. 6 73537
Package of four rolls.

Pak-A-Potti® VI

PORTABLE TOILET

The Model Number of your Portable Toilet will be found on the instruction label located on the underside of the toilet cover. Always mention the Model Number when requesting service or repair parts for your Sears Portable Toilet.

All parts listed herein may be ordered from any Sears, Roebuck and Co. retail or catalog store.

WHEN ORDERING PARTS, ALWAYS GIVE THE FOLLOWING INFORMATION AS SHOWN IN THIS PART LIST.

1. PART NUMBER
2. PART DESCRIPTION
3. MODEL NUMBER, 259.73636
4. NAME OF ITEM, "PAK-A-POTTI® VI"

If the parts you need are not stocked locally, your order will be electronically transmitted to a Sears Repair Parts Distribution Center for expedited handling.

Warranty service is available by returning the Pak-A-Potti to the nearest Sears Service Center.