

UNIVERSAL DIESEL

Model 20 & 30
(5416, 5424)

SERVICE MANUAL

medalist 

Universal Motors

This copy of the Universal Motors Service Manual has been re-created using images computer scanned from a manual rather than original artwork. Note that where the page breaks appear to be out of place, this has been done to retain the page breaks and numbering of the original manual.

MODEL 20 & 30 INDEX

Specifications	1 – 2
Fuel System	3 – 4
Lubrication System	5 – 6
Oil Filter	6
Combustion System	7
Valve Timing	8
Compression Release	9
Cylinder Liner	10
Cylinder Head	10
Piston & Rings	11
Crankshaft	11
Connecting Rod	12
Gear Train	13
Camshaft Bearings	13
Main Bearings	14
Injection Pump	15
Water Pump	16
Flywheel	16
Starting Motor	16 – 17
Glow Plug	17 – 18
Wiring Diagram	19
Reference Charts	20 – 2

Specifications

MODELS	15 (5411)	20 (5416)	30 (5424)	40 (5432)	50 (5444)
Horsepower	11	16	24	32	44
No of Cylinders	2	2	3	4	4
Bore & Stroke	2.67 x 2.75	2.99 x 3.23	2.99 x 3.23	2.99 x 3.23	3.3 x 3.25
Displacement (Cu. In.)	31	45	68	91	115
Maximum RPM	3000	2800	2800	2800	3000
Compression Ratio	22:1	21:1	21:1	21:1	21:1
Type	Vertical, water cooled, 4-cycle diesel engine				
Electrical Equipment	12 volt, 55 AMP Alternator, Electric Starter & Glowplugs				
Fuel Pump	Mechanical	Electric	Electric	Mechanical	Electric
Lubrication (Engine)	2.2 Qts	3.7 Qts	5.6 Qts	11.5 Qts	8.5 Qts
	Use SAE 30 HD (CD) or 10W40 heavy duty diesel lubricating oil				
Lubrication (Transm'n)	Fill to mark on dipstick with automatic transmission fluid Type A				
Transmission Reduction	2:1				
Cooling System (7 psi cap)	Sea water cooled	Fresh water cooling system			
		4.8 Qts	6 Qts	8 Qts	8 Qts
		14psi	14psi	14 psi	14 psi
Sea Water Inlet & Outlet	$\frac{3}{8}$ " NPT				
Exhaust Flange	$1\frac{1}{4}$ " NPT			$1\frac{1}{2}$ " NPT	
Fuel	Diesel fuel number 2-D				
Fuel Inlet Hose	$\frac{5}{16}$ " I.D.				
Filter, Fuel Oil	298854	298854	298854	298854	298854
Filters, Lubrication Oil	299381	298852	298852	299584	299927
Governor	Centrifugal type - all speeds				

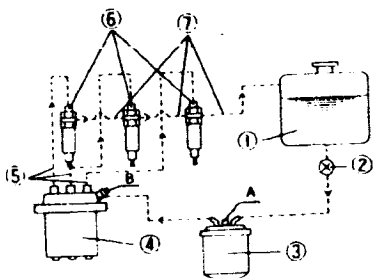
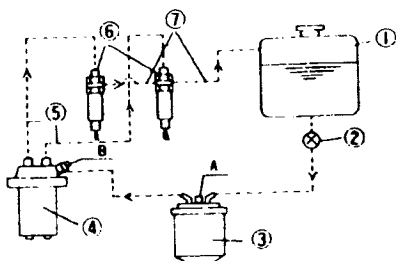
MODELS	15 (5411)	20 (5416)	30 (5424)	40 (5432)	50 (5444)
Operating Temperature	135° to 150°	175° to 190° F			
Maximum Operating Angle	15°				
Engine Rotation	Clockwise when viewed from V-belt end				
Propeller Rotation	Right Hand (Both Standard & V-Drive)				
Engine Weight (Pounds)	245	365	425	490	545
Length (Overall)	25.6"	28.0"	32.5"	36.2"	36.0"
Height (Overall)	21.2"	24.1"	24.6"	26.0"	26.0"
Width (Overall)	20.7"	20.7"	20.7"	20.7"	21.4"
Injection Nozzle					
Injection Timing	25° before top dead center – all models				

Construction and Handling

2.1 Fuel System

◆ Fuel system

The fuel system schematic is shown in Fig. 1 with the fuel flowing in the direction indicated by the arrows. To bleed air from the system, loosen the vent plug "A" on the fuel filter and crank the engine until there are no more air bubbles from the vent. Tighten vent 'A' and purge the air from the injection pump at vent "B" using the same procedures.



- a) Fuel tank
- b) Fuel cock
- c) Fuel filter
- d) Fuel injection pump
- e) Injection pipe
- f) Nozzle holder
- g) Overflow pipe
- A. Vent plug, filter
- B. Vent plug, pump

Fig. 1. Fuel System

◆ Fuel-filter

The fuel filter is of the cartridge type shown schematically in Fig. 2. Under normal conditions it should only have to be replaced every 400 hours. To install, apply a small amount of fuel to the packing and tighten securely by hand. For removal, the use of a filter wrench 15221—86611 is recommended.

- 1. Fuel Filter
- 2. Cover
- 3. Pipe coupling
- 4. Vent plug
- 5. "O" ring
- 6. "O" ring
- 7. Element

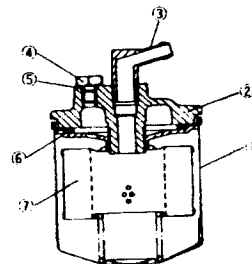


Fig. 2. Fuel Filter

◆ Fuel injection timing

Fuel injection timing is adjusted by changing the number of shims used between the pump and the gear case it fits into. See Fig. 3. One shim corresponds to approximately 1.5 degrees in crank angle. Therefore, injection will take place 1.5 degrees later when a shim is added and 1.5 degrees earlier when a shim is removed. The timing is correct when the pointer in the peephole on the side of the flywheel housing lines up with the "F 1" marked on the flywheel. See Fig. 4.

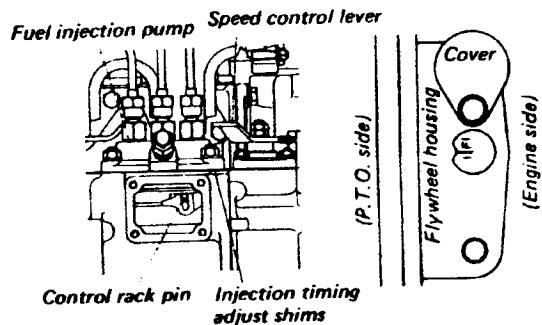


Fig. 3. Adjustment of Injection Timing

Fig. 4. Inspection of Injection Timing

◆ **Fuel injection pump**

The fuel injection pump is the Bosch "Mine K-type". It is a precision piece of equipment machined to close tolerances and its performance directly affects the performance of the engine. Therefore, handle it with care.

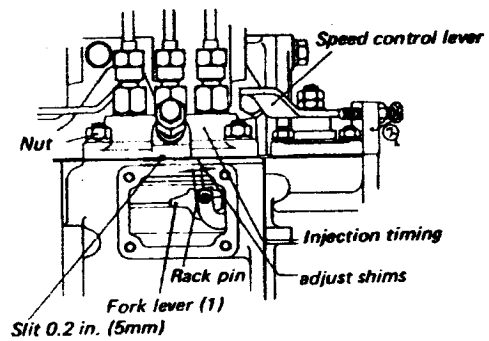
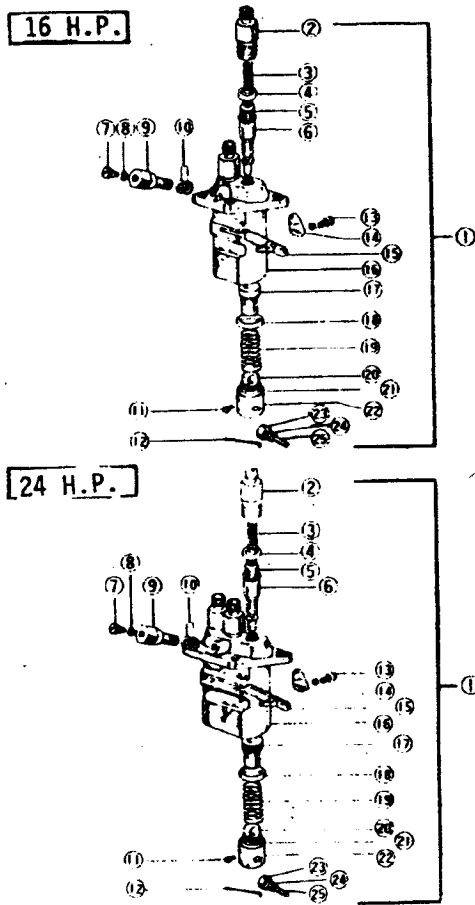
◆ **Handling the injection pump**

Use care in handling and using the injection pump. As mentioned before, the injection pump is a precision piece of equipment and care should be taken not to drop it or clamp it tightly when working on it. Also, be sure to use only clean fuel that has been filtered. Oil drums left outdoors are always considered to contain water, so always filter this fuel before using.

Clean fuel is a must as the fuel is forced through parts of the pump and nozzle with clearances of 0.0004 in. (1/1000mm) which may easily be stuck or rusted by even the slightest amount of water in the fuel.

◆ **Installing the injection pump**

When installing the injection pump, make certain that the control rack pin is correctly placed in the 0.2 in. (5mm) wide groove of the fork lever (1) before tightening the attaching bolts. Refer to the diagram. If the bolts are drawn down with the rack pin off the groove, the rack may over travel and stick in this position. This would cause excess fuel flow, allowing the engine to overspeed which would result in engine failure.



- | | |
|--------------------------|------------------------|
| 1. Injection pump ass'y | 14. Adjusting plate |
| 2. Delivery valve holder | 15. Control rack |
| 3. Delivery valve spring | 16. Pump housing |
| 4. Delivery valve gasket | 17. Control sleeve |
| 5. Delivery valve | 18. Upper spring sheet |
| 6. Cylinder pump element | 19. Plunger spring |
| 7. Air bleeder screw | 20. Lower spring sheet |
| 8. Packing | 21. Shim |
| 9. Hollow screw | 22. Tappet ass'y |
| 10. Packing | 23. Roller |
| 11. Tappet guide pin | 24. Roller bushing |
| 12. Clamp pin | 25. Roller pin |
| 13. Bolt | |

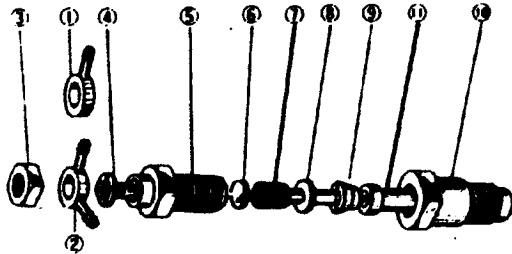
Fig. 5. Fuel Injection Pump

◆ **Fuel injection nozzle**

The fuel injection nozzle, like the fuel injection pump, is also a precision piece of equipment and should be treated with the same amount of care.

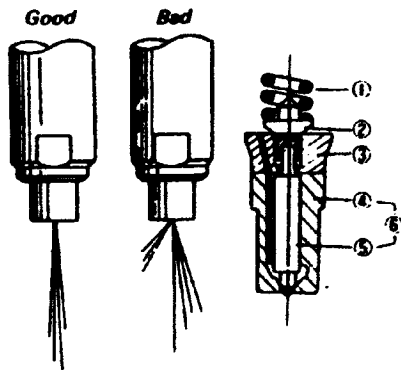
◆ **The nozzle cracking pressure**

The nozzle cracking pressure is adjusted by adding or subtracting shims from the top of the nozzle spring. Adding a 0.004in. (0.1mm) shim will increase the cracking pressure by about 142 psi. (10 kg/cm²). The nozzle cracking pressure is 1990 to 2133 psi. (140 to 150 kgf/cm²)



- | | |
|-----------------------|------------------------|
| 1. Delivery nipple 1 | 7. Nozzle spring |
| 2. Delivery nipple 2 | 8. Push rod |
| 3. Nut | 9. Pressure pin holder |
| 4. Washer | 10. Nozzle nut |
| 5. Nozzle holder body | 11. Nozzle piece |
| 6. Adjusting washer | |

Fig. 6. Fuel Injection Nozzle



- | | |
|------------------------|-----------------|
| 1. Pressure spring | 4. Nozzle body |
| 2. Pressure pin | 5. Needle valve |
| 3. Pressure pin holder | 6. Nozzle piece |

Fig. 7. Nozzle

◆ **Spray pattern**

The nozzle cracking pressure and fuel spray pattern are most accurately checked by using a nozzle "pop test" stand. If a "pop test" stand is not available, remove the nozzles from the engine, leaving the pressure lines connected.

[[CAUTION]]

Hold nozzles so that the high pressure spray from them will not in any way impinge upon unprotected skin. The atomized fuel will easily penetrate the skin and cause blood poisoning.

Set the speed control lever at W. O. T. and operate the starter. The needle valve, if it is working properly, will produce a high pitched pulsating sound like that of a flute as fuel is sprayed out. If this sound is not heard or other problems are noted, refer to the "Fuel Injection Pump & Nozzle Maintenance Std." in 4.1 in "Engine".

[[Precaution]]

- (1) Assembly and disassembly of the nozzle should be done in fresh clean fuel
- (2) The nozzle should always be installed as an assembly, never by component parts
- (3) Remember never to let the nozzle spray contact unprotected flesh
- (4) Tighten the retaining nut to 43.5 to 58 ft-lb (6 to 8 kgf.m) Any torque higher than this will cause slow action of the needle valve and poor injection.

2.2 Lubrication System

◆ **Oil pump pick-up screen**

The oil pump pick-up is located in the crankcase as shown in Fig. 9 and is fitted with a metal screen. If the screen becomes plugged, wash it off with diesel fuel or kerosene.

◆ **Lubrication system**

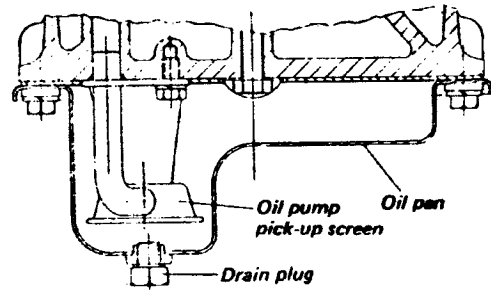
The entire lubrication system is illustrated in Fig. 8. Oil from the pump is forced through the replaciable paper element filter. The filter is equipped with a pressure regulated valve to keep the pressure through the filter at 64— 71 psi. (4.5—5 kgf/cm²). From the filter part of the oil goes to the crankshaft to lubricate the crankpins and the remainder goes to lubricate the rocker arms.

An oil pressure switch is located in the passage from the filter and controls the oil pressure. If the oil pressure falls below 14 psi. (1.0 kgf/cm²) the oil warning lamp will light on the dash panel. If the oil pressure lamp stays on after the engine is running at normal speed, shut the engine off immediately. Find and correct the cause of the low oil pressure before operating again.

If the pressure regulating valve in the filter fails and the pressure rises, a safety valve will limit the pressure to 140 psi. (10 kgf/cm²)

[[Probable cause of low oil pressure]]

- (1) Clearance on one of the bearings is too great
- (2) One of the rocker arms is too loose
- (3) Faulty pressure regulating valve; pressure lower than normal (replace the oil filter or clean the valve on the old one with kerosene or diesel fuel.)



lower than normal

Fig. 9. Detail of Oil Pump Pick-up

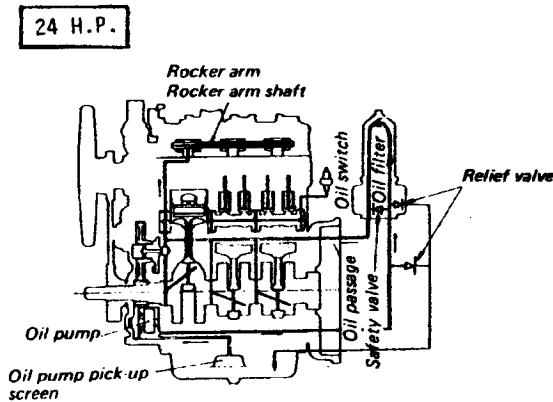
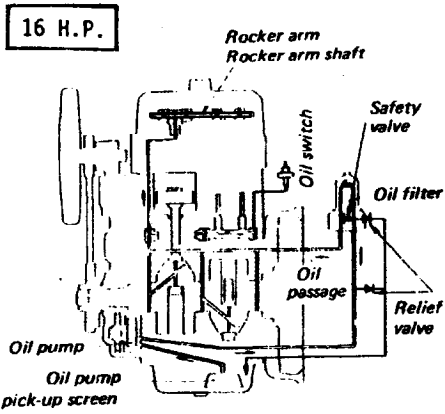
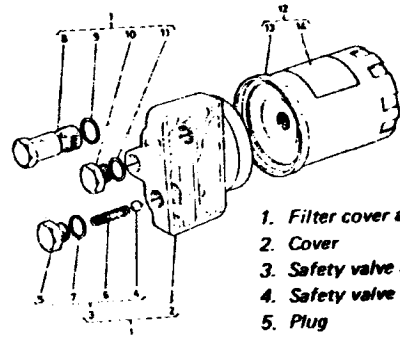


Fig. 8. Lubrication System

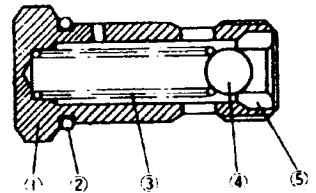


1. Filter cover assy
2. Cover
3. Safety valve assy
4. Safety valve
5. Plug
6. Spring
7. O-ring
8. Relief valve
9. O-ring
10. Plug
11. O-ring
12. Oil filter cartridge assy
13. Oil filter cartridge
14. Label

Fig. 10. Oil Filter

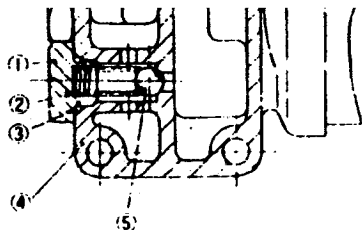
◆ Oil Filter

- (1) Replace the oil filter at every other oil change (every 150 hours)
- (2) Under normal conditions it is only necessary to change the oil filter at specified intervals. If, however, the engine is used in EXTREMELY dirty conditions, the pressure regulating valve and safety valve should also be removed and cleaned.
- (3) Whenever the oil filter is replaced, run the engine under no load for a few minutes until the filter has been filled and then add oil to make up for what is contained in the filter.



1. Relief valve comp.
2. "O" ring
3. Spring
4. Ball valve
5. Valve sheet

Fig. 11. Pressure Regulating Valve



- 1. Safety valve body
- 2. Safety valve spring
- 3. "O" ring
- 4. Oil filter base
- 5. Safety valve

Fig. 12. Safety Valve, Complete

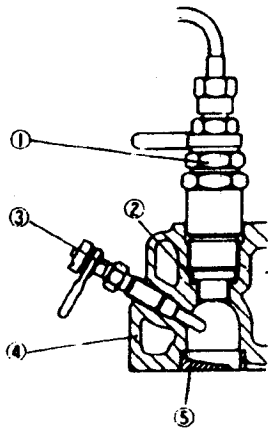
◆ Replacing engine oil

- (1) Drain and replace the engine oil after the first 35 hrs of operation and every 75 hrs thereafter.
- (2) The oil is easier to change if the engine is warm.
- (3) Do not mix different brands of oil. If a different brand of oil must be used, drain the oil and replace with all one brand. Also, do not mix oils of different viscosities.

2.3 Combustion System

◆ Combustion chamber

The engine utilizes a swirl type pre-combustion chamber. See (Fig. 13). Fuel and air are mixed in this chamber resulting in more efficient combustion. A glow-plug is employed to preheat the fuel for easy starts down to 5°F (-15°C).



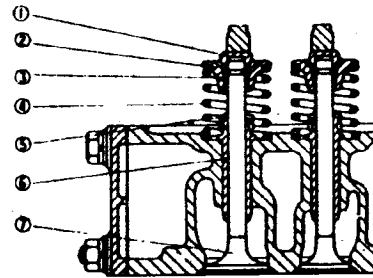
- 1. Nozzle holder
- 2. Nozzle piece packing
- 3. Glow plug
- 4. Cylinder head
- 5. Combustion chamber

Fig. 13. Combustion Chamber

◆ Valve

Combustion air, of course is brought in through the intake valve when the descending piston creates a partial vacuum in the cylinder.

Valve stem seals should be replaced whenever they are removed. If the stem seal are replaced, coat the stem liberally with oil before inserting in the valve guide to prevent burning the valve stem seal.



- 1. Valve cap
- 2. Valve spring retainer
- 3. Valve spring collet
- 4. Valve spring
- 5. Valve stem seal
- 6. Valve guide
- 7. Valve

Fig. 14. Structure of Valves

The dimensions of the replacement valves and valve guides are shown in Fig 16. When new valve guides are installed, the bores should be reamed to 0.316 to 0.315 in. (8.030 to 8.015mm) after installation. The valve head must be recessed 0.043 to 0.055 in. (1.1 to 1.4mm) from the face of the cylinder head to prevent it from hitting the top of the piston.

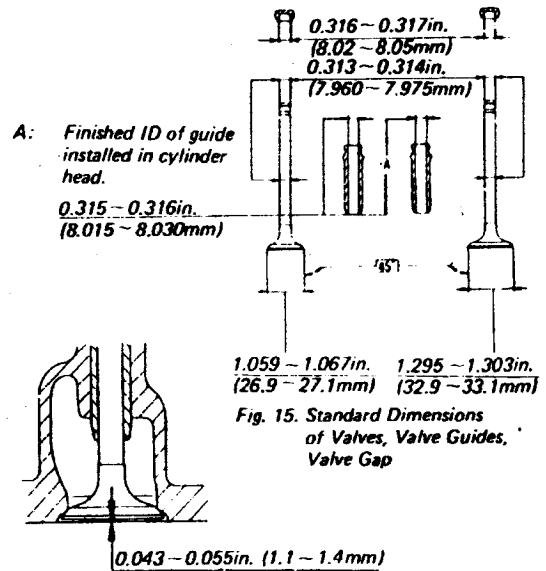


Fig. 15. Standard Dimensions of Valves, Valve Guides, Valve Gap

Fig. 16. Sinking of Valve

◆ Valve timing

When the valve clearance has been adjusted as shown in Fig. 17, the standard valve timing shown in the chart can be attained.

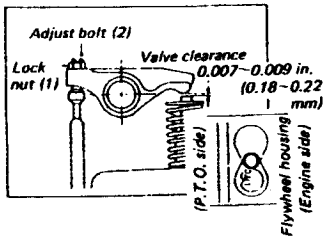


Fig. 17. Adjustment of Valve Clearance

Intake valve opens	20° B TDC
Intake valve closes	45° A TDC
Exhaust valve opens	50° B TDC
Exhaust valve closes	15° A TDC
Valve clearance 0.007 to 0.009 in. (0.18 to 0.22 mm.) with engine cold	

◆ Rocker Arms

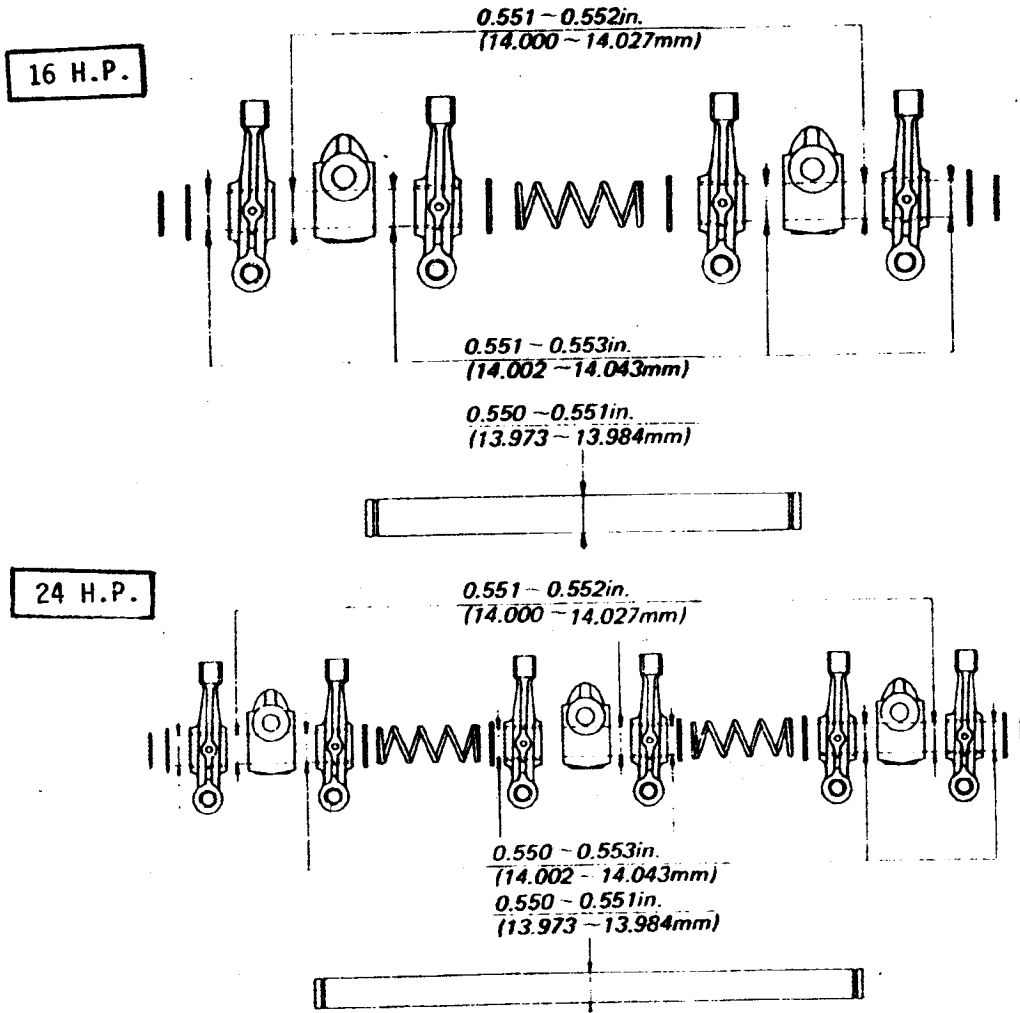


Fig. 18. Standard Relative Position of Rocker Arms

◆ **Compression release (Release wire is optional parts)**

Assemble the parts as shown in Fig. 19. Pull the lever out as far as it will go. Check to see that the 60° angle is attained and that compression is released. The compression release is to be used when the battery is low or when starting in cold weather. To use the compression release, preheat the glow plug as usual, pull the compression release knob out as far as possible and hold it there while cranking the engine. This partially releases the engine compression enabling it to turn faster in cold weather or when the battery is low. Once the engine is turning fast enough to start, release the lever and engine will start.

[[NOTE]]

Make sure the compression release has returned to the operating position by pushing the knob all the way in.

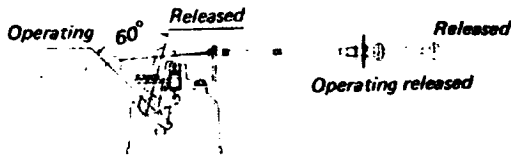


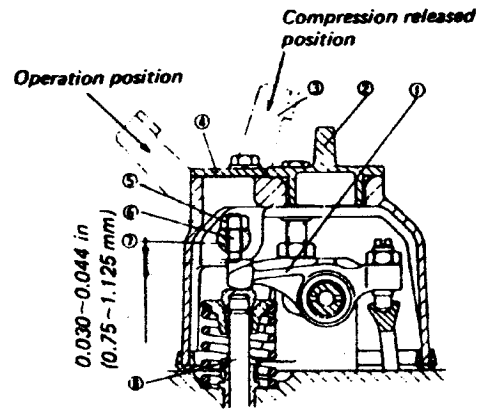
Fig. 19. Compression Released

[[CAUTION]]

Do not pull the compression release lever when the engine is running at high speed or under load. If it is necessary to use the compression release while the engine is running reduce the speed to idle before doing so.

◆ **Adjustment of compression release**

- 1) Set exhaust valve in totally closed position.
- 2) Remove decompression adjustment window cover from cylinder head cover.
- 3) Make valve clearance as "0" with use of decompression adjust bolt. From this position, turn the bolt further by 1 to 1.5 turns. Decompression clearance will then be set at 0.030 to 0.044 in. (0.75 to 1.125mm), which is the designed clearance.
- 4) After adjusting, be sure to lock adjust bolt securely so that it will not unturn while engine is in service.
- 5) Make certain that the clearance is not too wide. To check this, turn crankshaft by hand and make certain valve disk does not contact with piston top.



- | | |
|------------------------------|-----------------------------|
| 1. Rocker arm | 5. Compression release nut |
| 2. Oil filler cap | 6. Compression release bolt |
| 3. Compression release lever | 7. Shaft |
| 4. Adjustment access cover | 8. Valve |

Fig. 20. Adjustment of Compression Release

◆ **Top clearance**

Top clearance should be 0.028 to 0.035 in. (0.7 to 0.9 mm). To adjust, use cylinder gasket shims, 0.006 in. (0.15mm) thick each, onto the head side.

For checking the measurement, place a piece of fuse on the piston top and fix the cylinder head securely on the cylinder-head flange. The measurement is taken by the fuse. The liner is level with the cylinder frame at top surface.

The gasket shims can be reused, so do not lose them.

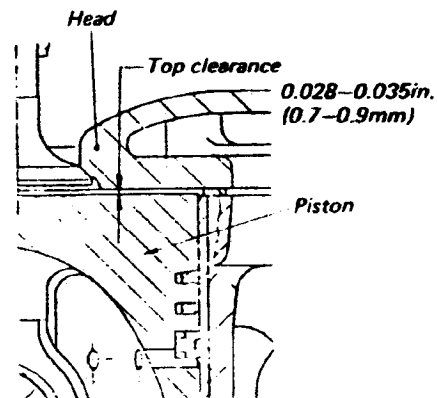


Fig. 21. Top Clearance

◆ **Boring and replacing the cylinder liner**

Referring to Fig. 22, the inside diameter of the liner should be checked at points 1, 2, and 3 and in the directions (a) and (b). The liner on which the wear has exceeded the service limit can be bored and honed to 0.020 in (0.50mm) oversize. The finished dimensions are 3.012 to 3.013 in: (76.500 to 76.519mm) Models 5416 and 5424.

An oversized piston and rings must then be used with this liner. Once this oversized liner has exceeded its wear limit, it should be replaced with a new one. To install a new liner, coat the outside liberally with oil, push into the block with a press and finish to the standard size. When this is done, a standard size piston must again be used.

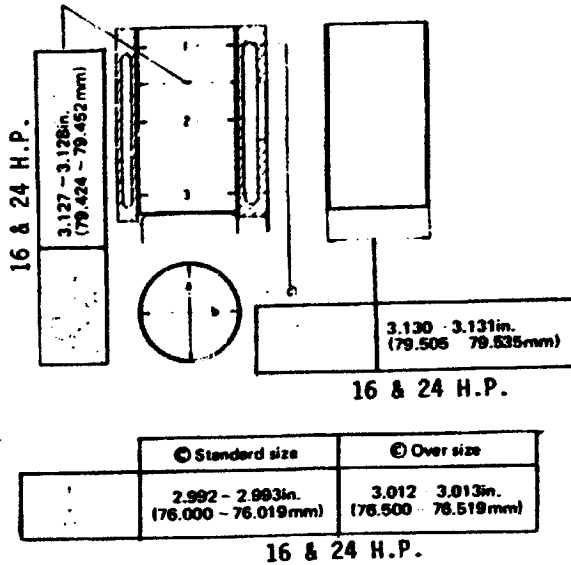


Fig. 22. Standard Dimensions of Cylinder Liner and Liner Bore in Block

◆ **Tightening Cylinder Head Capscrews (Fig. 23)**

- (1) The tightening torque of the cylinder head capscrews is 54 to 58 ft.lbs. (7.5 to 8.0 kg.m). Numbers 7, 8, 11 and 13 (◆) are studs. The nuts on these studs should also be tightened to this torque.
- (2) All the capscrews must be tightened uniformly. To do this, tighten all the capscrews in the order indicated on the diagram until they are just snug. Then tighten each one (1) turn at a time in this same sequence until all have been tightened to the required torque.
- (3) The cylinder head capscrews should be re-tightened if the engine has not been used for a long time. The valve lash should also be adjusted each time the cylinder head capscrews are retorqued. If the cylinder head gasket has been replaced, run the engine for about 30 minutes and re-tighten the cylinder head capscrews as described above.

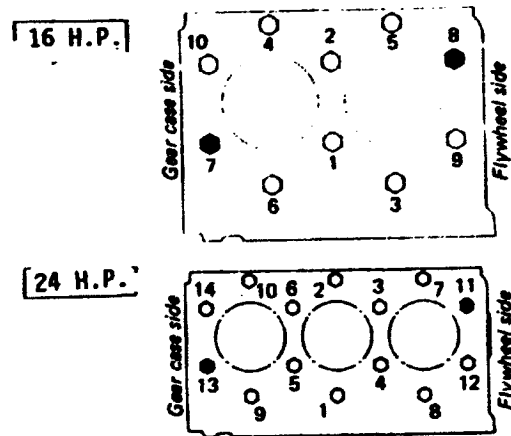


Fig. 23. Tightening of Cylinder Head Bolts

Main Moving Parts

◆ Pistons and piston rings

The pistons and piston rings are shown in Fig. 26. If the cylinder liners have been bored oversize, oversize pistons and rings must be used. The piston is made of high silicon J-Alloy and is cam ground. The top compression ring is a chrome plated keystone type, the second compression ring is discontinuous and undercut and the oil control ring is of the standard expansion type.

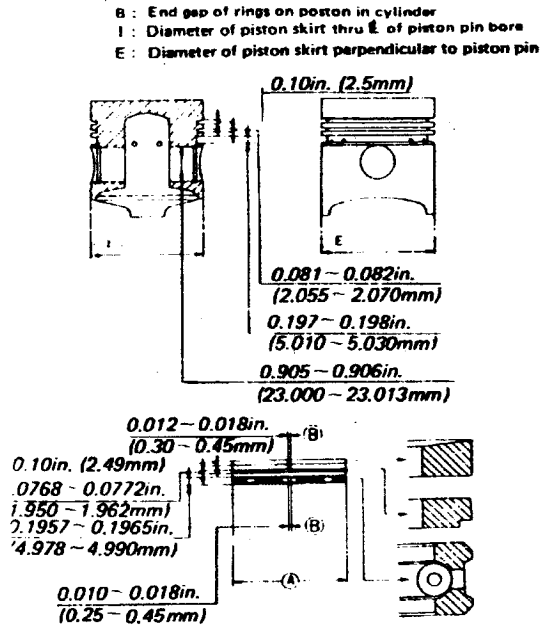


Fig. 26. Standard Dimensions of Piston and Piston Rings

◆ Crankshaft and connecting rod

- (1) The crankshaft is a heat treated steel alloy forging. The crank pins are induction hardened for additional wear resistance. Crankshaft endplay is 0.006 to 0.012 in. (0.15 to 0.31 mm).
- (2) The crankpin bearings are aluminum. When installing the connecting rods:
 - a) Clean both surfaces thoroughly.
 - b) Apply engine oil to the threads of the connecting rod capscrews before installing and tighten each to 27 to 30.4 ft-lbs. (.3.7 to 4.2 kg-rn).
 The bearing caps are matched to each connecting rod and should not be interchanged. Also, since there are variations in machining from side to side, each bearing cap and connecting rod are marked and should be assembled so that marks line up.
- (3) In the event that the crankpins become worn and are no longer serviceable, undersized bearings may be used. When installing the undersize bearings observe the following precautions:
 - a) Machine the crankpin diameter and radii to within a few thousandths of the correct dimensions and finish grind to the exact dimensions.
 - b) After finish grinding the bearing diameter and the radii, chamfer the diameter of the oil hole with an oilstone. If this is not done an oil film will not form and the bearing will seize.
 - c) The crankpin should always be super-finished to 0.000016 in. (0.0004 mm) or less.
 - d) Select the bearing from the chart that necessitates the removal of the least amount of metal from the crank-pin. Do not deviate from the chart dimensions as the bearing life will be reduced if they are machined.
 - e) To determine the running clearance, assemble the connecting rod, bearing cap and bearing as described in section 2 and measure the diameter anywhere within the 120° angle indicated in Fig. 28 and subtract the crankpin diameter from this figure.
 - f) The piston pin bushings are of lead bronze. The inside diameter of the bushing should be finished to 0.906 to 0.907 in. (23.025 to 23.040 mm).

	Standard size	Over size
A	2.992 in. (76 mm)	3.012 in. (76.5 mm)
I	2.986 - 2.987 in. (75.839 - 75.859 mm)	3.005 - 3.006 in. (76.339 - 76.359 mm)
E	2.989 - 2.990 in. (75.915 - 75.935 mm)	3.008 - 3.009 in. (76.415 - 76.435 mm)

Over size	Name of part	Mark
0.02 in. (0.5 mm)	Piston 05 Piston ring 05	05 OS 05 OS
	Cylinder liner	3.012 to 3.013 in. (76.500 to 76.519 mm) (1.2μR max. to 2μR max.) by honing.

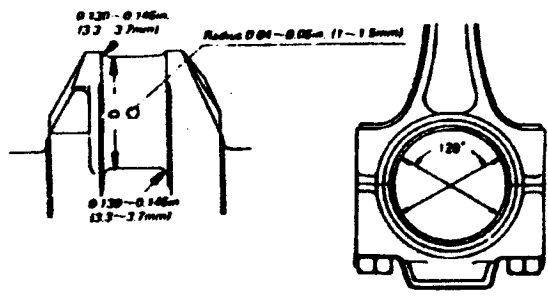
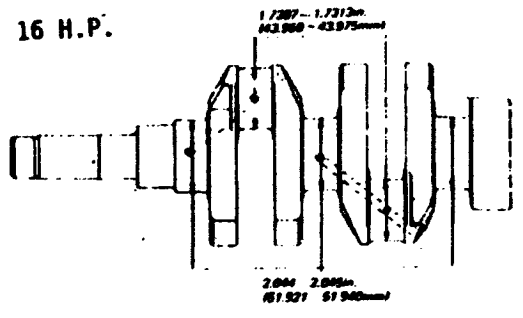
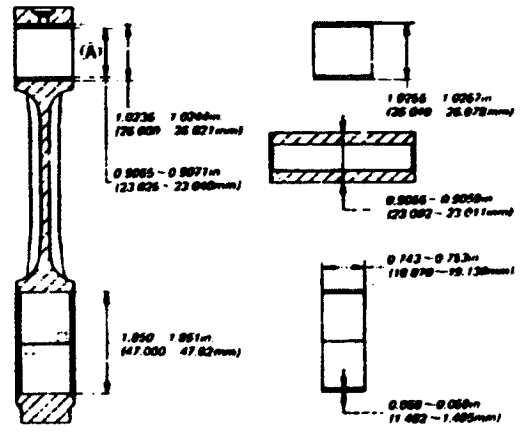
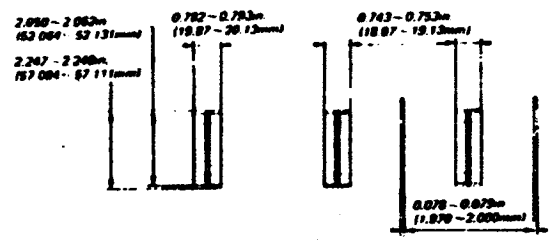


Fig. 28. Crankpin for Undersize Bearing



(A) : Diameter of piston pin bushing after installation

Fig. 29. Standard Dimensions of Connecting Rod Bearing and Bushing

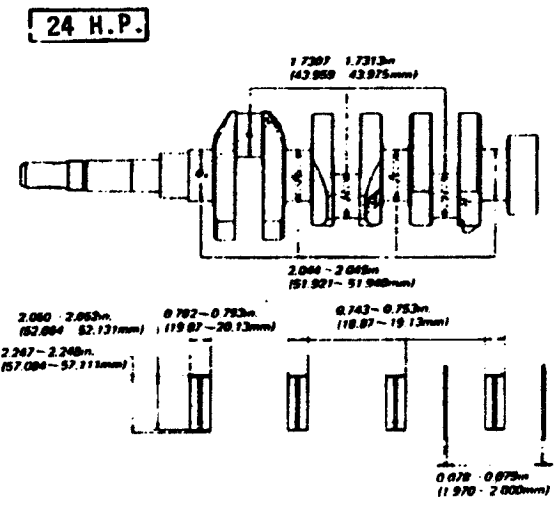


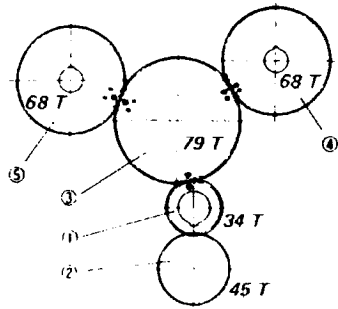
Fig. 27. Standard Dimensions of Crankshaft and Bearings

Size	Part No	Bearing	Crankpin Diameter	Metal Mark	Running Clearance in. (mm)
020		0.20 mm undersize	1.7228 to 1.7234 in. (43.759 to 43.775 mm)	020 US	0.001379 to 0.003819 in. (0.035 to 0.097 mm)
040		0.40 mm undersize	1.7149 to 1.7156 in. (43.559 to 43.575 mm)	040 US	

Main Components

◆ Gear train

Be sure to assemble the gears by matching the mating marks as shown in Fig. 30. The backlash of each gear is 0.002 to 0.005 in. (0.0415 to 0.1154 mm).



- | | |
|------------------------|-----------------------------------|
| 1. Crankshaft gear | 4. Camshaft gear |
| 2. Oil pump drive gear | 5. Fuel injection pump drive gear |
| 3. Idle gear | |

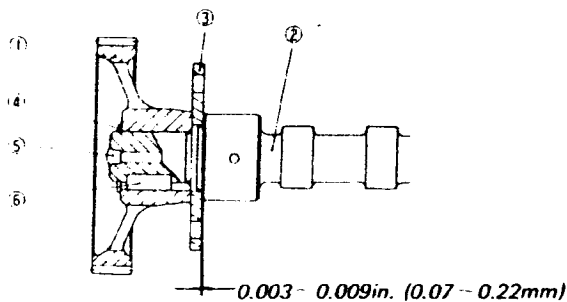
Fig. 30. Mating Marks of Gear Train

◆ Crankshaft gear

Heat to about 176° F (80° C) and slide on crankshaft. If the shaft and bore dimensions are such that the gear will not slide easily, it may be heated to a slightly higher temperature for installation.

◆ Camshaft gear

Refer to Fig. 31. Place the camshaft retainer plate on the camshaft first. Shim the camshaft retainer plate out from the camshaft 0.003 to 0.009 in. (0.07 to 0.22 mm) with shims that can be pulled out after the gear is installed. Heat the gear to approximately 176° F (80°C) and slide on the shaft until it butts against the retainer plate. Remove spacer shims. If gear will not slide on the shaft easily it too may be heated to a slightly higher temperature as described above.

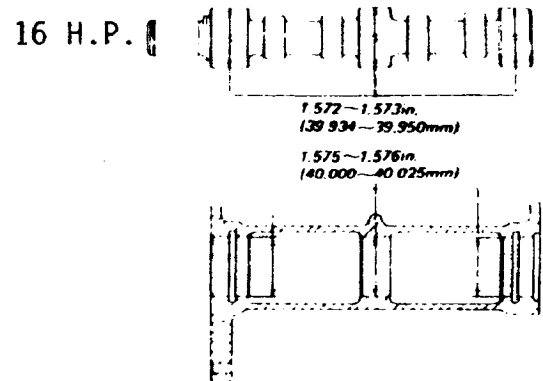


- | | |
|----------------------------|-------------|
| 1. Camshaft gear | 4. Cir-clip |
| 2. Camshaft | 5. Pin plug |
| 3. Camshaft retainer plate | 6. Key |

Fig. 31. Assembly of Camshaft Gear with Camshaft

◆ Camshaft and camshaft bearings

Standard dimensions are shown in Fig. 32. Camshaft running clearance is: 0.002 to 0.004 in. (0.05 to 0.091 mm)



24 H.P.

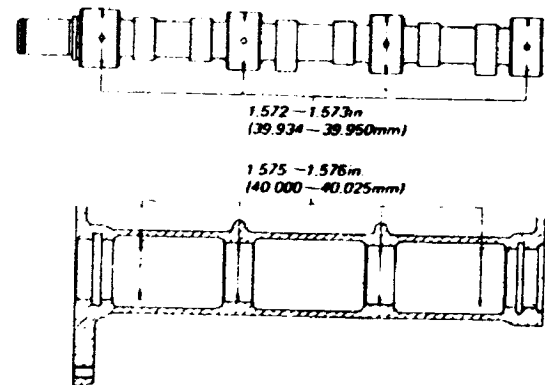
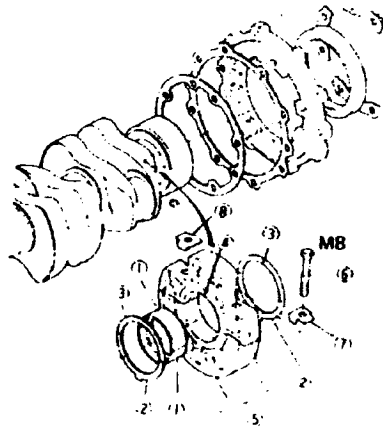


Fig. 32. Standard Dimensions of Camshaft and Bearings

◆ **Main bearing ass'y**

Insert the bearings in the main bearing housing halves as indicated in Figs. 33 & 34, using the thrust washers only on the journal nearest the flywheel. Coat the crankshaft journals and the bearing surfaces with engine oil, place the housing halves with bearings on the crankshaft, coat the capscrew threads with engine oil and tighten to 21 to 25 ft-lbs (3 to 3.5 kg-m) –M8

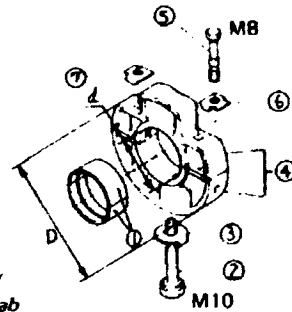


1. Bearing
2. Thrust washer
3. Thrust washer
4. Crankshaft journal
5. Main bearing
6. Cap screw
7. Locking tab
8. Locking tab

Fig. 33. Main Bearing Housing 3 with Thrust Washers

◆ **Main bearing housing**

Installation of crankshaft with main bearings in engine block. Slide the crankshaft assembly into the engine block, being careful not to nick or scrape the crankpins. After the assembly is in position make sure the oil passages are correctly lined up. Install the main bearing housing to engine block locking capscrew and washer from the side to position the housing and then install capscrew (2) from the bottom and torque to 47 to 50 ft-lbs (5.5 to 7 kg-m) – M10



1. Bearing
2. Cap screw
3. Locking tab
4. Main bearing housing
5. Cap screw
6. Locking tab
7. Locking tab

Fig. 34. Main Bearing Housing 1
Main Bearing Housing 2

	D	d	
Main bearing housing 1	5.156 ~ 5.157 in. (130.968 ~ 130.986 mm)	2.2047 ~ 2.2055 in. (56.000 ~ 56.019 mm)	16 & 24 H.P.
Main bearing housing 2	5.1956 ~ 5.1963 in. (131.968 ~ 131.986 mm)		24 H.P.
Main bearing housing 3	5.3137 ~ 5.3144 in. (134.968 ~ 134.986 mm)		16 & 24 H.P.

◆ **Idler gear**

Secure the idler gear shaft to the engine block with 3 capscrews, torque to 17 to 20 ft-lbs (2.4 to 2.8 kg-m) and bend tabs of tab washer. Install gear as shown, make sure it runs freely, has a running clearance of 0.001 to 0.002 in. (0.020 to 0.054 mm) and 0.008 to 0.020 in. (0.20 to 0.51 mm) end play.

1. Idler gear
2. Spacer
3. Retaining ring
4. Shaft
5. Bushing
6. Spacer
7. Engine block
8. Capscrew
9. Tab washer

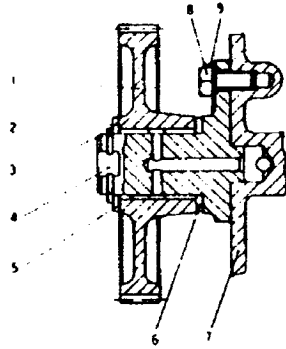
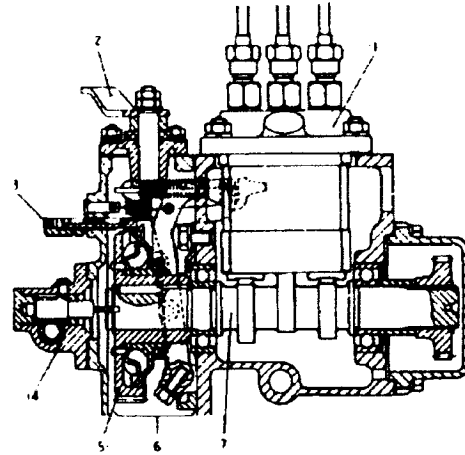


Fig. 36. Idler Gear

◆ **Injection pump camshaft**

Injection pump camshaft, Fig. 37. Install the bearings and governor unit on the camshaft and install in the engine block Hour Meter Unit, Fig. 37. Insert the "tang" on the end the hour meter drive shaft into the slot on the end of the injection pump camshaft and install as per the illustration.



- | | |
|------------------------|----------------------------|
| 1. Fuel injection pump | 5. Injection pump gear |
| 2. Speed control lever | 6. Governor system |
| 3. Fuel control system | 7. Injection pump camshaft |
| 4. Hour meter unit* | |

Fig. 37. Injection Pump Camshaft Assy

NOTE

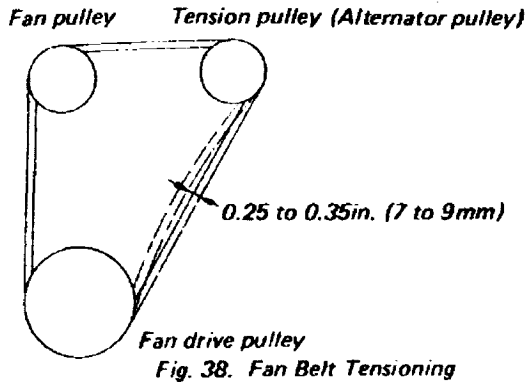
* Hour meter unit is optional parts.

◆ **Attaching flywheel to crankshaft**

Clean the entire contact surface carefully coat the contact surface with engine oil, wash all the oil off with gasoline and dry it thoroughly. Put the flywheel on and torque the capscrews to 70 to 77 ft-lbs (10 to 11 kg-m). Bend the locking tabs back on the washers.

◆ **Tensioning of fan belt**

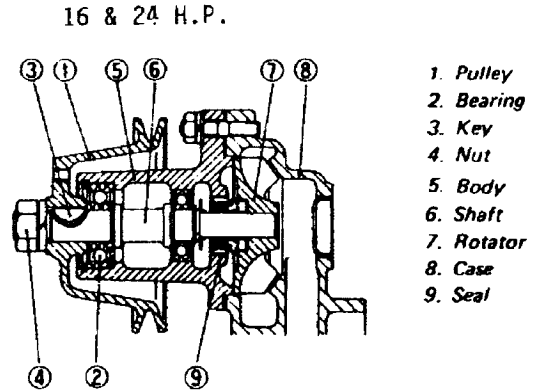
The fan belt tension is adjusted by moving the alternator bracket in or out. The belt is properly tensioned when the belt deflection midway between the alternator pulley and the crankshaft pulley is 0.26 to 0.35in. (7 to 9 mm) with a force of 20 lbs applied. Proper belt tension is essential for good engine cooling and belt life. See Fig. 38.



◆ **Cooling water pump**

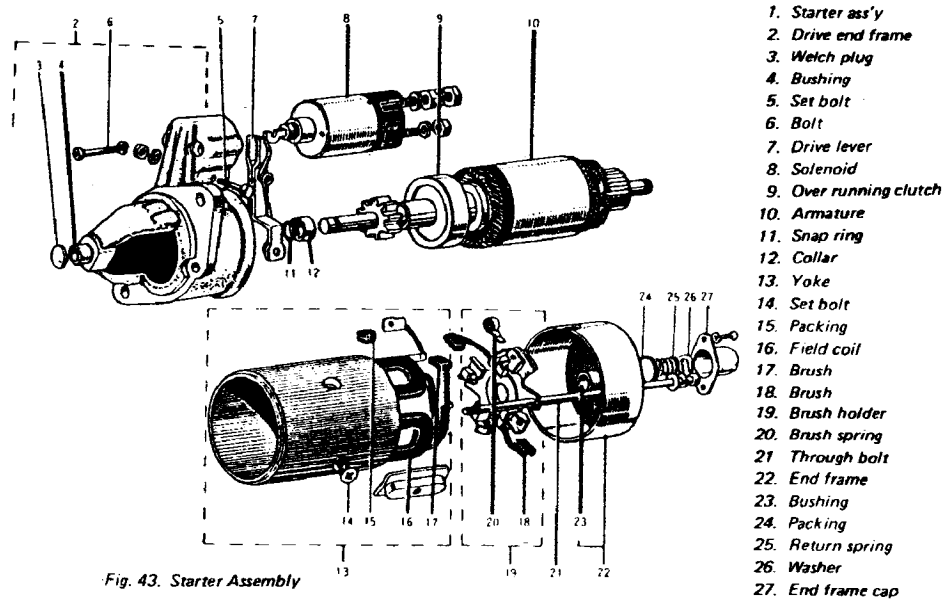
To install the cooling fan pulley on the pump securely tighten the nut (4) to 50.6 to 57.9 ft-lbs. (7 to 8 kgf-m) torque.

- (1) Rust inhibitor and antifreeze should be used in accordance with the recommendations in the related manuals.
- (2) Be sure to remove all debris that may be plugging the fins.
- (3) Check the rubber shock mount nuts periodically to be sure they are tight.



◆ **Starting Motor**

The starting motor is of the standard Bendix type drive with actuating solenoid. The assembly is shown in Fig. 43.



◆ **Starter Specifications**

	16 H.P.	24 H.P.
Code No	298783	298876
Type	Solenoid actuated with overrunning clutch	
Nominal voltage	12V	
Nominal output	0.8 kW	1.0 kW
Direction of rotation	Clockwise viewed from pinion end	

◆ **Trouble shooting**

If the battery turns extremely slow or not at all, the cause may lie in the battery, wiring or the starter. The lights are a very convenient tool for tracing the cause of the trouble.

Light method

The use of this method, of course, assumes that the lights are functioning normally.

- (1) Lights are dim
 Probable cause: Low battery, faulty contact at one of the connections, faulty wiring. If the battery remains discharged because of a malfunction in the charging system, it should be corrected before charging the battery to prevent the problem from reoccurring.
- (2) With battery fully charged:
 - a) Symptom: Lights do not light
 Probable cause: Battery terminal not properly connected.
 - b) Symptom: Lights become extremely dim when cranking the engine and starter slows down or stops.
 Probable causes.

Bad engine (rotational resistance too great)

Starter does not turn satisfactorily

Armature shaft bent

Worn bushing

Pole core screw loose

Field coil grounded or insulator short circuited

Armature coil grounded or insulator short-circuited

- c) Lights are bright but starter does not turn or hums very slowly.
 Probable causes.

Starter terminal not connected properly

Solenoid switch not making contact

Solenoid not working (coil grounded or insulator short-circuited)

Faulty starter switch contact

Insufficient brush contact

Dirty or worn commutator

◆ **Precautions in care and handling of starter motor**

- (1) The starting motor must be installed properly for the starter pinion to mesh with the engine ring gear as should. If the ring gear and pinion do not mesh properly, the pinion and starter housing may be damaged and in extreme cases, the starter may not even turn.
- (2) If the starter switch is turned on and the engine turns, but will not start, the cause is probably in the fuel system. Check the fuel lines and correct as necessary.
- (3) In attempting to start an engine, never use the starting motor for more than 30 seconds at a time without a pause to let it cool down. The starting motor heats up very rapidly when used and if it is used continuously for more than 30 seconds the solder may melt from the armature or the coil or lead wires may melt. Also, the battery will be discharged to such a degree and won't have sufficient power for another attempt at starting. A good rule to follow is to crank for 10 seconds and pause for 10 seconds. Repeat until the engine starts.
- (4) If the starting motor is too far forward, the pinion will not mesh properly with the ring gear and cause rapid pinion wear. Adjust for proper mesh.
- (5) Do not turn the starter switch while the engine is running. If this is done, the pinion gear will contact the ring gear, which is turning with the full force of the engine which may cause a broken pinion, bent shaft, broken housing, etc.

◆ **Glow Plugs**

The glow plugs are shown in Fig. 44.

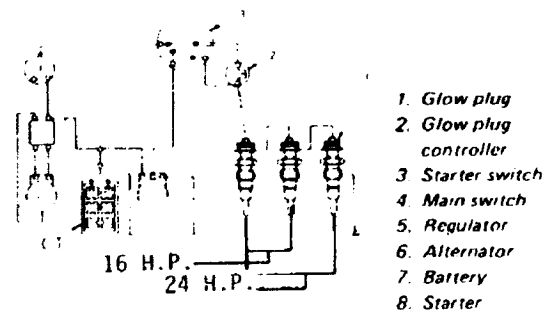


Fig. 44. Circuit Diagram for Glow Plugs

◆ **Glow Plug Specification**

	16 H.P.	24 H.P.
Code No	298795	
Number	2	3
Voltage & current	Approx 6.5 amp @ 10.5 V	

◆ **Glow Plug Controller Specification**

	16 H.P.	24 H.P.
Code No	299839	
Current	13A	20A

◆ **Precautions in handling the glow plug(s)**

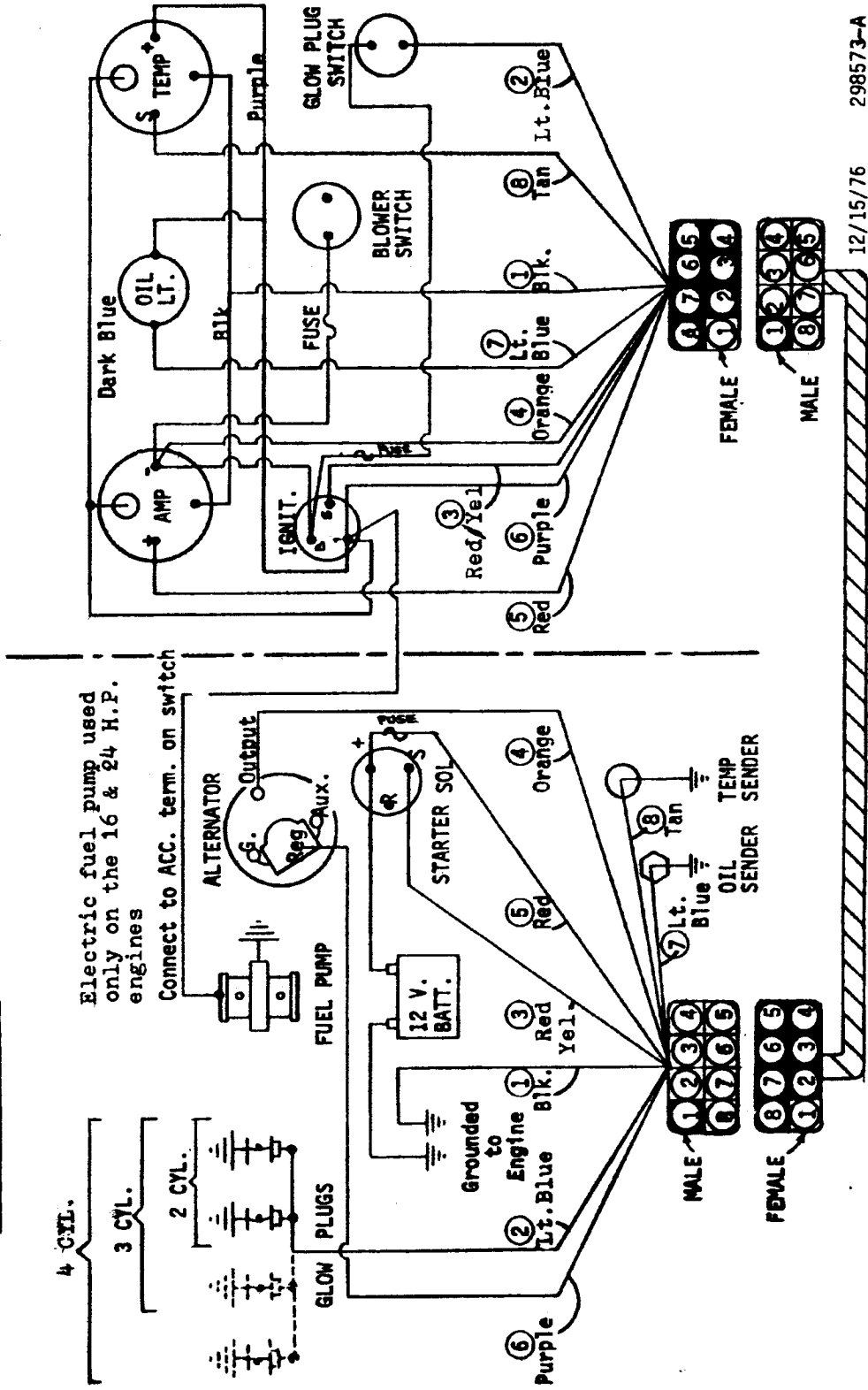
1. Use the glow plugs only with Universal glow plug controller. If any other type is used, the heating time will not match that of the glow plugs and cause hard starting and various other problems.
2. As the glow plugs are in parallel, the controller heating element will turn red even if one of the plugs is bad. However, the time it takes for the controller heating element to get hot is less, which will cause the element to burn out.
3. Replacing a faulty glow plug may not solve all the system problems. Should the failed plug indicate problems to other areas beside the plug they should be checked out also. The most probable areas are improper fuel injection timing, bad nozzle, wrong fuel, incorrect circuit connection, gas leak, etc.

(Used on instrument panel Spec. dwg. #298559-A)

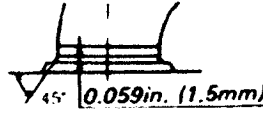

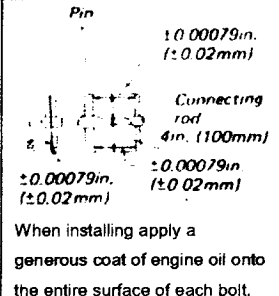
Universal Diesel

ENGINE CONNECTIONS

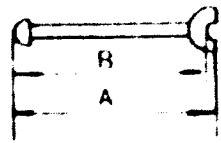
PANEL CONNECTIONS



Reference Chart


Parts	Items	Specifications	Standard Value	Maximum Limit	Remarks
Cylinder Head	Cylinder head tightness	M10 x 1.25	54.2 ~ 57.9 ft. lbs (7.5 ~ 8 kg.m)		When installing apply a generous coat of engine oil onto the entire surface of each bolt. 
	Cylinder head surface distortion		0.002 in below (0.05mm below)		
	Intake/exhaust valve seat thickness	45° 0.059 in. (1.5 mm)		0.0276 ~ 0.0354 in. (0.7 ~ 0.9 mm)	
	Top clearance				
Cylinder Liner	Standard ID – 5416 & 5424	2.9921 ~ 2.9929 in (76.000 ~ 76.019 mm)		2.9980 in. (76.15 mm)	Height above block surface ± 0.00098 in (± 0.025 mm)
	050 Oversize Liner ID	3.0118 ~ 3.0126 in (76.500 ~ 76.519 mm)			
	Piston clearance (at skirt)	0.0026 ~ 0.0041 in (0.065 ~ 0.104 mm)	E side		
		0.0056 ~ 0.0071 in (0.141 ~ 0.180 mm)	I side		
Type	Dry				
Piston	Standard OD – 5416 & 5424	2.9921 in (76 mm)			Oversize 0.020 in (0.5 mm)
	Piston-pin boss ID	0.9055 ~ 0.9060 in. (23.000 ~ 23.013 mm)		0.9071 in. (23.04 mm)	
	Piston-pin clearance		Interference Clearance 0.0004 in 0.0004 in (0.011mm) (0.011mm)		
Piston Ring	Ring gap	(top.2nd) (oil ring)	0.0118 ~ 0.0178 in (0.3 ~ 0.45 mm) 0.0098 ~ 0.0158 in (0.25 ~ 0.45 mm)	0.0492 in (1.25 mm)	0.5 oversize top ring surface should be 0.0079 in (0.2 mm) below piston side surface. above 0.0079 in (0.2 mm) 
	Top ring width	Keystone type	Ring groove clearance		
	2nd ring width	0.0768 ~ 0.0772 in (1.95 ~ 1.962 mm)	0.0037 ~ 0.0047 in (0.093 ~ 0.120 mm)		
	Oil ring width	0.1960 ~ 0.1965 in (4.978 ~ 4.99 mm)	0.0008 ~ 0.0020 in (0.02 ~ 0.052 mm)		
Piston Pin	OD	0.9056 ~ 0.9059 in (23.002 ~ 23.011 mm)			
	Pin to bush clearance		0.0006 ~ 0.0015 in (0.014 ~ 0.038 mm)	0.0059 in (0.15 mm)	
Connecting Rod	Small end ID (without bush)	1.0236 ~ 1.0244 in (26.000 ~ 26.021 mm)			
	Small end width	1.0236 in (26 mm)			
	Large end ID (without bush)	1.8504 ~ 1.8512 in (47.000 ~ 47.020 mm)			
	Large end width	1.0079 ~ 1.0118 in (25.6 ~ 25.7 mm)			
	Rod torsion (see diagram)		0.0008 in (0.02 mm)	0.002 in (0.05 mm)	
	Rod bolt torque M8 x 1	26.76 ~ 30.38 ft lbs (3.7 ~ 4.2 kg-m)			

Parts	Items	Specifications	Standard Value	Maximum Limit	Remarks	
Crank-pin metal	ID (with metal)	1.7327 ~ 1.7345 in (44.01 ~ 44.056 mm)			Center thickness 0.0583 ~ 0.0589 in (1.482 ~ 1.495 mm) Crank arm to large end clearance	
	Width	0.7429 ~ 0.7531 in (18.87 ~ 19.13 mm)				
	OD	1.85 in (47 mm)				
	Running Clearance		0.0014 ~ 0.0038 in (0.035 ~ 0.097 mm)	0.0079 in (0.2 mm)		
	Axial Clearance		0.0157 ~ 0.0236 in (0.4 ~ 0.6 mm)			
Crankshaft Main Bearing	Crankshaft journal dia	2.0441 ~ 2.0449 in (51.921 ~ 51.94 mm)) Running clearance) 0.0016 ~ 0.0041 in) (0.04 ~ 0.104 mm)	0.0079 in (0.2 mm)		
	Main bearing ID (with metal)	2.0465 ~ 2.0483 in (51.98 ~ 52.025 mm))			
	Crankshaft metal (2) width	0.7429 ~ 0.7531 in (18.87 ~ 19.13 mm))			
	Crankshaft journal dia	2.0441 ~ 2.0449 in (51.921 ~ 51.94 mm)) Running clearance) 0.0016 ~ 0.0046 in) (0.04 ~ 0.118 mm)	0.0079 in (0.2 mm)		
	Gear-side main bearing ID (with metal)	2.0465 ~ 2.0488 in (51.98 ~ 52.039 mm))			
	Crankshaft metal (1) width	0.7823 ~ 0.7925 in (19.87 ~ 20.13 mm))			
	Crankshaft metal (1) OD	2.2485 ~ 2.2474 in (57.111 ~ 57.084 mm))			
	Crank-pin journal dia	1.7307 ~ 1.7313 in (43.959 ~ 43.975 mm)			0.0047 in (0.12 mm)	When installing apply a generous coat of engine oil onto the entire surface of each bolt.
	Crankshaft side clearance		0.0059 ~ 0.0122 in (0.15 ~ 0.31 mm)			
	Crank bearing cap bolt (1) torque	M8 x 1.25	21.7 ~ 23.3 ft lbs (3 ~ 3.5 kg-m)			
Crank bearing cap bolt (2) torque	M10 x 1.25	47.0 ~ 50.6 ft lbs (6.5 ~ 7 kg-m)				
Cam Shaft	Cam bearing ID	1.5748 ~ 1.5758 in (40.000 ~ 40.025 mm)) Running clearance) 0.0020 ~ 0.0036 in) (0.05 ~ 0.091 mm)			
	Camshaft dia	1.5722 ~ 1.5728 in (39.934 ~ 39.950 mm))			
	Axial clearance		0.0028 ~ 0.0087 in (0.07 ~ 0.22 mm)			
	Cam lift	0.2165 in (5.5 mm)				
	Cam height	1.3134 in (33.36 mm)				

Parts	Items	Specifications	Standard Value	Maximum Limit	Remarks
Timing Gear	Number of teeth, crank gear	34			
	Number of teeth, idle gear	79			
	Number of teeth, cam gear	68			
	Number of teeth, injection pump gear	68			
	Number of teeth, oil pump drive gear	45			
	Backlash			0.00163 ~ 0.00454in (0.0415 ~ 0.1154 mm)	0.0118 in (0.3 mm)
Valve	Shinkage	0.0433 ~ 0.0551in (1.1 ~ 1.4 mm)			Valve guide bore should be reamed after inserting into cylinder head. When cold
	Face angle	45°			
	Intake bore	1.2953 ~ 1.3031in (32.9 ~ 33.1 mm)			
	Exhaust bore	1.0591 ~ 1.0669in (26.9 ~ 27.1 mm)			
	Stem dia	0.3134 ~ 0.3140in (7.960 ~ 7.975 mm)			
	Valve guide ID	0.3156 ~ 0.3161in (8.015 ~ 8.030 mm)			
	Stem guide clearance		0.0016 ~ 0.0028in (0.04 ~ 0.07 mm)		
	Valve clearance		0.0071 ~ 0.0087 in (0.18 ~ 0.22 mm)		
Valve Spring	Free length	1.6417 ~ 1.6614in (41.7 ~ 42.2 mm)			Load and length when installed
	Spring pressure		26.46 lbs / 1.3839in (12kg/35.15mm)		
	Perpendicularity			3%	
	Spring pressure loss when installed			15%	
Push Rod	Overall length				
	A	5.984 in (152 mm)			
	B	5.8189 ~ 5.8346 in (147.8 ~ 148.2 mm)			
	Dia	0.2323 ~ 0.2402 in (5.9 ~ 6.1 mm)			

Parts	Items	Specifications	Standard Value	Maximum Limit	Remarks
Valve Timing	Intake valve opened		At 20° BTDC		
	Intake valve closed		At 45° ABDC		
	Exhaust valve opened		At 50° BBDC		
	Exhaust valve closed		At 55° ATDC		
	Ignition process				
	5416		1-2		
	5424		1-2-3		
	Injection timing		25° ~ 26° BTDC		
Oil Pump	Trochoid tooth width				Use engine oil CD(DS)
	5416	0.5866 ~ 0.5874 in (14.90 ~ 14.92 mm)			Above 77° F (25°C) , SAE 30
	5424	0.8622 ~ 0.8630 in (21.90 ~ 21.92 mm)			Between 32° ~ 77° F (0° ~ 25°C) , SAE 20
	Outer Rotor OD	1.9669 ~ 1.9685 in (49.96 ~ 50.00 mm)			
	Trochoid to body clearance		0.0035 ~ 0.0063 in (0.09 ~ 0.16 mm)		Below 32° F (0°C) , SAE 10W, 10W-30
	Trochoid to body side clearance		0.0039 ~ 0.0059 in (0.10 ~ 0.15 mm)		
	Oil pressure		64 ~ 71 psi (4.5 ~ 5 kgf/cm ²)		
Pump capacity					
5416		4.2 gal/min (16 ℓ/min)		At pump 2,116 rpm	
5424		5.8 gal/min (22 ℓ/min)		At pump 2,000 rpm	
Fuel Injection Pump	Model		NP-PFR3K55/2NP2		
	Injection pressure		1990 psi (140 kgf/cm ²)		
	Pump plunger dia		0.2165 in (5.5 mm)		
	Pump Stroke		0.2756 in (7 mm)		
	Pump discharge		0.0013 ~ 0.0015 in ³ /rev (23 ± 1 mm ³ /rev)		
Injection Nozzle	Model		ND-DN12SD12		
	Injection pressure		1990 ~ 2133 psi (140 ~ 150 kgf/cm ²)		

Parts	Items	Specifications	Standard Value	Maximum Limit	Remarks
Cooling Water System	Cooling system 5416 5424	Natural Circulation Forced Circulation			With pressurized radiator (corrugated)
	Water Pump (Z751-BW and DH1101-B)	Centrifugal pump with thermostat (impeller)			
	Gear case to impeller clearance		0.0232 ~ 0.437 in (0.59 ~ 1.11 mm) (Packing thickness)		Water temperature 80 °C Total lift 19.34 psi (1mAg)
	Circulation flow rate (Z751-BW and DH1101-B)		26.4 gal/min (100 ℓ/min) or more		
	Impeller dia (Z751-BW and DH1101-B)	2.634 ~ 2.642 in (66.9 ~ 67.1 mm)			Pump speed 3450 ~ 3550 rpm * No pump for Z751B and Z851B
	Thermostat actuation temperature (Z751-BW and DH1101-B)	179.6 ~ 203 °F (82 ~ 95 °C)			
	Radiator cap pressure		12.8 psi (0.9 kgf/cm ²)		
	Fan belt length 5416 5424	HM 40.55in (1030 mm) HM 41.50in (1054 mm)	In perimeter In perimeter		
Battery	Model 5416 5424	12v 70ah 12v 80ah			NS70, dry N70Z, dry
	Electrolyte specific gravity, discharge charge overdischarge	1.120 1.280 1.30	(68°F, 20°C)		
	Voltage	12v			Alternator
	Current	20A			
Dynamo	Check interval	Every 1000 hours			Insulation resistance
	Brush spring pressure		12.8 psi (0.9kgf/cm ²)	± 15%	
	Insulation resistance				No failure at 500MV
	Constant voltage		13.8 ~ 14.8 V		
Voltage Regulator	Current		10A		
	Cut-in voltage		12.5 ~ 13.5 V		

Parts	Items	Specifications	Standard Value	Maximum Limit	Remarks
Starter	Number of teeth, pinion	9			No failure at 500MV Insulation resistance Nominal value
	Number of teeth, ring gear	89			
	Insulation resistance				
	Check interval	Every 1000 hours			
	Output 5416 5424	0.8kW 1.0kW			
Important Bolt Torque	Head set bolt and nut	M10 x 1.25	54.2 ~ 57.9 ft.lbs (7.5 ~ 8 kgf-m)		Apply a generous coat of engine oil onto the entire surfaces of all important set bolts.
	Flywheel set bolts	M12 x 1.25	72.3 ~ 79.6 ft.lbs (10 ~ 11 kgf-m)		
	Crankshaft main bearing set cap bolts	M10 x 1.25	47.0 ~ 50.6 ft.lbs (6.5 ~ 7 kgf-m)		
	Crankshaft cap bolts	M8 x 1.25	21.7 ~ 25.3 ft.lbs (3 ~ 3.5 kgf-m)		
	Rocker bracket set studs	M8 x 1.25	17.4 ~ 20.3 ft.lbs (2.4 ~ 2.8 kgf-m)		
	Rod bolts	M8 x 1	26.8 ~ 30.4 ft.lbs (3.7 ~ 4.2 kgf-m)		
Bolt Torques	General set bolts and studs	M12	57.1 ~ 66.5 ft.lbs (7.9 ~ 9.2 kgf-m)		All these torques are applied to those S45C bolts and studs which have relief number "7" or punch marks. 
		M10	35.4 ~ 41.2 ft.lbs (4.9 ~ 5.7 kgf-m)		
		M8	17.4 ~ 20.3 ft.lbs (2.4 ~ 2.8 kgf-m)		
		M6	7.2 ~ 8.3 ft.lbs (1.0 ~ 1.15 kgf-m)		

Bolt Torques

(Units: kgf/cm)

Material Grade	Standard Bolts		Special Bolts		Special Bolts	
	SS41, S20C		S43C, S48C (Refined)		SCR3, SCM3 (Refined)	
Nominal Dia						
M 6	5.8 N ~ 6.9	6.9 N ~ 10.0	7.2 N ~ 8.4	11.0 N ~ 13.0	9.0 N ~ 10.5	11.2 N ~ 13.0
M 8	12.0 N ~ 14.2	15.0 N ~ 21.0	17.4 N ~ 20.4	22.4 N ~ 28.0	21.2 N ~ 25.2	23.0 N ~ 27.0
M10	20.0 N ~ 24.2	25.0 N ~ 35.0	28.4 N ~ 33.2	34.0 N ~ 42.0	34.0 N ~ 42.0	36.2 N ~ 42.0
M12	36.3 N ~ 54.5	45.0 N ~ 63.0	52.1 N ~ 60.0	62.0 N ~ 72.0	59.0 N ~ 69.0	63.0 N ~ 72.0
M14	70.6 N ~ 92.8	87.0 N ~ 120.0	91.1 N ~ 105.0	112.0 N ~ 132.0	109.0 N ~ 129.0	117.0 N ~ 132.0
M16	127.0 N ~ 161.0	150.0 N ~ 210.0	164.1 N ~ 185.0	200.0 N ~ 240.0	195.0 N ~ 235.0	206.0 N ~ 240.0
M18	180.0 N ~ 200.0	210.0 N ~ 270.0	202.5 N ~ 230.0	280.0 N ~ 320.0	274.2 N ~ 290.0	290.0 N ~ 320.0
M20	240.0 N ~ 280.0	300.0 N ~ 400.0	271.2 N ~ 300.0	370.0 N ~ 430.0	361.8 N ~ 410.0	380.0 N ~ 430.0

Bolt material grades are shown by numbers punched on the bolt heads.
 Prior to tightening, be sure to check out the numbers as shown below.

Punched Number	Bolt Material Grade
None	Standard Bolts SS41, S20C
7	Special Bolts S43C, S48C (Refined)
8	Special Bolts SCM 3, SCR 3 (Refined)