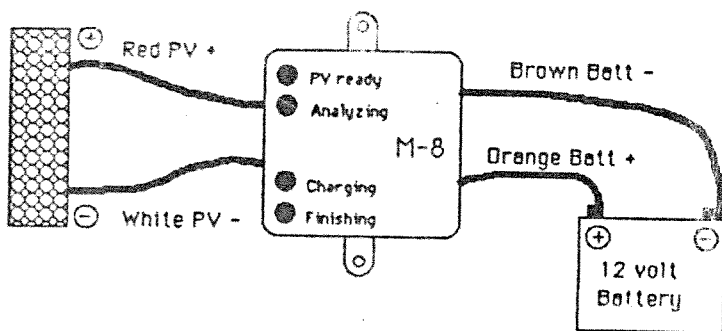


## M-8 and M-16 Installation

1. Mount controller to any convenient surface indoors or out. The unit may be mounted in a protective inclosure if desired, although it is unnecessary. An appropriate plastic enclosure is available from Sun Selector.



- 2 Connect brown wire to battery -
- 3 Connect orange wire to battery +
- 4 Connect white wire to PV- (or other supply -)
- 5 Connect red wire to PV + (or other supply +)
- 6 Use wire nuts or electrical tape to insulate all connections
- 7 Solder all connections for permanent outdoor installations in lieu of wire nuts.

Call Sun Selector @ tech support line  
1-800-222-3988 for application assistance

**Bobier Electronics Inc.**

PO Box 1545 512 37th St.  
Parkersburg, WY 26101 304-485-6306  
Copywrite 1988