

OPERATOR'S MANUAL

SAFETY INSTRUCTIONS

for **ORIGO Alcohol Range** model 6000, 6100 and 6200.

WARNING!

WATER OR A CLASS A FIRE EXTINGUISHER WILL PUT OUT AN ALCOHOL FIRE.

SPECIAL SAFETY SECTION

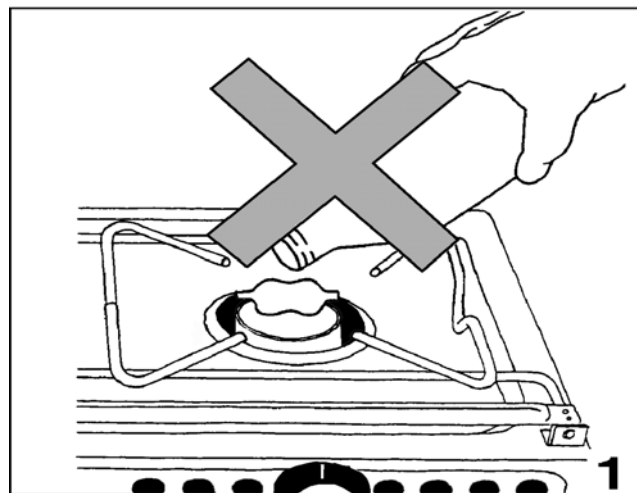
Carefully read and understand these instructions before operating your **ORIGO** range. Save these instructions and review them periodically.

Fuel Safety.

1. Use only denatured alcohol. Never use gasoline, kerosene, methanol, propane, charcoal lighter, diesel or other flammable substances or fuels. Uncontrollable operation and flare-ups can result and cause serious burns or personal injury.
2. Store fuel in an approved container away from the range, the engine or other heat source.
3. Eliminate all sources of sparks or flames in the area where fuel is poured or stored.
4. Do not smoke while working with fuel.
5. Wipe up immediately any spilled fuel.

Filling and Lighting Safety.

1. **Do not attempt to fill fuel tanks while they are still in range.** Overfilling, spillage, or hot surfaces can cause serious burns and fires.
2. Never pour fuel through burner openings in top of range. (Picture 1)
3. Remove fuel tanks from range by carefully following instructions.
4. Move fuel tanks to a safe area away from all sparks, flames, or other heat sources before filling with fuel.
5. Make sure tanks are cool enough to be held in your bare hand before filling with fuel.
6. **Fuel may burn with almost invisible flame.** Make sure that flame and heat-glow are extinguished before filling the tanks. Flame or heat-glow can cause alcohol fire, resulting in serious burns and personal injury.
7. Do not overfill tanks. Filling instructions must be followed closely. Check the fuel by tilting the tank vertically (Picture 5). In this position, maximum fuel level occurs when fuel just begins to show in the recess inside the tank opening. Alcohol expands when heated. If the tank is overfilled, the surplus will overflow into the stove cavity and can cause uncontrollable burning.
8. Wipe tanks to remove any excess fuel before replacing tanks in the range.
9. Light burners by holding a lit match or long lighter at the tank opening through the burner opening. As soon as the burner ignites, quickly remove hand to avoid burning your fingers. An **ORIGO** lighter is recommended.



Installation and Maintenance Safety.

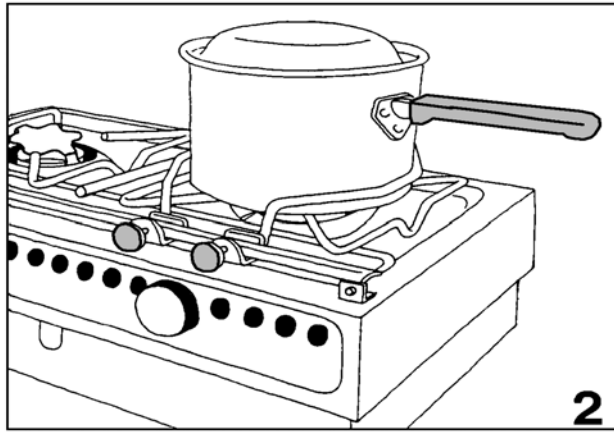
1. Place range in a well-ventilated area away from all combustible material. Excessive draft must be avoided.
2. Do not hang or place towels, papers, curtains or other combustibles near an installed range.
3. Keep all surfaces and interior parts free of grease, alcohol or other flammable substances.
4. To be sure of safe function of your **ORIGO** stove, do not use an oversize pot. Max. recommended pot diameter: 9"(230mm)
5. Make sure the appliance is securely in position when in operation as well as when not in use.

General Safety.

WARNING!

BE EXTREMELY SAFETY CONSCIOUS AS WITH ANY APPLIANCE THAT OPERATES WITH AN OPEN FLAME. INSTRUCTIONS MUST BE FOLLOWED CLOSELY TO AVOID SEVERE BURNS OR CREATING A FIRE HAZARD.

1. Make sure the range is installed correctly. Installation instructions are included with the product. Repairs must be made by qualified service personnel. Ask your dealer to recommend qualified personnel.
2. Wear proper clothing when operating the range. Never wear loose fitting or hanging garments as such can catch on fire.
3. Use **ORIGO** potholders to clamp pots to grate on the stove if there is any risk of motion while the stove is in use. Unsecured pots can shift or fall resulting in dangerous spills, which can cause serious burns. (Picture 2)



4. Allow all stove parts to cool to room temperature before touching or removing from the stove. When the burners are turned off, parts are still hot enough to cause serious burns for some time.
5. Know which knob controls which burner. Always turn to the full open position when igniting the burners. Then adjust the flame so it does not extend beyond the edge of the pot. Turn burner to "0" before removing the pot.
6. Never allow pot handles to extend beyond the edge of the stove. Turn pot handles inward, but not extending over other burners or so they are tilted when the stove moves, if gimbals are used. These precautions will help minimize the possibility of spillage, ignition of flammable materials, and/or serious burns.
7. Watch closely when heating fat or grease. Fat or grease will catch on fire if allowed to become too hot.
8. Avoid grease fires by cleaning after each use to keep all parts free of grease, particularly the area around the burners.
9. Never leave children alone or unattended in the area where the range is in use. Never allow a child to sit or stand on or play with any part of the range. As children grow, teach them proper, safe use of all appliances.
10. Do not store items of interest to children in cabinets above or to the side of a range. Children climbing on or around the range to reach such items can be seriously injured.
11. Never use the range to heat or warm the cabin.
12. Use dry potholders only when handling a pot. Wet or damp potholders used on hot surfaces can result in steam burns. Do not allow the potholder to touch heating areas. A towel or bulky cloth used instead of a potholder can catch on fire.
13. Never leave the stove unattended while the burners are in operation. Boilovers can cause excessive smoke; greasy spillovers can cause fires; and a pan that has boiled dry can melt or crack.
14. Do not allow clothing or other flammable materials to come close to areas near the burners, or to the interior surfaces of the oven until they have had sufficient time to cool.
15. Do not place plastic items such as salt and peppershakers, spoon holders, wrappings or other utensils on top of the stove when it is in use as these can melt or ignite. Potholders, towels, or wooden spoons will catch on fire if allowed to come too close to a flame.
16. Do not store flammable materials in the oven or near the burners. Keep the range free of all flammable materials.
17. Never modify or alter the construction of the range including removal of panels, wire covers, or any other permanent part of the product.

WARNING!
OPEN FLAME COOKING APPLIANCES CONSUME OXYGEN, THIS CAN CAUSE ASPHYXIATION OR DEATH. MAINTAIN OPEN VENTILATION.

INSTRUCTIONS

This model of ORIGO range is equipped with non-pressurized alcohol burners. Alcohol is absorbed into the tanks in a non-flammable material. This unit is not equipped with valves, which can develop leaks, or with other components requiring regular service, making safer and easier to maintain units.

WARNING!
SAFETY PRECAUTIONS ARE REQUIRED AS ALWAYS WHEN WORKING WITH AN EXPOSED FLAME. CAREFULLY READ AND UNDERSTAND ALL INSTRUCTIONS BEFORE USING YOUR NEW ORIGO RANGE.

Location of your ORIGO Range.

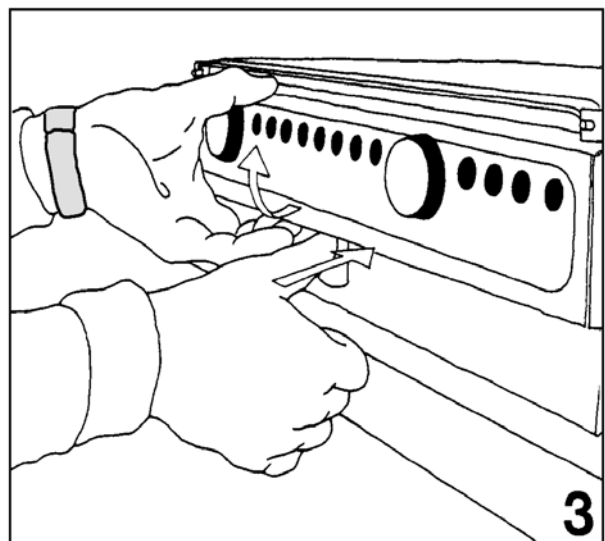
Your range must be located in a well-ventilated space.

- Avoid excessive draft.
- Locate so that maximum protection against wind is obtained if the range is to be used in an open cockpit or other open area.
- 6000 and 6200: Mount the range as far away from combustible materials as possible, but min. 100 mm from back wall.
- 6100: Cut-out measurements (W x H x D) 490x530x400 mm.

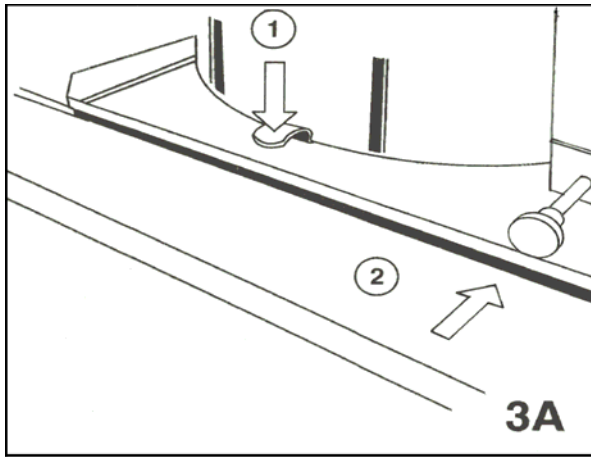
Filling the Fuel Tanks.

The fuel tanks must be lifted out of the stove/oven and moved away from open flames or hot objects before filling with fuel.

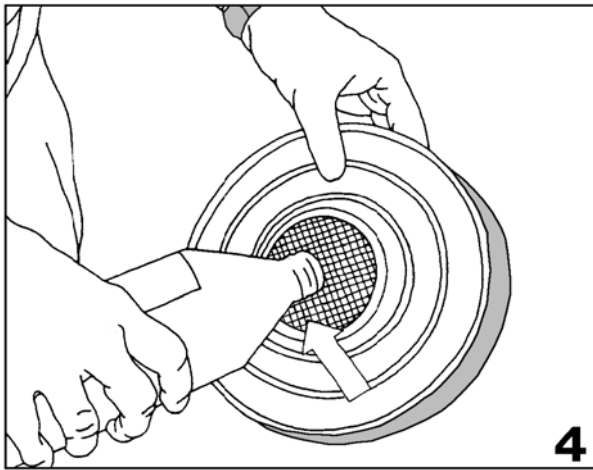
- Make sure all burners are turned off.
- Allow the range to cool to room temperature.
- Open stove this way: Pull the forward lower edge of the stovetop slightly forward, while simultaneously pressing the catch. (Picture 3)



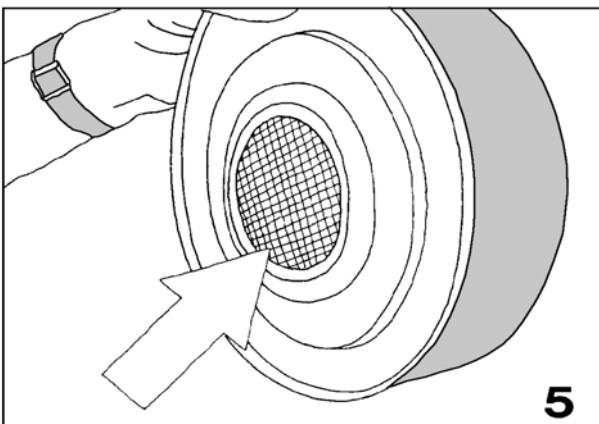
- Open oven this way: Open burners lid, push the knob (2), while pressing the catch (1). (Picture 3A)
- Make sure that flames are completely extinguished and that there is no heat-glow on top of the tanks, and then lift out fuel tanks.



- Hold each tank (one at a time) as shown (Picture 4) with the recess pointing down, then pour alcohol directly into the opening covered by wire mesh. Maximum capacity from empty to full is 1 quart.
- Check fuel level by tilting the tank on its side vertically as shown. (Picture 5)



- Hold in this position a few moments. When fuel is visible



in recess, tank is filled to maximum recommended level.

Do not overfill.

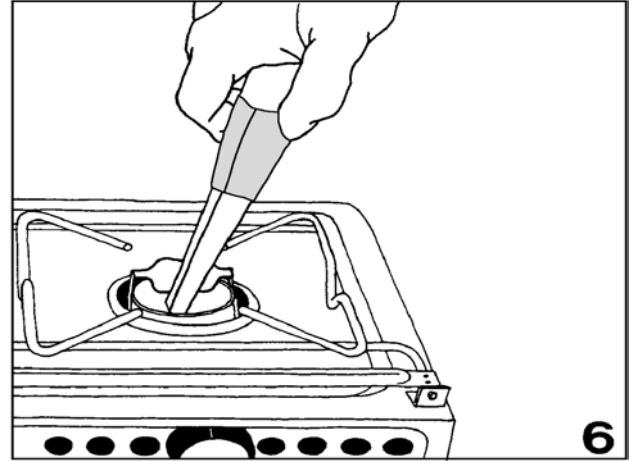
- Wipe tank dry and replace tank in stove making sure it is fitted properly in the mounting.
- Closing stove: Knobs in 0 position, otherwise top will not fold! Fold down the stove top, the catch will lock. (Make certain that the regulating plates cover the burner openings so that stovetop is level.)
- When reinserting the tank into oven compartment, check that it is in the right position and that the catch (1) has engaged. (Picture 3A)

NOTE: It is not necessary to fill tank completely to operate. Range will operate with less than maximum capacity of fuel.

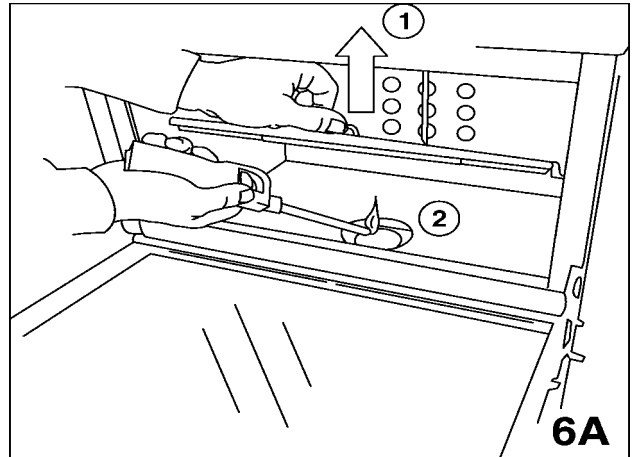
To Light the Alcohol Burner.

An ORIGO lighter is recommended for lighting purposes.

- Stove: Turn knob to the maximum position to open the burner. Place a long match or long butane lighter at tank opening. (Picture 6)



- Oven: Turn knob to the maximum position to open the burner. Open the oven door; lift the bottom lid (1) and light at tank opening (2). (Picture 6A)



NOTE: If stove/oven is warm from previous use, burner may ignite, then immediately go out. In this event, blow down into the burner opening to dissipate vapor and relight as above.

To Extinguish the Alcohol Burner.

- Turn knob all the way to "0".
- Wait a moment, then turn burner back towards "Max" to make sure flame is out.
- Turn knob to "0" again.

Gaskets.

The stove is equipped with a rubber gasket for each fuel tank. Gaskets are to be installed when the stove will not be operated for a period of time and will protect against alcohol evaporation.

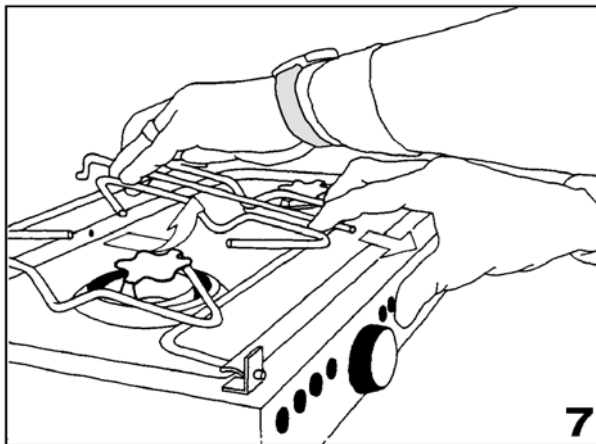
To install:

- Open stovetop and make sure all parts are cool.
- Place the gaskets over the tank openings. The rubber gasket is not used with the oven burner.

- Fold down the stovetop to horizontal position and open the burners to lock the top in closed position.

Cleaning.

- Remove the grate for easy cleaning. (Picture 7)



INSTALLATION.

WARNING!

PLACE UNIT IN A WELL-VENTILATED AREA AWAY FROM ALL COMBUSTIBLE MATERIALS. INSTALL A CLASS B-1 FIRE EXTINGUISHER IMMEDIATELY AT HAND.

Fitting of the Range.

Your range should be located in a well-ventilated space. Avoid excessive draft. If you fit in an open cockpit, or other open area, wind protection must be provided.

The range shall be installed in accordance with national regulations. In USA it is advisable to follow the ABYC recommendations.

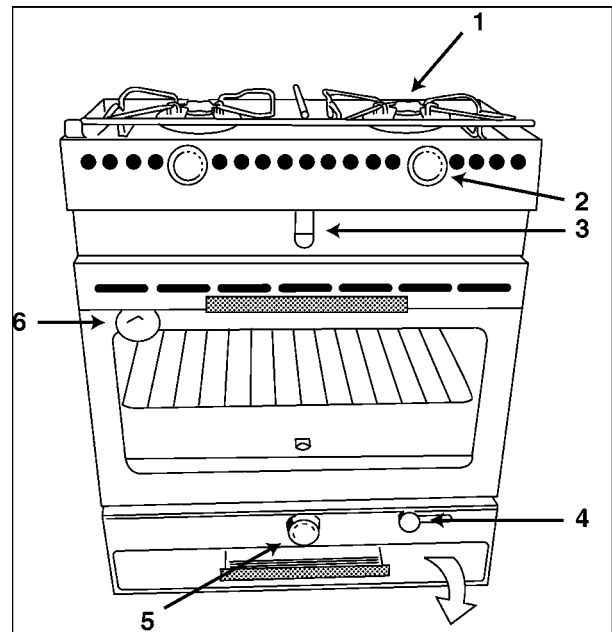
Model 6100 built-in oven is installed according to the cut-out measurements (WxHxD) 490 x 530 x 400 mm. Models 6000 and 6200 are delivered with gimbals. First determine the best position for the pivot points. This can be done by placing the range in the desired position, open the stove top and mark through the holes in the gimbal sideplates. Remove the range; fasten the pivot arms with fibre washers and screws removed. Fit one fibre washer with round hole on each pivot and lift the range from below up between the pivots so that the gimbal side plates will spring into place on the pivots.

With open stovetop fit the fibre washers with oblong holes, make certain they fit properly on the pivots so they can't rotate. Fit steel washers, screws and tighten. Adjust the tension of the screws to desired friction.

At the back of the range there is an outlet for hot air. A clearance of 4 inches to the fittings behind is required. Be sure you have ample room to swing the gimballed range.

Description.

1. Stove top burner opening
2. Stove top regulator knob
3. Catch stove top
4. Swing locking device
5. Oven burner regulator knob
6. Oven thermometer



Technical Data.

Height: approx. 21 1/2" (545mm) excl. cooking grid
 Width: approx. 18 1/4" (464mm)
 approx. 20 1/16" (510 mm) incl. gimbals
 Depth: approx. 13 3/16" (335mm)
 Tank volumes: approx. 2,5 pints each (1,2 L)
 Fuel: Denatured alcohol, Methylated spirit

Optional extras
 Potholders

DOMETIC AB
 Internet www.dometic.com
 Phone +46 35 165700
 Fax +46 35 165710
 Olofsdalsvägen 15
 SE-302 41 Halmstad, Sweden

Dometic Environmental Corporation
 2000 N. Andrews Avenue Ext.
 Pompano Beach, FL 33069, USA
 Phone: (954)973-2477
 Fax: (954)979-4414