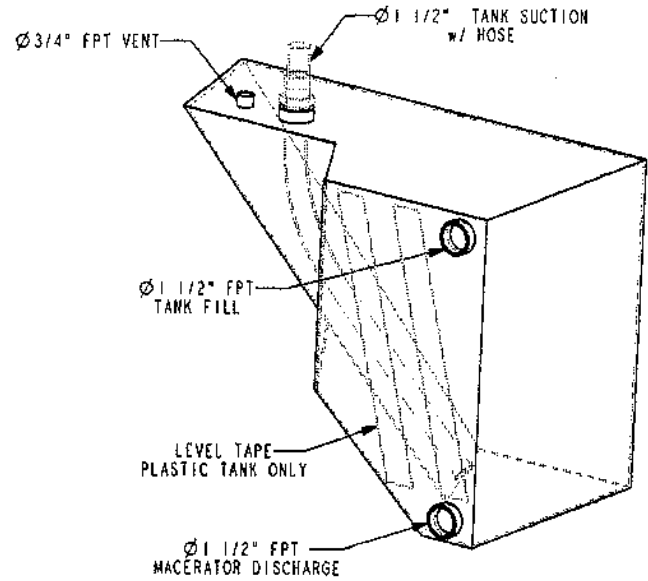
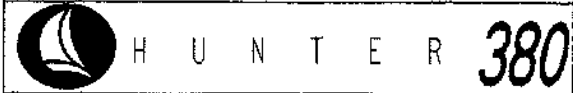


SYMBOL	REVISIONS	DATE	ENG



380 WASTE TANK
 NOTES: SCALE=0.125
 1. MATERIAL: ROTO-MOLD PLASTIC
 2. ALL DIMENSIONS ARE INCHES AND DEGREES
 3. BREAK AND DEBURR ALL EDGES

PROPRIETARY INFORMATION: THIS DRAWING CONTAINS INFORMATION FOR WHICH PUMPER-NATIVE CORPORATION HAS PROPRIETARY RIGHTS.



DRAWING TITLE: 380 WASTE TANK			
DRAWN BY: GENE	DATE: 04 Jun 01	SHEET 1	OF 1
SCALE: 0.125	HUNTER PART NO. TBD	REVISION -	DRAWN BY 38050002

CHECKED: