

OCR10-M63602EN

# Introduction

1. This parts catalog contains the previous information on the 4JH4-TE, 4JH4-HTE as well as the new one on the 4JH4-HTE1.

	Parts catalog No.	Date of issue	Remarks
First edition	000Y00R6360	Dec. , 2005	No need
1st edition(supplement)	000Y00R6361	Aug. , 2006	No need
2nd edition(supplement)	OCR10-G63602	Apr. , 2012	

2. Standard finish color. Yanmar ecote silver Metallic
- |           |              |                      |
|-----------|--------------|----------------------|
| Parts No. | 977620-10070 | 1L (Packed in a can) |
| Parts No. | 977620-40070 | 4L (Packed in a can) |
| Parts No. | TOR-90090003 | Spray (1 piece)      |
3. This parts catalog does not contain the technical data needed for maintenance service.
4. The illustrations used in this parts catalog have been simplified for clarity.
5. The contents of this parts catalog are subject to change without notice.
6. Be sure to use only Yanmar genuine part for repairs. If imitation parts are used, it may cause engine defects.

# Contents

OCR10-M63602

Fig. No.	Fig. Name	Fig. No.	Fig. Name
4JH4-TE/HTE/HTE1		25.	COOLING SEA WATER STRAINER(OPTIONAL)
1.	CYLINDER BLOCK	26.	BILGE PUMP(STD/OPTIONAL)
2.	GEAR HOUSING	27.	BILGE PUMP(DX/OPTIONAL)
3.	FLYWHEEL HOUSING	50.	(27A)BILGE PUMP(OPTIONAL)
4.	MOUNTING FOOT	28.	FUEL INJECTION PUMP
5.	LUB.OIL SUMP	29.	FUEL INJECTION VALVE
6.	LABEL	30.	FUEL INJECTION PIPE
7.	CYLINDER HEAD	31.	FUEL PIPE & FUEL STRAINER
8.	BONNET	32.	FUEL TANK(OPTIONAL)
9.	SUCTION MANIFOLD	33.	CABLE SUPPORT
10.	MIXING ELBOW	34.	CLUTCH
11.	TURBOCHARGER(4JH4-TE)	35.	COUPLING(OPTIONAL)
12.	TURBOCHARGER(4JH4-HTE/HTE1)	36.	STARTING MOTOR
13.	AIR COOLER	37.	GENERATOR(12V-80A)(HITACHI: TO JAN., 2013)
14.	CAMSHAFT & DRIVING GEAR	53.	(37A)GENERATOR(12V-120A)(VALEO: FROM FEB., 2013)
15.	CRANKSHAFT & FLYWHEEL	38.	GENERATOR(12V-60A/OPTIONAL)
16.	PISTON & CONNECTING ROD	39.	V-BELT COVER
17.	LUB. OIL SYSTEM	40.	V-BELT COVER & GENERATOR ATTACHMENT PART(OPTIONAL)
18.	LUB. OIL PIPE	41.	GENERATOR(ADDITION) & GENERATOR ATTACHMENT PART(OPTIONAL)
19.	COOLING SEA WATER PUMP	42.	WIRE HARNESS & SENSOR
20.	COOLING FRESH WATER PUMP	43.	INSTRUMENT PANEL(B-TYPE/OPTIONAL)
21.	COOLING FRESH WATER COOLER	44.	INSTRUMENT PANEL(C-TYPE/OPTIONAL)
22.	COOLING SEA WATER PIPE(4JH4-TE)	45.	TOOL
23.	COOLING SEA WATER PIPE(4JH4-HT/HT1)	46.	GASKET SET(OPTIONAL)
24.	COOLING FRESH WATER PIPE	47.	INSTRUMENT PANEL(B-TYPE/KEYLES/OPTIONAL)

# Contents

OCR10-M63602

Fig. No. Fig. Name

48. INSTRUMENT PANEL(C-TYPE/KEYLES/OPTIONAL)

49. S2 DRIVE(OPTIONAL)

51. INSTRUMENT PANEL(B20)(MEDALLION: FROM JAN., 2012)

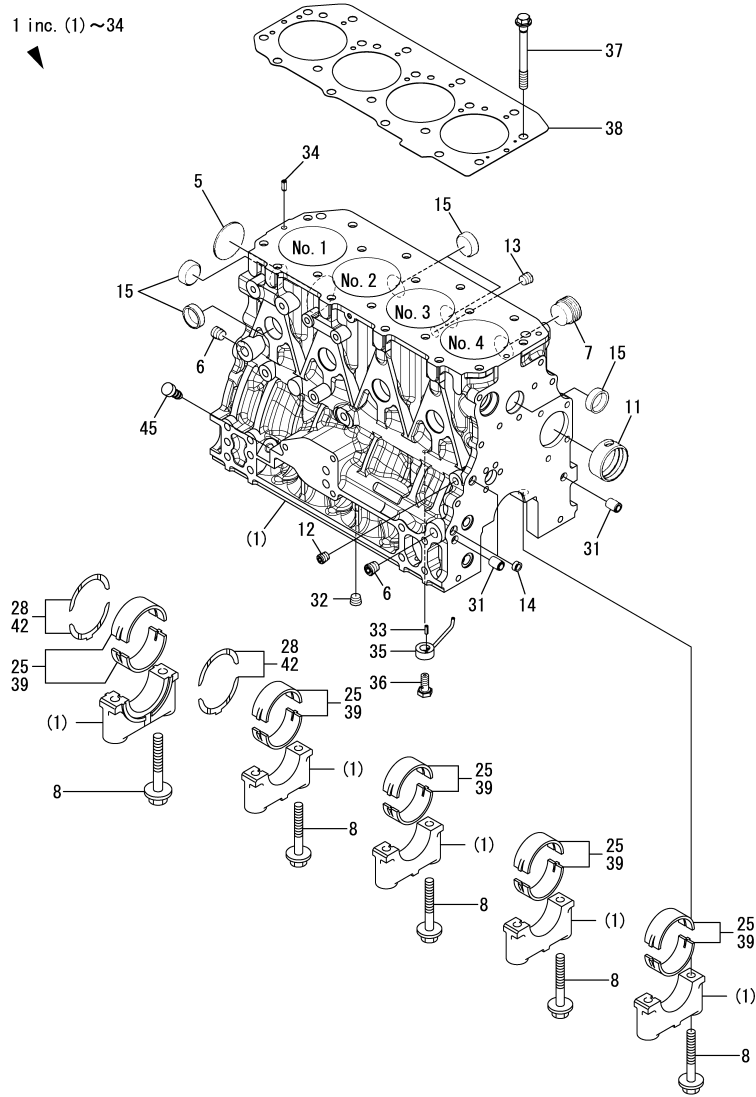
52. INSTRUMENT PANEL(C30)(MEDALLION: FROM JAN., 2012)

Fig. No. Fig. Name

Fig.1. CYLINDER BLOCK

(A)=4JH4-TE  
(B)=4JH4-HTE  
(C)=4JH4-HTE1

(D)=  
(E)=  
(F)=



No.	Lev.	Parts No.	Description	Qty						I	R
				(A)	(B)	(C)	(D)	(E)	(F)		
1	1	729671-01560	BLOCK ASSY, CYLINDER	1	1	1					
5	3	129001-01250	PLUG, 50	1	1	1					
6	3	124160-01910	PLUG, PT1/4	2	2	2					
7	3	171051-01921	PLUG, NPTF1	1	1	1					
8	3	129150-02020	BOLT, METAL CAP	10	10	10					
11	3	129795-02411	BUSH, CAMSHAFT	1							
11-1	3	129795-02412	BUSH, CAMSHAFT	1	1	1					N
(A=*2006.06)											
12	3	23876-010000	PLUG, R01	1	1	1					
13	3	23876-030000	PLUG, R03	1	1	1					
14	3	27241-120000	PLUG, 12	2	2	2					
15	3	27241-300000	PLUG 30	8	8	8					
25	2	129001-02930	BEARING, MAIN	5							3
25-1	2	129001-02931	BEARING, MAIN	5	5	5					N 3
(A=*2006.06)											
28	2	129150-02930	BEARING, THRUST	2							
28-1	2	129150-02931	BEARING, THRUST	2	2	2					N
(A=*2006.06)											
31	2	129795-01950	PIPE, KNOCK L=18	2	2	2					
32	2	124160-01910	PLUG, PT1/4	1	1	1					
33	2	22351-030010	PIN, SPRING 3.0X10	4	4	4					
34	2	22351-060012	PIN, SPRING 6.0X12	2	2	2					
35	1	129553-39650	NOZZLE	4	4	4					
36	1	23857-030000	BOLT, JOINT 3	4	4	4					
37	1	129150-01200	BOLT, HEAD	18	18	18					
38	1	129693-01341	GASKET, HEAD	1	1	1					
39	1	129150-02870	BEARING, 0.25 US	5							1
39-1	1	129150-02871	BEARING, 0.25 US	5	5	5					N 1
(A=*2006.06)											
42	1	129150-02940	BEARING, THRUST 0.25	1							2
42-1	1	129150-02941	BEARING, THRUST 0.25	1	1	1					N 2
(A=*2006.06)											
45	1	124976-34850	CAP	1	1	1					

Remarks  
(1) Under sized (U.S.=0.25) parts.  
(2) Over sized (O.S.=0.25) parts.  
(3) Spare parts.

Fig.2. GEAR HOUSING

(A)=4JH4-TE  
 (B)=4JH4-HTE  
 (C)=4JH4-HTE1

(D)=  
 (E)=  
 (F)=

No.	Lev.	Parts No.	Description	Q'ty						I	R
				(A)	(B)	(C)	(D)	(E)	(F)		
1	1	129673-01520	CASE, GEAR	1	1	1					
3	1	129693-01520	FLANGE, GEAR CASE	1	1	1					
4	1	121450-01560	STUD, M8X22	1	1	1					
5	1	124550-01590	BOLT, M8X16	4	4	4					
8	1	129795-01800	SEAL, OIL	1	1	1					
9	1	124240-01871	COVER	1	1	1					
10	1	129795-01950	PIPE, KNOCK L=18	2	2	2					
11	1	24311-000160	O-RING, 1AP16.0	2	2	2					
12	1	26106-080162	BOLT, M8X 16 PLATED	3	3	3					
13	1	26106-080452	BOLT, M8X 45 PLATED	2	2	2					
14	1	26106-080552	BOLT, M8X 55 PLATED	3	3	3					
15	1	26106-080852	BOLT, M8X 85 PLATED	4	4	4					

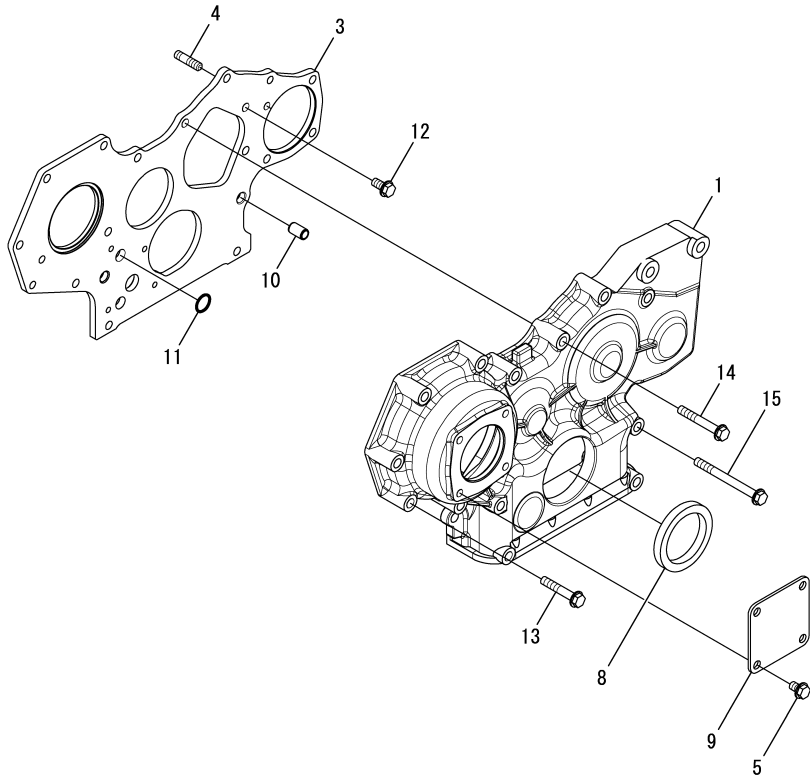


Fig.3. FLYWHEEL HOUSING

(A)=4JH4-TE  
 (B)=4JH4-HTE  
 (C)=4JH4-HTE1

(D)=  
 (E)=  
 (F)=

No.	Lev.	Parts No.	Description	Q'ty						I	R
				(A)	(B)	(C)	(D)	(E)	(F)		
1	1	129673-01620	HOUSING, FLYWHEEL	1	1	1					
2	1	129795-01780	SEAL, OIL	1	1	1					
3	1	22137-100000	WASHER, 10	6	6	6					
4	1	26206-100302	BOLT, M10X 30 PLATED	6	6	6					

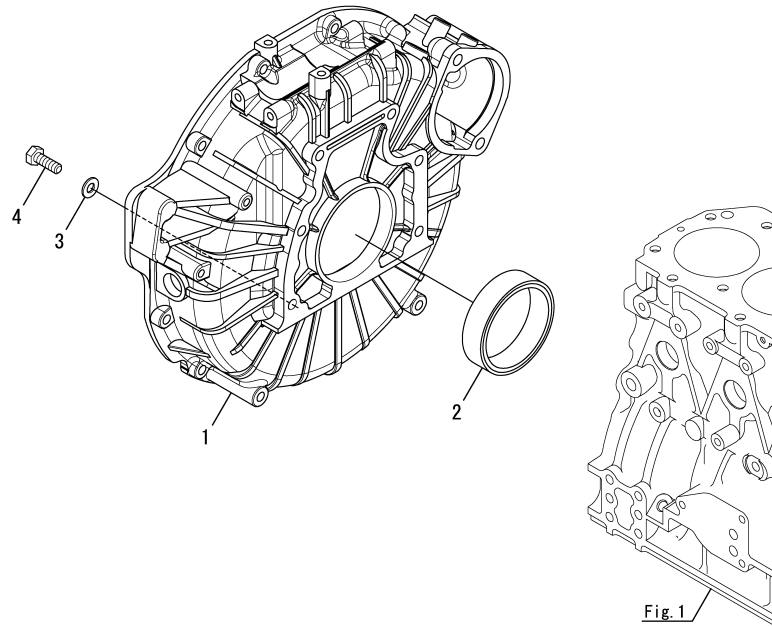
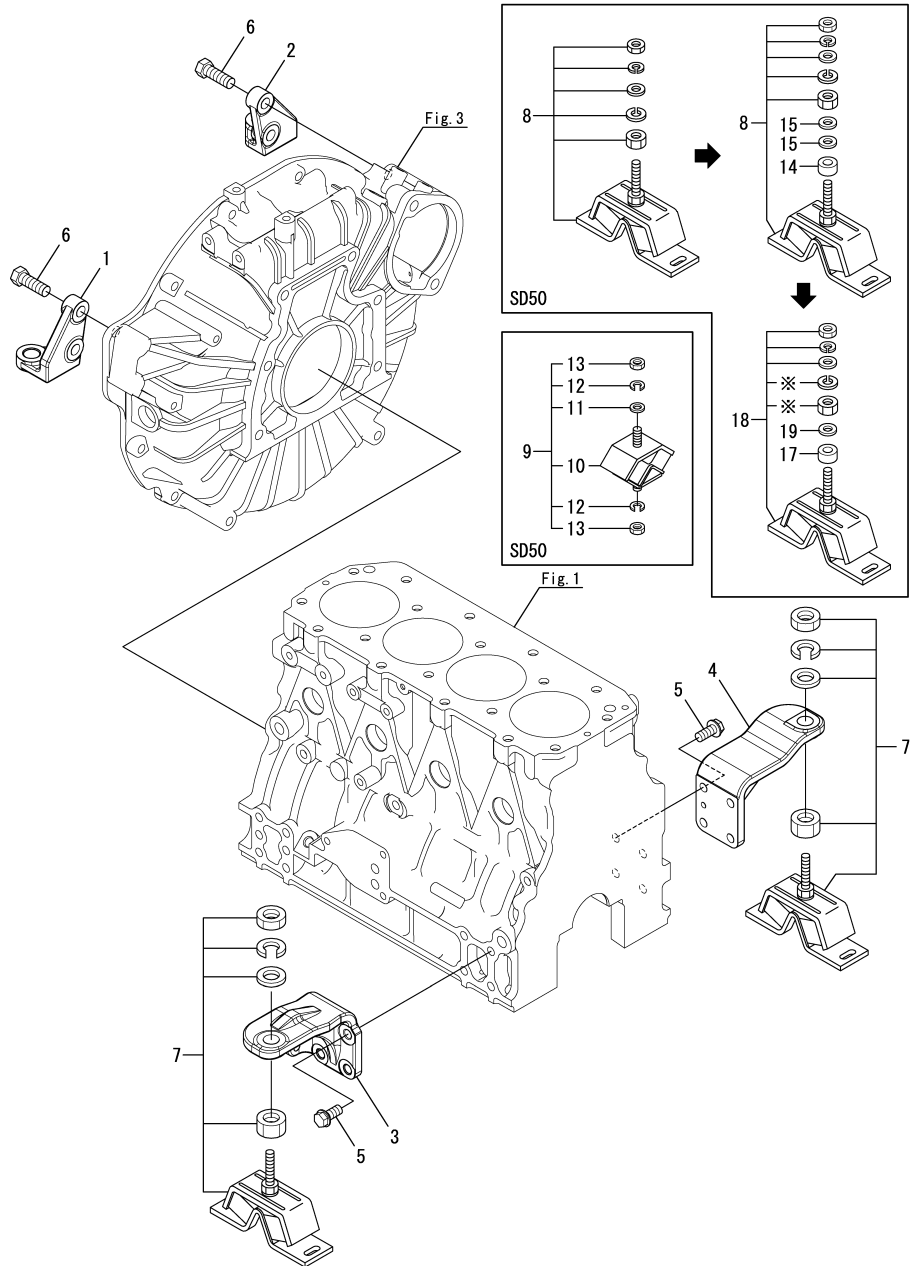


Fig.4. MOUNTING FOOT



(A)=4JH4-TE  
(B)=4JH4-HTE  
(C)=4JH4-HTE1

(D)=  
(E)=  
(F)=

No.	Lev.	Parts No.	Description	Q'ty						I	R
				(A)	(B)	(C)	(D)	(E)	(F)		
1	1	129671-08150	FOOT	1	1	1					
2	1	129671-08160	FOOT	1	1	1					
3	1	129671-08210	FOOT	1	1	1					
4	1	129670-08220	FOOT	1	1	1					
5	1	26106-100222	BOLT, M10X 22 PLATED	8	8	8					
6	1	26116-120352	BOLT, M12X 35 PLATED	4	4	4					
7	1	129670-08350	MOUNT, FLEXIBLE 200	4	4						
7-1	1	129670-08351 (B=YDSJH-09003)	MOUNTING, FLEXIBLE		4						N
8	1	120149-08441 (A=*2012.12)	MOUNT, FLEXIBLE 300	2							Z
9	1	796440-08630	ABSORBER ASSY, SHOCK	1							
10	2	196440-02380	ABSORBER, SHOCK 430	1							
11	2	196440-02390	WASHER	1							
12	2	22217-120000	WASHER, SPRING 12	2							
13	2	26716-120002	NUT, M12	2							
14-1	1	129671-08250 (A=*2012.12)	SPACER, ABSORBER	2							Z
15	1	22137-160000 (A=*2012.04)	WASHER, 16	4							W
15-1	1	22137-160000 (A=*2012.12)	WASHER, 16	4							Z
17	1	129671-08250 (A=*2012.12)	SPACER, ABSORBER	2							W
18	1	120149-08441 (A=*2012.12)	MOUNT, FLEXIBLE 300	2							W
19	1	22137-160000 (A=*2012.12)	WASHER, 16	2							W

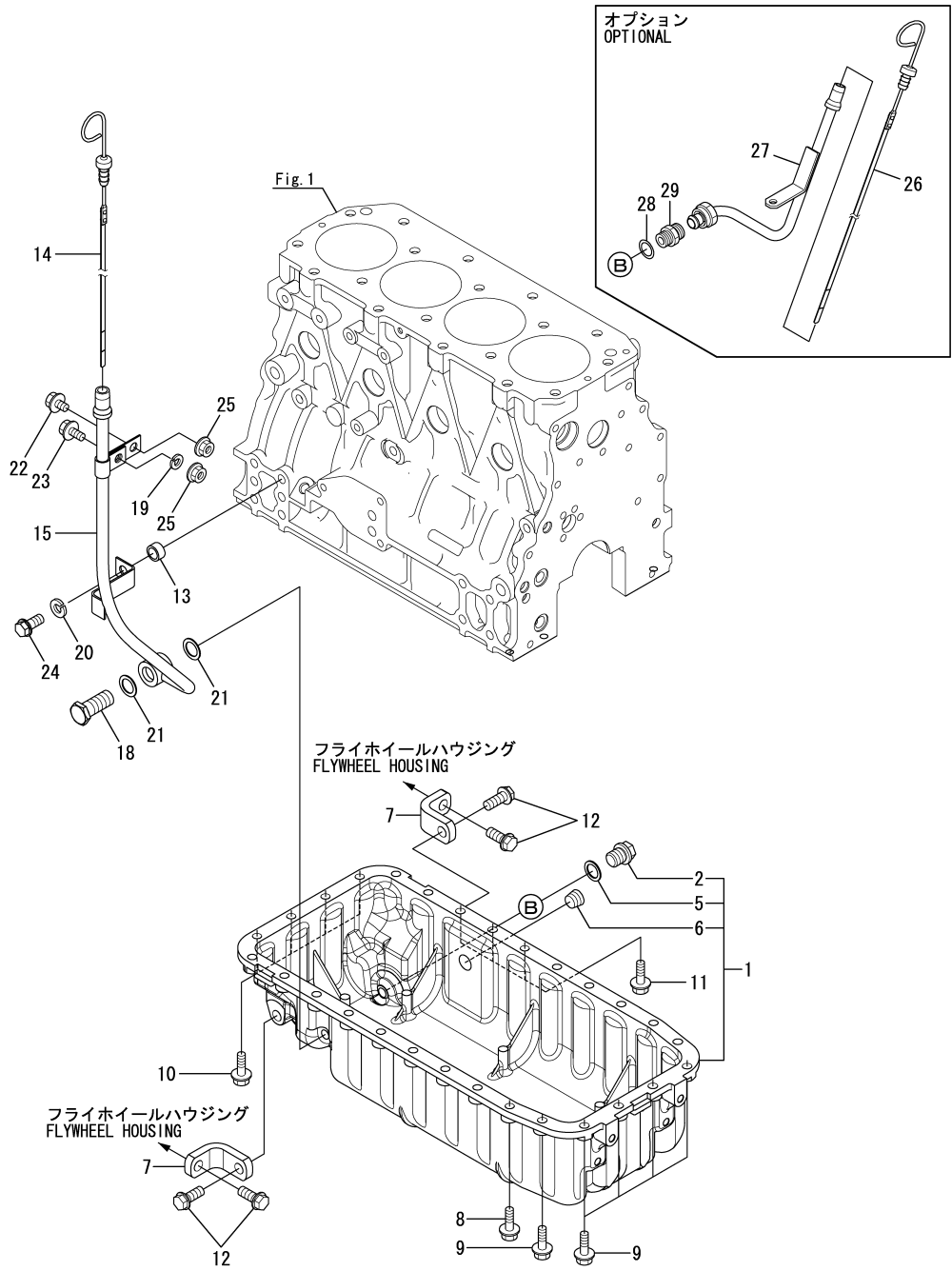
Remarks  
\* They are unnecessary parts.



Fig.5. LUB.OIL SUMP

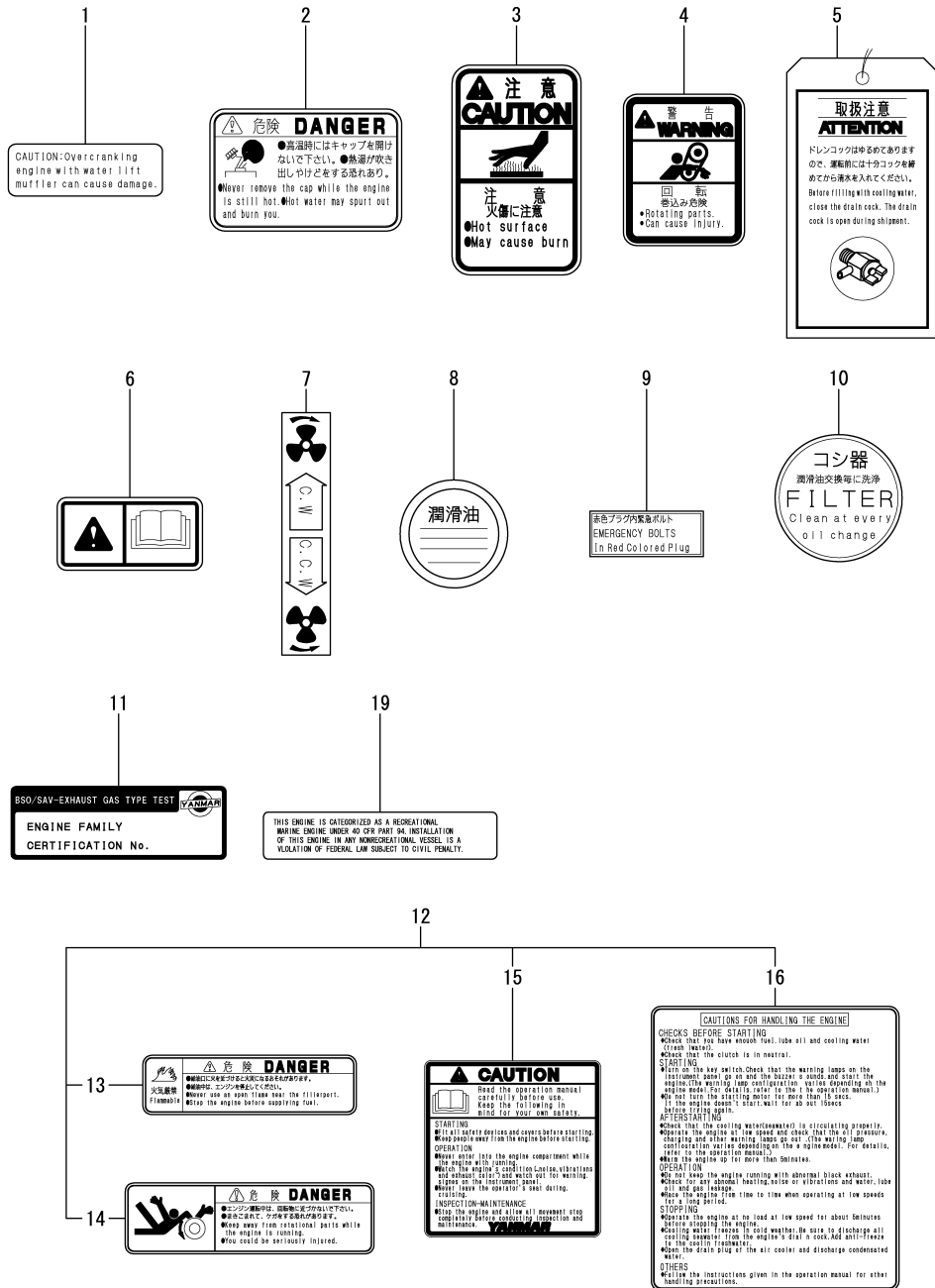
(A)=4JH4-TE  
(B)=4JH4-HTE  
(C)=4JH4-HTE1

(D)=  
(E)=  
(F)=



No.	Lev.	Parts No.	Description	Q'ty						I	R
				(A)	(B)	(C)	(D)	(E)	(F)		
1	1	129673-01700	SUMP ASSY, OIL	1	1	1					
2	2	105425-01690	PLUG, 16	1	1	1					
5	2	22190-160002	WASHER, SEAL 16	1	1	1					
6	2	23875-030000	PLUG, R03	1	1	1					
7	1	129470-01710	BRACKET	2	2	2					
8	1	26106-080252	BOLT, M8X 25 PLATED	16	16	16					
9	1	26106-080252	BOLT, M8X 25 PLATED	6	6	6					
10	1	26106-080252	BOLT, M8X 25 PLATED	4	4	4					
11	1	26106-080452	BOLT, M8X 45 PLATED	2	2	2					
12	1	26106-100252	BOLT, M10X 25 PLATED	4	4	4					
13	1	129301-34830	SPACER	1	1	1					
14	1	129473-34850	DIPSTICK, OIL	1	1	1					
15	1	129473-34880	GUIDE ASSY, DIPSTICK	1	1	1					
18	1	104214-39720	BOLT	1	1	1					
19	1	22217-080000	WASHER, SPRING 8	1	1	1					
20	1	22217-100000	WASHER, SPRING 10	1	1	1					
21	1	23414-160000	GASKET, 16X1.0	2	2	2					
22	1	26106-080122	BOLT, M8X 12 PLATED	1	1	1					
23	1	26106-080162	BOLT, M8X 16 PLATED	1	1	1					
24	1	26106-100222	BOLT, M10X 22 PLATED	1	1	1					
25	1	26306-080002	NUT, M8	2	2	2					
26	1	129670-34810	DIPSTICK, LUB. OIL	1	1	1					
27	1	129570-34880	GUIDE, DIPSTICK	1	1	1					
28	1	23414-160000	GASKET, 16X1.0	1	1	1					
29	1	23831-100000	UNION, 10	1	1	1					

Fig.6. LABEL

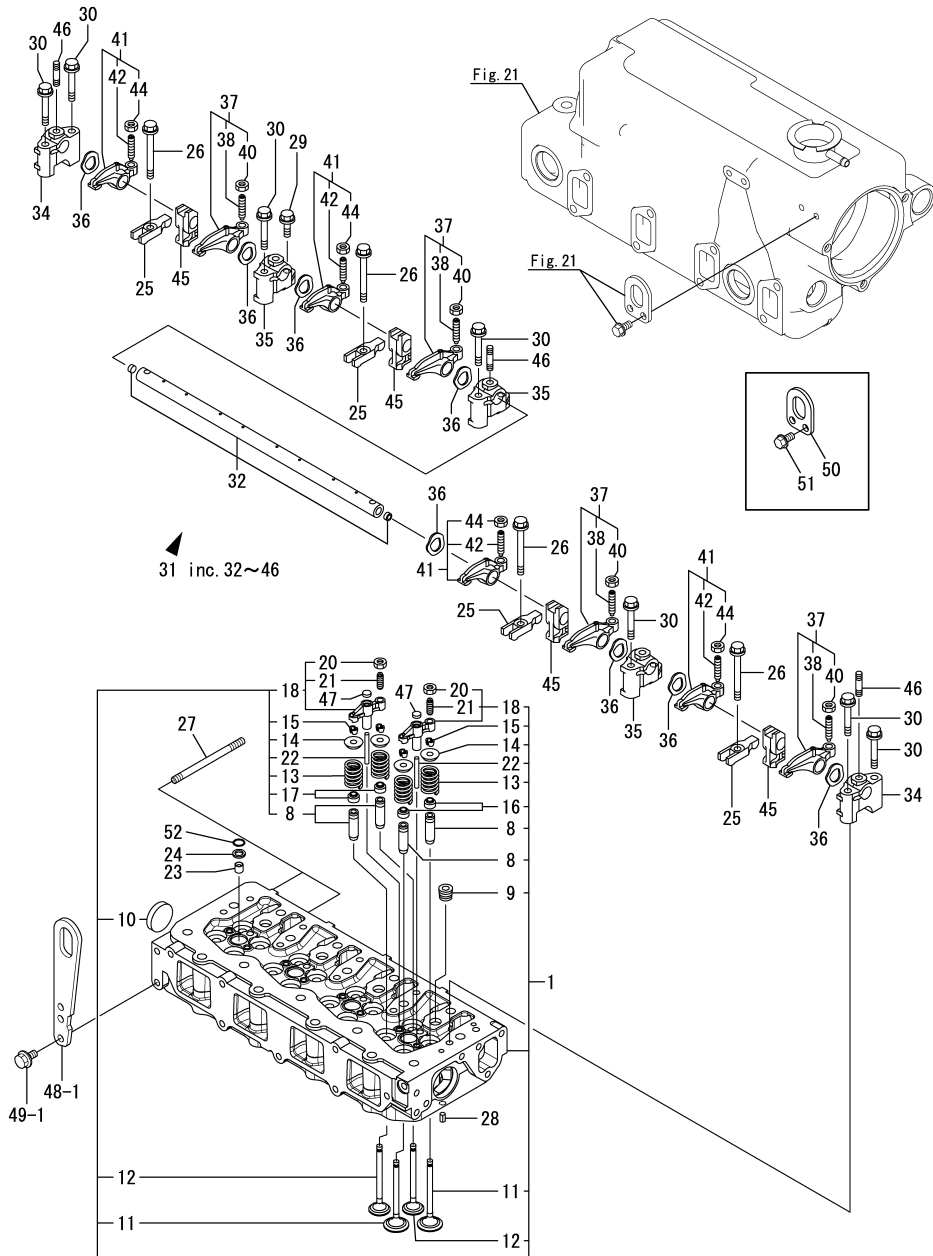


(A)=4JH4-TE  
(B)=4JH4-HTE  
(C)=4JH4-HTE1

(D)=  
(E)=  
(F)=

No.	Lev.	Parts No.	Description	Qty						I	R
				(A)	(B)	(C)	(D)	(E)	(F)		
1	1	128377-07150	LABEL, CAUTION	1	1	1					
2	1	128377-07260	LABEL, PRESSURE CAP	1	1						
2-1	1	128990-07270	LABEL, PRESSURE CAP	1	1	1					N
		(A=EXXXXX) (B=EXXXXX)									
3	1	128377-07270	LABEL, CAUTION	1	1	1					
4	1	128377-07350	LABEL, CAUTION	1	1						
5	1	123682-07852	LABEL, CAUTION	1	1	1					
6	1	196630-12980	LABEL, CAUTION	1	1	1					
7	1	177073-02431	LABEL, DIRECTION	1	1	1					
8	1	177050-02811	LABEL	1	1	1					
9	1	177061-02811	LABEL, EMERGENCY BOLT	1	1	1					
10	1	177050-02821	LABEL, STRAINER	1	1	1					
11	1	129671-07570	LABEL, BSO2	1							
11A	1	129672-07570	LABEL, BSO2		1						
12	1	128377-07190	LABEL, LOOSE PARTS	1	1	1					
13	2	128377-07400	LABEL, DANGER	2	2	2					
14	2	128377-07420	LABEL, DANGER	1	1	1					
15	2	128377-07450	LABEL, CAUTION	1	1	1					
16	2	128377-07460	LABEL, CAUTION	1	1	1					
19	1	129670-07100	LABEL, RECREATIONAL			1					
19-1	1	129670-07101	LABEL, RECREATIONAL			1					N
		(B=EXXXXX)									
19-2	1	129670-07101	LABEL, RECREATIONAL			1					Z
		(B=EXXXXX)									
19A	1	129672-07100	LABEL, RECREATIONAL			1					

Fig.7. CYLINDER HEAD



(A)=4JH4-TE  
(B)=4JH4-HTE  
(C)=4JH4-HTE1

(D)=  
(E)=  
(F)=

No.	Lev.	Parts No.	Description	Q'ty						I	R
				(A)	(B)	(C)	(D)	(E)	(F)		
1	1	129671-11700	HEAD ASSY, CYLINDER	1							
1A	1	129672-11700	HEAD ASSY, CYLINDER		1						
8	3	119717-11800	GUIDE, VALVE	16	16	16					1
9	3	23876-020000	PLUG, R02	4	4						
9-1	3	121850-11860	PLUG, PT1/4	4	4	4					R
		(A=EXXXXX) (B=EXXXXX)									
10	3	27241-400000	PLUG, 40	2	2	2					
11	2	129672-11100	VALVE, INTAKE	8	8	8					
12	2	129672-11110	VALVE, EXHAUST	8	8	8					
13	2	129508-11130	SPRING, VALVE	16	16	16					
14	2	129508-11180	RETAINER, SPRING	16	16	16					
15	2	119717-11190	COTTER	32	32	32					
16	2	119717-11340	SEAL, VALVE STEM	8	8	8					
17	2	119717-11350	SEAL, VALVE STEM	8	8	8					
18	2	129672-11510	BRIDGE ASSY, VALVE	8	8	8					
20	3	129150-11750	NUT, M8	8	8	8					
21	3	123907-11830	ADJUSTER	8	8	8					
22	2	129508-11820	GUIDE	8	8	8					
23	1	119802-11870	PROTECTOR, NOZZLE	4	4	4					
24	1	119625-11880	SEAT, NOZZLE	4	4	4					
25	1	129508-11900	RETAINER, NOZZLE	4	4	4					
26	1	129907-11950	BOLT, M8X75	4	4	4					
27	1	129693-44300	STUD	2	2	2					
28	1	22351-060012	PIN, SPRING 6.0X12	2	2	2					
29	1	26106-080252	BOLT, M8X 25 PLATED	3	3	3					
30	1	26106-080502	BOLT, M8X 50 PLATED	7	7	7					
31	1	129508-11241	SHAFT ASSY, ROCKER	1	1	1					
32	2	129508-11250	SHAFT, ROCKER ARM	1	1	1					
34	2	129508-11260	SUPPORT, ROCKER ARM	2	2	2					
35	2	129508-11270	SUPPORT, ROCKER ARM	3	3	3					
36	2	129508-11280	WASHER	8	8	8					
37	2	129508-11650	ARM, ROCKER	4	4	4					
38	3	129150-11230	SCREW, VALVE ADJUST	4	4	4					
40	3	129150-11750	NUT, M8	4	4	4					
41	2	129508-11660	ARM, ROCKER	4	4	4					
42	3	129150-11230	SCREW, VALVE ADJUST	4	4	4					
44	3	129150-11750	NUT, M8	4	4	4					
45	2	129508-11920	RETAINER	4	4	4					
46	2	26226-080352	STUD, M8X 35	3	3	3					
47	1	123907-11550	SEAT, VALVE BRIDGE	8	8	8					
48-1	1	129671-07900	LIFTER	2	2	2					
49-1	1	26106-080162	BOLT, M8X 16 PLATED	4	4	4					
50	1	129470-07230	LIFTER	1	1						
50-1	1	129670-07230	LIFTER	1	1						N
		(A=EXXXXX) (B=EXXXXX)									
50-2	1	129670-07230	LIFTER	1	1						Z
		(A=EXXXXX) (B=EXXXXX)									
51	1	26106-080162	BOLT, M8X 16 PLATED	2	2						Z
		(A=EXXXXX) (B=EXXXXX)									
52	1	24311-000120	O-RING, 1AP12.0	4	4	4					W
		(A=EXXXXX) (B=EXXXXX)									

Remarks

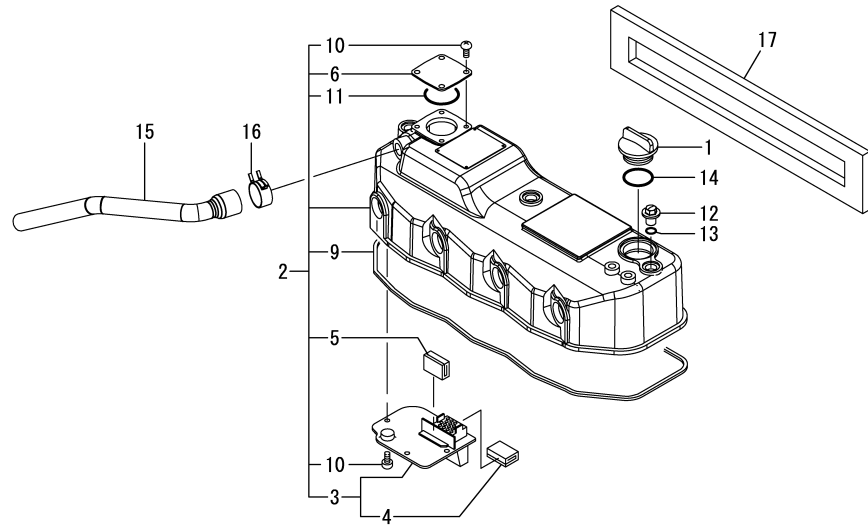
(1) Spare parts.

N:Old  $\xrightarrow{\text{Yes}}$  New, Q:Old  $\xrightarrow{\text{No}}$  New, R:Old  $\xrightarrow{\text{Yes}}$  New, S:Old  $\xrightarrow{\text{No}}$  New, W:Add, Z:Discontinued, F:Interchangeable by set, K:Q'ty Change

Fig.8. BONNET

(A)=4JH4-TE  
(B)=4JH4-HTE  
(C)=4JH4-HTE1

(D)=  
(E)=  
(F)=

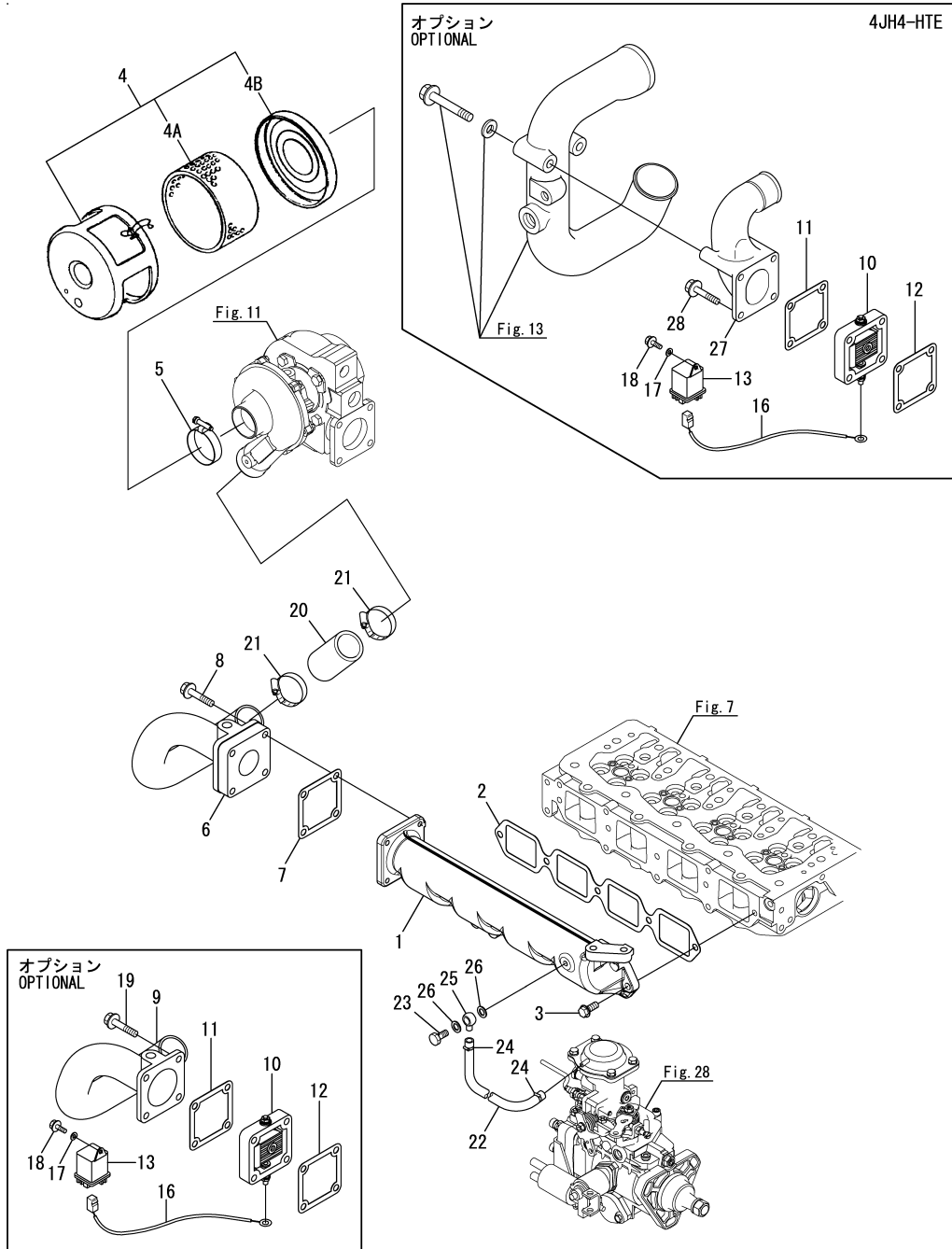


No.	Lev.	Parts No.	Description	Q'ty						I	R
				(A)	(B)	(C)	(D)	(E)	(F)		
1	1	124160-01751	COVER, FILLER	1	1	1					
2	1	129508-11350	BONNET ASSY, HEAD	1	1	1					
3	2	129508-03010	PLATE	1	1	1					
4	3	119802-03070	BAFFLE, BREATHER	1	1	1					
5	2	129150-03070	BAFFLE, BREATHER	1	1	1					
6	2	129006-03120	COVER, DIAPHRAGM	1	1	1					
9	2	129508-11310	GASKET, BONNET	1	1	1					
10	2	22857-500100	SCREW, 5X10	8	8	8					
11	2	24341-000400	O-RING, 1AS40.0	1	1	1					
12	1	124160-11360	KNOB	3	3	3					
13	1	24311-000120	O-RING, 1AP12.0	3	3	3					
14	1	24311-000320	O-RING, 1AP32.0	1	1	1					
15	1	129671-03090	PIPE , BREATHER	1	1	1					
16	1	129410-03990	CLIP	1	1	1					
17	1	129671-11900	INSULATOR, NOISE	1	1	1					

Fig.9. SUCTION MANIFOLD

(A)=4JH4-TE  
(B)=4JH4-HTE  
(C)=4JH4-HTE1

(D)=  
(E)=  
(F)=



No.	Lev.	Parts No.	Description	Q'ty						I	R
				(A)	(B)	(C)	(D)	(E)	(F)		
1	1	129671-12120	MANIFOLD, AIR INTAKE	1	1	1					
2	1	129671-12130	GASKET, MANIFOLD	1	1	1					
3	1	26106-080202	BOLT, M8X 20 PLATED	5	5	5					
4	1	129470-12301	SILENCER ASSY	1	1	1					
4A	2	129470-12330	ELEMENT ASSY	1	1	1					W
		(A=EXXXXX) (B=EXXXXX)									
4B	2	129470-12320	PLATE	1	1	1					W
		(A=EXXXXX) (B=EXXXXX)									
5	1	23000-054000	CLAMP, 54	1	1	1					
6	1	129571-18130	DUCT, AIR	1							
7	1	129150-77511	GASKET	1							
8	1	26106-080402	BOLT, M8X 40 PLATED	4							
9	1	129571-18140	DUCT, AIR	1							
10	1	129100-77500	HEATER, AIR 12V	1	1						
10-1	1	129100-77501	HEATER	1	1	1					N
		(A=EXXXXX) (B=EXXXXX)									
11	1	129100-77510	GASKET	1	1	1					
12	1	129150-77511	GASKET	1	1	1					
13	1	128990-77910	RELAY, GROW	1	1						
13-1	1	128990-77911	RELAY ASSY, GLOW	1	1	1					N
		(A=EXXXXX) (B=EXXXXX)									
16	1	129271-77921	HARNES, WIRE (HEATER)	1	1	1					
17	1	22217-060000	WASHER, SPRING 6	1	1	1					
18	1	26106-060082	BOLT, M6X 8 PLATED	1	1	1					
19	1	26106-080402	BOLT, M8X 40 PLATED	4							
20	1	129595-18141	JOINT, RUBBER	1							
20-1	1	129671-18150	JOINT, RUBBER	1							N
		(A=EXXXXX)									
21	1	23000-060000	CLAMP, 60	2							
22	1	129693-18450	PIPE	1	1	1					
23	1	129198-59540	BOLT, PIPE JOINT M8	1	1	1					
24	1	23000-013000	CLAMP, 13	2	2	2					
25	1	23387-040800	JOINT, HOSE 4-8	1	1	1					
26	1	23414-080000	GASKET, 8X1.0	2	2	2					
27	1	129474-18171	BEND		1	1					
28	1	26106-080402	BOLT, M8X 40 PLATED		2	2					

Fig.10. MIXING ELBOW

(A)=4JH4-TE  
(B)=4JH4-HTE  
(C)=4JH4-HTE1

(D)=  
(E)=  
(F)=

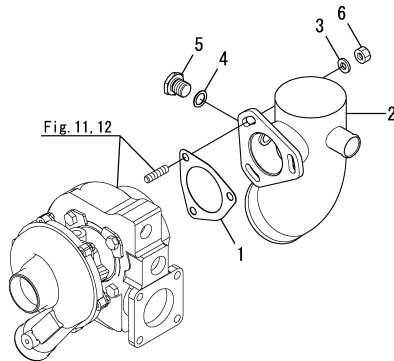
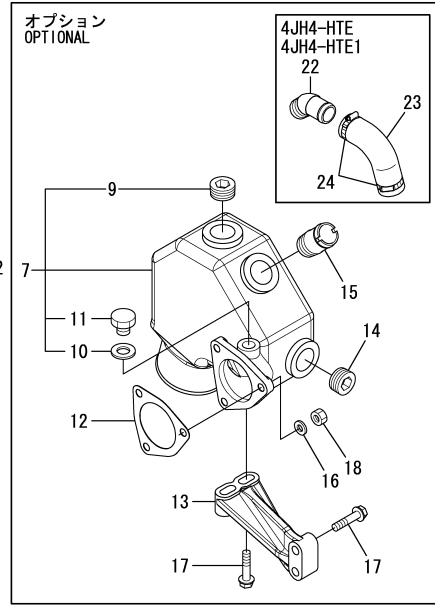
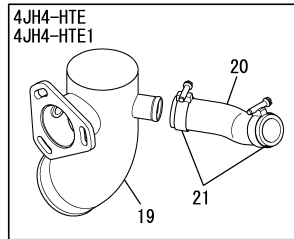


Fig. 11, 12



オプション  
OPTIONAL

4JH4-HTE  
4JH4-HTE1  
22

No.	Lev.	Parts No.	Description	Q'ty						I	R
				(A)	(B)	(C)	(D)	(E)	(F)		
1	1	129472-13520	GASKET	1	1	1					
2	1	129671-13551	ELBOW	1							
2-1	1	129671-13552	ELBOW, WATER MIXING	1							S 1
(A=EXXX)											
3	1	22137-080000	WASHER, 8	3	3	3					
4	1	23414-130000	GASKET, 13X1.0	1	1	1					
5	1	23893-020002	PLUG, G1/4	1	1						
5-1	1	129671-13570	PLUG G 1/4A	1	1	1					N
(A=EXXX) (B=EXXX)											
6	1	26703-080002	NUT, M8	3	3	3					
7	1	129472-13501	ELBOW ASSY	1	1	1					
9	2	129472-13560	PLUG, PT3/4	1	1	1					
10	2	23414-130000	GASKET, 13X1.0	1	1	1					
11	2	23893-020002	PLUG, G1/4	1	1	1					
12	1	129472-13520	GASKET	1	1	1					
13	1	129472-13550	SUPPORT	1	1	1					
14	1	129472-13560	PLUG, PT3/4	1	1	1					
15	1	123325-49421	JOINT, PIPE	1							
16	1	22137-080000	WASHER, 8	3	3	3					
17	1	26106-080352	BOLT, M8X 35 PLATED	4	4	4					
18	1	26703-080002	NUT, M8	3	3	3					
19	1	129673-13551	ELBOW		1						
19-1	1	129673-13552	ELBOW, WATER MIXING		1	1					S 1
(B=EXXX)											
20	1	129673-49110	PIPE, WATER		1	1					
21	1	129670-49500	CLIP, HOSE 38		2	2					
22	1	129673-49060	ELBOW, 45		1	1					
23	1	129673-49150	PIPE, WATER		1	1					
24	1	129670-49500	CLIP, HOSE 38		2	2					

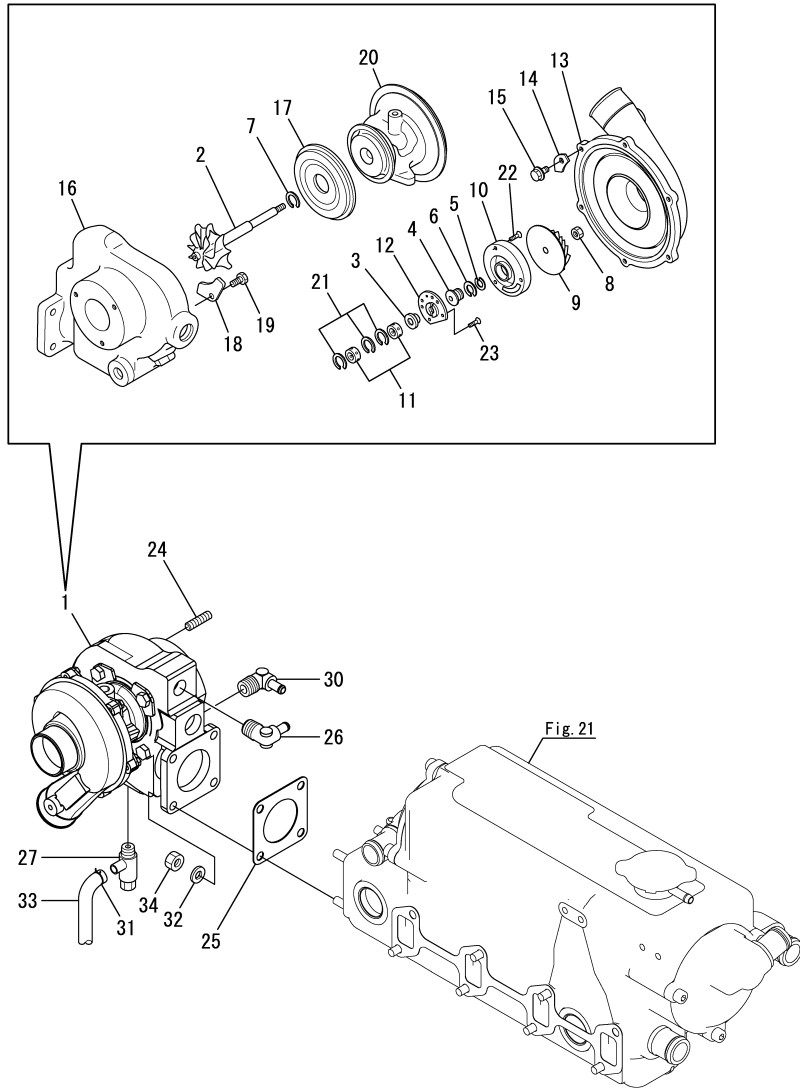
Remarks

(1) Interchangeable by simultaneous replacement with No.5-1.

Fig.11. TURBOCHARGER(4JH4-TE)

(A)=4JH4-TE  
(B)=4JH4-HTE  
(C)=4JH4-HTE1

(D)=  
(E)=  
(F)=

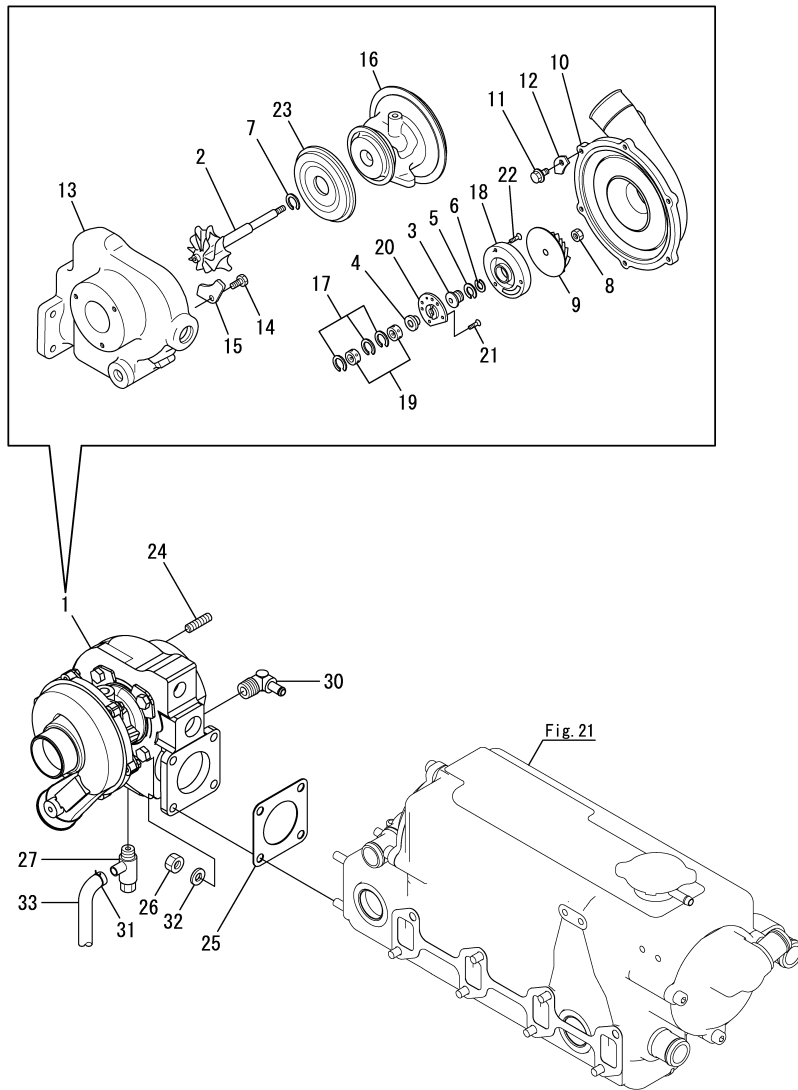


No.	Lev.	Parts No.	Description	Q'ty						I	R
				(A)	(B)	(C)	(D)	(E)	(F)		
1	1	129671-18010	TURBINE, B52W-TE	1							
2	2	XNN131614	SHAFT	1							
3	2	XNN131579	BUSH, THRUST	1							
4	2	XNN131578	SHELTER	1							
5	2	XNN131008	SEAL RING,BLOW.SIDE	1							
6	2	XNB131008	SEAL RING,BLOW.SIDE	1							
7	2	XNN131536	SEALING	1							
8	2	XNN131108	NUT	1							
9	2	XNN136617	IMPELLER	1							
10	2	XNN133021	SEAL PLATE	1							
11	2	XNN133506	METAL, FLOATING	2							
12	2	XNN133596	METAL,THRUST	1							
13	2	XNN133960	HOUSING, BLOWER	1							
14	2	XNN134035	RETAINER	6							
15	2	XNB134007	BOLT M 5	6							
16	2	XNE928722	HOUSING	1							
17	2	XNN137055	PROTECTOR, HEAT	1							
18	2	XNN137423	RETAINER	5							
19	2	XNN137007	BOLT, M8	5							
20	2	XNE923383	HOUSING,BEARING	1							
21	2	XNN133208	CIRCLIP	3							
22	2	XNB133208	SCREW(SEAL PLATE	3							
23	2	XNB133206	SCREW	4							
24	1	128170-13600	STUD, M8X31	3							
24-1	1	129670-13600	STUD	3							R
		(A=EXXXXX)									
25	1	129472-18090	GASKET	1							
26	1	104407-44480	JOINT	1							
27	1	129670-49290	COCK ASSY, R1/8	1							
30	1	171007-49400	JOINT	2							
31	1	124460-77680	RETAINER	1							
32	1	22133-080000	WASHER, 8	4							
33	1	23061-070300	PIPE, 7X 300	1							
34	1	26703-080002	NUT, M8	4							

Fig.12. TURBOCHARGER(4JH4-HTE/HTE1)

(A)=4JH4-TE  
(B)=4JH4-HTE  
(C)=4JH4-HTE1

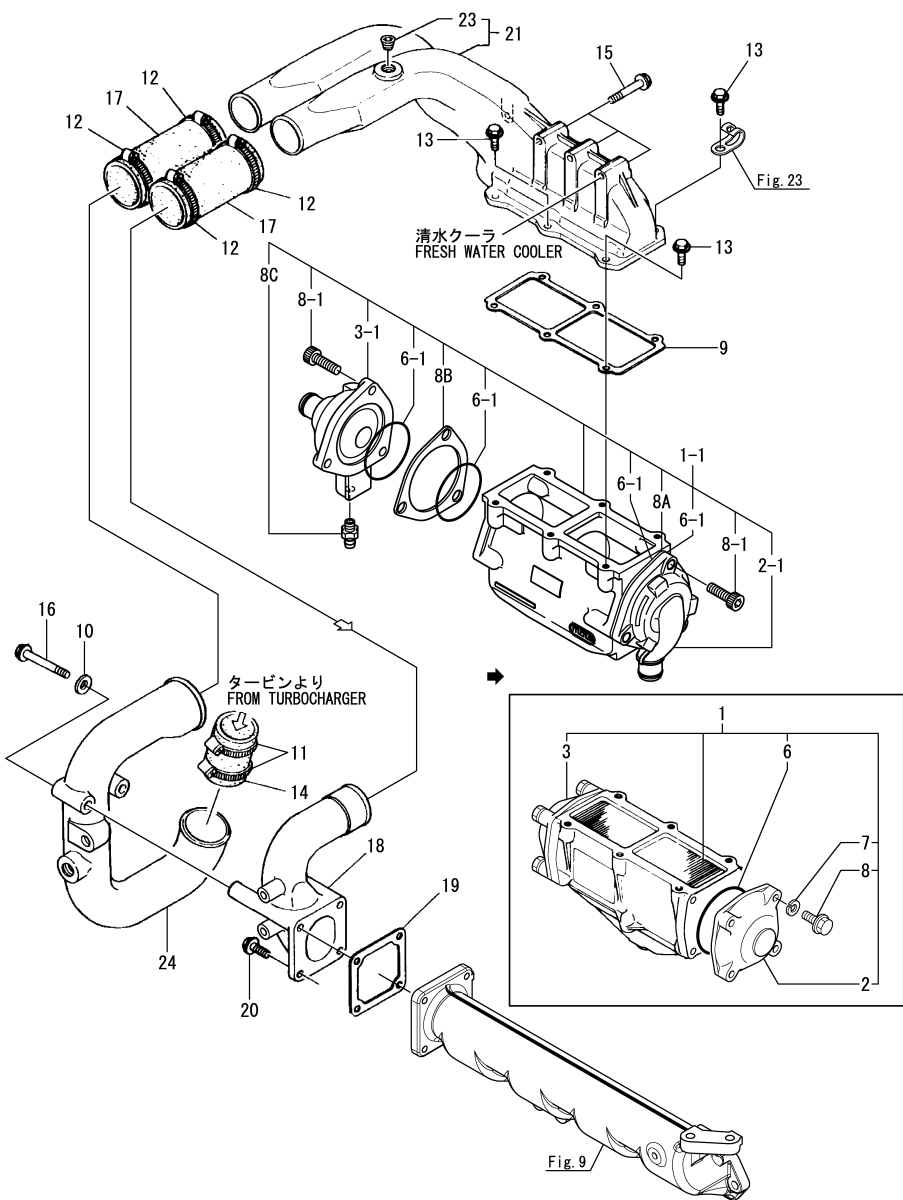
(D)=  
(E)=  
(F)=



No.	Lev.	Parts No.	Description	Qty						I	R
				(A)	(B)	(C)	(D)	(E)	(F)		
1	1	129671-18001	TURBINE, B52W-TE		1	1					
2	2	XNN131614	SHAFT		1	1					
3	2	XNN131578	SHELTER		1	1					
4	2	XNN131579	BUSH, THRUST		1	1					
5	2	XNB131008	SEAL RING,BLOW.SIDE		1	1					
6	2	XNN131008	SEAL RING,BLOW.SIDE		1	1					
7	2	XNN131536	SEALING		1	1					
8	2	XNN131108	NUT		1	1					
9	2	XNN136613	IMPELLER		1	1					
10	2	XNN133911	HOUSING,BLOWER		1	1					
11	2	XNB134007	BOLT M 5		6	6					
12	2	XNN134035	RETAINER		6	6					
13	2	XNE928727	HOUSING		1	1					
14	2	XNN137007	BOLT, M8		5	5					
15	2	XNN137423	RETAINER		5	5					
16	2	XNE923383	HOUSING,BEARING		1	1					
17	2	XNN133208	CIRCLIP		3	3					
18	2	XNN133022	PLATE, SEAL		1	1					
19	2	XNN133506	METAL, FLOATING		2	2					
20	2	XNN133596	METAL,THRUST		1	1					
21	2	XNB133206	SCREW		4	4					
22	2	XNB133208	SCREW(SEAL PLATE		3	3					
23	2	XNN137055	PROTECTOR, HEAT		1	1					
24	1	128170-13600	STUD, M8X31		3						
24-1	1	129670-13600	STUD		3	3					R
		(B=EXXXXX)									
25	1	129472-18090	GASKET		1	1					
26	1	26703-080002	NUT, M8		4	4					
27	1	129670-49290	COCK ASSY, R1/8		1	1					
30	1	171007-49400	JOINT		2	2					
31	1	124460-77680	RETAINER		1	1					
32	1	22133-080000	WASHER, 8		4	4					
33	1	23061-070300	PIPE, 7X 300		1	1					



Fig.13. AIR COOLER



(A)=4JH4-TE  
(B)=4JH4-HTE  
(C)=4JH4-HTE1

(D)=  
(E)=  
(F)=

No.	Lev.	Parts No.	Description	Q'ty						I	R
				(A)	(B)	(C)	(D)	(E)	(F)		
1	1	129672-18100	COOLER ASSY, INTER		1						
1-1	1	129672-18110	COOLER ASSY, INTER		1	1					S 1
				(B=*2006.10)							
2	2	129673-18220	BOX, WATER A		1						
2-1	2	129672-18130	COVER		1	1					S
				(B=*2006.10)							
3	2	129672-18230	BOX, WATER B		1						
3-1	2	129672-18140	COVER		1	1					S
				(B=*2006.10)							
6	2	129673-18250	O-RING		2						
6-1	2	129672-18170	O-RING, D81.2X3.53		4	4					S
				(B=*2006.10)							
7	2	22217-080000	WASHER, SPRING 8		8						Z
				(B=*2006.10)							
8	2	26106-080302	BOLT, M8X 30 PLATED		8						
8-1	2	129672-18180	BOLT, M8X40		6	6					S
				(B=*2006.10)							
8A	2	129672-18150	ELEMENT		1	1					W
				(B=*2006.10)							
8B	2	129672-18160	SPACER		1	1					W
				(B=*2006.10)							
8C	2	129672-18190	PLUG ASSY, DRAIN		1	1					W
				(B=*2006.10)							
9	1	129573-18120	GASKET		1	1					
10	1	22137-080000	WASHER, 8		2	2					
11	1	23000-054000	CLAMP, 54		2	2					
12	1	23000-070000	CLAMP, 70		4	4					
13	1	26106-080202	BOLT, M8X 20 PLATED		6	6					
14	1	129595-18141	JOINT, RUBBER		1						
14-1	1	129671-18150	JOINT, RUBBER		1	1					R
				(B=EXXXXX)							
15	1	26106-080502	BOLT, M8X 50 PLATED		3	3					
16	1	26116-082002	BOLT, M8X200 PLATED		2	2					
17	1	129595-18151	JOINT, RUBBER		2						
17-1	1	129673-18140	JOINT, RUBBER		2	2					R
				(B=EXXXXX)							
18	1	129474-18151	BEND		1	1					
19	1	129150-77511	GASKET		1	1					
20	1	26106-080202	BOLT, M8X 20 PLATED		2	2					
21	1	129474-18181	DUCT ASSY, AIR		1	1					
23	2	23876-010000	PLUG, R01		1	1					
24	1	129595-18132	DUCT, AIR		1	1					

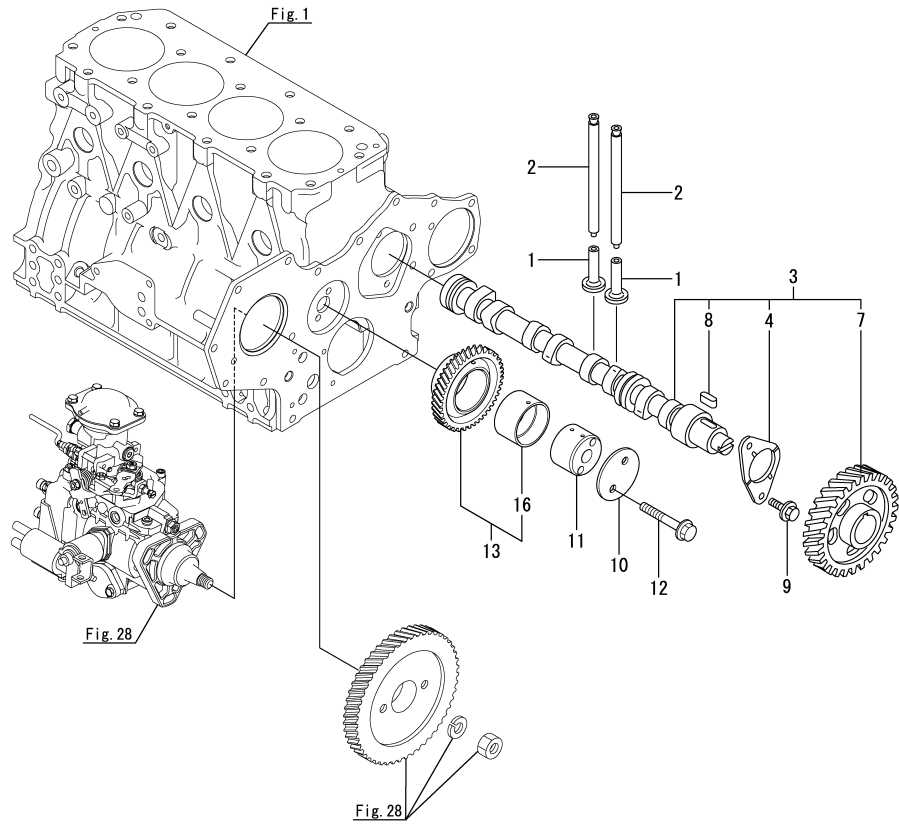
Remarks  
(1)Interchangeable by simultaneous replacement with Fig.23 No.1-1.

# Fig.14. CAMSHAFT & DRIVING GEAR

(A)=4JH4-TE  
(B)=4JH4-HTE  
(C)=4JH4-HTE1

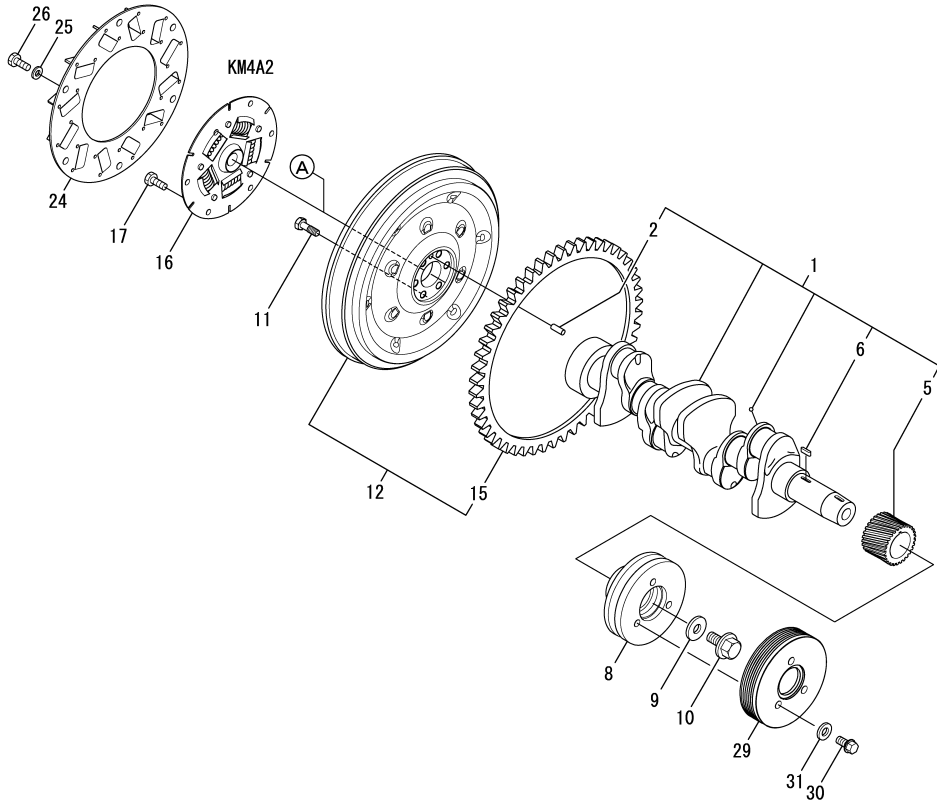
(D)=  
(E)=  
(F)=

No.	Lev.	Parts No.	Description	Q'ty						I	R
				(A)	(B)	(C)	(D)	(E)	(F)		
1	1	129150-14200	TAPPET	8	8	8					
2	1	129150-14400	ROD, PUSH L=178	8	8	8					
3	1	129508-14580	CAMSHAFT ASSY	1	1	1					
4	2	129150-02450	BEARING, THRUST	1	1	1					
7	2	129150-14101	GEAR, CAMSHAFT	1	1	1					
8	2	22512-070140	KEY, 7X 14	1	1	1					
9	1	26106-080142	BOLT, M8X 14 PLATED	2	2	2					
10	1	129150-25020	RETAINER	1	1	1					
11	1	129150-25052	SHAFT, IDLE	1	1	1					
12	1	119174-25060	BOLT, M8X45	2	2	2					
13	1	129693-25100	GEAR ASSY, IDLE	1	1	1					
16	2	129573-25090	BUSH, IDLE GEAR	1	1	1					1



Remarks  
(1) Spare parts.

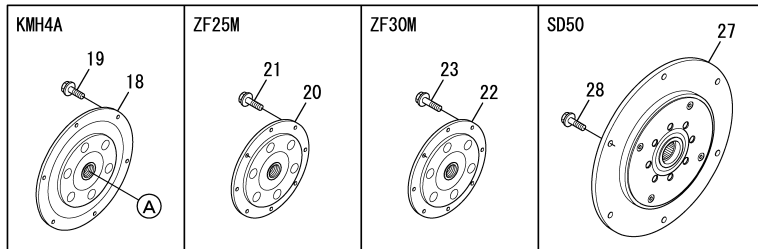
Fig.15. CRANKSHAFT & FLYWHEEL



(A)=4JH4-TE  
(B)=4JH4-HTE  
(C)=4JH4-HTE1

(D)=  
(E)=  
(F)=

No.	Lev.	Parts No.	Description	Q'ty						I	R
				(A)	(B)	(C)	(D)	(E)	(F)		
1	1	129698-21000	CRANKSHAFT ASSY	1	1	1					
1-1	1	129698-21001	CRANKSHAFT ASSY	1	1	1					N
		(A=EXXXXX) (B=EXXXXX)									
2	2	129100-01580	PIN, M8X16	1	1	1					
5	2	129189-21200	GEAR, CRANKSHAFT	1	1	1					
6	2	22512-070140	KEY, 7X 14	1	1	1					
8	1	119802-21660	V-PULLEY, 120	1	1	1					
9	1	129795-21661	WASHER	1	1	1					
10	1	121850-21680	BOLT	1	1	1					
11	1	121111-21501	BOLT, FLYWHEEL	6	6	6					
12	1	129574-21590	FLYWHEEL ASSY	1	1	1					
15	2	124550-21600	GEAR, RING	1	1	1					
16	1	177090-03500	DISK, DAMPER D190	1	1	1					
17	1	26106-080162	BOLT, M8X 16 PLATED	6	6	6					
18	1	129673-81760	DISK, DAMPER	1	1	1					
19	1	26106-080202	BOLT, M8X 20 PLATED	6	6	6					
20	1	129673-81150	DISK, DAMPER	1	1	1					
21	1	26106-080222	BOLT, M8X 22 PLATED	6	6	6					
21-1	1	26106-080202	BOLT, M8X 20 PLATED	6	6	6					R
		(A=EXXXXX) (B=EXXXXX)									
22	1	129673-81250	DISK, DAMPER	1	1	1					
23	1	26106-080252	BOLT, M8X 25 PLATED	6	6	6					
24	1	129670-81850	FAN, FLYWHEEL	1	1	1					
25	1	22217-080000	WASHER, SPRING 8	6	6	6					
26	1	26106-080162	BOLT, M8X 16 PLATED	6	6	6					
27	1	196440-04300	COUPLING, 250 SP26	1							
28	1	26106-080222	BOLT, M8X 22 PLATED	6							
28-1	1	26106-080202	BOLT, M8X 20 PLATED	6							R
		(A=EXXXXX)									
29	1	129271-21660	PULLEY, CRANK 6PK	1	1	1					W 1
		(A=E15602) (B=E24940) (C=E40232)									
30	1	26106-100202	BOLT, M10X 20 PLATED	3	3	3					W 1
		(A=E15602) (B=E24940) (C=E40232)									
31	1	22137-100000	WASHER, 10	3	3	3					W 1
		(A=E15602) (B=E24940) (C=E40232)									

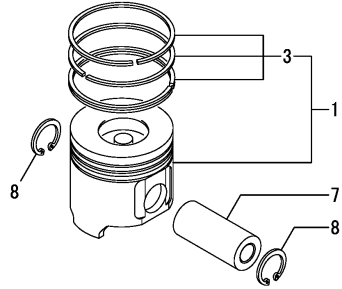


Remarks  
(1)Valeo generator spec.

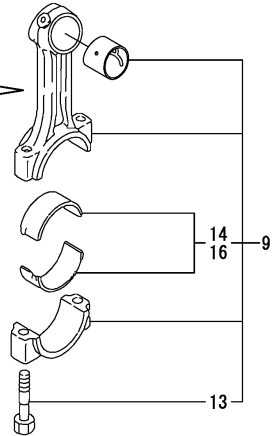
Fig.16. PISTON & CONNECTING ROD

(A)=4JH4-TE  
(B)=4JH4-HTE  
(C)=4JH4-HTE1

(D)=  
(E)=  
(F)=



品質保証上 単品販売不可  
ON A GUARANTEE OF QUALITY  
SHALL NOT SOLD SEPARATELY.



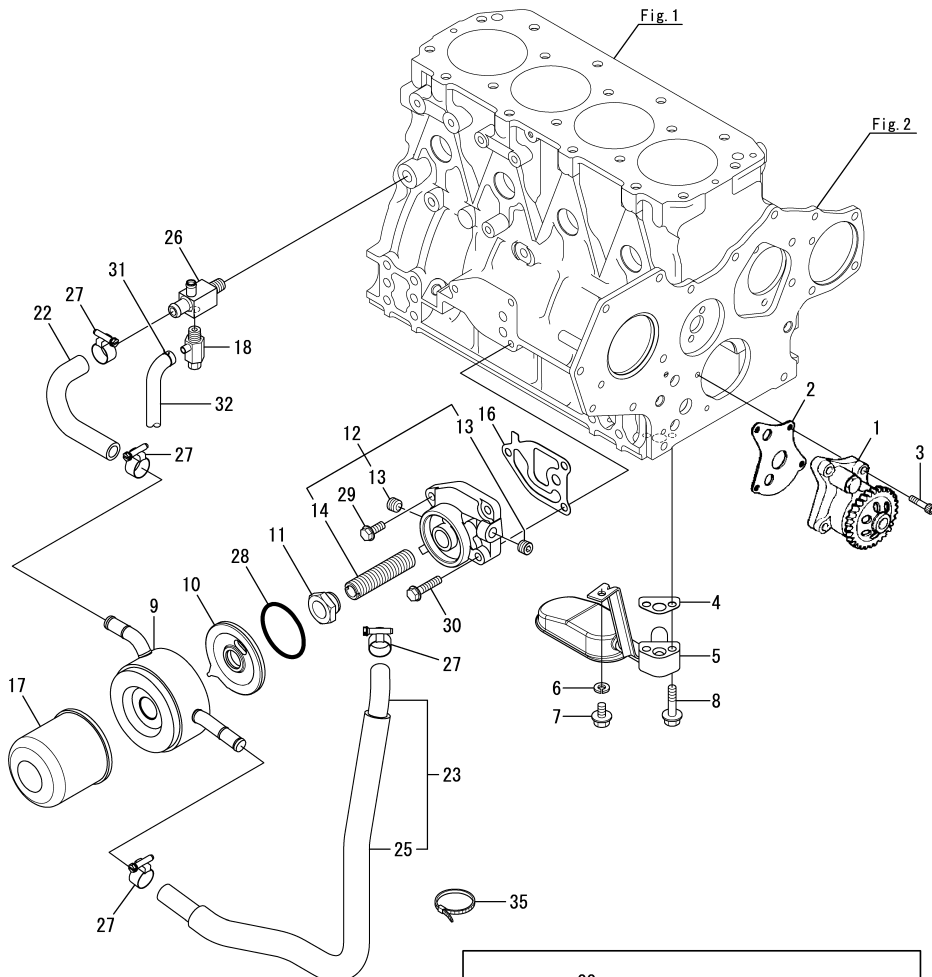
No.	Lev.	Parts No.	Description	Q'ty						I	R
				(A)	(B)	(C)	(D)	(E)	(F)		
1	1	129671-22050	PISTON ASSY, 19.0	4							
1-1	1	129671-22051	PISTON ASSY, 19.0	4							N
(A=EZZZZZ)											
1-2	1	129671-22052	PISTON ASSY,19.0	4							N
(A=EZZZZZ)											
1A	1	129672-22020	PISTON ASSY, 18.0		4						
1A-1	1	129672-22021	PISTON ASSY, 18.0		4	4					N
(B=EZZZZZ)											
3	2	729692-22510	RING SET, PISTON	4	4						
3-1	2	729692-22511	PISTON RING CMP	4	4						N
(A=EXXXXX) (B=EXXXXX)											
3-2	2	129673-22500	PISTON RING CMP	4	4						N
(A=EZZZZZ) (B=EZZZZZ)											
3-3	2	129673-22501	RING SET,PISTON	4	4	4					N
(A=EZZZZZ) (B=EZZZZZ)											
7	1	129573-22301	PIN, PISTON D28 L69	4	4	4					
8	1	22252-000280	RING, 28	8	8	8					
9	1	729573-23700	ROD ASSY, CONNECTING	4	4	4					
13	2	121550-23200	BOLT, CONNECTING ROD	8	8	8					
14	2	129150-23600	BEARING, CRANK PIN	4							
14-1	2	129150-23601	BEARING, CRANK PIN	4	4	4					N
(A=*2006.06)											
16	1	129150-23610	BEARING, 0.25 US	4							1
16-1	1	129150-23611	BEARING, 0.25 US	4	4	4					N 1
(A=*2006.06)											

Remarks

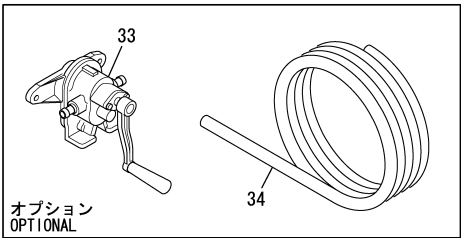
(1)Under sized(U.S.=0.25)parts.

N:Old  $\xrightarrow{\text{Yes}}$  New, Q:Old  $\xrightarrow{\text{No}}$  New, R:Old  $\xrightarrow{\text{Yes}}$  New, S:Old  $\xrightarrow{\text{No}}$  New, W:Add, Z:Discontinued, F:Interchangeable by set, K:Q'ty Change

Fig.17. LUB. OIL SYSTEM

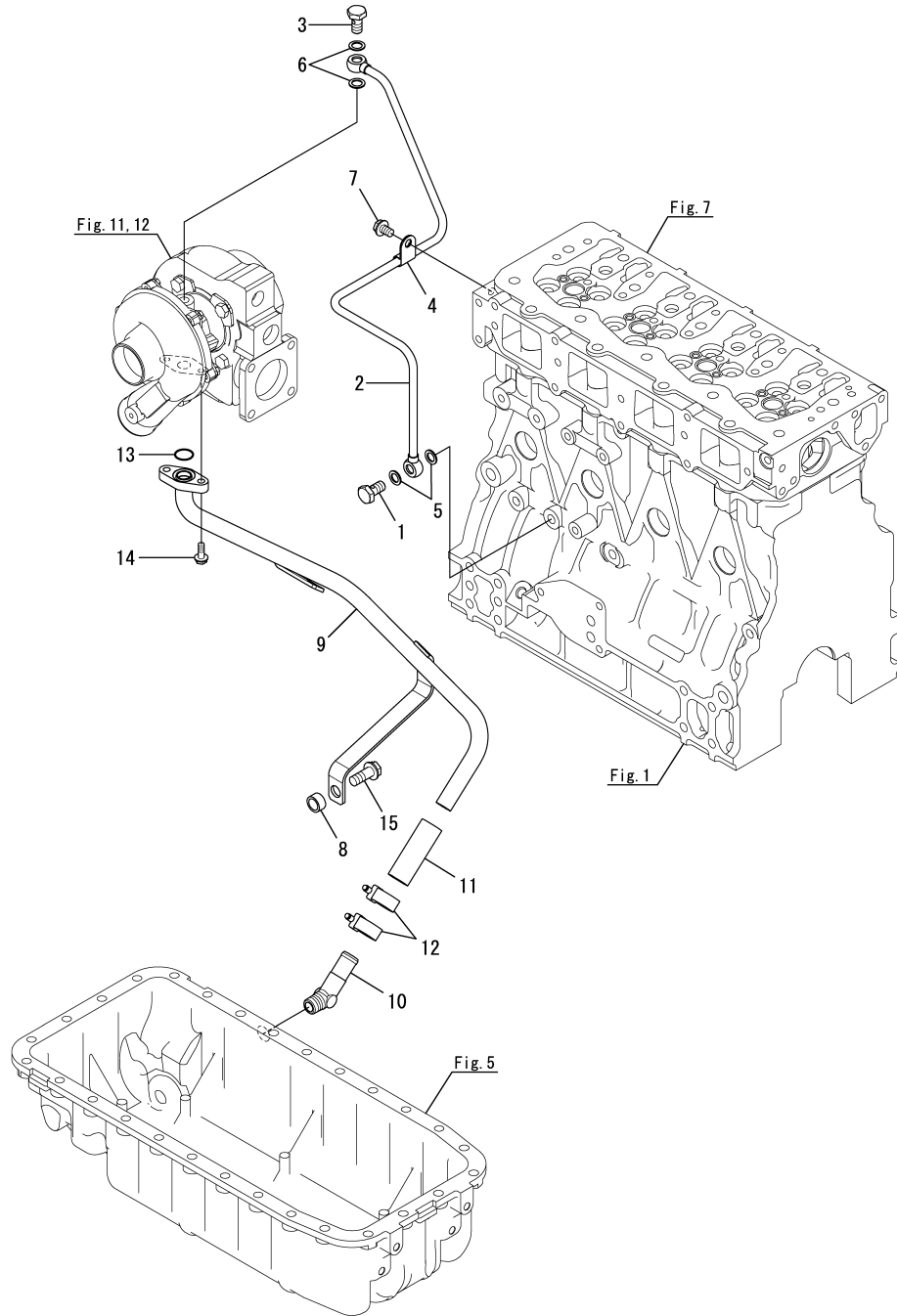


No.	Lev.	Parts No.	Description	Qty						I	R
				(A)	(B)	(C)	(D)	(E)	(F)		
1	1	129671-32000	PUMP ASSY, OIL	1	1	1					
2	1	129150-32020	GASKET, PUMP	1	1	1					
3	1	26450-060252	BOLT, M6X 25	4	4	4					
4	1	129150-35042	GASKET	1	1	1					
5	1	129473-35091	PIPE ASSY, OIL INLET	1	1	1					
6	1	22217-080000	WASHER, SPRING 8	1	1	1					
7	1	26106-080142	BOLT, M8X 14 PLATED	1	1	1					
8	1	26106-080352	BOLT, M8X 35 PLATED	2	2	2					
9	1	129672-33050	COOLER ASSY, OIL	1	1	1					
10	1	129908-33101	BRACKET, COOLER	1	1	1					
11	1	129417-33110	NUT	1	1						
11-1	1	129417-33111	NUT, OIL COOLER	1	1	1					R
		(A=EXXXXX)	(B=EXXXXX)								
12	1	129672-35000	BRACKET ASSY, FILTER	1	1	1					
13	2	124160-01910	PLUG, PT1/4	2	2	2					
14	2	129672-33060	BOLT, FILTER	1	1	1					
16	1	129103-35122	GASKET	1	1	1					
17	1	129150-35153	FILTER	1	1						1
18	1	119620-49290	COCK ASSY, 1/4	1	1	1					
22	1	129672-49310	PIPE, WATER	1	1	1					
23	1	129672-49320	PIPE, WATER	1	1	1					
25	2	129672-49340	TUBE, CORRUGATED	1	1	1					
26	1	129671-49410	JOINT	1	1	1					
27	1	23000-022000	CLAMP, 22	4	4	4					
28	1	24321-000600	O-RING, 1AG60.0	1	1	1					
29	1	26106-080202	BOLT, M8X 20 PLATED	2	2	2					
30	1	26106-080352	BOLT, M8X 35 PLATED	1	1	1					
31	1	124460-77680	RETAINER	1	1	1					
32	1	23061-070300	PIPE, 7X 300	1	1	1					
33	1	124413-39100	PUMP ASSY, WASTE	1	1						Z
		(A=EXXXXX)	(B=EXXXXX)								
34	1	43720-001220	PIPE	1	1						
34-1	1	129670-39990	HOSE,OIL DRAIN 3M	1	1						R
		(A=EXXXXX)	(B=EXXXXX)								
34-2	1	129670-39990	HOSE,OIL DRAIN 3M	1	1						Z
		(A=EXXXXX)	(B=EXXXXX)								
35	1	121750-59890	BAND, 140	1	1	1					



Remarks  
(1) Spare parts.

Fig.18. LUB. OIL PIPE

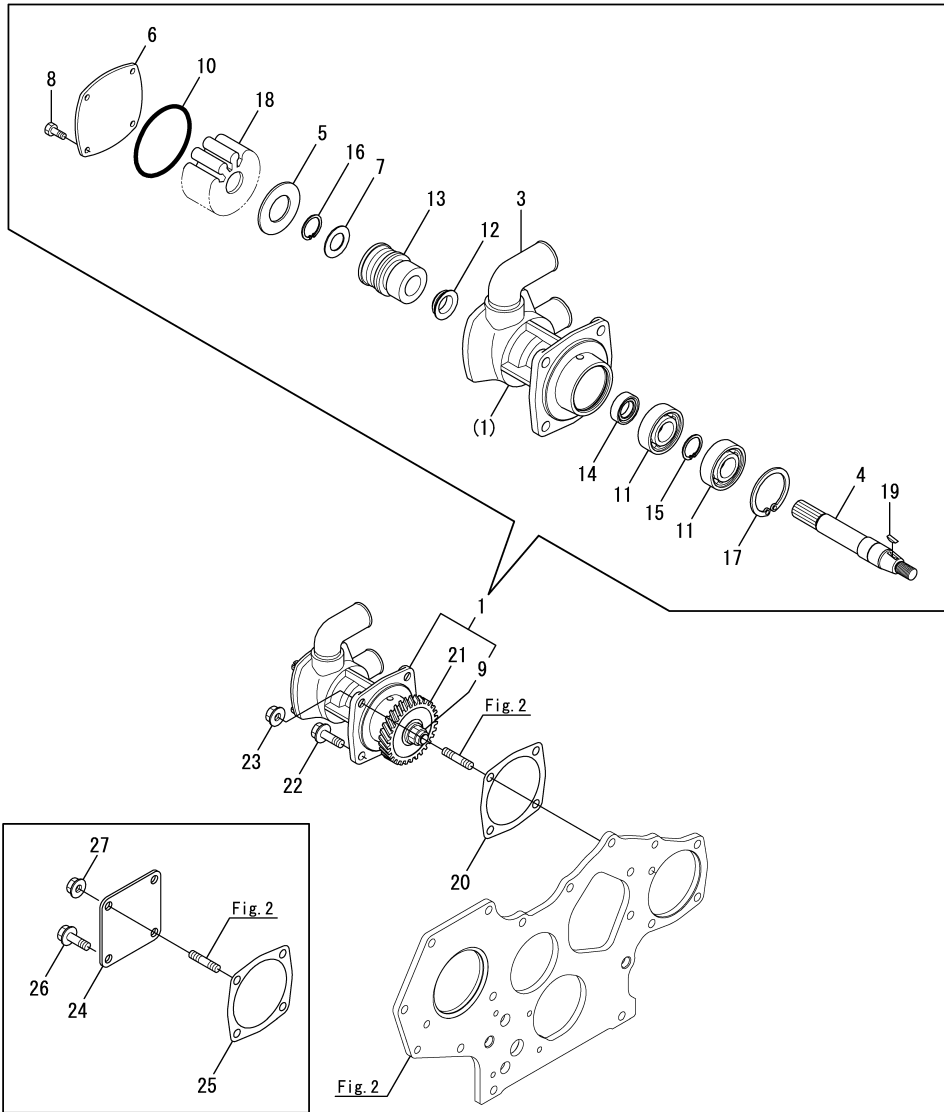


(A)=4JH4-TE  
(B)=4JH4-HTE  
(C)=4JH4-HTE1

(D)=  
(E)=  
(F)=

No.	Lev.	Parts No.	Description	Q'ty						I	R
				(A)	(B)	(C)	(D)	(E)	(F)		
1	1	124160-39140	BOLT, PIPE JOINT M10	1	1	1					
2	1	129671-39460	PIPE ASSY	1	1	1					
3	1	124413-39710	BOLT, PIPE JOINT M10	1	1	1					
4	1	124223-39900	RETAINER	1	1	1					
5	1	22190-100002	WASHER, SEAL 10	2	2	2					
6	1	23414-100000	GASKET, 10X1.0	2	2	2					
7	1	26106-080122	BOLT, M8X 12 PLATED	1	1	1					
8	1	129301-34830	SPACER	1	1	1					
9	1	129693-39601	PIPE, OIL	1	1	1					
10	1	129472-39620	ELBOW, PT3/8	1	1	1					
11	1	123901-39820	HOSE	1	1	1					
12	1	23000-025000	CLAMP, 25	2	2	2					
13	1	24314-000180	O-RING, 4CP18.0	1	1	1					
14	1	26106-060162	BOLT, M6X 16 PLATED	2	2	2					
15	1	26106-100252	BOLT, M10X 25 PLATED	1	1	1					

Fig.19. COOLING SEA WATER PUMP

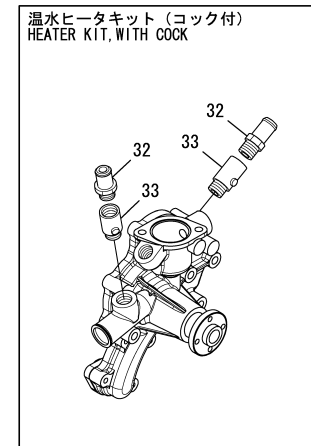
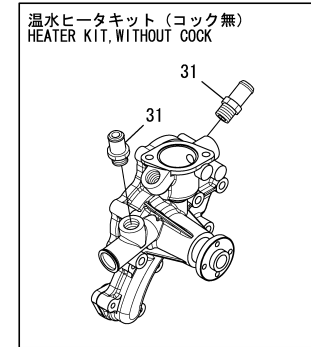
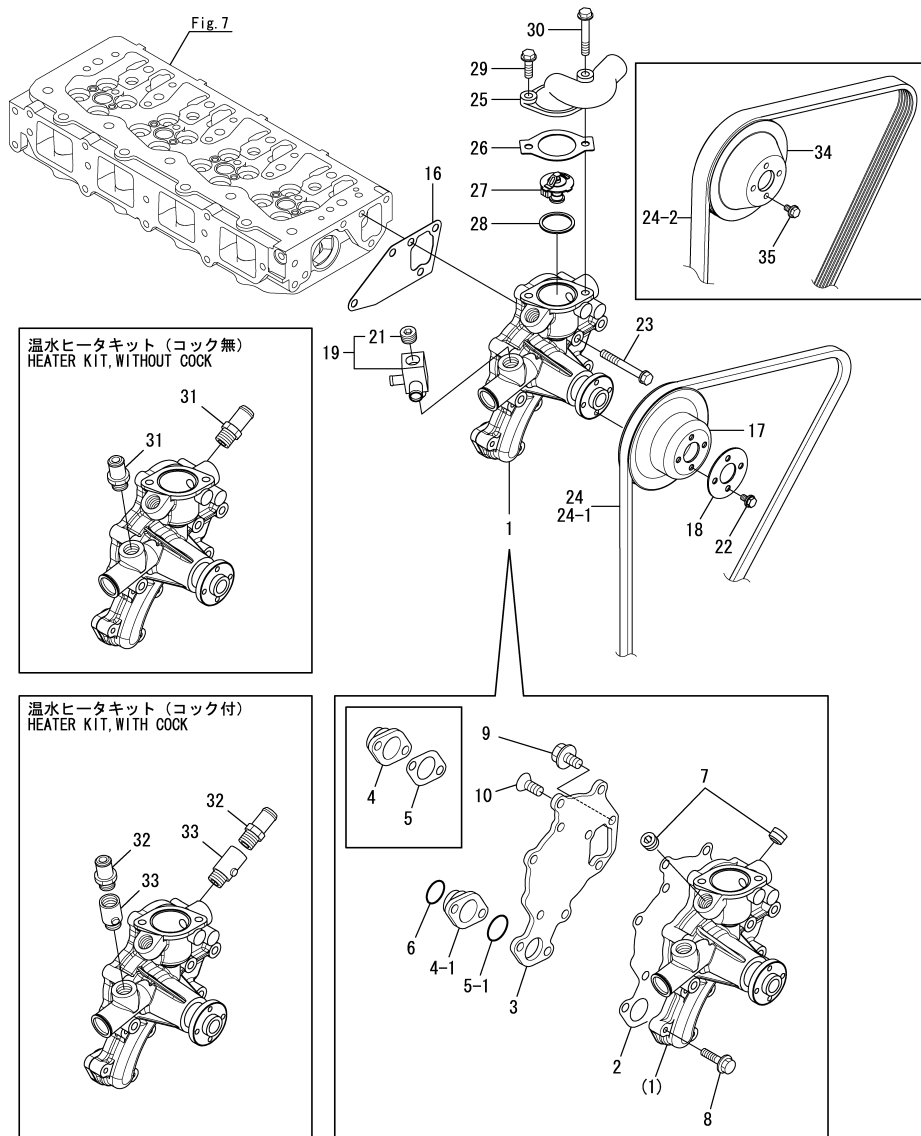


(A)=4JH4-TE  
(B)=4JH4-HTE  
(C)=4JH4-HTE1

(D)=  
(E)=  
(F)=

No.	Lev.	Parts No.	Description	Qty						I	R
				(A)	(B)	(C)	(D)	(E)	(F)		
1	1	129670-42512	PUMP ASSY, WATER	1	1	1					
3	2	X01357681	CONNECTOR	1	1	1					
4	2	X0146531	SHAFT	1	1	1					
5	2	129670-42540	PLATE	1	1	1					
6	2	129670-42520	COVER	1	1	1					
7	2	129670-42550	WASHER	1	1	1					
8	2	129271-42510	SCREW	4	4	4					
9	2	X00190001	NUT, LOCK	1	1	1					
10	2	119773-42570	O-RING	1	1	1					
11	2	X03431483	BEARING	2	2	2					
12	2	X02230015	RING	1	1	1					
13	2	129670-42560	SEAL, MECHANICAL	1	1	1					
14	2	X02233001	SEAL, LIP	1	1	1					
15	2	X00370017	CIRCLIP	1	1	1					
16	2	129670-42570	CIRCLIP	1	1	1					
17	2	X00371040	CIRCLIP	1	1	1					
18	2	129670-42531	IMPELLER	1	1	1					
19	2	129670-42580	KEY	1	1	1					
20	1	129150-01881	GASKET	1	1	1					
21	1	129670-42700	GEAR, PUMP	1	1	1					
22	1	26106-080252	BOLT, M8X 25 PLATED	3	3	3					
23	1	26306-080002	NUT, M8	1	1	1					
24	1	124240-01871	COVER	1	1	1					
25	1	129150-01881	GASKET	1	1	1					
25-1	1	129C26-01890	GASKET, HO-P	1	1	1					R
		(A=*2012.03) (B=*2012.03)									
26	1	26106-080252	BOLT, M8X 25 PLATED	3	3	3					
27	1	26306-080002	NUT, M8	1	1	1					

Fig.20. COOLING FRESH WATER PUMP



(A)=4JH4-TE  
(B)=4JH4-HTE  
(C)=4JH4-HTE1

(D)=  
(E)=  
(F)=

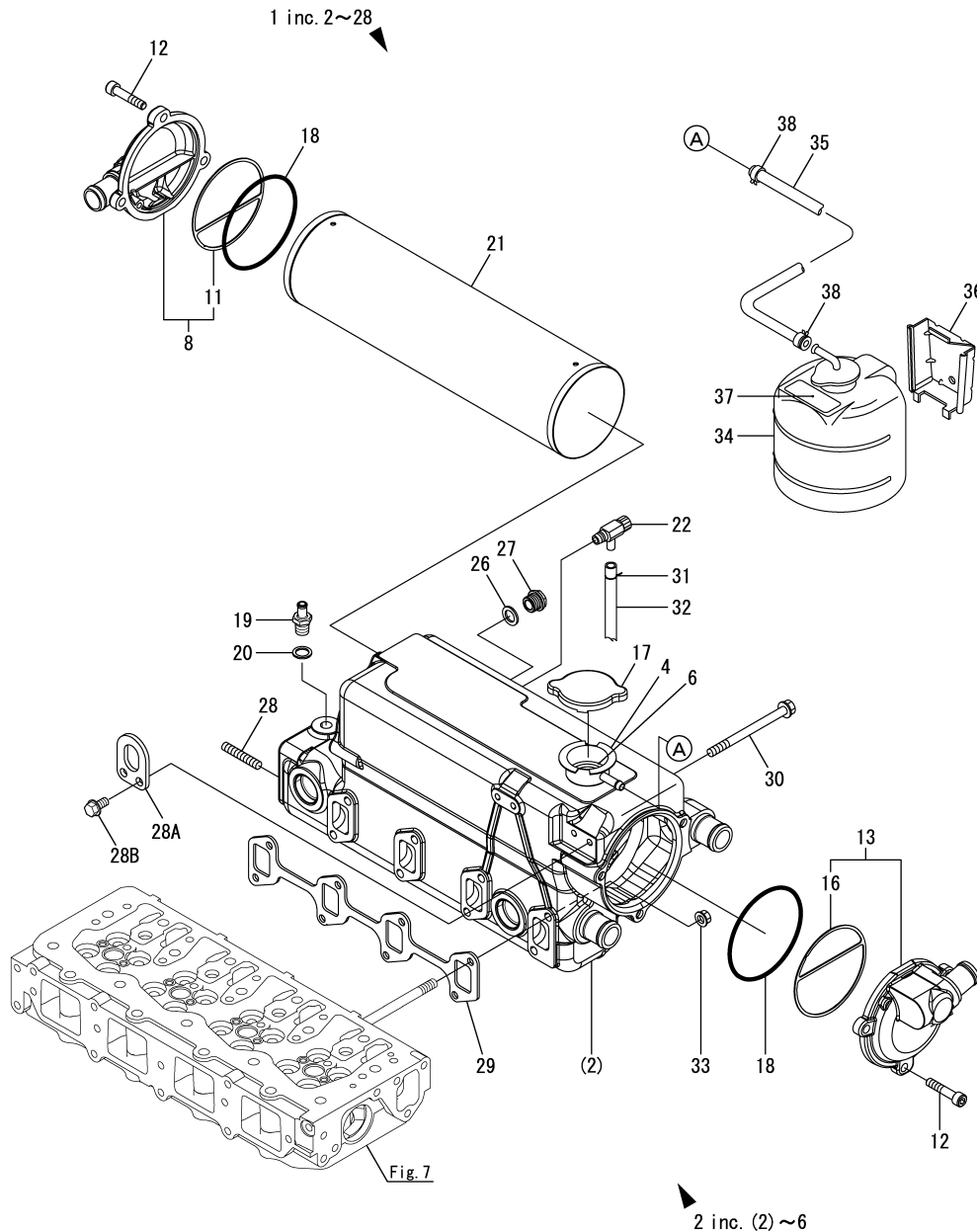
No.	Lev.	Parts No.	Description	Q'ty						I	R
				(A)	(B)	(C)	(D)	(E)	(F)		
1	1	129271-42001	PUMP ASSY, WATER	1	1	1					
2	2	129150-42059	GASKET	1	1	1					
3	2	129263-42120	PLATE	1	1	1					
4	2	129150-42300	FLANGE	1							
4-1	2	129150-42301	FLANGE	1	1	1					F 1
(A=*2006.08)											
5	2	129150-42319	GASKET	1							
5-1	2	24358-240310	O-RING, 524031	1	1	1					S
(A=*2006.08)											
6	2	129054-42320	O-RING	1	1	1					
7	2	129916-49740	PLUG, R03	2	2	2					
8	2	26106-060202	BOLT, M6X 20 PLATED	2	2	2					
9	2	26116-060162	BOLT, M6X 16 PLATED	3	3	3					
10	2	26577-060142	SCREW M 6X 14	3	3	3					
16	1	129486-42050	GASKET, WATER PUMP	1	1	1					
17	1	129550-42350	V-PULLEY, D=120	1	1	1					Z
(A=E15602) (B=E24940) (C=E40232)											
18	1	129156-44760	WASHER	1	1	1					Z
(A=E15602) (B=E24940) (C=E40232)											
19	1	129671-49430	JOINT ASSY	1	1	1					
21	2	23875-030000	PLUG, R03	1	1	1					
22	1	26106-060102	BOLT, M6X 10 PLATED	4	4	4					Z
(A=E15602) (B=E24940) (C=E40232)											
23	1	26106-080552	BOLT, M8X 55 PLATED	4	4	4					
24	1	25132-004600	V-BELT, A46	1							2
24-1	1	129671-42280	V-BELT, A45.5	1	1	1					N 2
(A=*2006.07)											
24-2	1	129671-77680	BELT, ALTERNATOR 6PK	1	1	1					S 3
(A=E15602) (B=E24940) (C=E40232)											
25	1	129573-49540	COVER, THERMOSTAT	1	1	1					
26	1	129795-49551	GASKET	1	1	1					
27	1	129470-49801	THERMOSTAT, 76.5	1	1	1					
28	1	129470-49810	GASKET, THERMOSTAT	1	1	1					
28-1	1	129150-49811	GASKET, THERMOSTAT	1	1	1					R
(A=EXXXXX) (B=EXXXXX)											
29	1	26106-080252	BOLT, M8X 25 PLATED	1	1	1					
30	1	26106-080502	BOLT, M8X 50 PLATED	1	1	1					
31	1	128990-49320	JOINT, 3/8	2	2	2					
32	1	128990-49320	JOINT, 3/8	2	2	2					
33	1	129670-49390	COCK ASSY, R1/4XRP3/8	2	2	2					
34	1	129271-42350	PULLEY, CW PUMP 6PK	1	1	1					W 2
(A=E15602) (B=E24940) (C=E40232)											
35	1	26106-060122	BOLT, M6X 12 PLATED	4	4	4					W 2
(A=E15602) (B=E24940) (C=E40232)											

Remarks

- (1) Interchangeable by simultaneous replacement with No.5-1.
- (2) HITACHI generator spec.
- (3) Valeo generator spec.



Fig.21. COOLING FRESH WATER COOLER



(A)=4JH4-TE  
(B)=4JH4-HTE  
(C)=4JH4-HTE1

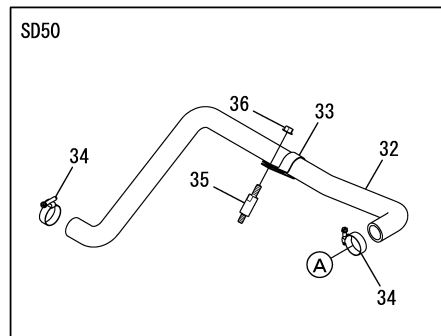
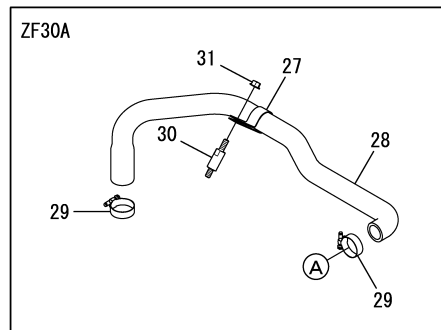
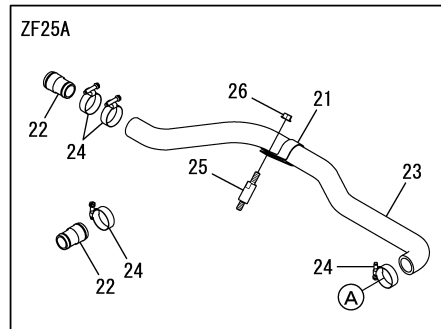
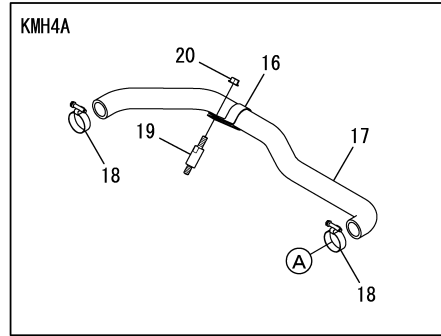
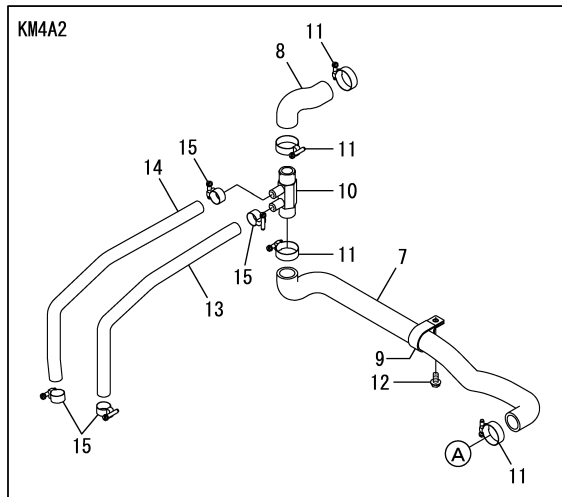
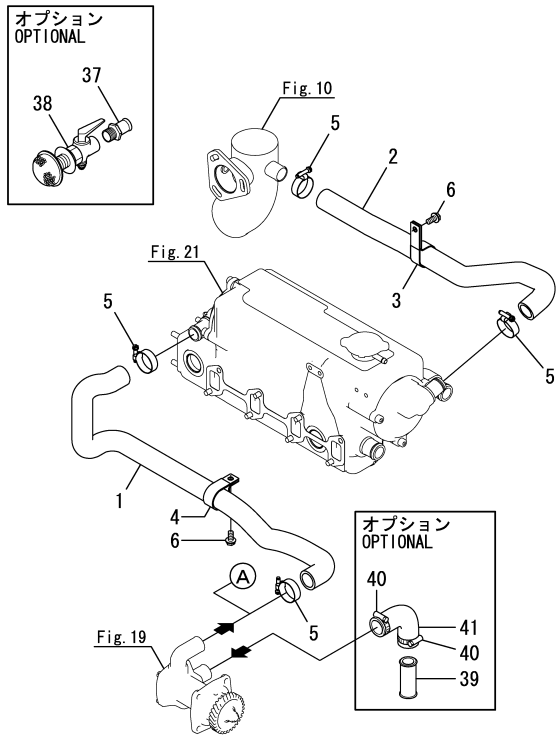
(D)=  
(E)=  
(F)=

No.	Lev.	Parts No.	Description	Q'ty						I	R
				(A)	(B)	(C)	(D)	(E)	(F)		
1	1	129672-44900	HEAT EXCHANGER ASSY	1	1	1					
2	2	129672-44020	BODY,COOLER CMP	1	1	1					
4	3	129673-44110	FILLER	1	1	1					
6	3	129673-44150	TUBE, D28.5X1.5 LG6	1	1	1					
8	2	129672-44070	COVER ASSY	1	1	1					
11	3	129693-44420	GASKET	1	1	1					
12	2	129673-44090	BOLT, M8X40	6	6	6					
13	2	129672-44100	COVER ASSY	1	1	1					
16	3	129693-44420	GASKET	1	1	1					
17	2	129673-44131	CAP	1	1	1					
18	2	129672-44150	O-RING, 99.5X3	2	2	2					
19	2	129672-44160	PLUG, G1/4	1	1	1					
20	2	129672-44170	GASKET 13.5-19	1	1	1					
21	2	129672-44400	CORE ASSY, COOLER	1	1	1					
22	2	119620-49290	COCK ASSY, 1/4	1	1	1					
26	2	23414-170000	GASKET, 17X1.0	1	1	1					
27	2	23893-030002	PLUG, G3/8	1	1						
27-1	2	23894-030002	PLUG, G3/8	1	1	1					R
		(A=EXXXXX) (B=EXXXXX)									
28	2	128170-13600	STUD, M8X31	4	4						
28-1	2	129670-13600	STUD	4	4	4					R
		(A=EXXXXX) (B=EXXXXX)									
28A	2	129670-07230	LIFTER	1	1	1					W
		(A=EXXXXX) (B=EXXXXX)									
28B	2	26450-080162	BOLT, M8X 16	2	2	2					W
		(A=EXXXXX) (B=EXXXXX)									
29	1	129550-13110	GASKET	1	1	1					
30	1	129693-44310	BOLT	6	6						
30-1	1	129671-44310	BOLT(CFW COOLER	6	6	6					R
		(A=EXXXXX) (B=EXXXXX)									
31	1	124460-77680	RETAINER	1	1	1					
32	1	23061-070300	PIPE, 7X 300	1	1	1					
33	1	26306-080002	NUT, M8	2	2	2					
34	1	128397-44500	TANK ASSY, SUB	1	1	1					
35	1	129270-44501	PIPE	1	1	1					
36	1	128397-44510	BRACKET	1	1	1					
37	1	129670-44570	LABEL, SUB-TANK	1	1	1					
38	1	23010-013000	CLAMP 13	2	2	2					

Fig.22. COOLING SEA WATER PIPE(4JH4-TE)

(A)=4JH4-TE  
(B)=4JH4-HTE  
(C)=4JH4-HTE1

(D)=  
(E)=  
(F)=

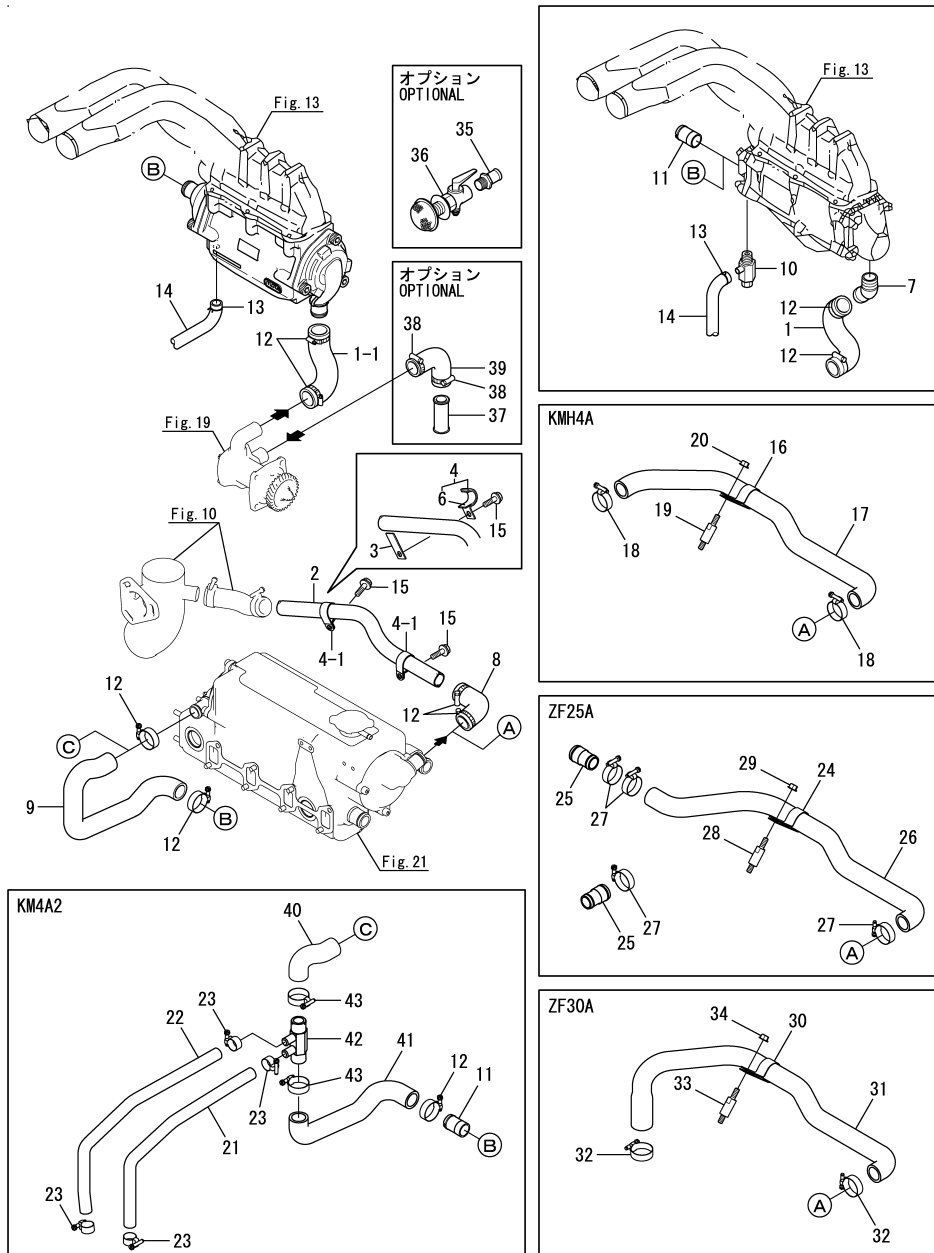


No.	Lev.	Parts No.	Description	Q'ty						I	R
				(A)	(B)	(C)	(D)	(E)	(F)		
1	1	129671-49010	PIPE, WATER	1							
2	1	129671-49020	PIPE, WATER	1							
3	1	129671-49110	RETAINER	1							
4	1	129671-49120	RETAINER	1							
5	1	129670-49500	CLIP, HOSE 38	4							
6	1	26106-080162	BOLT, M8X 16 PLATED	2							
7	1	129671-49030	PIPE, WATER	1							
8	1	129672-49030	PIPE, WATER	1							
9	1	129671-49120	RETAINER	1							
10	1	129670-49410	JOINT	1							
11	1	129670-49500	CLIP, HOSE 38	4							
12	1	26106-080162	BOLT, M8X 16 PLATED	1							
13	1	129671-49230	PIPE, WATER	1							
14	1	129671-49240	PIPE, WATER	1							
15	1	23000-022000	CLAMP, 22	4							
16	1	129671-49110	RETAINER	1							
17	1	129672-49410	PIPE, WATER	1							
18	1	129670-49500	CLIP, HOSE 38	2							
19	1	129271-77420	BOLT	1							
20	1	26366-080002	NUT, M8	1							
21	1	129671-49110	RETAINER	1							
22	1	129673-49410	JOINT	2							
23	1	129673-49420	PIPE, CSW ZF25A	1							
24	1	129670-49500	CLIP, HOSE 38	4							
25	1	129271-77420	BOLT	1							
26	1	26366-080002	NUT, M8	1							
27	1	129671-49110	RETAINER	1							
28	1	129673-49430	PIPE, WATER	1							
29	1	129670-49500	CLIP, HOSE 38	2							
30	1	129271-77420	BOLT	1							
31	1	26366-080002	NUT, M8	1							
32	1	129671-49100	PIPE, WATER	1							
33	1	129671-49110	RETAINER	1							
34	1	129670-49500	CLIP, HOSE 38	2							
35	1	129271-77420	BOLT	1							
36	1	26366-080002	NUT, M8	1							
37	1	43530-500570	JOINT, PIPE	1							
38	1	43662-025030	COCK ASSY, KINGSTON	1							
38-1	1	43662-025031	COCK, KINGSTON	1							N
(A)=EXXXXX)											
39	1	129490-49070	JOINT	1							
40	1	129670-49500	CLIP, HOSE 38	2							
41	1	129171-49900	JOINT, RUBBER	1							

Fig.23. COOLING SEA WATER PIPE(4JH4-HT/HT1)

(A)=4JH4-TE  
(B)=4JH4-HTE  
(C)=4JH4-HTE1

(D)=  
(E)=  
(F)=



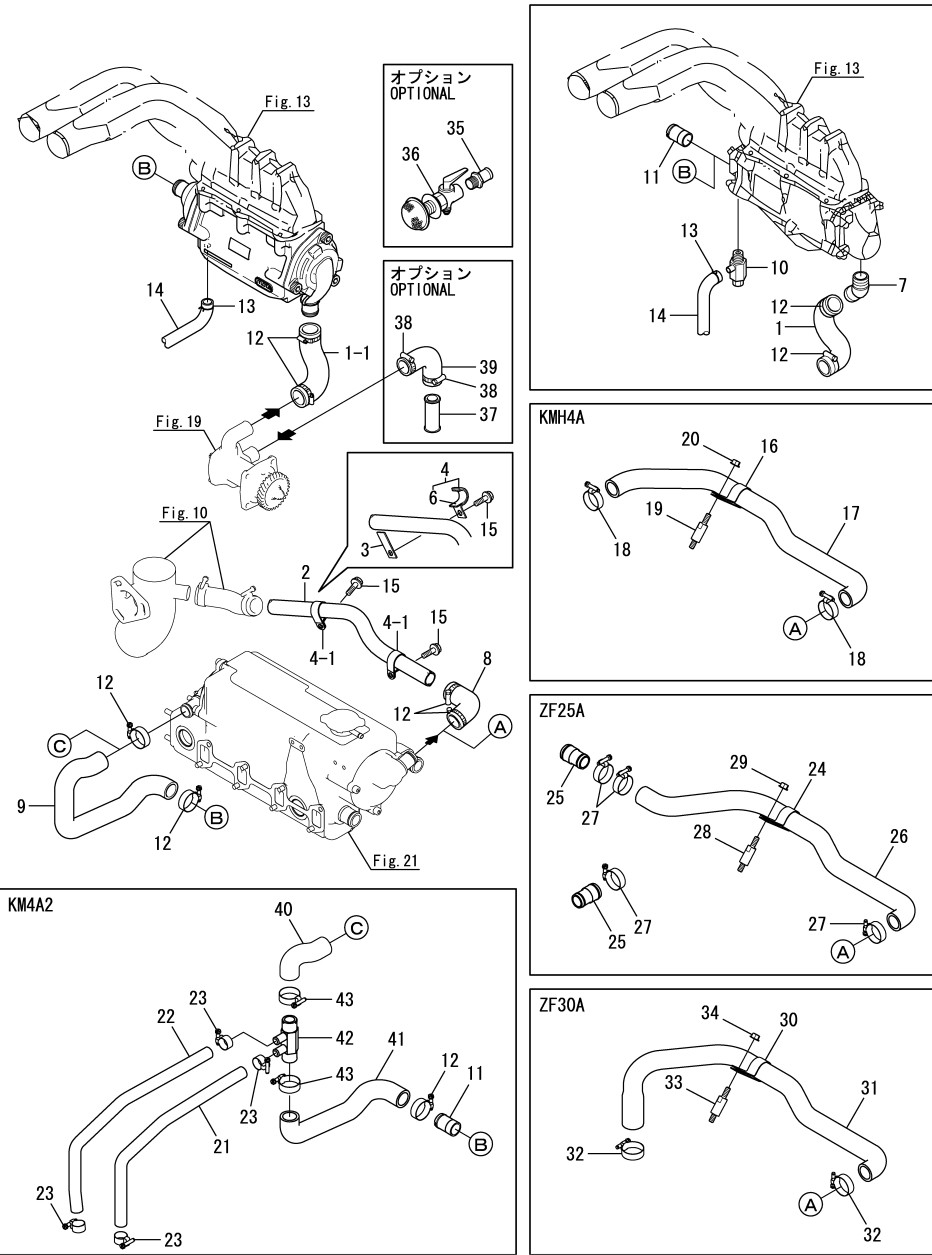
No.	Lev.	Parts No.	Description	Q'ty						I	R
				(A)	(B)	(C)	(D)	(E)	(F)		
1	1	129673-49010	PIPE, WATER		1						
1-1	1	129672-49060	PIPE, WATER (B=*2006.10)		1	1					S 1
2	1	129698-49020	PIPE, WATER		1	1					
3	1	129693-49040	RETAINER, PIPE (B=*2009.06)		2						Z
4	1	129693-49050	RETAINER ASSY (B=*2009.06)		2						Z
4-1	1	129672-49050	RETAINER,CSW (B=*2009.06)		2	2					W
6	2	127675-82650	SEAT (B=*2009.06)		2						Z
7	1	129673-49060	ELBOW, 45 (B=*2006.10)		1						Z
8	1	129672-49070	PIPE, WATER		1	1					
9	1	129672-49230	PIPE, WATER		1	1					
10	1	119620-49290	COCK ASSY, 1/4 (B=*2006.10)		1						Z
11	1	129672-49420	JOINT, PIPE (B=*2006.10)		1						Z
12	1	129670-49500	CLIP, HOSE 38		6	6					
13	1	124460-77680	RETAINER		1	1					
14	1	23061-070300	PIPE, 7X 300		1	1					
15	1	26106-080162	BOLT, M8X 16 PLATED		2	2					
16	1	129671-49110	RETAINER		1	1					
17	1	129672-49410	PIPE, WATER		1	1					
18	1	129670-49500	CLIP, HOSE 38		2	2					
19	1	129271-77420	BOLT		1	1					
20	1	26366-080002	NUT, M8		1	1					
21	1	129671-49230	PIPE, WATER		1	1					
22	1	129671-49240	PIPE, WATER		1	1					
23	1	23000-022000	CLAMP, 22		4	4					
24	1	129671-49110	RETAINER		1	1					
25	1	129673-49410	JOINT		2	2					
26	1	129673-49420	PIPE, CSW ZF25A		1	1					
27	1	129670-49500	CLIP, HOSE 38		4	4					
28	1	129271-77420	BOLT		1	1					
29	1	26366-080002	NUT, M8		1	1					
30	1	129671-49110	RETAINER		1	1					
31	1	129673-49430	PIPE, WATER		1	1					
32	1	129670-49500	CLIP, HOSE 38		2	2					
33	1	129271-77420	BOLT		1	1					
34	1	26366-080002	NUT, M8		1	1					
35	1	43530-500570	JOINT, PIPE		1	1					
36	1	43662-025030	COCK ASSY, KINGSTON		1						
36-1	1	43662-025031	COCK, KINGSTON (B=EXXXXX)		1	1					N
37	1	129490-49070	JOINT		1	1					
38	1	129670-49500	CLIP, HOSE 38		2	2					
39	1	129171-49900	JOINT, RUBBER		1	1					
40	1	129672-49030	PIPE, WATER		1	1					

Remarks  
(1)Interchangeable by simultaneous replacement with Fig.13 No.1-1.

Fig.23. COOLING SEA WATER PIPE(4JH4-HT/HT1)

(A)=4JH4-TE  
(B)=4JH4-HTE  
(C)=4JH4-HTE1

(D)=  
(E)=  
(F)=



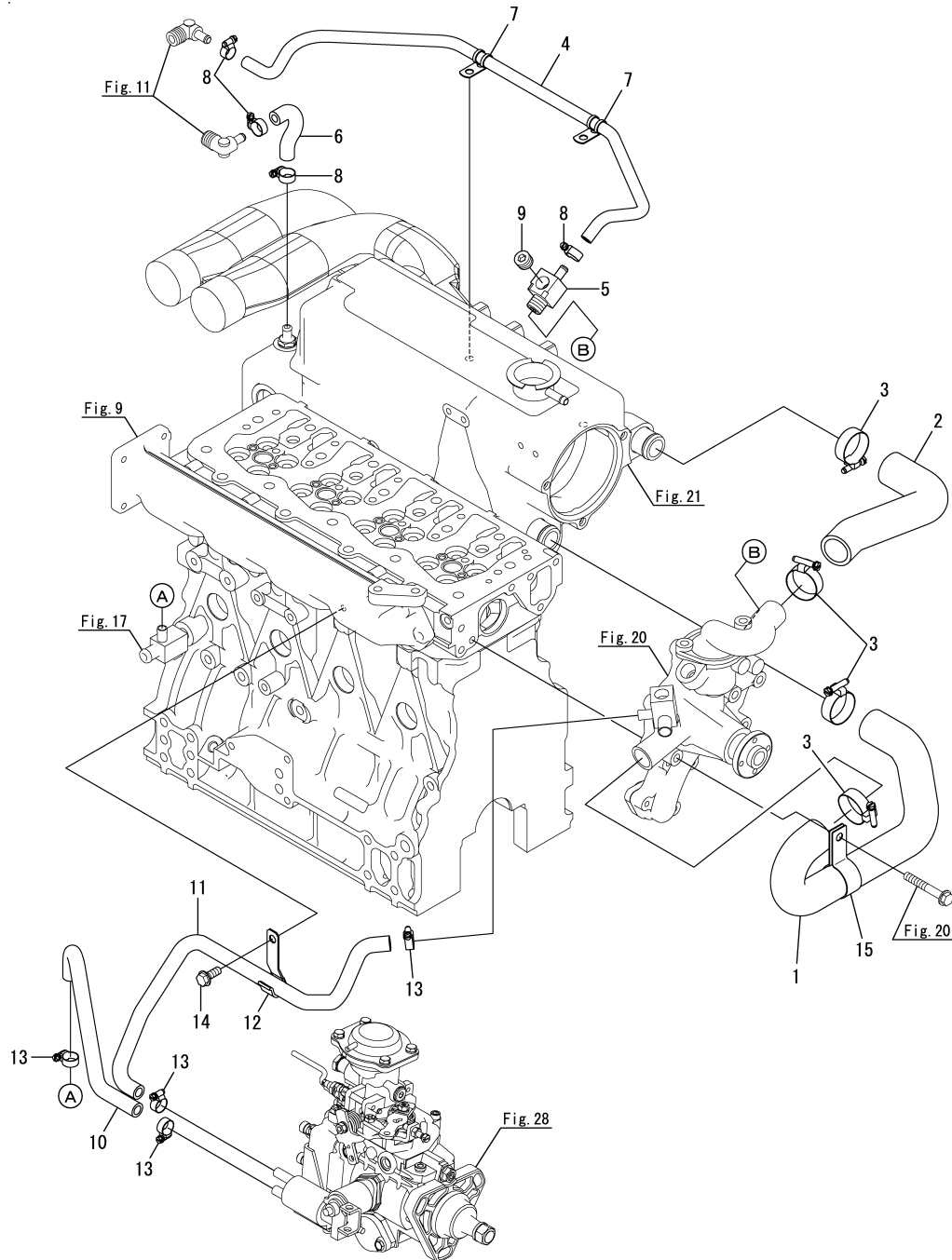
No.	Lev.	Parts No.	Description	Qty						I	R
				(A)	(B)	(C)	(D)	(E)	(F)		
41	1	129672-49240	PIPE, WATER		1	1					
42	1	129670-49410	JOINT		1	1					
43	1	129670-49500	CLIP, HOSE 38		2	2					

Remarks  
(1)Interchangeable by simultaneous replacement with Fig.13 No.1-1.

Fig.24. COOLING FRESH WATER PIPE

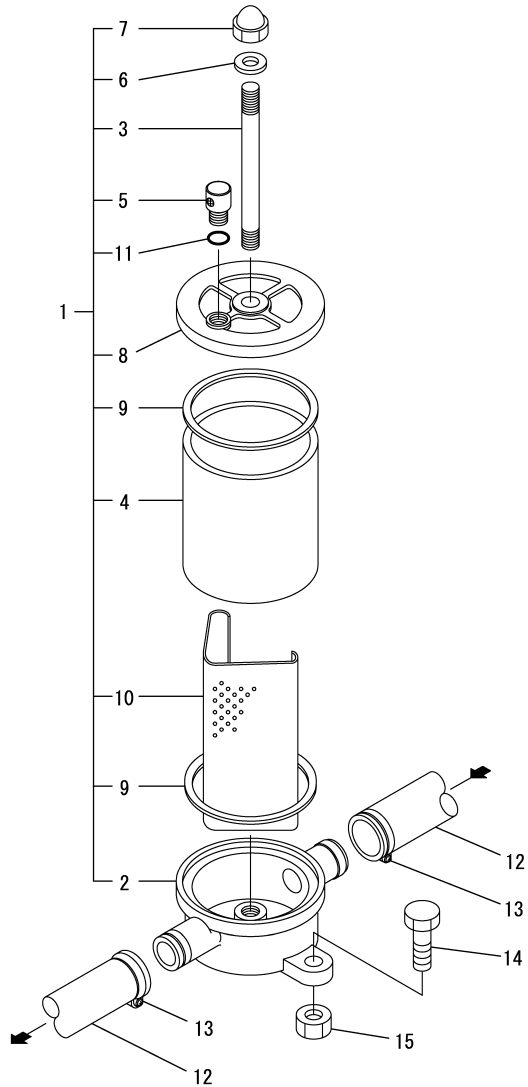
(A)=4JH4-TE  
(B)=4JH4-HTE  
(C)=4JH4-HTE1

(D)=  
(E)=  
(F)=



No.	Lev.	Parts No.	Description	Q'ty						I	R
				(A)	(B)	(C)	(D)	(E)	(F)		
1	1	129671-49220	PIPE, WATER	1	1	1					
2	1	129672-49260	PIPE, COOLING WATER	1	1	1					
3	1	129670-49500	CLIP, HOSE 38	4	4	4					
4	1	129673-44560	PIPE, OVERFLOW	1	1	1					
5	1	129473-49310	JOINT, PT3/8-8	1	1						
5-1	1	129673-49310	JOINT, PT3/8-8	1	1	1					R
(A=EXXXXX) (B=EXXXXX)											
6	1	129672-49500	PIPE	1	1	1					
7	1	194440-51620	CLAMP	2	2	2					
8	1	23000-013000	CLAMP, 13	4	4	4					
9	1	23876-030000	PLUG, R03	1	1	1					
10	1	129671-49310	PIPE, WATER	1	1	1					
11	1	129671-49320	PIPE, WATER	1	1	1					
12	1	129671-49330	CLAMP, PIPE	1	1	1					
13	1	23000-016000	CLAMP, 16	4	4						
13-1	1	23000-019000	CLAMP, 19	4	4	4					R
(A=EXXXXX) (B=EXXXXX)											
14	1	26106-080102	BOLT, M8X 10 PLATED	1	1	1					
15	1	129271-49110	RETAINER, PIPE	1	1	1					W
(A=*2009.06) (B=*2009.06)											

Fig.25. COOLING SEA WATER STRAINER(OPTIONAL)

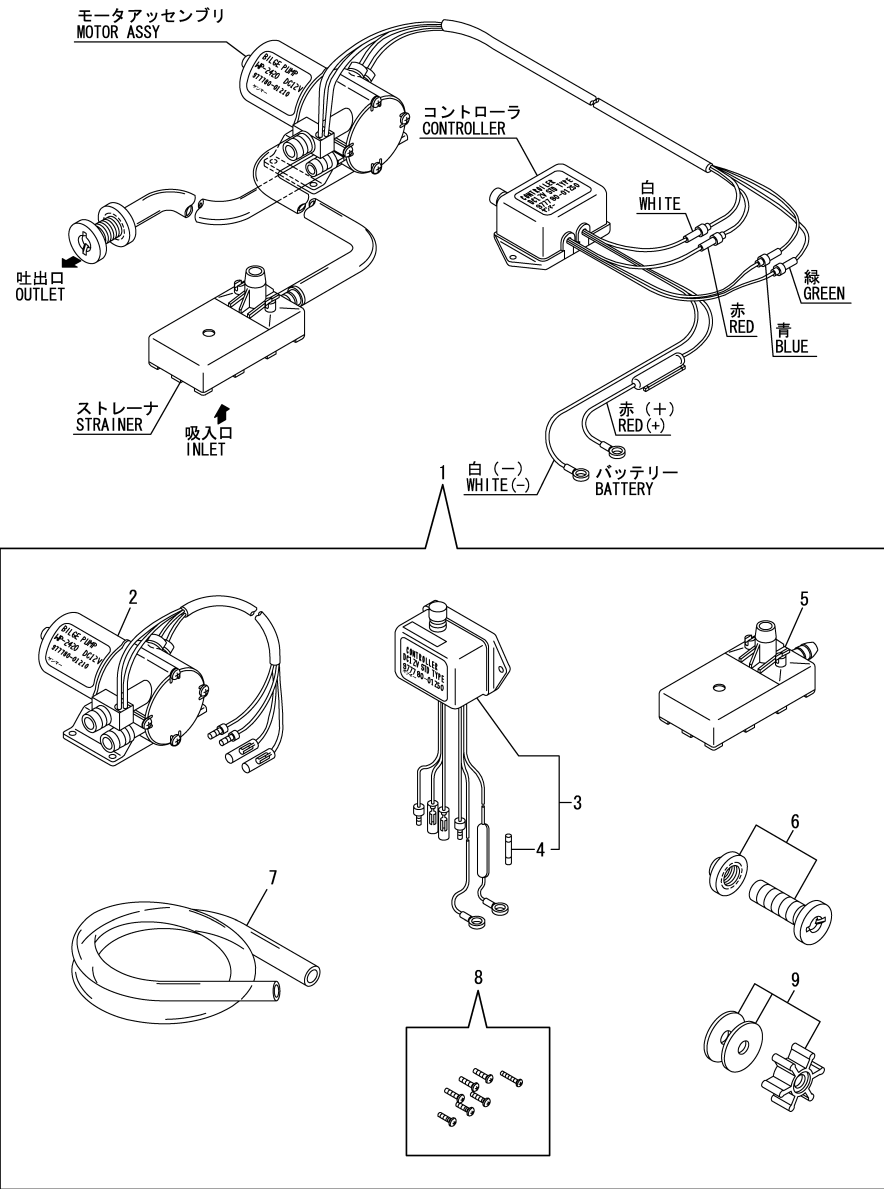


(A)=4JH4-TE  
(B)=4JH4-HTE  
(C)=4JH4-HTE1

(D)=  
(E)=  
(F)=

No.	Lev.	Parts No.	Description	Q'ty						I	R
				(A)	(B)	(C)	(D)	(E)	(F)		
1	1	129795-48800	STRAINER	1	1	1					
2	2	XTST25S001	BODY	1	1	1					
3	2	XTST25S002	BOLT M 8X125	1	1	1					
4	2	XTST25S003	PIPE, OUTER	1	1	1					
5	2	XTST25S004	PLUG M 8	1	1	1					
6	2	XTST25S005	PACKING	1	1	1					
7	2	26664-080002	NUT, CAP M8	1	1	1					
8	2	XTST25S007	COVER	1	1	1					
9	2	XTST25S008	PACKING	2	2	2					
10	2	XTST25S009	FILTER	1	1	1					
11	2	24311-000060	O-RING, 1AP6.0	1	1	1					
12	1	23072-101000	HOSE, 10X1000	1	1	1					
13	1	129670-49500	CLIP, HOSE 38	2	2	2					
14	1	26116-080302	BOLT, M8X 30 PLATED	2	2	2					
15	1	26703-080002	NUT, M8	2	2	2					

Fig.26. BILGE PUMP(STD/OPTIONAL)



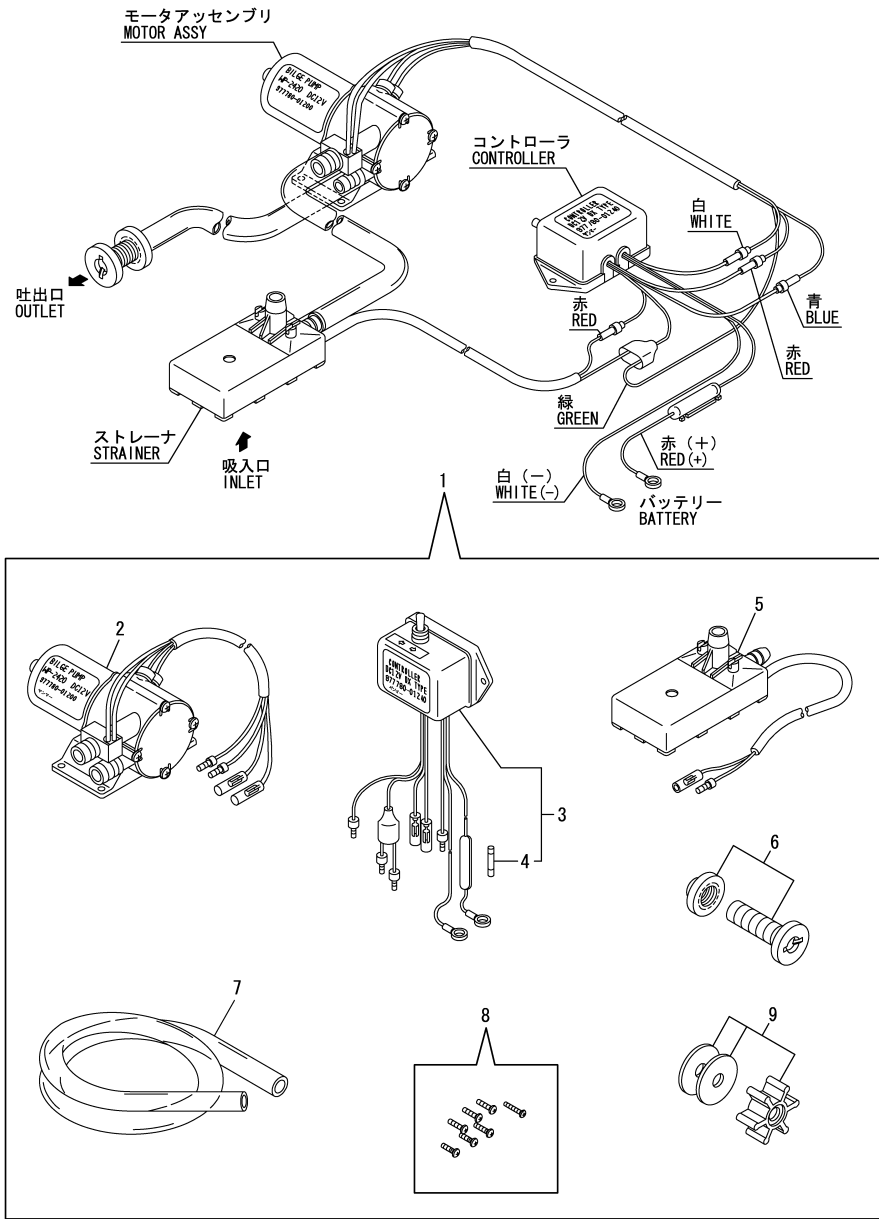
(A)=4JH4-TE  
(B)=4JH4-HTE  
(C)=4JH4-HTE1

(D)=  
(E)=  
(F)=

No.	Lev.	Parts No.	Description	Q'ty						I	R
				(A)	(B)	(C)	(D)	(E)	(F)		
1	1	977780-01210	PUMP(12V),BILGE	1	1						
1-1	1	977780-01211	PUMP ASSY, BILGE	1	1	1					N 1
				(A=EXXXXX)		(B=EXXXXX)					
2	2	977780-01230	MOTOR ASSY(BILG PUMP	1	1						
3	2	977780-01250	CONTROLLER	1	1						
4	3	X8636008003	FUSE	1	1						
5	2	X179100021X	STRAINER	1	1						
6	2	X179100100X	PIPE ASSY	1	1						
7	2	X0044021509	HOSE A	1	1						
8	2	X199903800X	SCREW KIT	1	1						
9	2	977780-03000	INPELLER	1	1						

Remarks  
(1)Component parts:Refer to Fig.(27A)

Fig.27. BILGE PUMP(DX/OPTIONAL)



No.	Lev.	Parts No.	Description	Qty						I	R
				(A)	(B)	(C)	(D)	(E)	(F)		
1	1	977780-01200	PUMP(12V),BILGE	1	1						
1-1	1	977780-01211	PUMP ASSY, BILGE	1	1	1					N 1
				(A=EXXXXX)		(B=EXXXXX)					
2	2	977780-01230	MOTOR ASSY(BILG PUMP	1	1						
3	2	977780-01240	CONTROLLER	1	1						
4	3	X8636008003	FUSE	1	1						
5	2	X179100011X	STRAINER	1	1						
6	2	X179100100X	PIPE ASSY	1	1						
7	2	X0044021509	HOSE A	1	1						
8	2	X199903800X	SCREW KIT	1	1						
9	2	977780-03000	INPELLER	1	1						

Remarks  
 (1)Component parts:Refer to Fig.(27A)



Fig.50. (27A)BILGE PUMP(OPTIONAL)

(A)=4JH4-TE  
(B)=4JH4-HTE  
(C)=4JH4-HTE1

(D)=  
(E)=  
(F)=

No.	Lev.	Parts No.	Description	Q'ty						I	R
				(A)	(B)	(C)	(D)	(E)	(F)		
1	1	977780-01211 (A=EXXXXX) (B=EXXXXX)	PUMP ASSY, BILGE	1	1	1					W
2	2	X0318101004	MOTOR ASSY, BILGE	1	1	1					
3	2	X158606410X	SWITH	1	1	1					
4	3	X8636015001	FUSE	1	1	1					
5	2	X179100022X	STRAINER	1	1	1					
6	2	X179100100X	PIPE ASSY	1	1	1					
7	2	X0044021509	HOSE A	1	1	1					
8	2	X199906101X	SCREW SET	1	1	1					
9	2	977780-03000	INPELLER	1	1	1					

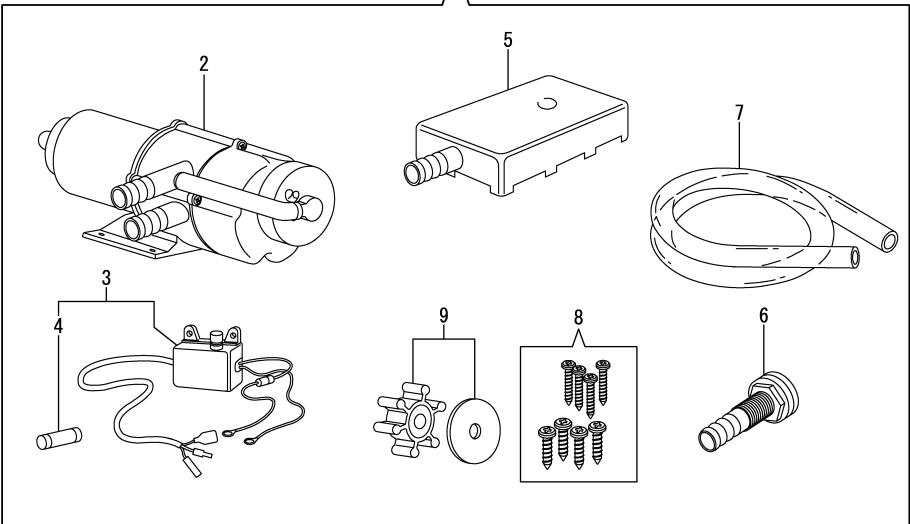
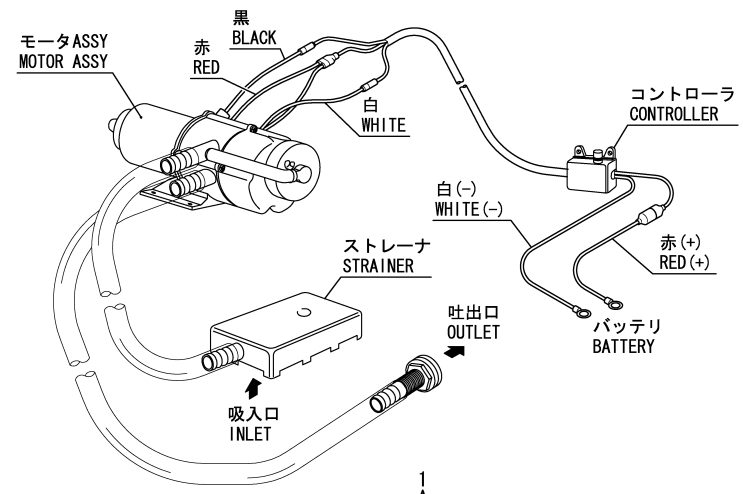
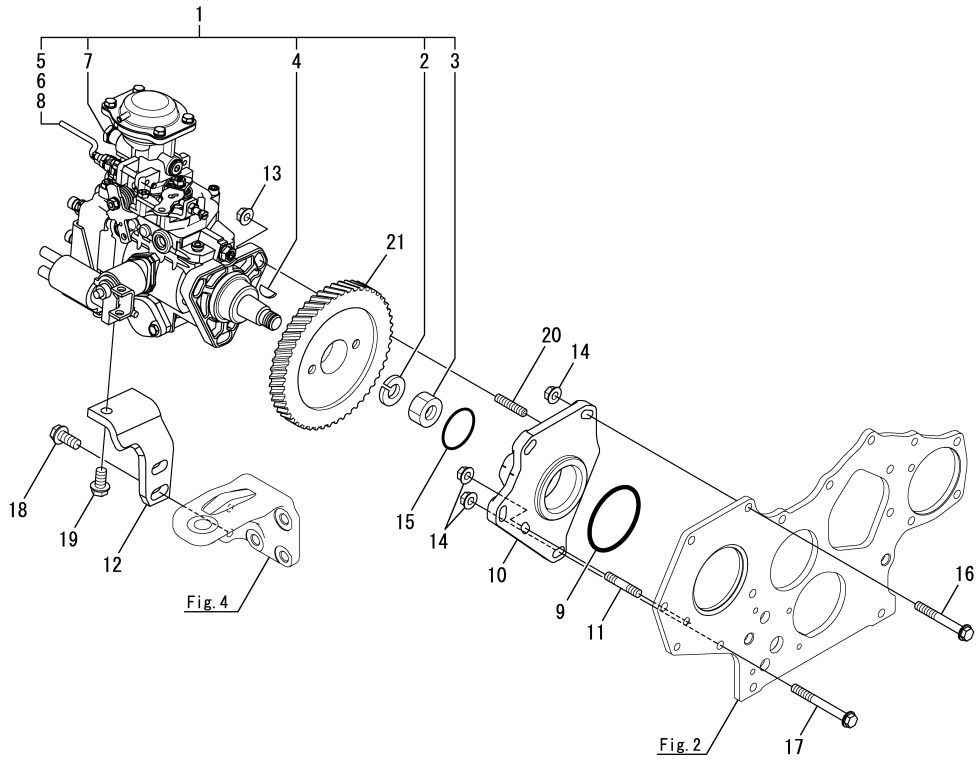


Fig.28. FUEL INJECTION PUMP

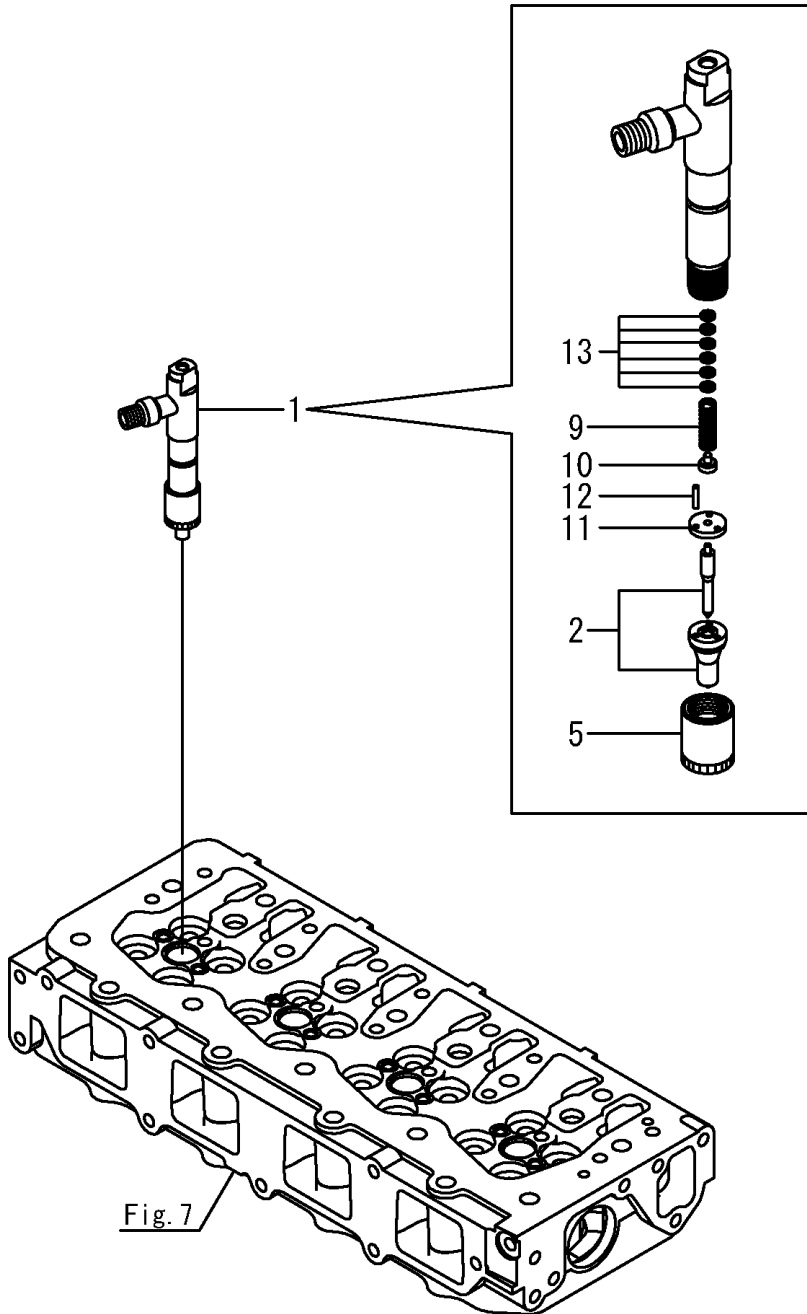
(A)=4JH4-TE  
(B)=4JH4-HTE  
(C)=4JH4-HTE1

(D)=  
(E)=  
(F)=



No.	Lev.	Parts No.	Description	Q'ty						I	R
				(A)	(B)	(C)	(D)	(E)	(F)		
1	1	129671-51950	PUMP ASSY, INJECTION	1							
1A	1	129672-51950	PUMP ASSY, INJECTION		1						
1B	1	129672-51970	PUMP, F.I.			1					
2	2	X0293214050	WASHER	1	1	1					
3	2	X0131214140	NUT	1	1	1					
4	2	X0294704030	KEY	1	1	1					
5	2	119171-67200	SOLENOID, MAGNETIC	1	1	1					
6	2	129693-67210	SPRING	1	1	1					
7	2	119171-59200	BOLT, PIPE JOINT	1	1	1					
8	2	X1466584820	WIRE	1	1	1					
9	1	121850-51960	O-RING	1	1	1					
10	1	129673-54030	BRACKET, PUMP	1	1	1					
11	1	121450-01560	STUD, M8X22	1	1	1					
12	1	129673-51251	RETAINER, PUMP	1	1	1					
13	1	26306-080002	NUT, M8	3	3	3					
14	1	26306-080002	NUT, M8	5	5	5					
15	1	24341-000500	O-RING, 1AS50.0	1	1	1					
16	1	26106-080652	BOLT, M8X 65 PLATED	3	3	3					
17	1	26106-080752	BOLT, M8X 75 PLATED	1	1	1					
18	1	26106-100182	BOLT, M10X 18 PLATED	1	1	1					
19	1	26106-100222	BOLT, M10X 22 PLATED	2	2	2					
20	1	26216-080282	STUD, M8X 28	3	3	3					
21	1	129671-25920	GEAR, PUMP	1	1	1					

Fig.29. FUEL INJECTION VALVE



(A)=4JH4-TE  
(B)=4JH4-HTE  
(C)=4JH4-HTE1

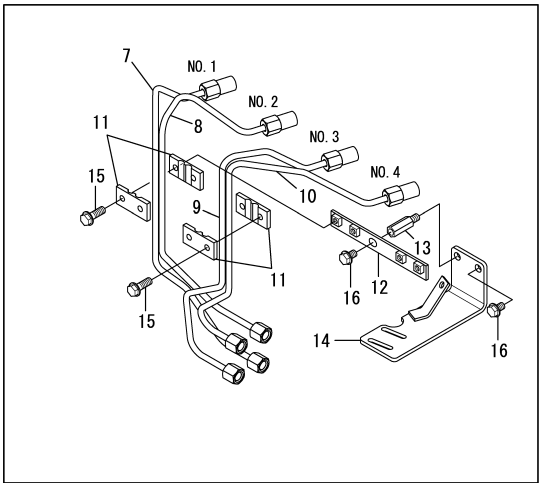
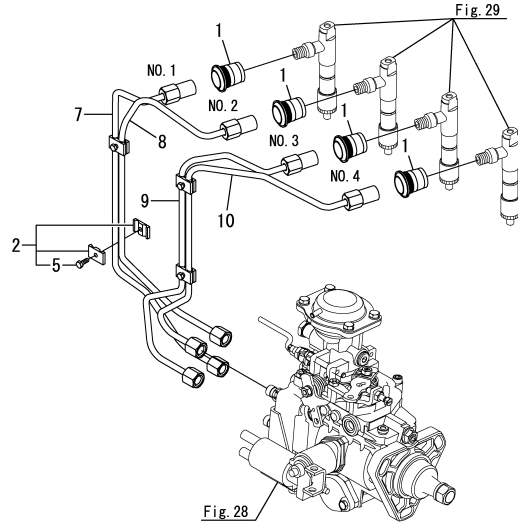
(D)=  
(E)=  
(F)=

No.	Lev.	Parts No.	Description	Q'ty						I	R
				(A)	(B)	(C)	(D)	(E)	(F)		
1	1	729671-53110	VALVE ASSY,INJECTION	4							
1A	1	729672-53110	VALVE ASSY,INJECTION		4	4					
2	2	129671-53010	VALVE ASSY,INJECTION	4							
2A	2	129672-53010	VALVE ASSY,INJECTION		4	4					
5	2	114250-53080	NUT, NOZZLE D16.95	4	4	4					
9	2	114250-53120	SPRING, NOZZLE	4	4	4					
10	2	114250-53130	SEAT, SPRING	4	4	4					
11	2	114250-53140	PLATE	4	4	4					
12	2	114250-53210	PIN	8	8	8					
13	2	114250-53400	SHIM SET	4	4						
13-1	2	119803-53400	SHIM SET	4	4	4					R
		(A=EXXXXX) (B=EXXXXX)									

Fig.30. FUEL INJECTION PIPE

(A)=4JH4-TE  
(B)=4JH4-HTE  
(C)=4JH4-HTE1

(D)=  
(E)=  
(F)=



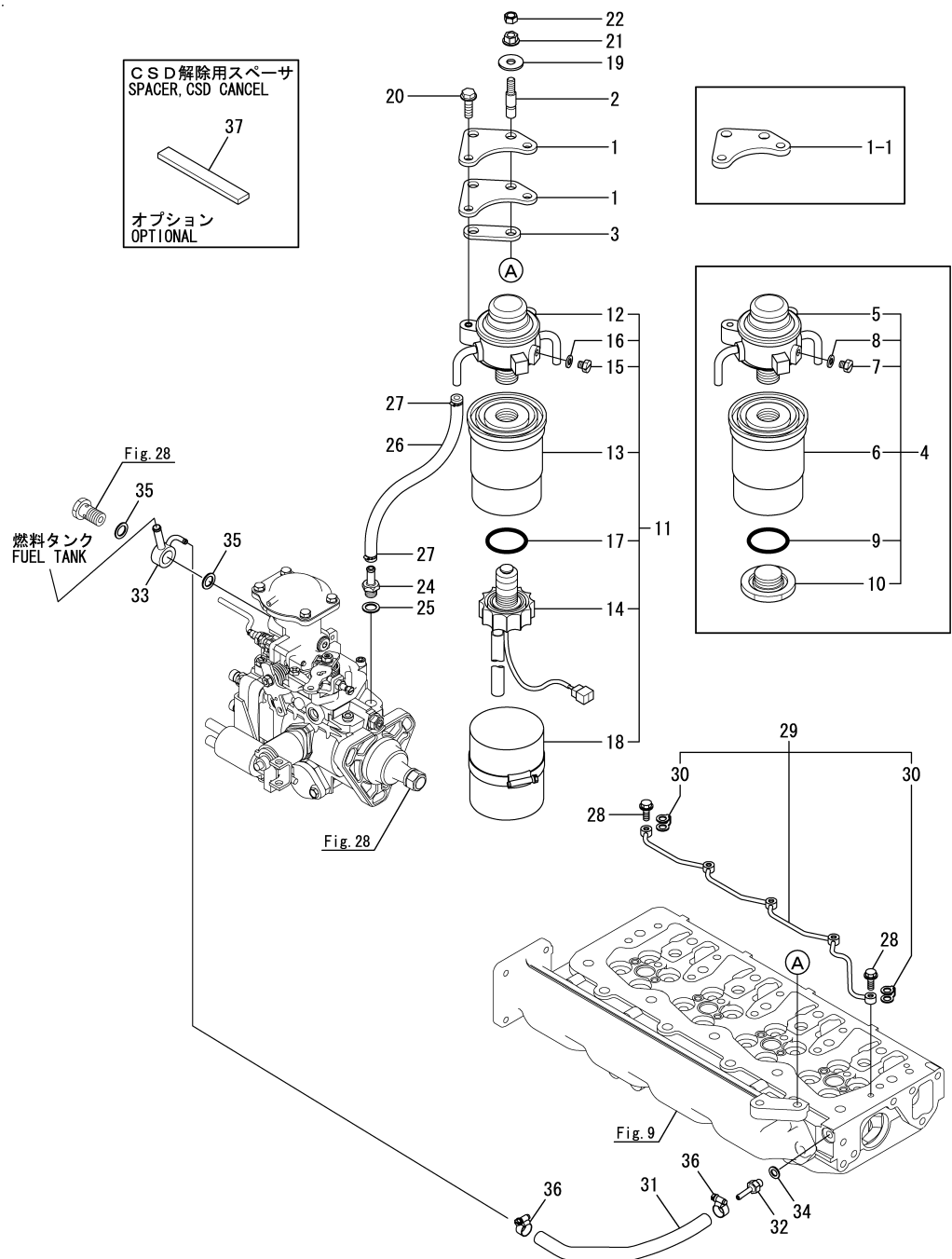
No.	Lev.	Parts No.	Description	Q'ty						I	R
				(A)	(B)	(C)	(D)	(E)	(F)		
1	1	123907-11601	SEAL	4	4	4					
2	1	119305-59120	RETAINER, PIPE	4	4						Z 1
		(A=EZZZZZ) (B=EZZZZZ)									
5	2	129150-59131	BOLT, M4X14	4	4						Z 1
		(A=EZZZZZ) (B=EZZZZZ)									
7	1	129671-59810	PIPE ASSY, INJECTION	1	1	1					
8	1	129671-59820	PIPE ASSY, INJECTION	1	1	1					
9	1	129671-59830	PIPE ASSY, INJECTION	1	1	1					
10	1	129671-59840	PIPE ASSY, INJECTION	1	1	1					
11	1	122780-59100	RETAINER	4	4	4					W
		(A=EZZZZZ) (B=EZZZZZ)									
12	1	129671-59140	CLAMP A, FUEL PIPE	1	1	1					W
		(A=EZZZZZ) (B=EZZZZZ)									
13	1	129671-59150	CLAMP B, FUEL PIPE	1	1	1					W
		(A=EZZZZZ) (B=EZZZZZ)									
14	1	129693-67102	BRACKET	1	1	1					W
		(A=EZZZZZ) (B=EZZZZZ)									
15	1	26106-060202	BOLT, M6X 20 PLATED	4	4	4					W
		(A=EZZZZZ) (B=EZZZZZ)									
16	1	26106-080122	BOLT, M8X 12 PLATED	2	2	2					W
		(A=EZZZZZ) (B=EZZZZZ)									

Remarks  
(1)Interchangeable by simultaneous replacement with Ref.No.11,12,13, 14,15,16.

Fig.31. FUEL PIPE & FUEL STRAINER

(A)=4JH4-TE  
(B)=4JH4-HTE  
(C)=4JH4-HTE1

(D)=  
(E)=  
(F)=



No.	Lev.	Parts No.	Description	Q'ty						I	R
				(A)	(B)	(C)	(D)	(E)	(F)		
1	1	129673-55650	BRACKET, FILTER	2	2						
1-1	1	129673-55660	BRACKET	1	1	1					R
(A=EXXXXX) (B=EXXXXX)											
2	1	129671-55660	BOLT	2	2	2					
3	1	129670-55700	RUBBER	1	1	1					
4	1	129574-55810	STRAINER ASSY W/O S	1							Z
(A=*2006.06)											
5	2	129574-55700	BODY ASSY	1							Z
(A=*2006.06)											
6	2	129574-55711	FILTER, FUEL	1							Z
(A=*2006.06)											
7	2	121857-55750	PLUG	1							Z
(A=*2006.06)											
8	2	121857-55760	WASHER	1							Z
(A=*2006.06)											
9	2	129574-55780	O-RING	1							Z
(A=*2006.06)											
10	2	129574-55840	DRAIN PLUG	1							Z
(A=*2006.06)											
11	1	129574-55820	STRAINER ASSY, FUEL	1	1	1					
12	2	129574-55700	BODY ASSY	1	1	1					
13	2	129574-55711	FILTER, FUEL	1	1	1					
14	2	129574-55730	SENSOR	1	1	1					
15	2	121857-55750	PLUG	1	1	1					
16	2	121857-55760	WASHER	1	1	1					
17	2	129574-55780	O-RING	1	1	1					
18	2	129574-55830	COVER, FILTER	1	1	1					
19	1	22137-080000	WASHER, 8	2	2	2					
20	1	26106-080252	BOLT, M8X 25 PLATED	2	2	2					
21	1	26306-080002	NUT, M8	2	2	2					
22	1	26716-080002	NUT, M8	2	2	2					
24	1	119171-59910	JOINT, PIPE	1	1	1					
25	1	22190-120002	WASHER, SEAL 12	1	1	1					
26	1	128990-59540	PIPE, FUEL	1	1	1					
27	1	23000-016000	CLAMP, 16	2	2						
27-1	1	23000-019000	CLAMP, 19	2	2	2					R
(A=EXXXXX) (B=EXXXXX)											
28	1	123907-59540	BOLT, PIPE JOINT M6	5	5	5					
29	1	129508-59550	PIPE ASSY, RETURN	1	1	1					
30	2	123907-59550	GASKET	5	5	5					
31	1	119187-59562	PIPE, FUEL	1	1	1					
32	1	123907-59560	JOINT	1	1	1					
33	1	129574-59990	JOINT, PIPE	1							
33-1	1	129574-59991	JOINT, PIPE	1	1	1					R
(A=*2006.07)											
34	1	22190-080002	WASHER, SEAL 6	1	1	1					
35	1	22190-120002	WASHER, SEAL 12	2	2	2					
36	1	23000-013000	CLAMP, 13	2	2	2					
37	1	129671-51990	SPACER, CSD CANCEL	1	1	1					

N:Old  $\xrightarrow{\text{Yes}}$  New, Q:Old  $\xrightarrow{\text{No}}$  New, R:Old  $\xrightarrow{\text{Yes}}$  New, S:Old  $\xrightarrow{\text{No}}$  New, W:Add, Z:Discontinued, F:Interchangeable by set, K:Q'ty Change  
Copyright (C) YANMAR CO., LTD. All Rights Reserved.

Fig.32. FUEL TANK(OPTIONAL)

(A)=4JH4-TE  
(B)=4JH4-HTE  
(C)=4JH4-HTE1

(D)=  
(E)=  
(F)=

No.	Lev.	Parts No.	Description	Qty						I	R
				(A)	(B)	(C)	(D)	(E)	(F)		
1	1	128990-59700	PIPE ASSY, FUEL	1	1	1					
2	2	128990-59131	PIPE, FUEL	1	1	1					
4	2	138603-59380	CAP NUT	1	1	1					
5	2	23010-014000	CLAMP, 14	2	2	2					
7	1	83213-003012	TANK ASSY, FUEL OIL	1	1	1					
8	2	105430-55041	CAP ASSY	1	1	1					

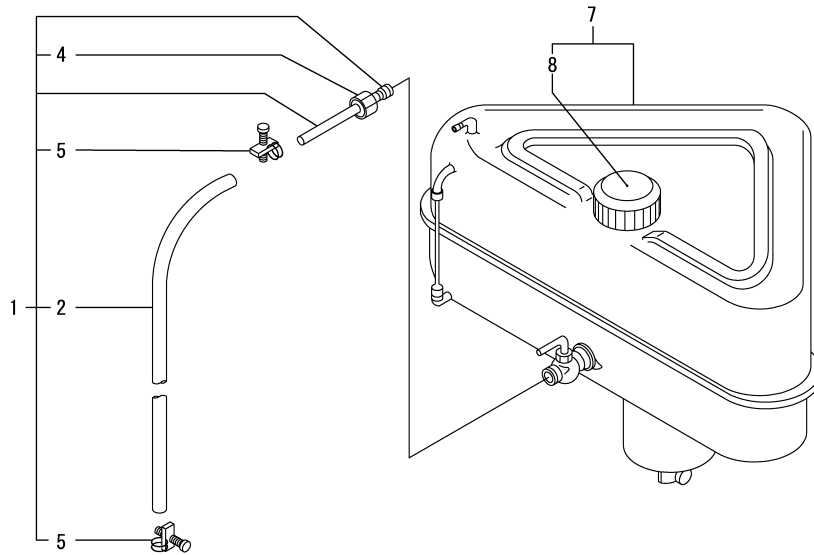
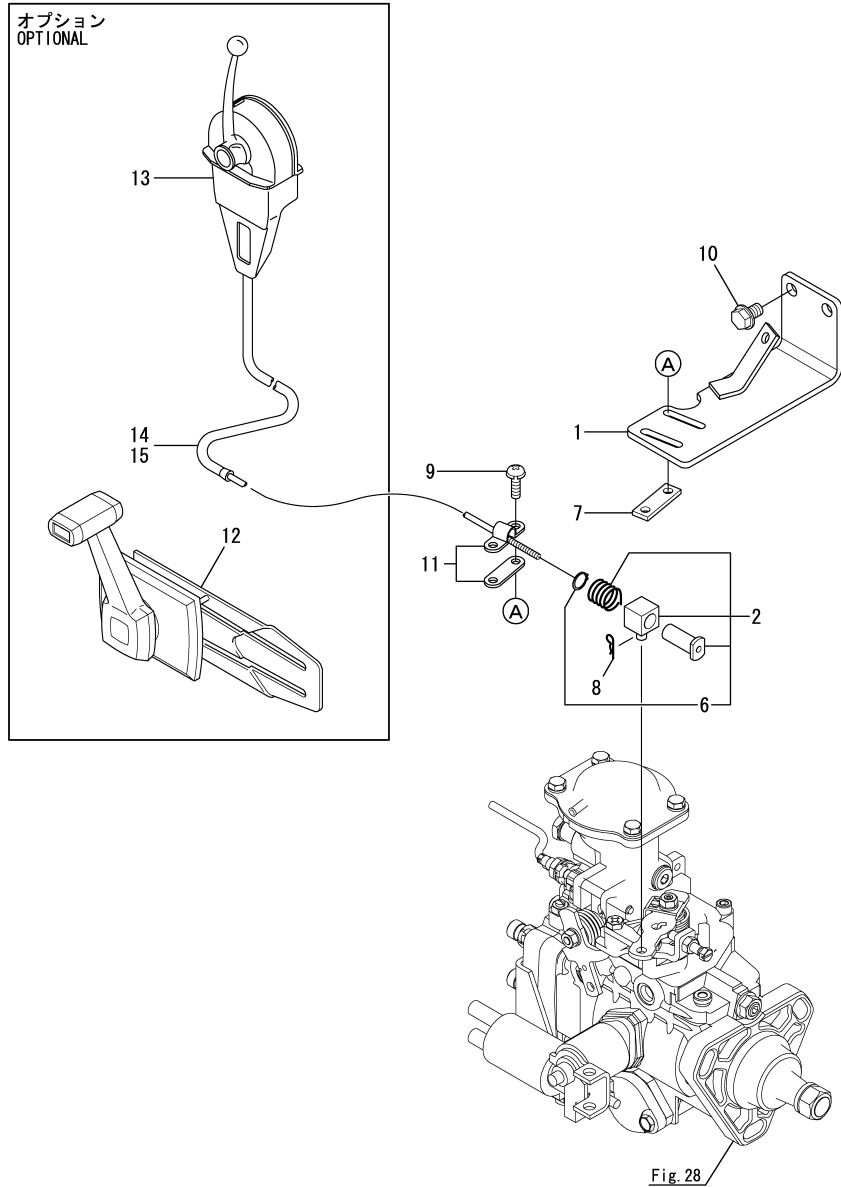


Fig.33. CABLE SUPPORT

(A)=4JH4-TE  
(B)=4JH4-HTE  
(C)=4JH4-HTE1

(D)=  
(E)=  
(F)=



No.	Lev.	Parts No.	Description	Q'ty						I	R
				(A)	(B)	(C)	(D)	(E)	(F)		
1	1	129693-67102	BRACKET	1	1	1					
2	1	105311-67200	RETAINER ASSY	1	1	1					
6	2	22242-000100	RING, 10	1	1	1					
7	1	121574-86320	RETAINER	1	1	1					
8	1	22414-250150	PIN, COTTER 2.5X15	1	1	1					
9	1	26022-050162	SCREW, M5X16	2	2	2					
10	1	26106-080122	BOLT, M8X 12 PLATED	2	2	2					
11	1	41710-000410	CLAMP	1	1	1					
12	1	128170-86501	REMOCON HEAD (MN	1	1	1					
13	1	41730-000681	MT-3 REMO-CON	1	1	1					
14	1	41710-000380	CABLE L=4000	2	2	2					
15	1	129470-86500	CABLE, L=7000	2	2	2					

Fig.34. CLUTCH

(A)=4JH4-TE  
(B)=4JH4-HTE  
(C)=4JH4-HTE1

(D)=  
(E)=  
(F)=

No.	Lev.	Parts No.	Description	Q'ty						I	R
				(A)	(B)	(C)	(D)	(E)	(F)		
1	1	129672-81000	CLUTCH ASSY, 1.47	1	1	1					
2	1	129672-81010	CLUTCH ASSY, 2.14	1	1	1					
3	1	129672-81020	CLUTCH ASSY, I=2.63	1	1	1					
4	1	129673-81010	CLUTCH ASSY, 2.04	1	1	1					
5	1	129673-81020	CLUTCH ASSY, I=2.45	1	1	1					
6	1	129673-81100	GEAR, ZF25A	1	1	1					
7	1	129673-81110	GEAR, ZF25A	1	1	1					
8	1	129673-81200	GEAR, ZF30M I=2.15	1	1	1					
9	1	129673-81210	GEAR, ZF30M I=2.7	1	1	1					
10	1	26106-100302	BOLT, M10X 30 PLATED	8	8	8					
11	1	26226-100222	STUD, M10X 22	2	2						
11-1	1	26226-100252	STUD, M10X 25	2	2	2					R
		(A=EXXXXX) (B=EXXXXX)									
12	1	26716-100002	NUT, M10	2	2	2					

Remarks

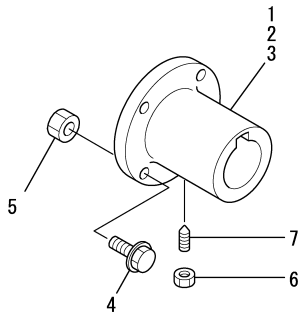
\*This figure are not illustrated.

N:Old  $\xrightarrow{\text{Yes}}$  New, Q:Old  $\xrightarrow{\text{No}}$  New, R:Old  $\xrightarrow{\text{Yes}}$  New, S:Old  $\xrightarrow{\text{No}}$  New, W:Add, Z:Discontinued, F:Interchangeable by set, K:Q'ty Change

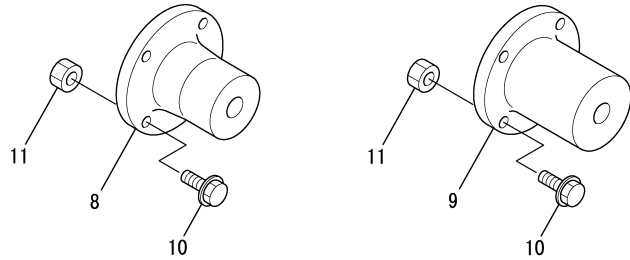


Fig.35. COUPLING(OPTIONAL)

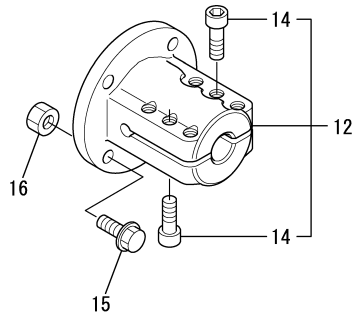
テーパカップリング  
TAPER COUPLING



ストレートカップリング  
STRAIGHT COUPLING



スリットカップリング  
SLIT COUPLING

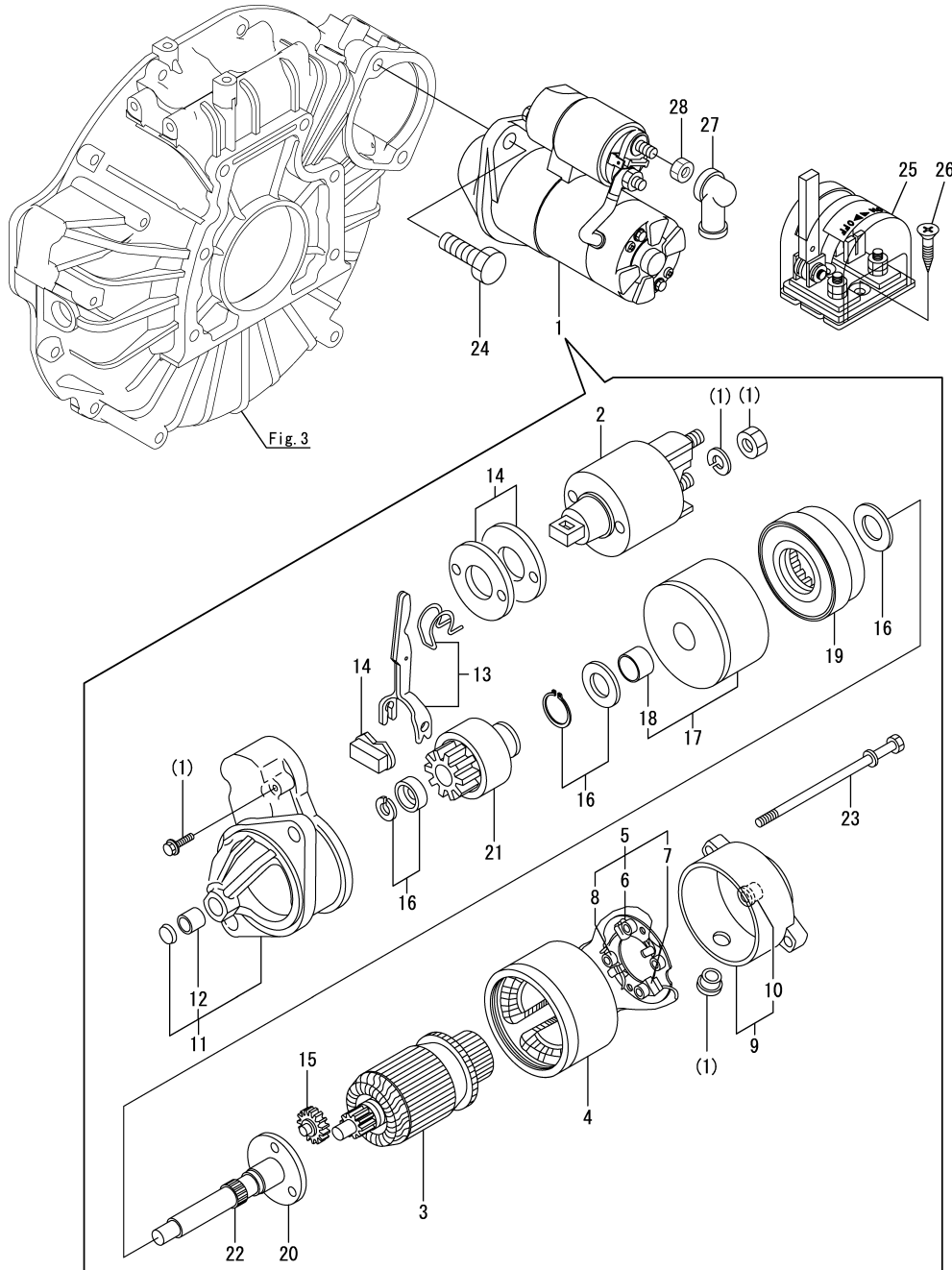


(A)=4JH4-TE  
(B)=4JH4-HTE  
(C)=4JH4-HTE1

(D)=  
(E)=  
(F)=

No.	Lev.	Parts No.	Description	Q'ty						I	R
				(A)	(B)	(C)	(D)	(E)	(F)		
1	1	129473-85900	COUPLING, TAPER 38	1	1						
2	1	129473-85910	COUPLING, TAPER 40	1	1						
3	1	48110-034071	COUPLING, TAPER 34	1	1						
4	1	26106-100322	BOLT, M10X 32 PLATED	4	4						
5	1	26706-100002	NUT, M10	4	4						
6	1	26756-080002	NUT, LOCK M8	1	1						
7	1	48110-032411	SCREW	1	1						
8	1	129470-85900	COUPLING	1	1						
9	1	129673-85100	CUPLING STRAIGHT ZF	1	1						
10	1	26106-100322	BOLT, M10X 32 PLATED	4	4						
11	1	26706-100002	NUT, M10	4	4						
12	1	129470-83750	COUPLING ASSY	1	1						
14	2	26450-120402	BOLT, M12X 40	6	6						
15	1	26106-100322	BOLT, M10X 32 PLATED	4	4						
16	1	26706-100002	NUT, M10	4	4						

Fig.36. STARTING MOTOR



(A)=4JH4-TE  
(B)=4JH4-HTE  
(C)=4JH4-HTE1

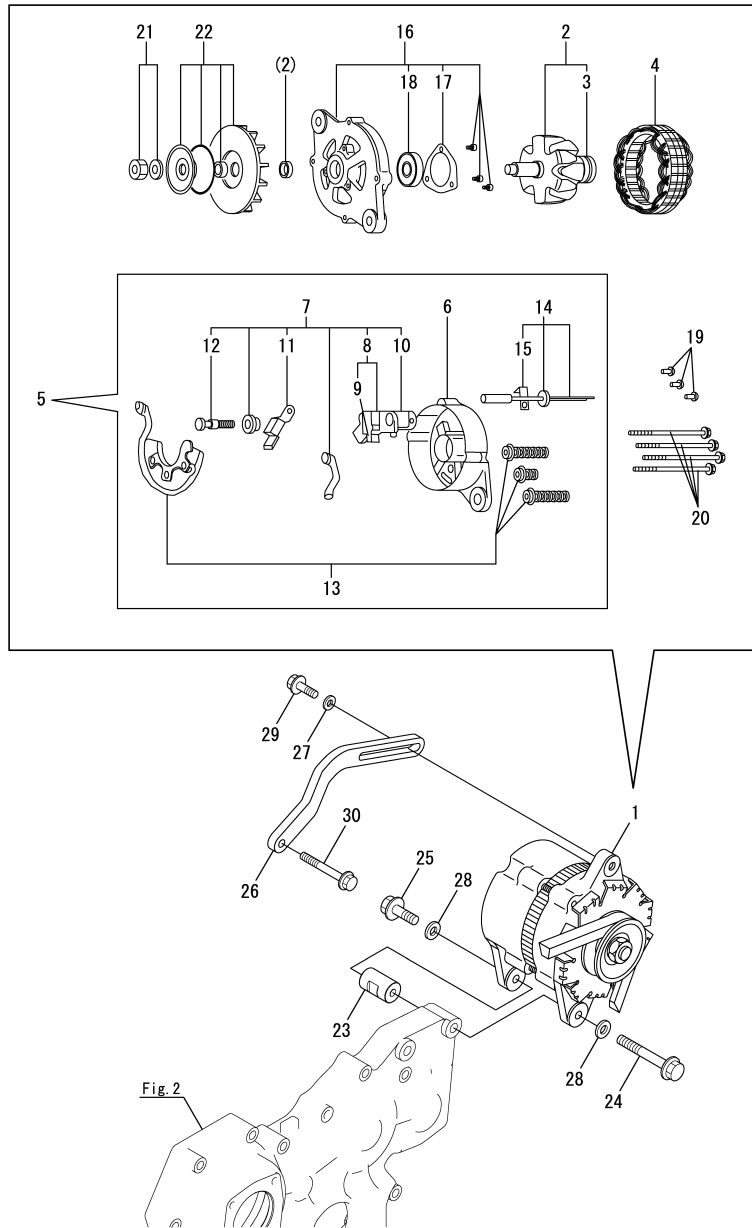
(D)=  
(E)=  
(F)=

No.	Lev.	Parts No.	Description	Qty						I	R
				(A)	(B)	(C)	(D)	(E)	(F)		
1	1	129608-77010	STARTER, S114-817A	1	1	1					
2	2	129698-77020	SWITCH ASSY	1	1	1					
3	2	129698-77101	ARMATURE ASSY	1	1	1					
4	2	129608-77110	YOKE ASSY	1	1	1					
5	2	129698-77120	HOLDER ASSY, BRUSH	1	1	1					
6	3	129698-77140	BRUSH SET	1	1	1					
7	3	129698-77130	BRUSH	2	2	2					
8	3	129698-77150	SPRING, BRUSH	4	4	4					
9	2	129698-77161	COVER ASSY	1	1	1					
10	3	129698-77170	BEARING	1	1	1					
11	2	129698-77260	CASE ASSY	1	1	1					
12	3	X2114535200	METAL, STARTER	1	1	1					
13	2	129698-77270	LEVER SET, SHIFT	1	1	1					
14	2	129698-77280	COVER KIT	1	1	1					
15	2	129698-77240	GEAR	3	3	3					
16	2	129698-77250	WASHER SET	1	1	1					
17	2	129698-77180	BRACKET	1	1	1					
18	3	129698-77190	BRACKET	1	1	1					
19	2	129698-77200	GEAR, INTERNAL	1	1	1					
20	2	129698-77210	BRACKET	1	1	1					
21	2	129698-77220	PINION ASSY	1	1	1					
22	2	129698-77230	SHAFT	1	1	1					
23	2	124195-77770	BOLT, THROUGH	2	2	2					
24	1	26116-120302	BOLT, M12X 30 PLATED	2	2	2					
25	1	123310-77640	SWITCH, BATTERY	1	1	1					
26	1	22724-800380	SCREW, 8.0X38	2	2	2					
27	1	124550-77030	COVER, TERMINAL	1	1						
27-1	1	129670-77030	COVER, TERMINAL	1	1	1					R
		(A=EXXXXX) (B=EXXXXX)									
28	1	26756-080002	NUT, LOCK M8	1	1	1					

Fig.37. GENERATOR(12V-80A)(HITACHI: TO JAN., 2013)

(A)=4JH4-TE  
(B)=4JH4-HTE  
(C)=4JH4-HTE1

(D)=  
(E)=  
(F)=



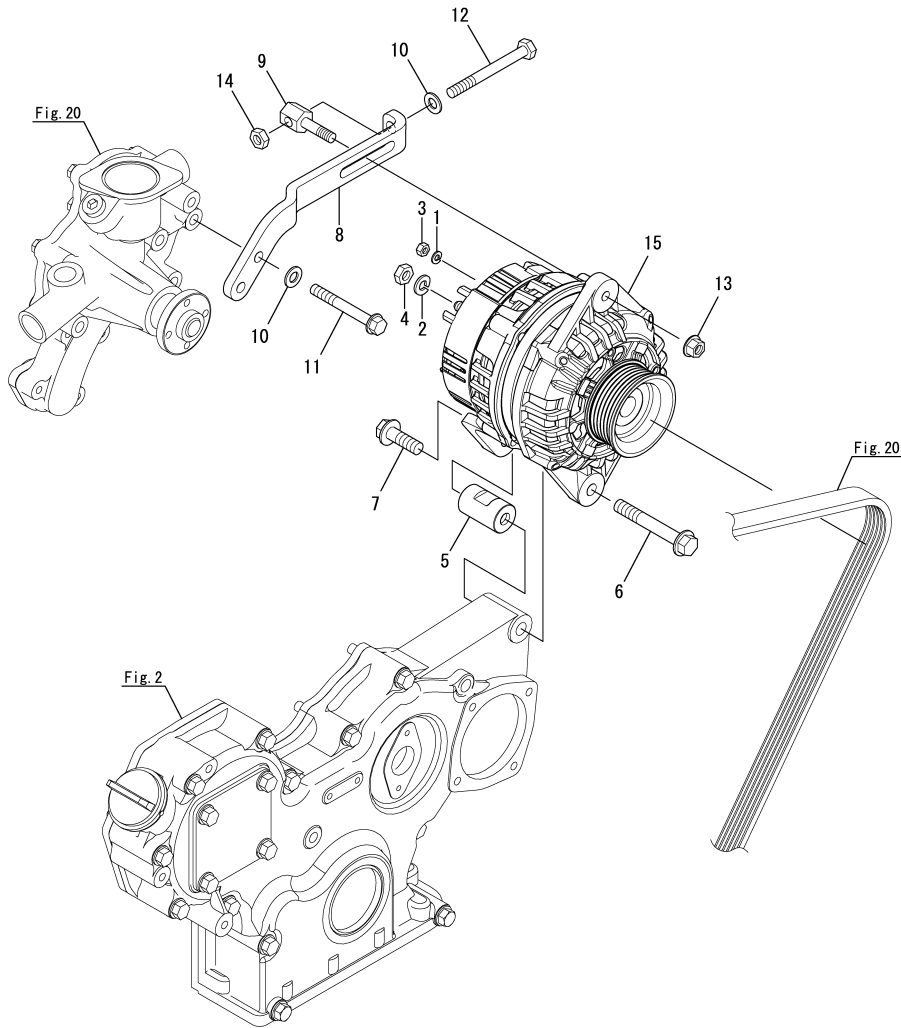
No.	Lev.	Parts No.	Description	Q'ty						I	R
				(A)	(B)	(C)	(D)	(E)	(F)		
1	1	119573-77201 (A=E15602) (B=E24940) (C=E40232)	ALTERNATER(12V-80A)	1	1	1					Z
2	2	XL180G61000	ROTOR ASSY	1	1	1					
3	3	119129-77320	BEARING, BALL	1	1	1					
4	2	XL180120000	STATOR ASSY	1	1	1					
5	2	XL180G63006	COVER ASSY, REAR	1	1	1					
6	3	XL180G13012	COVER, REAR	1	1	1					
7	3	XL180G43150	BRUSH ASSY,REGULATOR	1	1	1					
8	4	XL155G1330	BRUSH ASSY	1	1	1					
9	5	XL225G1325	BRUSH SET	2	2	2					
10	4	124080-77390	REGULATOR ASSY	1	1	1					
11	4	XL225431800	CONDENSER ASSY	1	1	1					
12	4	124080-77520	BOLT M5	2	2	2					
13	3	XL1808320	DIODE ASY	1	1	1					
14	3	119129-77250	WIRE, LEAD	1	1	1					
15	4	119129-77260	CLAMP	1	1	1					
16	2	XL235340110	COVER ASSY, FRONT	1	1	1					
17	3	XL150M14041	RETAINER	1	1	1					
18	3	X6303BM0000	BEARING, BALL	1	1	1					
19	2	119129-77930	SCREW KIT	1	1	1					
20	2	119129-77890	BOLT, THROUGH	4	4	4					
21	2	119129-77900	NUT ASSY, PULLEY	1	1	1					
22	2	XL180G85001	PULLEY ASSY	1	1	1					
23	1	129670-77350	PIECE	1	1	1					
24	1	129695-77370	BOLT, M10X75	1							
24-1	1	129695-77371 (A=*2006.04)	BOLT, M10X70	1	1						N
24-2	1	129670-77370 (A=EXXXXXX) (B=EXXXXXX)	BOLT 10X 70	1	1	1					R
25	1	129695-77380	BOLT, M10X30	1	1						
25-1	1	129670-77380 (A=EXXXXXX) (B=EXXXXXX)	BOLT 10X 30	1	1	1					R
26	1	129670-77430	ADJUSTER	1	1	1					
27	1	22137-080000	WASHER, 8	1	1	1					
28	1	22137-100000	WASHER, 10	2	2	2					
29	1	26106-080252	BOLT, M8X 25 PLATED	1	1	1					
30	1	26106-080652	BOLT, M8X 65 PLATED	1	1	1					

Remarks

\*This item is applicable to [(A)=E15601,(B)=E24939,(C)=E40231] or previous machines. Refer to Fig.51.

N:Old  $\begin{matrix} \text{Yes} \\ \text{No} \end{matrix}$  New, Q:Old  $\begin{matrix} \text{No} \\ \text{Yes} \end{matrix}$  New, R:Old  $\begin{matrix} \text{Yes} \\ \text{Yes} \end{matrix}$  New, S:Old  $\begin{matrix} \text{No} \\ \text{No} \end{matrix}$  New, W:Add, Z:Discontinued, F:Interchangeable by set, K:Q'ty Change

Fig.53. (37A)GENERATOR(12V-120A)(VALEO: FROM FEB., 2013)



(A)=4JH4-TE  
(B)=4JH4-HTE  
(C)=4JH4-HTE1

(D)=  
(E)=  
(F)=

No.	Lev.	Parts No.	Description	Q'ty						I	R
				(A)	(B)	(C)	(D)	(E)	(F)		
1	1	22217-050000	WASHER, SPRING 5	2							
2	1	22217-080000	WASHER, SPRING 8	1							
3	1	26716-050002	NUT, M5	2							
4	1	26756-080002	NUT, LOCK M8	1							
5	1	129670-77350	PIECE	1							
6	1	129670-77370	BOLT 10X 70	1							
7	1	129670-77380	BOLT 10X 30	1							
8	1	129271-77631	ADJUSTER, BELT	1							
9	1	129271-77641	BOLT,ADJUSTER	1							
10	1	22137-080000	WASHER, 8	2							
11	1	26106-080652	BOLT, M8X 65 PLATED	1							
12	1	26116-080804	BOLT, M8X 80 PLATED	1							
13	1	26366-080002	NUT, M8	1							
14	1	26716-080002	NUT, M8	1							
15	1	128990-77250	ALTERNATOR, 12V-120A	1							W
(A=E15602) (B=E24940) (C=E40232)											

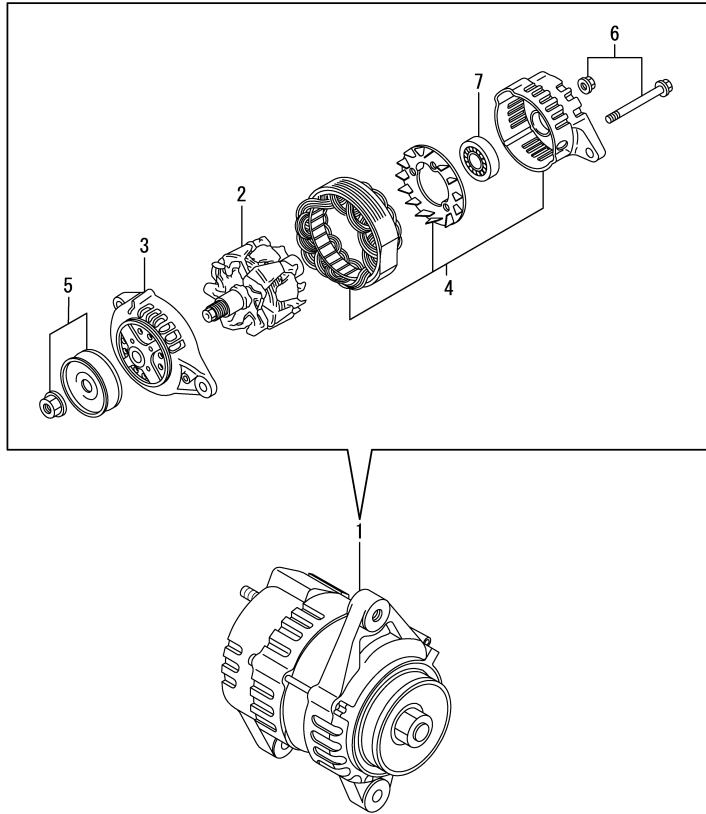
Remarks

\*This item is applicable to [(A)=E15602,(B)=E24940,(C)=E40232] or following machines. Refer to Fig.37.

Fig.38. GENERATOR(12V-60A/OPTIONAL)

(A)=4JH4-TE  
 (B)=4JH4-HTE  
 (C)=4JH4-HTE1

(D)=  
 (E)=  
 (F)=

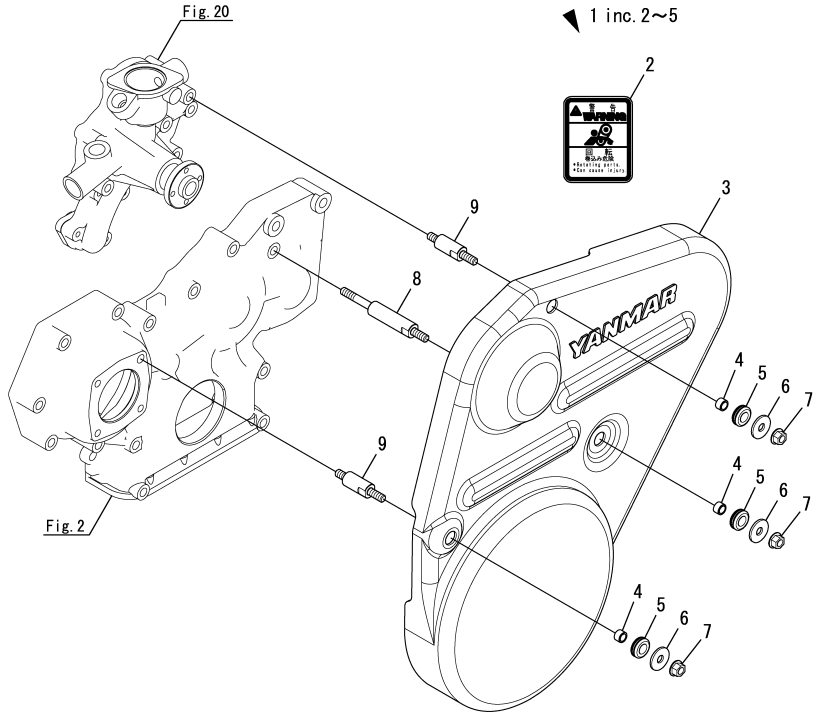


No.	Lev.	Parts No.	Description	Q'ty						I	R
				(A)	(B)	(C)	(D)	(E)	(F)		
1	1	128271-77200	GENERATOR, 12V-60A	1	1						
2	2	123900-77700	ROTOR ASSY	1	1						
3	2	123900-77730	BRACKET ASSY	1	1						
4	2	128271-77730	BRACKET(STATOR+REGUL	1	1						
5	2	128271-77740	PULLEY	1	1						
6	2	128271-77750	SCREW KIT	1	1						
7	2	129900-77810	BEARING, BALL	1	1						

Fig.39. V-BELT COVER

(A)=4JH4-TE  
(B)=4JH4-HTE  
(C)=4JH4-HTE1

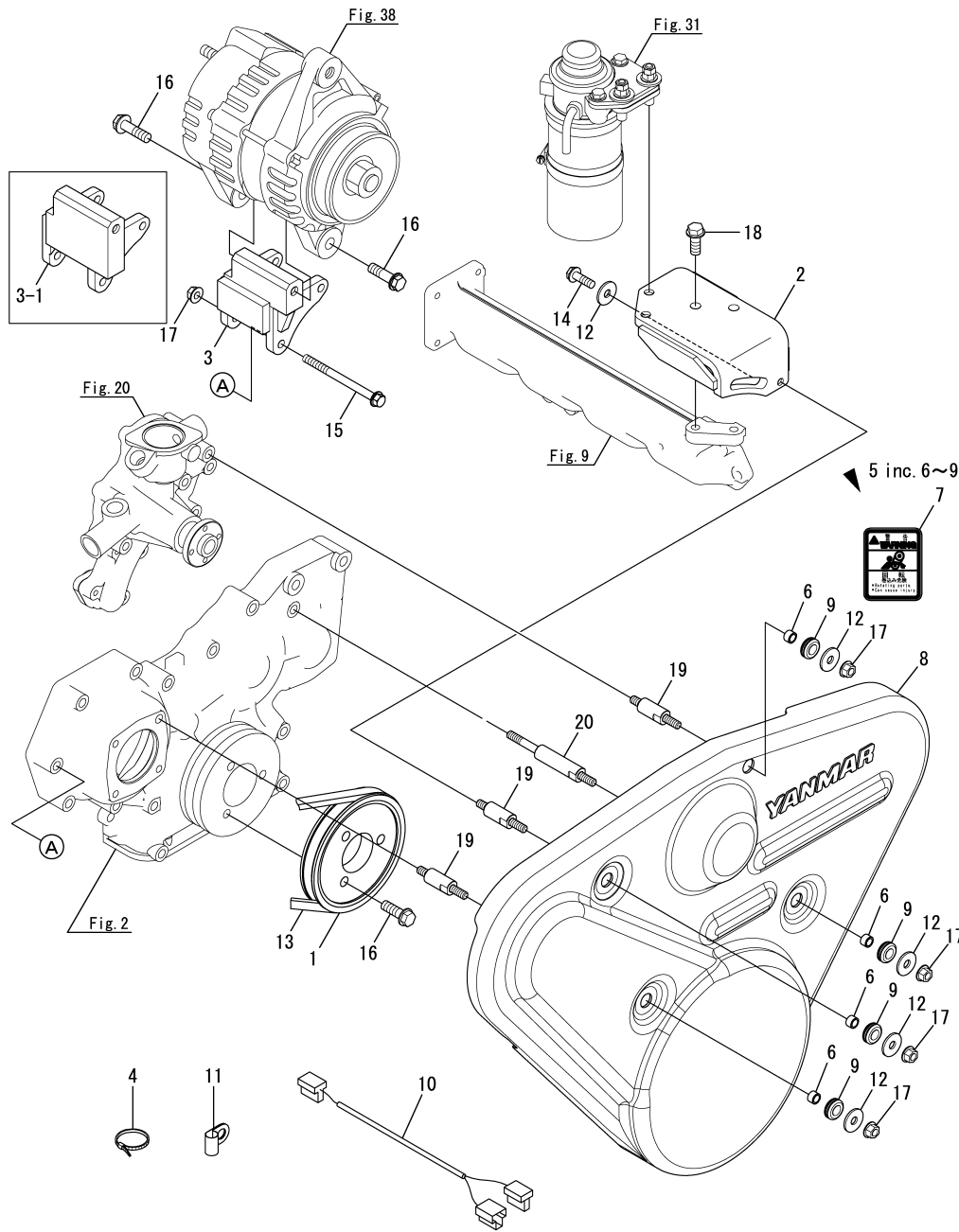
(D)=  
(E)=  
(F)=



No.	Lev.	Parts No.	Description	Qty						I	R
				(A)	(B)	(C)	(D)	(E)	(F)		
1	1	129671-77390 (A=EXXXXX) (B=EXXXXX)	COVER,BELT CMP	1	1	1					W
2	2	128377-07350 (A=EXXXXX) (B=EXXXXX)	LABEL, CAUTION	1	1	1					W
3	2	129671-77400 (A=EXXXXX) (B=EXXXXX)	COVER, BELT	1	1	1					
4	2	128990-77430	COLLAR	3	3	3					
5	2	128990-77610	GROMMET	3	3	3					
6	1	22157-080000	WASHER, 8	3	3	3					
7	1	26306-080002	NUT, M8	3	3	3					
8	1	129671-77410	BOLT	1	1	1					
8-1	1	129671-77411 (A=E15602) (B=E24940) (C=E40232)	BOLT,BELT COVER	1	1	1					S 1
9	1	129271-77420	BOLT	2	2	2					
9-1	1	129271-77421 (A=E15602) (B=E24940) (C=E40232)	BOLT,BELT COVER	2	2	2					S 1

Remarks  
(1)Valeo generator spec.

Fig.40. V-BELT COVER & GENERATOR ATTACHMENT PART(OPTIONAL)



(A)=4JH4-TE  
(B)=4JH4-HTE  
(C)=4JH4-HTE1

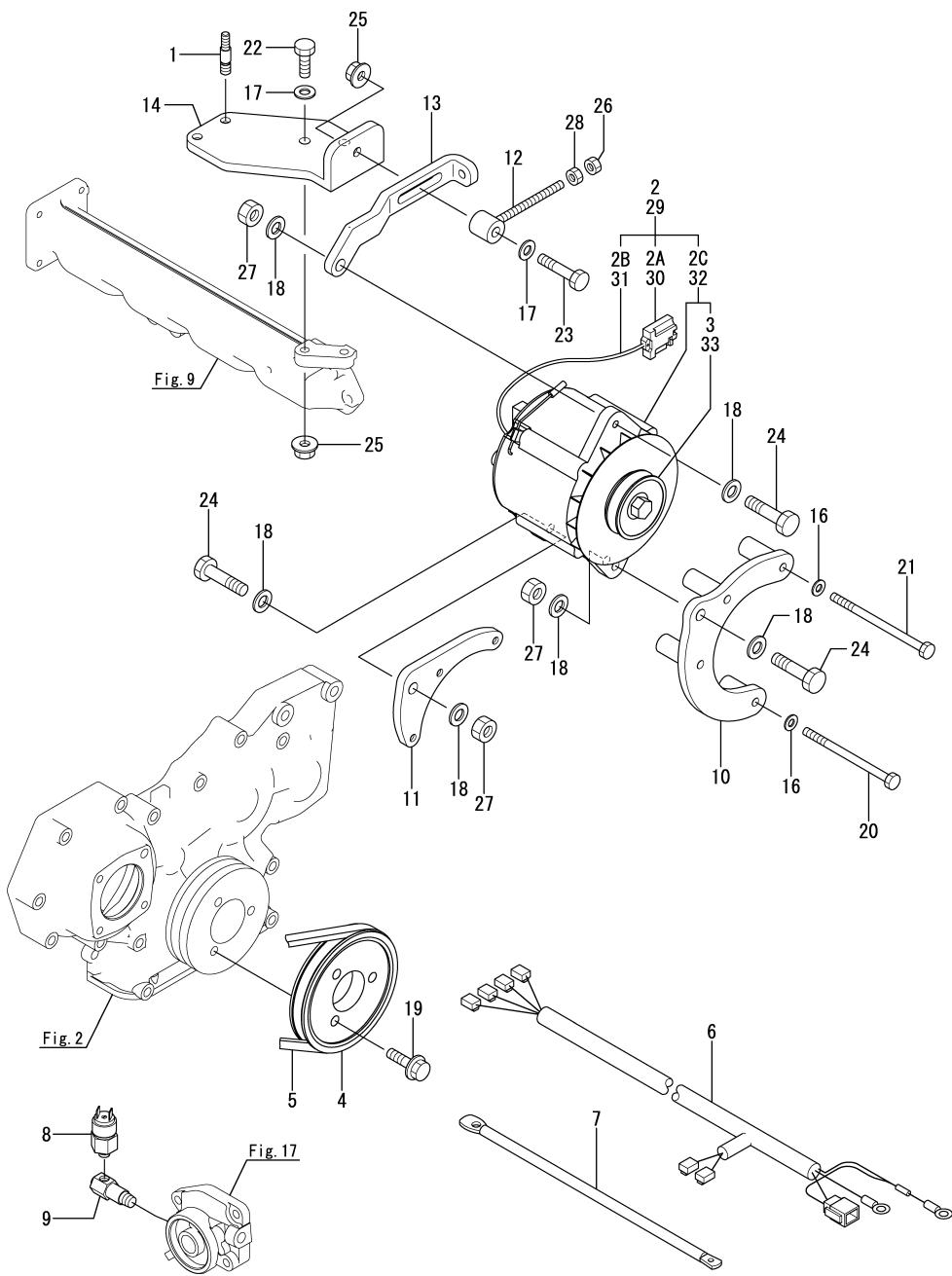
(D)=  
(E)=  
(F)=

No.	Lev.	Parts No.	Description	Q'ty						I	R
				(A)	(B)	(C)	(D)	(E)	(F)		
1	1	129271-21350	V-PULLEY	1	1	1					
2	1	129671-55720	BRACKET, FILTER	1	1	1					
3	1	129671-77320	BRACKET, ALTERNATOR	1	1						
3-1	1	129671-77321	BRACKET,ALTERNATOR	1	1	1					N
		(A=EXXXXX) (B=EXXXXX)									
4	1	121750-59890	BAND, 140	1	1	1					
5	1	129671-77490	COVER,BELT CMP	1	1	1					W
		(A=EXXXXX) (B=EXXXXX)									
6	2	128990-77430	COLLAR	4	4	4					
7	2	128377-07350	LABEL, CAUTION	1	1	1					W
		(A=EXXXXX) (B=EXXXXX)									
8	2	129671-77520	COVER, BELT	1	1	1					
9	2	128990-77610	GROMMET	4	4	4					
10	1	129271-77931	HARNES,ALTERNATOR	1	1	1					
11	1	23297-270081	CLAMP, A27X12	1	1	1					
12	1	22157-080000	WASHER, 8	5	5	5					
13	1	25132-003800	V-BELT, A38	1	1	1					
14	1	26106-080252	BOLT, M8X 25 PLATED	1	1	1					
15	1	26106-080852	BOLT, M8X 85 PLATED	2	2	2					
16	1	26106-100302	BOLT, M10X 30 PLATED	5	5	5					
17	1	26306-080002	NUT, M8	6	6	6					
18	1	26106-100252	BOLT, M10X 25 PLATED	2	2	2					
19	1	129271-77420	BOLT	3	3	3					
20	1	129271-77430	BOLT	1	1	1					

Fig.41. GENERATOR(ADDITION) & GENERATOR ATTACHMENT PART(OPTIONAL)

(A)=4JH4-TE  
(B)=4JH4-HTE  
(C)=4JH4-HTE1

(D)=  
(E)=  
(F)=



No.	Lev.	Parts No.	Description	Qty						I	R
				(A)	(B)	(C)	(D)	(E)	(F)		
1	1	129671-55660	BOLT	2	2	2					
2	1	129271-77220	ALTERNATOR, 12V-130A	1	1	1					
2A	2	129271-77600	REGULATOR ASSY, 12V	1	1	1					W
2B	2	129271-77620	HARNESS, BATT SENSING	1	1	1					W
2C	2	129271-77580	ALTERNATOR, 12V-130A	1	1	1					W
3	3	129271-77240	PULLEY, ALTERNATOR	1	1	1					
4	1	129271-77250	PULLEY, CRANK	1	1	1					
5	1	129671-77260	BELT, 6PK1088	1	1	1					
6	1	129271-77270	WIRE HARNESS, ALTERNAT	1	1	1					
7	1	129271-77280	GROUND CABLE	1	1	1					
8	1	129271-77290	SWITCH, OIL PRESSURE	1	1	1					
9	1	129271-77320	DAMPER CMP(R 1/4)	1	1	1					
10	1	129671-77340	BRACKET, ALT FRONT	1	1	1					
10-1	1	129671-77341	BRACKET, ALTERNATOR F	1	1	1					S
11	1	129671-77350	BRACKET, ALT REAR	1	1	1					
11-1	1	129671-77351	BRACKET, ALTERNATOR R	1	1	1					S
12	1	129671-77360	ADJUSTER, ALTERNATOR	1	1	1					
13	1	129671-77370	BRACKET, ADJUSTER	1	1	1					
14	1	129671-77380	BRACKET, FO FILTER	1	1	1					
16	1	22137-080000	WASHER, 8	7	7	7					
17	1	22137-100000	WASHER, 10	3	3	3					
18	1	22137-120000	WASHER, 12	6	6	6					
19	1	26106-100352	BOLT, M10X 35 PLATED	3	3	3					
19-1	1	26106-100402	BOLT, M10X 40 PLATED	3	3	3					S
20	1	26116-081202	BOLT, M8X120 PLATED	1	1	1					
21	1	26116-081302	BOLT, M8X130 PLATED	3	3	3					
22	1	26116-100304	BOLT, M10X 30 PLATED	2	2	2					
23	1	26116-100502	BOLT, M10X 50 PLATED	1	1	1					
24	1	26116-120502	BOLT, M12X 50 PLATED	3	3	3					
25	1	26366-100002	NUT, M10	3	3	3					
26	1	26716-080002	NUT, M8	5	5	5					
27	1	26716-120002	NUT, M12	3	3	3					
28	1	26756-080002	NUT, LOCK M8	1	1	1					
29	1	129271-77230	ALTERNATOR, 24V-75A	1	1	1					
30	2	129271-77610	REGULATOR ASSY, 24V	1	1	1					W
31	2	129271-77620	HARNESS, BATT SENSING	1	1	1					W
32	2	129271-77590	ALTERNATOR, 24V-75A	1	1	1					W
33	3	129271-77240	PULLEY, ALTERNATOR	1	1	1					

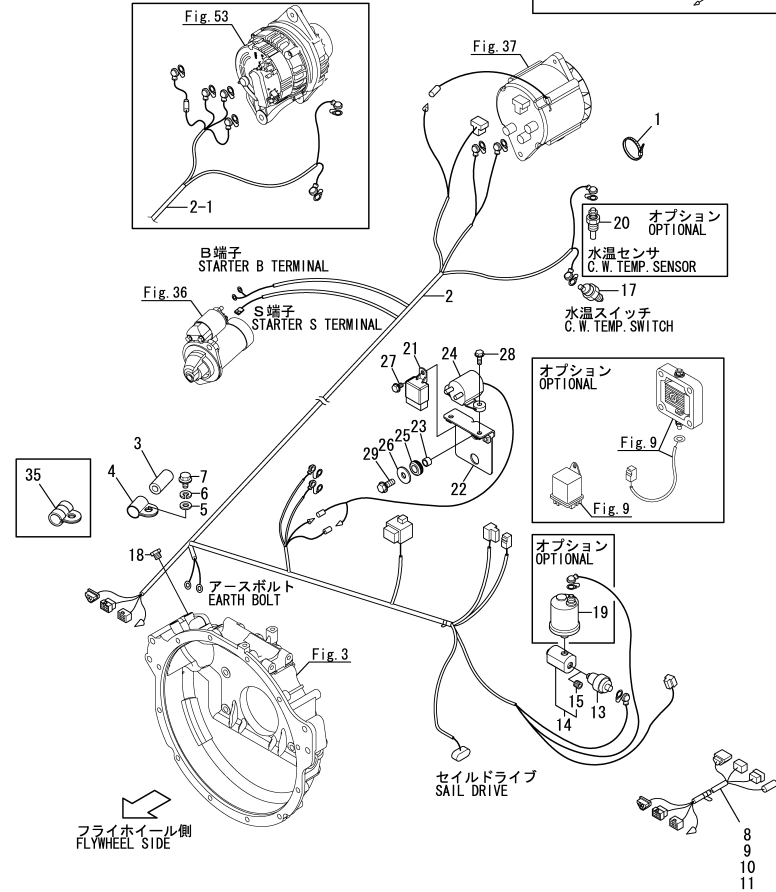
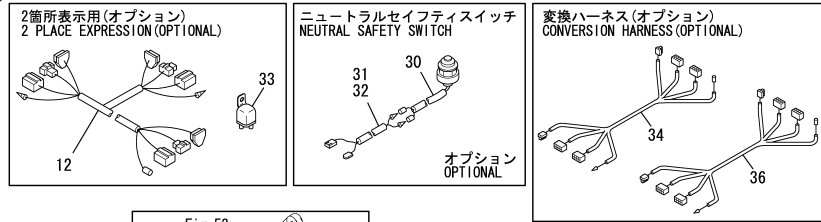
N:Old, Yes/No; New, Q:Old, Yes/No; New, R:Old, Yes/No; New, S:Old, Yes/No; New, W:Add, Z:Discontinued, F:Interchangeable by set, K:Qty Change  
Copyright (C) YANMAR CO., LTD. All Rights Reserved.



# Fig.42. WIRE HARNESS & SENSOR

(A)=4JH4-TE  
(B)=4JH4-HTE  
(C)=4JH4-HTE1

(D)=  
(E)=  
(F)=



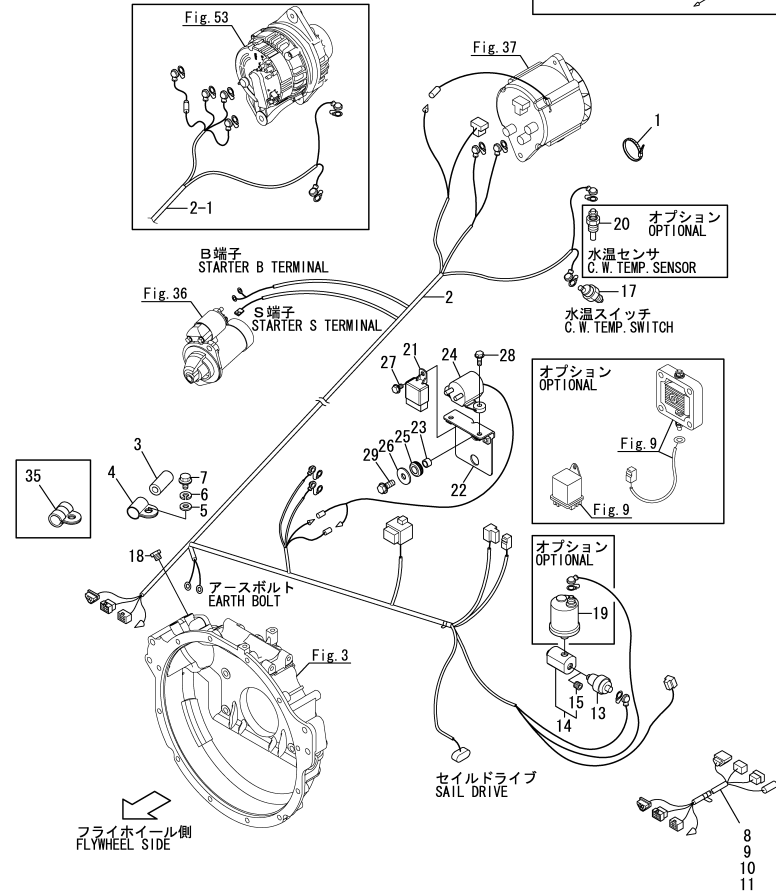
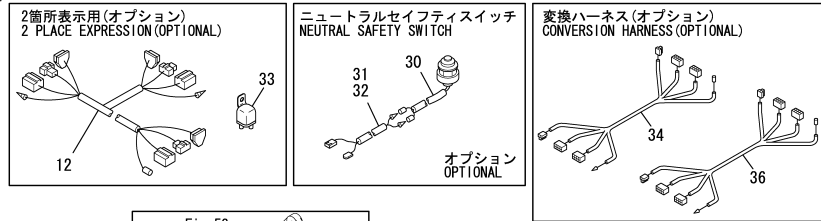
- Remarks  
 (1)C-PANEL  
 (2)KM4A2  
 (3)KMH4A  
 (4)YAZAKI.  
 (5)DEUTSCH (Valeo generator spec).  
 (6)For MEDALLION panel (Conversion from VDO panel).  
 (7)For VDO panel (Conversion to the Valeo generator).  
 (8)Valeo generator spec.

No.	Lev.	Parts No.	Description	Q'ty						I	R
				(A)	(B)	(C)	(D)	(E)	(F)		
1	1	194250-51660	BAND, NYLON	1	1						
1-1	1	29622-250001	BAND, RF250	1	1	1					R
		(A=EXXXXX) (B=EXXXXX)									
1-2	1	128990-59890	BAND,200	1	1	1					S
		(A=E15602) (B=E24940) (C=E40232)									
2	1	129671-77910	HARNESS, WIRE	1	1	1					4
2-1	1	129671-77911	HARNESS, WIRE ENGINE	1	1	1					S 5
		(A=E15602) (B=E24940) (C=E40232)									
3	1	124770-77940	PROTECTOR	1	1						Z
		(A=EXXXXX) (B=EXXXXX)									
4	1	124070-77950	CLAMP	1	1						Z
		(A=EXXXXX) (B=EXXXXX)									
5	1	22137-080000	WASHER, 8	1	1	1					
6	1	22217-080000	WASHER, SPRING 8	1	1	1					
7	1	26106-080162	BOLT, M8X 16 PLATED	1	1	1					
8	1	128391-77720	HARNESS, WIRE	1	1	1					
8-1	1	164100-22830	HARNESS,EXT 6M	1	1	1					S 8
		(A=E15602) (B=E24940) (C=E40232)									
9	1	129574-77710	HARNESS, WIRE 4M	1	1	1					
9-1	1	164100-22720	HARNESS, WIRE 4M	1	1	1					S 8
		(A=E15602) (B=E24940) (C=E40232)									
10	1	129574-77720	HARNESS, WIRE 6M	1	1	1					
10-1	1	164100-22730	HARNESS, WIRE 6M	1	1	1					S 8
		(A=E15602) (B=E24940) (C=E40232)									
11	1	129574-77740	HARNESS, WIRE 10M	1	1	1					
11-1	1	164100-22740	HARNESS, WIRE 10M	1	1	1					S 8
		(A=E15602) (B=E24940) (C=E40232)									
12	1	129574-77980	HARNESS, WIRE	1	1	1					
13	1	124060-39452	SWITCH, 0.2KG	1	1						
13-1	1	121252-39450	SWITCH, 0.5KG	1	1	1					N
		(A=EXXXXX) (B=EXXXXX)									
14	1	129670-39600	DAMPER ASSY, R1/8	1	1	1					
15	2	23875-010000	PLUG, R01	1	1	1					
17	1	120130-91370	SWITCH, 100	1	1	1					
18	1	23887-180002	PLUG, 18	1	1	1					
19	1	119773-91650	SENSOR	1	1	1					1
20	1	119773-91700	SENDER	1	1	1					1
21	1	119247-77100	RELAY, SAFETY	1	1	1					
22	1	128990-77400	BRACKET, RELAY	1	1	1					
23	1	128990-77430	COLLAR	2	2	2					
24	1	120270-77511	RELAY, MAGNETIC	1	1						Z
		(A=EXXXXX) (B=EXXXXX)									
24-1	1	128990-77550	RELAY, MAGNETIC	1	1	1					N
		(A=EXXXXX) (B=EXXXXX)									
25	1	128990-77610	GROMMET	2	2	2					
26	1	22157-080000	WASHER, 8	2	2	2					
27	1	26106-060102	BOLT, M6X 10 PLATED	1	1	1					
28	1	26106-060162	BOLT, M6X 16 PLATED	2	2	2					
29	1	26106-080202	BOLT, M8X 20 PLATED	2	2	2					
30	1	120270-77101	SWITCH, SAFETY	1	1						
30-1	1	120270-77102	SWITCH, SAFETY	1	1	1					N

# Fig.42. WIRE HARNESS & SENSOR

(A)=4JH4-TE  
(B)=4JH4-HTE  
(C)=4JH4-HTE1

(D)=  
(E)=  
(F)=



No.	Lev.	Parts No.	Description	Q'ty						I	R	
				(A)	(B)	(C)	(D)	(E)	(F)			
		(A=E15602) (B=E24940) (C=E40232)										
31	1	129570-77960	HARNESS, WIRE	1	1	1						2
32	1	177074-06350	HARNESS, WIRE	1	1	1						3
33	1	119773-91850	RELAY	1	1	1						
34	1	164100-23900	HARNESS, CONV YD	1	1	1						W 6
		(A=E15602) (B=E24940) (C=E40232)										
34-1	1	164100-23900	HARNESS, CONV YD	1	1	1						Z 6
35	1	129672-77950	RETAINER	1	1	1						W
		(A=E15602) (B=E24940) (C=E40232)										
36	1	164100-23910	HARNESS, CONV	1	1	1						W 7

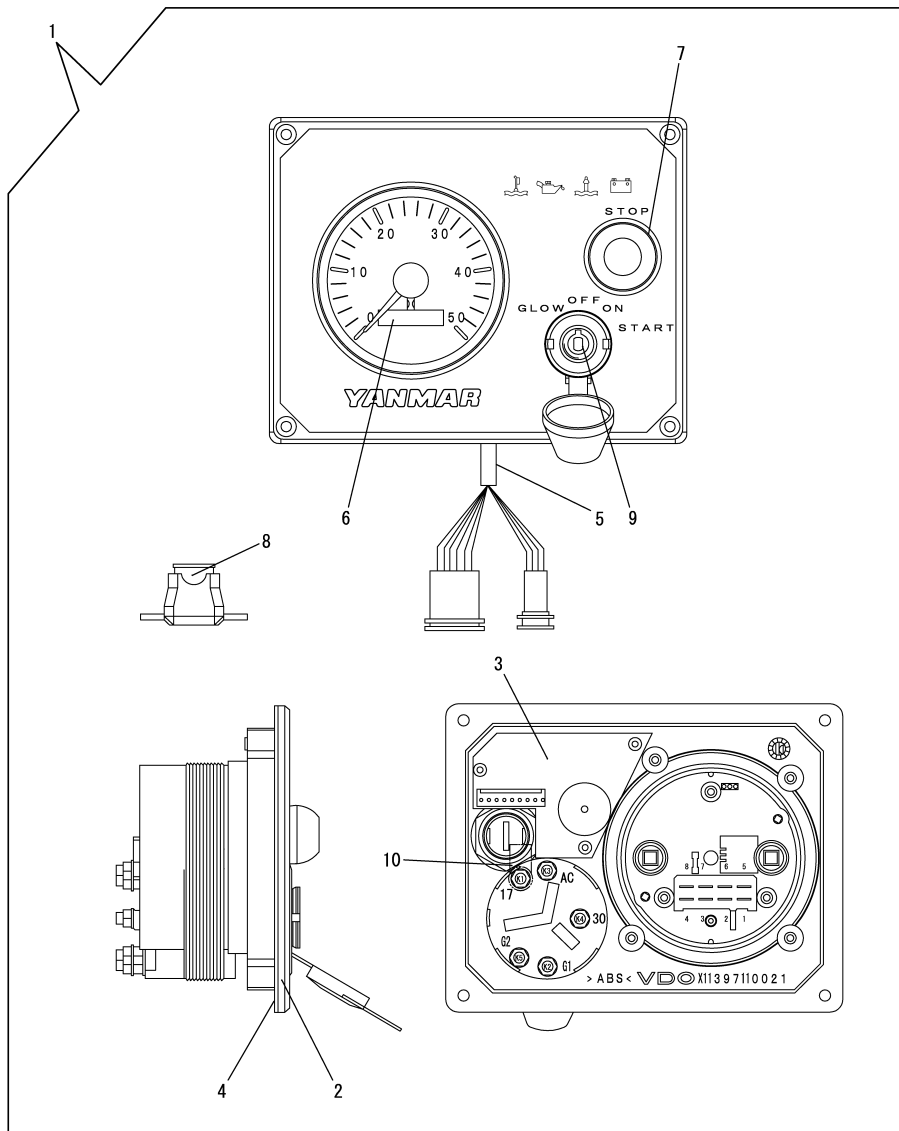
**Remarks**

- (1)C-PANEL
- (2)KM4A2
- (3)KMH4A
- (4)YAZAKI.
- (5)DEUTSCH (Valeo generator spec).
- (6)For MEDALLION panel (Conversion from VDO panel).
- (7)For VDO panel (Conversion to the Valeo generator).
- (8)Valeo generator spec.

Fig.43. INSTRUMENT PANEL(B-TYPE/OPTIONAL)

(A)=4JH4-TE  
(B)=4JH4-HTE  
(C)=4JH4-HTE1

(D)=  
(E)=  
(F)=



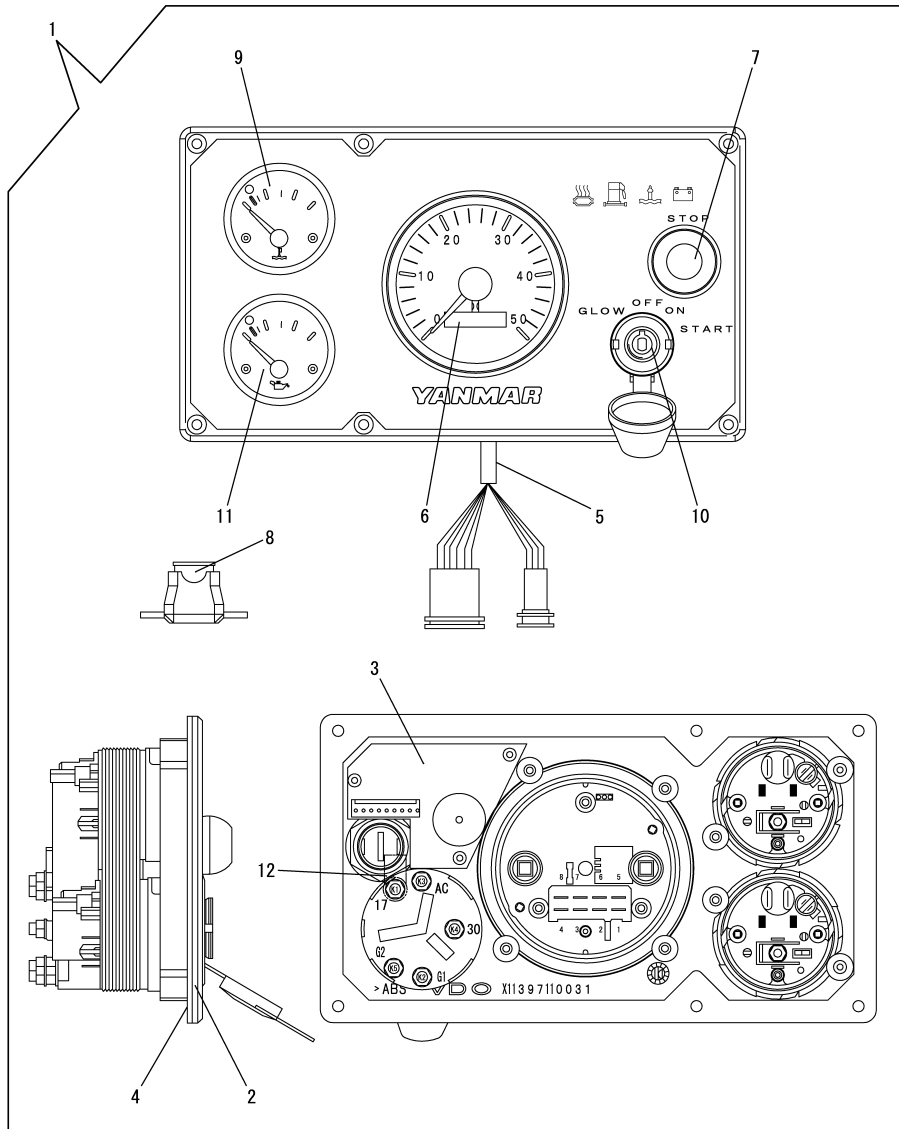
No.	Lev.	Parts No.	Description	Qty						I	R
				(A)	(B)	(C)	(D)	(E)	(F)		
1	1	129271-91110	PANEL, INSTRUMENT B	1							
1-1	1	129271-91111	PANEL, INSTRUMENT B	1	1						N
(A=*2006.02)											
1-2	1	129271-91112	PANEL	1	1						N
(A=EZZZZZ) (B=EZZZZZ)											
1-3	1	129271-91113	PANEL, INSTRUMENT B	1	1	1					N
(A=EZZZZZ) (B=EZZZZZ)											
2	2	129271-91120	PANEL, INSTRUMENT B	1	1	1					
3	2	129271-91130	CIRCUIT	1	1						
3-1	2	129271-91131	CIRCUIT WITH LED&BZR	1	1						N
(A=EZZZZZ) (B=EZZZZZ)											
3-2	2	129271-91132	CIRCUIT WITH LED&BZR	1	1	1					N
(A=EZZZZZ) (B=EZZZZZ)											
4	2	129271-91140	SEAL	1	1	1					
5	2	129271-91150	HARNES, WIRE	1	1	1					
6	2	129271-91210	TACHOMETER	1	1						
6-1	2	129271-91211	TACHOMETER (AN)10.29	1	1	1					N
(A=EZZZZZ) (B=EZZZZZ)											
7	2	129271-91220	SWITCH, STOP	1	1	1					
8	2	129271-91230	FUSE	1	1	1					
9	2	127412-91250	SWITCH, KEY	1	1	1					
10	2	129271-91260	CAP, RUBBER M5	1	1	1					W
(A=*2006.02)											

Remarks  
\*This item is applicable to [(A)=Dec., 2011] or previous machines.  
Refer to Fig.51.

Fig.44. INSTRUMENT PANEL(C-TYPE/OPTIONAL)

(A)=4JH4-TE  
(B)=4JH4-HTE  
(C)=4JH4-HTE1

(D)=  
(E)=  
(F)=



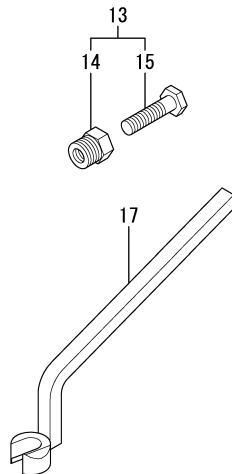
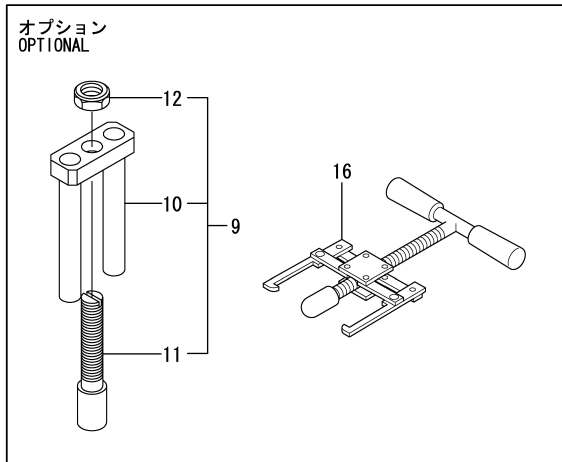
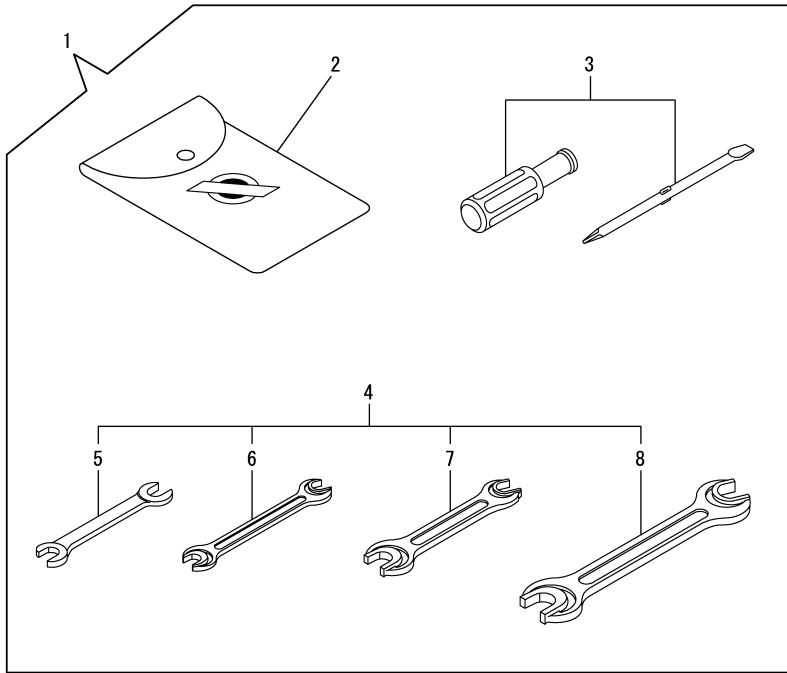
No.	Lev.	Parts No.	Description	Q'ty						I	R
				(A)	(B)	(C)	(D)	(E)	(F)		
1	1	129271-91160	PANEL, INSTRUMENT C	1							
1-1	1	129271-91161	PANEL, INSTRUMENT C	1	1						N
(A=*2006.02)											
1-2	1	129271-91162	PANEL	1	1						N
(A=EZZZZZ) (B=EZZZZZ)											
1-3	1	129271-91163	PANEL, INSTRUMENT C	1	1	1					N
(A=EZZZZZ) (B=EZZZZZ)											
2	2	129271-91170	PANEL	1	1	1					
3	2	129271-91180	CIRCUIT	1	1						
3-1	2	129271-91181	CIRCUIT	1	1						N
(A=EZZZZZ) (B=EZZZZZ)											
3-2	2	129271-91182	CIRCUIT WITH LED&BZR	1	1	1					N
(A=EZZZZZ) (B=EZZZZZ)											
4	2	129271-91190	RUBBER, SEAL	1	1	1					
5	2	129271-91200	HARNES, WIRE	1	1	1					
6	2	129271-91210	TACHOMETER	1	1						
6-1	2	129271-91211	TACHOMETER (AN)10.29	1	1	1					N
(A=EZZZZZ) (B=EZZZZZ)											
7	2	129271-91220	SWITCH, STOP	1	1	1					
8	2	129271-91230	FUSE	1	1	1					
9	2	129271-91240	THERMOMETER, WATER	1	1	1					
10	2	127412-91250	SWITCH, KEY	1	1	1					
11	2	129271-91250	GAUGE	1	1	1					
12	2	129271-91260	CAP, RUBBER M5	1	1	1					W
(A=*2006.02)											

Remarks  
\*This item is applicable to [(A)=Dec., 2011] or previous machines.  
Refer to Fig.52.

Fig.45. TOOL

(A)=4JH4-TE  
(B)=4JH4-HTE  
(C)=4JH4-HTE1

(D)=  
(E)=  
(F)=

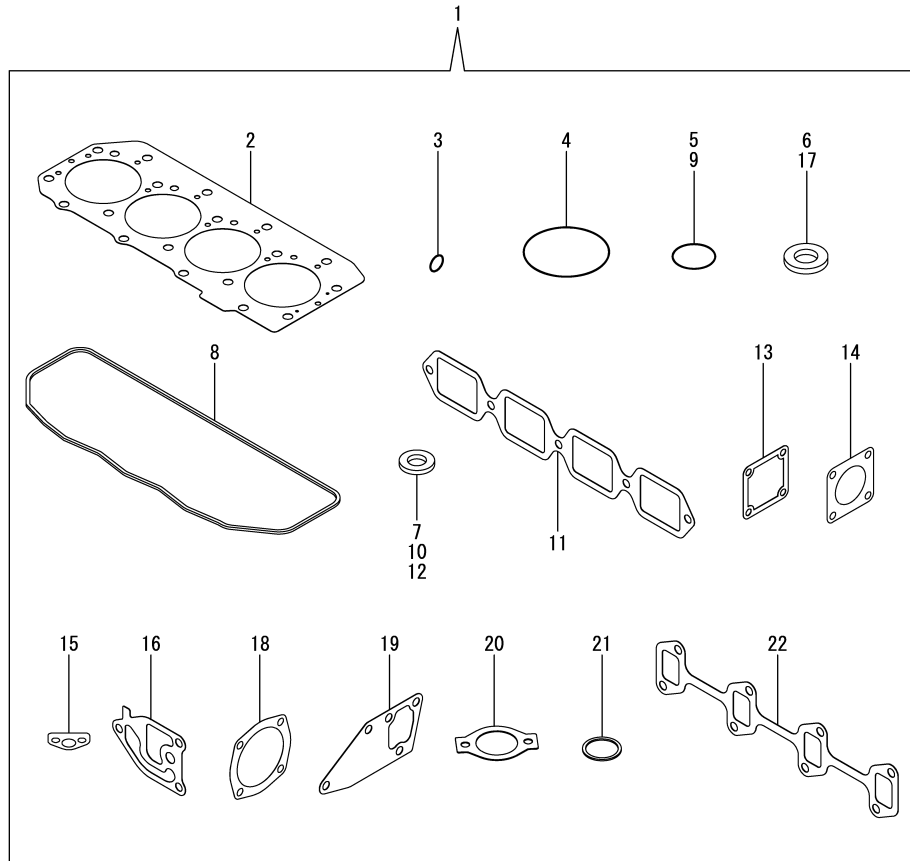


No.	Lev.	Parts No.	Description	Q'ty						I	R
				(A)	(B)	(C)	(D)	(E)	(F)		
1	1	129270-92100	BOX, TOOL	1	1						
2	2	129270-92600	BAG, TOOL	1	1						
3	2	129270-92650	DRIVER	1	1						
4	2	129270-92690	WRENCH ASSY	1	1						
5	3	129270-92610	WRENCH, 10X13	1	1						
6	3	129270-92620	WRENCH, 12X14	1	1						
7	3	129270-92630	WRENCH, 17X19	1	1						
8	3	129270-92640	WRENCH, 22X24	1	1						
9	1	129470-92300	TOOL ASSY, NOZZLE	1	1	1					
10	2	129470-92310	TOOL,NOZZLE REMOVE A	1	1	1					
11	2	129470-92320	TOOL,NOZZLE REMOVE B	1	1	1					
12	2	26716-120002	NUT, M12	1	1	1					
13	1	129671-92110	PULLER ASSY	1	1	1					
14	2	129671-92120	PULLER	1	1	1					
15	2	129671-92130	BOLT, M10X40	1	1	1					
16	1	129671-92100	TOOL, IMPELLER PULL	1	1	1					
17	1	129671-92160	TOOL,ADJUSTMENT VALV	1	1	1					W

Fig.46. GASKET SET(OPTIONAL)

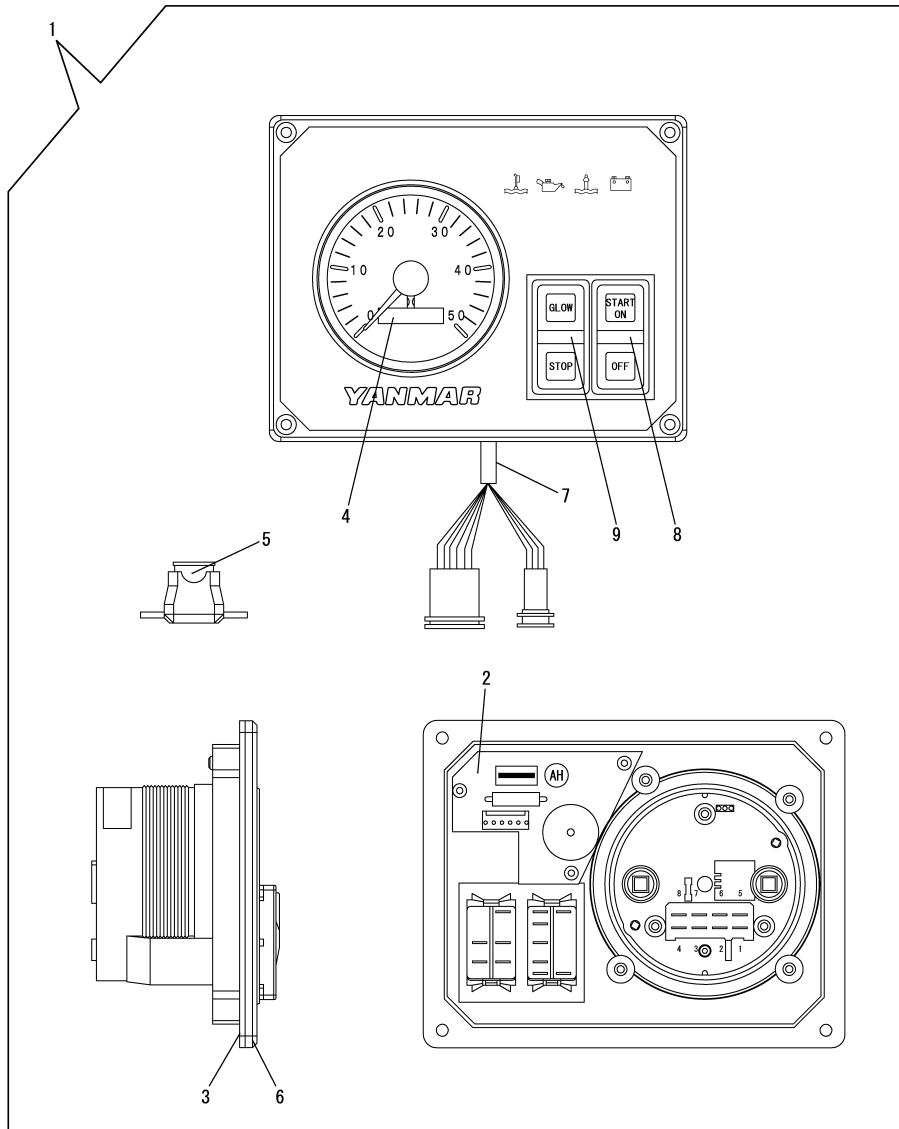
(A)=4JH4-TE  
(B)=4JH4-HTE  
(C)=4JH4-HTE1

(D)=  
(E)=  
(F)=



No.	Lev.	Parts No.	Description	Qty						I	R
				(A)	(B)	(C)	(D)	(E)	(F)		
1	1	729671-92600	GASKET SET	1	1	1					
2	2	129693-01341	GASKET, HEAD	1	1	1					
3	2	24311-000160	O-RING, 1AP16.0	2	2	2					
4	2	121850-51960	O-RING	1	1	1					
5	2	24311-000320	O-RING, 1AP32.0	1	1	1					
6	2	22190-120002	WASHER, SEAL 12	3	3	3					
7	2	23414-160000	GASKET, 16X1.0	2	2	2					
8	2	129508-11310	GASKET, BONNET	1	1	1					
9	2	24311-000120	O-RING, 1AP12.0	3	3	3					
10	2	23414-100000	GASKET, 10X1.0	3	3	3					
11	2	129671-12130	GASKET, MANIFOLD	1	1	1					
12	2	23414-080000	GASKET, 8X1.0	2	2	2					
13	2	129150-77511	GASKET	1	1	1					
14	2	129472-18090	GASKET	1	1	1					
15	2	129150-35042	GASKET	1	1	1					
16	2	129103-35122	GASKET	1	1	1					
17	2	22190-100002	WASHER, SEAL 10	2	2	2					
18	2	129150-01881	GASKET	2	2	2					
18-1	2	129C26-01890	GASKET, HO-P	2	2	2					R
		(A=EXXXXX) (B=EXXXXX) (C=EXXXXX)									
19	2	129486-42050	GASKET, WATER PUMP	1	1	1					
20	2	129795-49551	GASKET	1	1	1					
21	2	129470-49810	GASKET, THERMOSTAT	1	1	1					
21-1	2	129150-49811	GASKET, THERMOSTAT	1	1	1					R
		(A=EXXXXX) (B=EXXXXX)									
22	2	129550-13110	GASKET	1	1	1					

Fig.47. INSTRUMENT PANEL(B-TYPE/KEYLES/OPTIONAL)



(A)=4JH4-TE  
(B)=4JH4-HTE  
(C)=4JH4-HTE1

(D)=  
(E)=  
(F)=

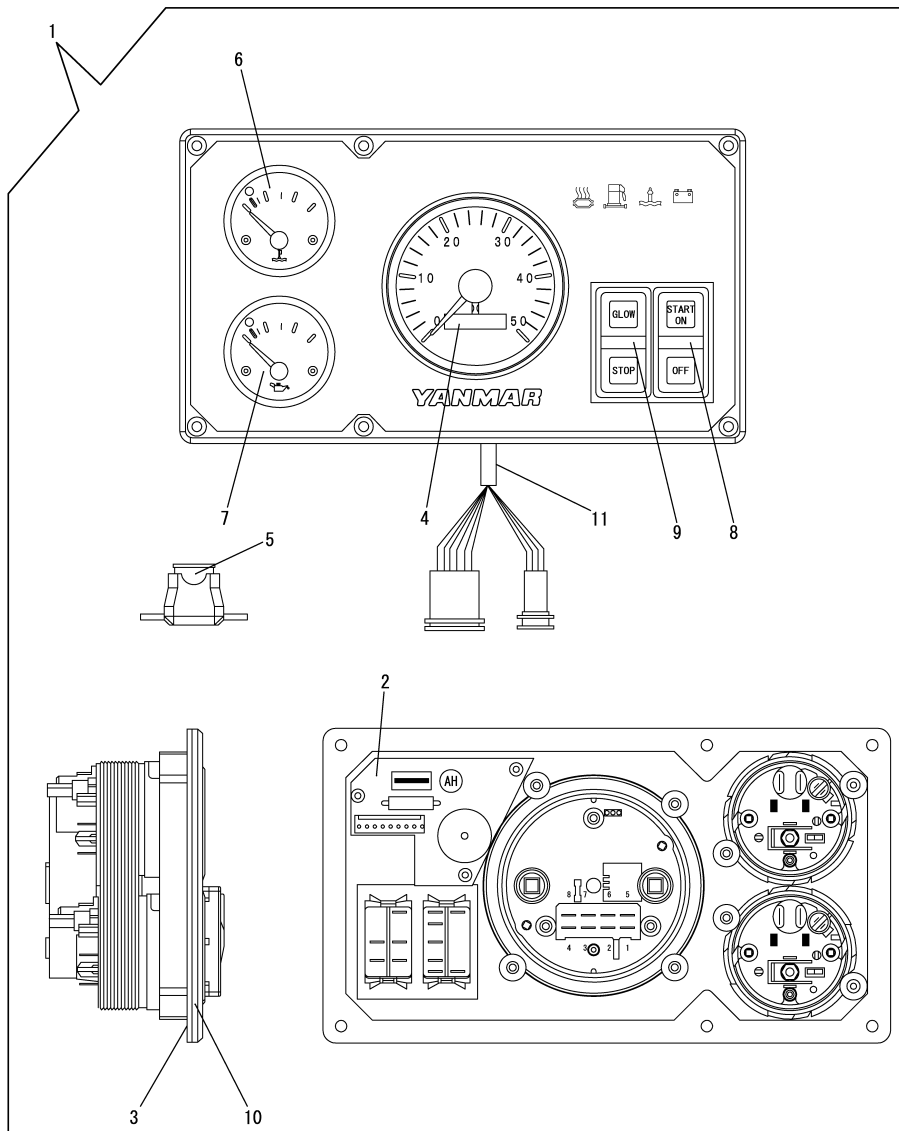
No.	Lev.	Parts No.	Description	Qty						I	R
				(A)	(B)	(C)	(D)	(E)	(F)		
1	1	129271-91300	PANEL (A=EZZZZZ) (B=EZZZZZ)	1	1						W
1-1	1	129271-91301	PANEL (A=EZZZZZ) (B=EZZZZZ)	1	1						N
1-2	1	129271-91302	PANEL,B KEYLESS (A=EZZZZZ) (B=EZZZZZ)	1	1	1					N
2	2	129271-91130	CIRCUIT	1	1						
2-1	2	129271-91131	CIRCUIT WITH LED&BZR (A=EZZZZZ) (B=EZZZZZ)	1	1						N
2-2	2	129271-91132	CIRCUIT WITH LED&BZR (A=EZZZZZ) (B=EZZZZZ)	1	1	1					N
3	2	129271-91140	SEAL	1	1	1					
4	2	129271-91210	TACHOMETER	1	1						
4-1	2	129271-91211	TACHOMETER (AN)10.29 (A=EZZZZZ) (B=EZZZZZ)	1	1	1					N
5	2	129271-91230	FUSE	1	1	1					
6	2	129271-91310	PANEL WITH COVERFOIL	1	1	1					
7	2	129271-91320	HARNES,B KEYLESS	1	1	1					
8	2	129271-91330	SWITCH,OFF/START	1	1	1					
9	2	129271-91340	SWITCH,GLOW/STOP	1	1	1					

Remarks  
\*This item is applicable to [(A)=Dec., 2011] or previous machines.  
Refer to Fig.51.

Fig.48. INSTRUMENT PANEL(C-TYPE/KEYLES/OPTIONAL)

(A)=4JH4-TE  
(B)=4JH4-HTE  
(C)=4JH4-HTE1

(D)=  
(E)=  
(F)=



No.	Lev.	Parts No.	Description	Q'ty						I	R
				(A)	(B)	(C)	(D)	(E)	(F)		
1	1	129271-91350	PANEL	1	1						W
		(A=EZZZZZ) (B=EZZZZZ)									
1-1	1	129271-91351	PANEL	1	1						N
		(A=EZZZZZ) (B=EZZZZZ)									
1-2	1	129271-91352	PANEL,C KEYLESS	1	1	1					N
		(A=EZZZZZ) (B=EZZZZZ)									
2	2	129271-91180	CIRCUIT	1	1						
2-1	2	129271-91181	CIRCUIT	1	1						N
		(A=EZZZZZ) (B=EZZZZZ)									
2-2	2	129271-91182	CIRCUIT WITH LED&BZR	1	1	1					N
		(A=EZZZZZ) (B=EZZZZZ)									
3	2	129271-91190	RUBBER, SEAL	1	1	1					
4	2	129271-91210	TACHOMETER	1	1						
4-1	2	129271-91211	TACHOMETER (AN)10.29	1	1	1					N
		(A=EZZZZZ) (B=EZZZZZ)									
5	2	129271-91230	FUSE	1	1	1					
6	2	129271-91240	THERMOMETER, WATER	1	1	1					
7	2	129271-91250	GAUGE	1	1	1					
8	2	129271-91330	SWITCH,OFF/START	1	1	1					
9	2	129271-91340	SWITCH,GLOW/STOP	1	1	1					
10	2	129271-91360	PANEL	1	1	1					
11	2	129271-91370	HARNESS, WIRE	1	1	1					

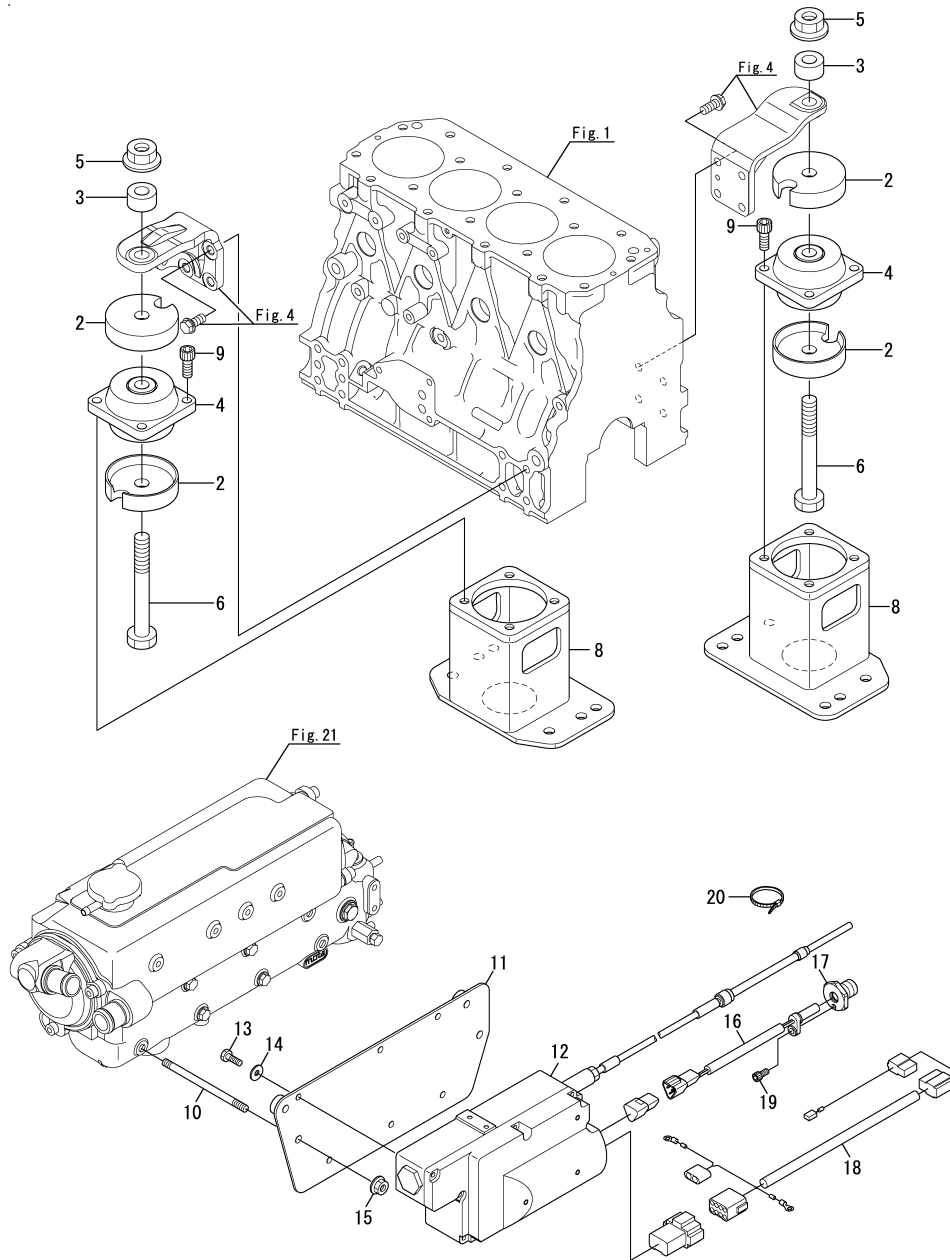
Remarks  
\*This item is applicable to [(A)=Dec., 2011] or previous machines.  
Refer to Fig.52.



Fig.49. S2 DRIVE(OPTIONAL)

(A)=4JH4-TE  
(B)=4JH4-HTE  
(C)=4JH4-HTE1

(D)=  
(E)=  
(F)=



No.	Lev.	Parts No.	Description	Q'ty						I	R
				(A)	(B)	(C)	(D)	(E)	(F)		
2	2	129671-08240	PLATE, ABSORBER	4							
3	2	129671-08250	SPACER, ABSORBER	2							
4	2	129671-08260	RUBBER, MOUNT	2							
5	2	129671-08270	NUT, M16	2							
6	2	129671-08280	BOLT, M16	2							
8	2	129671-08230	SUPPORT, MOUNT	2							
9	2	129671-08290	BOLT, 10X25	8							
10	1	129671-44300	BOLT, STUD	4							
11	1	129671-67000	BRACKET, ACTUATOR	1							
12	1	129671-77000	ACTUATOR	1							
13	1	129671-77030	BOLT, ACTUATOR	6							
14	1	128990-77510	WASHER	6							
15	1	26366-080002	NUT	4							
16	1	129671-77010	SENSOR, ROTATION	1							
17	1	129671-77020	SLEEVE, SPEED SENSOR	1							
18	1	129671-77930	HARNESS, WIRE	1							
18-1	1	129671-77931	HARNESS, WIRE	1							S 1
(A=E15602)											
19	1	26450-060122	BOLT	1							
20	1	121750-59890	BAND	2							
20-1	1	128990-59890	BAND, 200	2							R
(A=*2013.07)											

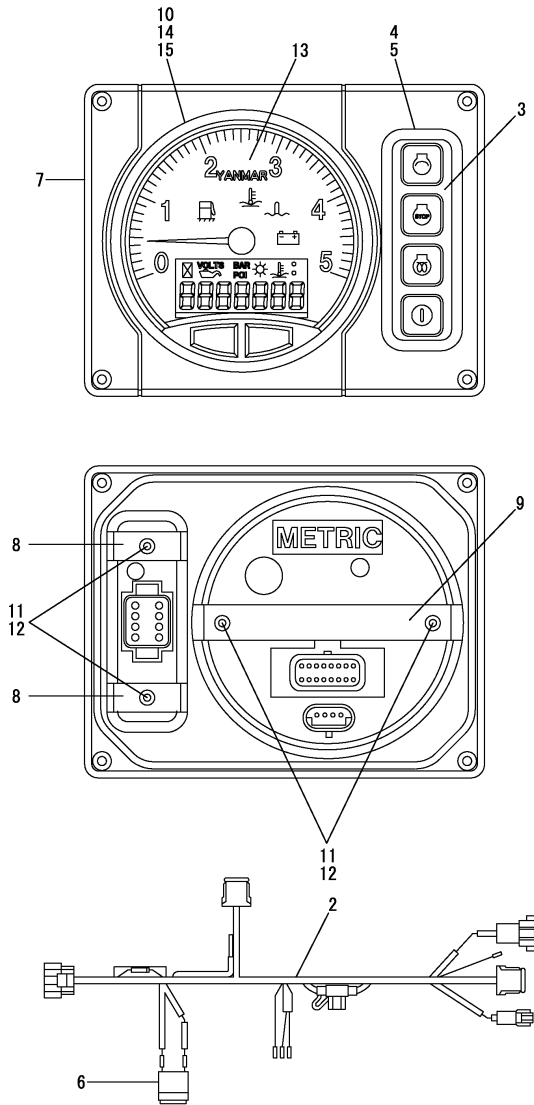
Remarks  
(1)Valeo generator specification.

Fig.51. INSTRUMENT PANEL(B20)(MEDALLION: FROM JAN., 2012)

(A)=4JH4-TE  
(B)=4JH4-HTE  
(C)=4JH4-HTE1

(D)=  
(E)=  
(F)=

1 inc. 2~15



No.	Lev.	Parts No.	Description	Q'ty						I	R
				(A)	(B)	(C)	(D)	(E)	(F)		
1	1	164100-30100 (A=EXXXXX) (B=EXXXXX)	PANEL ASSY, B20	1	1	1					W
1-1	1	164100-30101	PANEL ASSY, B20	1	1	1					N
1-2	1	164100-30102 (A=EXXXXX) (B=EXXXXX) (C=EXXXXX)	PANEL ASSY, B20 MD	1	1	1					S 1
2	2	164100-21100	HARNES, PANEL	1	1	1					
3	2	164100-31100	SWITCH, PANEL	1	1	1					
3-1	2	164100-31101	SWITCH, PANEL	1	1	1					N
4	2	164100-31150 (A=EXXXXX) (B=EXXXXX) (C=EXXXXX)	GASKET, SWITCH	1	1	1					
5	2	164100-31900	BEZEL, SWITCH BK	1	1	1					
6	2	164100-36100	BUZZER, PANEL	1	1	1					
7	2	164100-39100	FRAME, PANEL B	1	1	1					
8	2	164100-39120	BRACKET, SWITCH	2	2	2					
9	2	164100-39130	BRACKET, GAUGE 5	1	1	1					
9-1	2	164100-39131 (A=EXXXXX) (B=EXXXXX) (C=EXXXXX)	BRACKET, GAUGE 5 MD	1	1	1					S 1
10	2	164100-39150	CAP, GAUGE TERMINAL	1	1	1					
11	2	164100-39180	WASHER, LOCK	4	4	4					
12	2	164100-39190	NUT, M3.5	4	4	4					
13	2	164100-53100	GAUGE, TACH LCD 5	1	1	1					
13-1	2	164100-53101 (A=EXXXXX) (B=EXXXXX) (C=EXXXXX)	GAUGE, TACH LCD 5	1	1	1					N
13-2	2	164100-53102 (A=EXXXXX) (B=EXXXXX) (C=EXXXXX)	GAUGE, TACH LCD 5 MD	1	1	1					S 1
14	2	164100-53150	GASKET, GAUGE 5	1	1	1					
15	2	164100-53900	BEZEL, GAUGE 5 BK	1	1	1					

Remarks

\*This item is applicable to [(A)=Jan., 2012] or following machines.

Refer to Fig.43, 47.

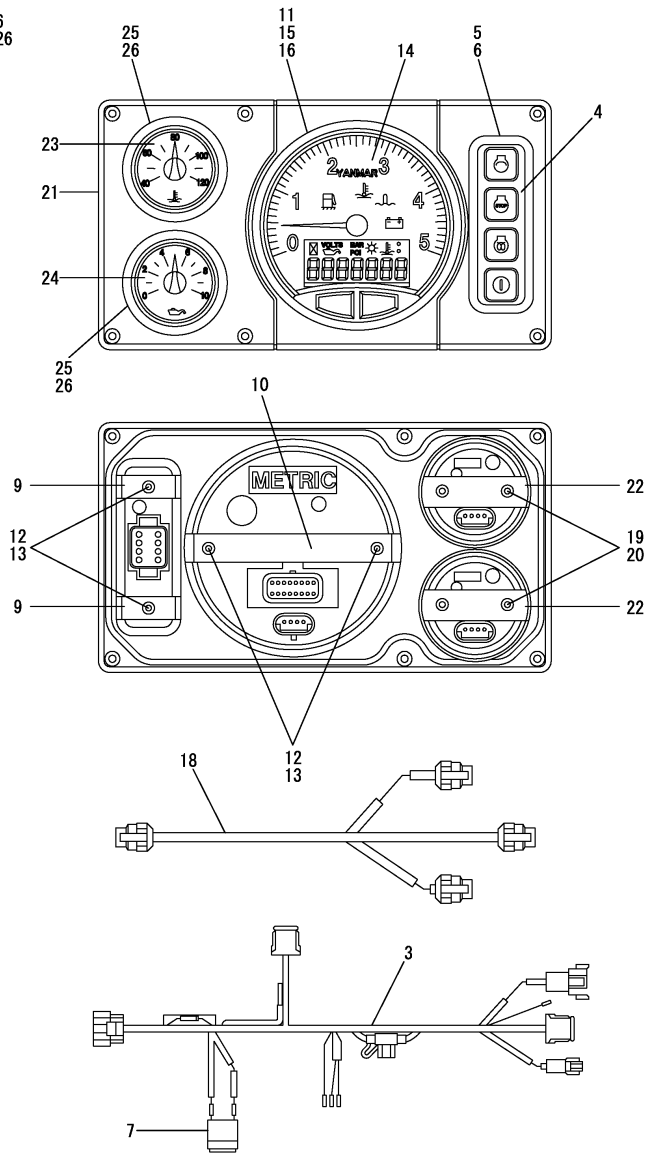
(1)Valeo generator spec.

Fig.52. INSTRUMENT PANEL(C30)(MEDALLION: FROM JAN., 2012)

(A)=4JH4-TE  
(B)=4JH4-HTE  
(C)=4JH4-HTE1

(D)=  
(E)=  
(F)=

1 inc. 3~26  
17 inc. 18~26



No.	Lev.	Parts No.	Description	Qty						I	R
				(A)	(B)	(C)	(D)	(E)	(F)		
1	1	164100-30200	PANEL ASSY, C30	1	1	1					W
		(A=EXXXXX) (B=EXXXXX)									
3	3	164100-21100	HARNESS, PANEL	1	1	1					
4	3	164100-31100	SWITCH, PANEL	1	1	1					
4-1	3	164100-31101	SWITCH, PANEL	1	1	1					N
		(A=EXXXXX) (B=EXXXXX) (C=EXXXXX)									
5	3	164100-31150	GASKET, SWITCH	1	1	1					
6	3	164100-31900	BEZEL, SWITCH BK	1	1	1					
7	3	164100-36100	BUZZER, PANEL	1	1	1					
9	3	164100-39120	BRACKET, SWITCH	2	2	2					
10	3	164100-39130	BRACKET, GAUGE 5	1	1	1					
10-1	3	164100-39131	BRACKET, GAUGE 5 MD	1	1	1					S 1
		(A=EXXXXX) (B=EXXXXX) (C=EXXXXX)									
11	3	164100-39150	CAP, GAUGE TERMINAL	1	1	1					
12	3	164100-39180	WASHER, LOCK	4	4	4					
13	3	164100-39190	NUT, M3.5	4	4	4					
14	3	164100-53100	GAUGE, TACH LCD 5	1	1	1					
14-1	3	164100-53101	GAUGE, TACH LCD 5	1	1	1					N
		(A=EXXXXX) (B=EXXXXX) (C=EXXXXX)									
14-2	2	164100-53102	GAUGE, TACH LCD 5 MD	1	1	1					S 1
		(A=EXXXXX) (B=EXXXXX) (C=EXXXXX)									
15	3	164100-53150	GASKET, GAUGE 5	1	1	1					
16	3	164100-53900	BEZEL, GAUGE 5 BK	1	1	1					
17	2	164100-30210	PANEL KIT, C30	1	1	1					
18	3	164100-21200	HARNESS, GAUGE 2	1	1	1					
19	3	164100-39180	WASHER, LOCK	4	4	4					
20	3	164100-39190	NUT, M3.5	4	4	4					
21	3	164100-39200	FRAME, PANEL C	1	1	1					
22	3	164100-39230	BRACKET, GAUGE 2 MD	2	2	2					
23	3	164100-53200	GAUGE, TEMP CW 2	1	1	1					
24	3	164100-53210	GAUGE, PRESS LO 2	1	1	1					
25	3	164100-53250	GASKET, GAUGE 2	2	2	2					
26	3	164100-53920	BEZEL, GAUGE 2 BK	2	2	2					

Remarks

\*This item is applicable to [(A)=Jan., 2012] or following machines.  
Refer to Fig.44, 48.

(1)Valeo generator spec.

## Parts No. Index

Parts No.	Fig. No.	Ref. No.
104214-39720	5	18
104407-44480	11	26
105311-67200	33	2
105425-01690	5	2
105430-55041	32	8
114250-53080	29	5
114250-53120	29	9
114250-53130	29	10
114250-53140	29	11
114250-53210	29	12
114250-53400	29	13
119129-77250	37	14
119129-77260	37	15
119129-77320	37	3
119129-77890	37	20
119129-77900	37	21
119129-77930	37	19
119171-59200	28	7
119171-59910	31	24
119171-67200	28	5
119174-25060	14	12
119187-59562	31	31
119247-77100	42	21
119305-59120	30	2
119573-77201	37	1
119620-49290	17	18
	21	22
	23	10
119625-11880	7	24
119717-11190	7	15
119717-11340	7	16
119717-11350	7	17
119717-11800	7	8
119773-42570	19	10
119773-91650	42	19
119773-91700	42	20
119773-91850	42	33
119802-03070	8	4
119802-11870	7	23
119802-21660	15	8
119803-53400	29	13 -1
120130-91370	42	17
120149-08441	4	8
		18
120270-77101	42	30
120270-77102	42	30 -1
120270-77511	42	24
121111-21501	15	11
121252-39450	42	13 -1
121450-01560	2	4

Parts No.	Fig. No.	Ref. No.
121450-01560	28	11
121550-23200	16	13
121574-86320	33	7
121750-59890	17	35
	40	4
	49	20
121850-11860	7	9 -1
121850-21680	15	10
121850-51960	28	9
	46	4
121857-55750	31	7
		15
121857-55760	31	8
		16
122780-59100	30	11
123310-77640	36	25
123325-49421	10	15
123682-07852	6	5
123900-77700	38	2
123900-77730	38	3
123901-39820	18	11
123907-11550	7	47
123907-11601	30	1
123907-11830	7	21
123907-59540	31	28
123907-59550	31	30
123907-59560	31	32
124060-39452	42	13
124070-77950	42	4
124080-77390	37	10
124080-77520	37	12
124160-01751	8	1
124160-01910	1	6
		32
	17	13
124160-11360	8	12
124160-39140	18	1
124195-77770	36	23
124223-39900	18	4
124240-01871	2	9
	19	24
124413-39100	17	33
124413-39710	18	3
124460-77680	11	31
	12	31
	17	31
	21	31
	23	13
124550-01590	2	5
124550-21600	15	15

Parts No.	Fig. No.	Ref. No.
124550-77030	36	27
124770-77940	42	3
124976-34850	1	45
127412-91250	43	9
	44	10
127675-82650	23	6
128170-13600	11	24
	12	24
	21	28
128170-86501	33	12
128271-77200	38	1
128271-77730	38	4
128271-77740	38	5
128271-77750	38	6
128377-07150	6	1
128377-07190	6	12
128377-07260	6	2
128377-07270	6	3
128377-07350	6	4
	39	2
	40	7
128377-07400	6	13
128377-07420	6	14
128377-07450	6	15
128377-07460	6	16
128391-77720	42	8
128397-44500	21	34
128397-44510	21	36
128990-07270	6	2 -1
128990-49320	20	31
		32
128990-59131	32	2
128990-59540	31	26
128990-59700	32	1
128990-59890	42	1 -2
	49	20 -1
128990-77250	53	15
128990-77400	42	22
128990-77430	39	4
	40	6
	42	23
128990-77510	49	14
128990-77550	42	24 -1
128990-77610	39	5
	40	9
	42	25
128990-77910	9	13
128990-77911	9	13 -1
129001-01250	1	5
129001-02930	1	25

Parts No.	Fig. No.	Ref. No.
129001-02931	1	25 -1
129006-03120	8	6
129054-42320	20	6
129100-01580	15	2
129100-77500	9	10
129100-77501	9	10 -1
129100-77510	9	11
129103-35122	17	16
	46	16
129150-01200	1	37
129150-01881	19	20
		25
	46	18
129150-02020	1	8
129150-02450	14	4
129150-02870	1	39
129150-02871	1	39 -1
129150-02930	1	28
129150-02931	1	28 -1
129150-02940	1	42
129150-02941	1	42 -1
129150-03070	8	5
129150-11230	7	38
		42
129150-11750	7	20
		40
		44
129150-14101	14	7
129150-14200	14	1
129150-14400	14	2
129150-23600	16	14
129150-23601	16	14 -1
129150-23610	16	16
129150-23611	16	16 -1
129150-25020	14	10
129150-25052	14	11
129150-32020	17	2
129150-35042	17	4
	46	15
129150-35153	17	17
129150-42059	20	2
129150-42300	20	4
129150-42301	20	4 -1
129150-42319	20	5
129150-49811	20	28 -1
	46	21 -1
129150-59131	30	5
129150-77511	9	7
		12
	13	19

## Parts No. Index

Parts No.	Fig. No.	Ref. No.
129150-77511	46	13
129156-44760	20	18
129171-49900	22	41
	23	39
129189-21200	15	5
129198-59540	9	23
129263-42120	20	3
129270-44501	21	35
129270-92100	45	1
129270-92600	45	2
129270-92610	45	5
129270-92620	45	6
129270-92630	45	7
129270-92640	45	8
129270-92650	45	3
129270-92690	45	4
129271-21350	40	1
129271-21660	15	29
129271-42001	20	1
129271-42350	20	34
129271-42510	19	8
129271-49110	24	15
129271-77220	41	2
129271-77230	41	29
129271-77240	41	3
		33
129271-77250	41	4
129271-77270	41	6
129271-77280	41	7
129271-77290	41	8
129271-77320	41	9
129271-77420	22	19
		25
		30
		35
	23	19
		28
		33
	39	9
	40	19
129271-77421	39	9 -1
129271-77430	40	20
129271-77580	41	2 C
129271-77590	41	32
129271-77600	41	2 A
129271-77610	41	30
129271-77620	41	2 B
		31
129271-77631	53	8
129271-77641	53	9

Parts No.	Fig. No.	Ref. No.
129271-77921	9	16
129271-77931	40	10
129271-91110	43	1
129271-91111	43	1 -1
129271-91112	43	1 -2
129271-91113	43	1 -3
129271-91120	43	2
129271-91130	43	3
	47	2
129271-91131	43	3 -1
	47	2 -1
129271-91132	43	3 -2
	47	2 -2
129271-91140	43	4
	47	3
129271-91150	43	5
129271-91160	44	1
129271-91161	44	1 -1
129271-91162	44	1 -2
129271-91163	44	1 -3
129271-91170	44	2
129271-91180	44	3
	48	2
129271-91181	44	3 -1
	48	2 -1
129271-91182	44	3 -2
	48	2 -2
129271-91190	44	4
	48	3
129271-91200	44	5
129271-91210	43	6
	44	6
	47	4
	48	4
129271-91211	43	6 -1
	44	6 -1
	47	4 -1
	48	4 -1
129271-91220	43	7
	44	7
129271-91230	43	8
	44	8
	47	5
	48	5
129271-91240	44	9
	48	6
129271-91250	44	11
	48	7
129271-91260	43	10
	44	12

Parts No.	Fig. No.	Ref. No.
129271-91300	47	1
129271-91301	47	1 -1
129271-91302	47	1 -2
129271-91310	47	6
129271-91320	47	7
129271-91330	47	8
	48	8
129271-91340	47	9
	48	9
129271-91350	48	1
129271-91351	48	1 -1
129271-91352	48	1 -2
129271-91360	48	10
129271-91370	48	11
129301-34830	5	13
	18	8
129410-03990	8	16
129417-33110	17	11
129417-33111	17	11 -1
129470-01710	5	7
129470-07230	7	50
129470-12301	9	4
129470-12320	9	4 B
129470-12330	9	4 A
129470-49801	20	27
129470-49810	20	28
	46	21
129470-83750	35	12
129470-85900	35	8
129470-86500	33	15
129470-92300	45	9
129470-92310	45	10
129470-92320	45	11
129472-13501	10	7
129472-13520	10	1
		12
129472-13550	10	13
129472-13560	10	9
		14
129472-18090	11	25
	12	25
	46	14
129472-39620	18	10
129473-34850	5	14
129473-34880	5	15
129473-35091	17	5
129473-49310	24	5
129473-85900	35	1
129473-85910	35	2
129474-18151	13	18

Parts No.	Fig. No.	Ref. No.
129474-18171	9	27
129474-18181	13	21
129486-42050	20	16
	46	19
129490-49070	22	39
	23	37
129508-03010	8	3
129508-11130	7	13
129508-11180	7	14
129508-11241	7	31
129508-11250	7	32
129508-11260	7	34
129508-11270	7	35
129508-11280	7	36
129508-11310	8	9
	46	8
129508-11350	8	2
129508-11650	7	37
129508-11660	7	41
129508-11820	7	22
129508-11900	7	25
129508-11920	7	45
129508-14580	14	3
129508-59550	31	29
129550-13110	21	29
	46	22
129550-42350	20	17
129553-39650	1	35
129570-34880	5	27
129570-77960	42	31
129571-18130	9	6
129571-18140	9	9
129573-18120	13	9
129573-22301	16	7
129573-25090	14	16
129573-49540	20	25
129574-21590	15	12
129574-55700	31	5
		12
129574-55711	31	6
		13
129574-55730	31	14
129574-55780	31	9
		17
129574-55810	31	4
129574-55820	31	11
129574-55830	31	18
129574-55840	31	10
129574-59990	31	33
129574-59991	31	33 -1

## Parts No. Index

Parts No.	Fig. No.	Ref. No.
129574-77710	42	9
129574-77720	42	10
129574-77740	42	11
129574-77980	42	12
129595-18132	13	24
129595-18141	9	20
	13	14
129595-18151	13	17
129608-77010	36	1
129608-77110	36	4
129670-07100	6	19
129670-07101	6	19 -1
		19 -2
129670-07230	7	50 -1
		50 -2
	21	28 A
129670-08220	4	4
129670-08350	4	7
129670-08351	4	7 -1
129670-13600	11	24 -1
	12	24 -1
	21	28 -1
129670-34810	5	26
129670-39600	42	14
129670-39990	17	34 -1
		34 -2
129670-42512	19	1
129670-42520	19	6
129670-42531	19	18
129670-42540	19	5
129670-42550	19	7
129670-42560	19	13
129670-42570	19	16
129670-42580	19	19
129670-42700	19	21
129670-44570	21	37
129670-49290	11	27
	12	27
129670-49390	20	33
129670-49410	22	10
	23	42
129670-49500	10	21
		24
	22	5
		11
		18
		24
		29
		34
		40

Parts No.	Fig. No.	Ref. No.
129670-49500	23	12
		18
		27
		32
		38
		43
	24	3
	25	13
129670-55700	31	3
129670-77030	36	27 -1
129670-77350	37	23
	53	5
129670-77370	37	24 -2
	53	6
129670-77380	37	25 -1
	53	7
129670-77430	37	26
129670-81850	15	24
129671-03090	8	15
129671-07570	6	11
129671-07900	7	48 -1
129671-08150	4	1
129671-08160	4	2
129671-08210	4	3
129671-08230	49	8
129671-08240	49	2
129671-08250	4	14 -1
		17
	49	3
129671-08260	49	4
129671-08270	49	5
129671-08280	49	6
129671-08290	49	9
129671-11700	7	1
129671-11900	8	17
129671-12120	9	1
129671-12130	9	2
	46	11
129671-13551	10	2
129671-13552	10	2 -1
129671-13570	10	5 -1
129671-18001	12	1
129671-18010	11	1
129671-18150	9	20 -1
	13	14 -1
129671-22050	16	1
129671-22051	16	1 -1
129671-22052	16	1 -2
129671-25920	28	21
129671-32000	17	1

Parts No.	Fig. No.	Ref. No.
129671-39460	18	2
129671-42280	20	24 -1
129671-44300	49	10
129671-44310	21	30 -1
129671-49010	22	1
129671-49020	22	2
129671-49030	22	7
129671-49100	22	32
129671-49110	22	3
		16
		21
		27
		33
	23	16
		24
		30
129671-49120	22	4
		9
129671-49220	24	1
129671-49230	22	13
	23	21
129671-49240	22	14
	23	22
129671-49310	24	10
129671-49320	24	11
129671-49330	24	12
129671-49410	17	26
129671-49430	20	19
129671-51950	28	1
129671-51990	31	37
129671-53010	29	2
129671-55660	31	2
	41	1
129671-55720	40	2
129671-59140	30	12
129671-59150	30	13
129671-59810	30	7
129671-59820	30	8
129671-59830	30	9
129671-59840	30	10
129671-67000	49	11
129671-77000	49	12
129671-77010	49	16
129671-77020	49	17
129671-77030	49	13
129671-77260	41	5
129671-77320	40	3
129671-77321	40	3 -1
129671-77340	41	10
129671-77341	41	10 -1

Parts No.	Fig. No.	Ref. No.
129671-77350	41	11
129671-77351	41	11 -1
129671-77360	41	12
129671-77370	41	13
129671-77380	41	14
129671-77390	39	1
129671-77400	39	3
129671-77410	39	8
129671-77411	39	8 -1
129671-77490	40	5
129671-77520	40	8
129671-77680	20	24 -2
129671-77910	42	2
129671-77911	42	2 -1
129671-77930	49	18
129671-77931	49	18 -1
129671-92100	45	16
129671-92110	45	13
129671-92120	45	14
129671-92130	45	15
129671-92160	45	17
129672-07100	6	19 A
129672-07570	6	11 A
129672-11100	7	11
129672-11110	7	12
129672-11510	7	18
129672-11700	7	1 A
129672-18100	13	1
129672-18110	13	1 -1
129672-18130	13	2 -1
129672-18140	13	3 -1
129672-18150	13	8 A
129672-18160	13	8 B
129672-18170	13	6 -1
129672-18180	13	8 -1
129672-18190	13	8 C
129672-18230	13	3
129672-22020	16	1 A
129672-22021	16	1 A-1
129672-33050	17	9
129672-33060	17	14
129672-35000	17	12
129672-44020	21	2
129672-44070	21	8
129672-44100	21	13
129672-44150	21	18
129672-44160	21	19
129672-44170	21	20
129672-44400	21	21
129672-44900	21	1

## Parts No. Index

Parts No.	Fig. No.	Ref. No.
129672-49030	22	8
	23	40
129672-49050	23	4 -1
129672-49060	23	1 -1
129672-49070	23	8
129672-49230	23	9
129672-49240	23	41
129672-49260	24	2
129672-49310	17	22
129672-49320	17	23
129672-49340	17	25
129672-49410	22	17
	23	17
129672-49420	23	11
129672-49500	24	6
129672-51950	28	1 A
129672-51970	28	1 B
129672-53010	29	2 A
129672-77950	42	35
129672-81000	34	1
129672-81010	34	2
129672-81020	34	3
129673-01520	2	1
129673-01620	3	1
129673-01700	5	1
129673-13551	10	19
129673-13552	10	19 -1
129673-18140	13	17 -1
129673-18220	13	2
129673-18250	13	6
129673-22500	16	3 -2
129673-22501	16	3 -3
129673-44090	21	12
129673-44110	21	4
129673-44131	21	17
129673-44150	21	6
129673-44560	24	4
129673-49010	23	1
129673-49060	10	22
	23	7
129673-49110	10	20
129673-49150	10	23
129673-49310	24	5 -1
129673-49410	22	22
	23	25
129673-49420	22	23
	23	26
129673-49430	22	28
	23	31
129673-51251	28	12

Parts No.	Fig. No.	Ref. No.
129673-54030	28	10
129673-55650	31	1
129673-55660	31	1 -1
129673-81010	34	4
129673-81020	34	5
129673-81100	34	6
129673-81110	34	7
129673-81150	15	20
129673-81200	34	8
129673-81210	34	9
129673-81250	15	22
129673-81760	15	18
129673-85100	35	9
129693-01341	1	38
	46	2
129693-01520	2	3
129693-18450	9	22
129693-25100	14	13
129693-39601	18	9
129693-44300	7	27
129693-44310	21	30
129693-44420	21	11
		16
129693-49040	23	3
129693-49050	23	4
129693-67102	30	14
	33	1
129693-67210	28	6
129695-77370	37	24
129695-77371	37	24 -1
129695-77380	37	25
129698-21000	15	1
129698-21001	15	1 -1
129698-49020	23	2
129698-77020	36	2
129698-77101	36	3
129698-77120	36	5
129698-77130	36	7
129698-77140	36	6
129698-77150	36	8
129698-77161	36	9
129698-77170	36	10
129698-77180	36	17
129698-77190	36	18
129698-77200	36	19
129698-77210	36	20
129698-77220	36	21
129698-77230	36	22
129698-77240	36	15
129698-77250	36	16

Parts No.	Fig. No.	Ref. No.
129698-77260	36	11
129698-77270	36	13
129698-77280	36	14
129795-01780	3	2
129795-01800	2	8
129795-01950	1	31
	2	10
129795-02411	1	11
129795-02412	1	11 -1
129795-21661	15	9
129795-48800	25	1
129795-49551	20	26
	46	20
129900-77810	38	7
129907-11950	7	26
129908-33101	17	10
129916-49740	20	7
129C26-01890	19	25 -1
	46	18 -1
138603-59380	32	4
164100-21100	51	2
	52	3
164100-21200	52	18
164100-22720	42	9 -1
164100-22730	42	10 -1
164100-22740	42	11 -1
164100-22830	42	8 -1
164100-23900	42	34
		34 -1
164100-23910	42	36
164100-30100	51	1
164100-30101	51	1 -1
164100-30102	51	1 -2
164100-30200	52	1
164100-30210	52	17
164100-31100	51	3
	52	4
164100-31101	51	3 -1
	52	4 -1
164100-31150	51	4
	52	5
164100-31900	51	5
	52	6
164100-36100	51	6
	52	7
164100-39100	51	7
164100-39120	51	8
	52	9
164100-39130	51	9
	52	10

Parts No.	Fig. No.	Ref. No.
164100-39131	51	9 -1
	52	10 -1
164100-39150	51	10
	52	11
164100-39180	51	11
	52	12
		19
164100-39190	51	12
	52	13
		20
164100-39200	52	21
164100-39230	52	22
164100-53100	51	13
	52	14
164100-53101	51	13 -1
	52	14 -1
164100-53102	51	13 -2
	52	14 -2
164100-53150	51	14
	52	15
164100-53200	52	23
164100-53210	52	24
164100-53250	52	25
164100-53900	51	15
	52	16
164100-53920	52	26
171007-49400	11	30
	12	30
171051-01921	1	7
177050-02811	6	8
177050-02821	6	10
177061-02811	6	9
177073-02431	6	7
177074-06350	42	32
177090-03500	15	16
194250-51660	42	1
194440-51620	24	7
196440-02380	4	10
196440-02390	4	11
196440-04300	15	27
196630-12980	6	6
22133-080000	11	32
	12	32
22137-080000	10	3
		16
	13	10
	31	19
	37	27
	41	16
	42	5

## Parts No. Index

Parts No.	Fig. No.	Ref. No.
22137-080000	53	10
22137-100000	3	3
	15	31
	37	28
	41	17
22137-120000	41	18
22137-160000	4	15
		15 -1
		19
22157-080000	39	6
	40	12
	42	26
22190-080002	31	34
22190-100002	18	5
	46	17
22190-120002	31	25
		35
	46	6
22190-160002	5	5
22217-050000	53	1
22217-060000	9	17
22217-080000	5	19
	13	7
	15	25
	17	6
	42	6
	53	2
22217-100000	5	20
22217-120000	4	12
22242-000100	33	6
22252-000280	16	8
22351-030010	1	33
22351-060012	1	34
	7	28
22414-250150	33	8
22512-070140	14	8
	15	6
22724-800380	36	26
22857-500100	8	10
23000-013000	9	24
	24	8
	31	36
23000-016000	24	13
	31	27
23000-019000	24	13 -1
	31	27 -1
23000-022000	17	27
	22	15
	23	23
23000-025000	18	12

Parts No.	Fig. No.	Ref. No.
23000-054000	9	5
	13	11
23000-060000	9	21
23000-070000	13	12
23010-013000	21	38
23010-014000	32	5
23061-070300	11	33
	12	33
	17	32
	21	32
	23	14
23072-101000	25	12
23297-270081	40	11
23387-040800	9	25
23414-080000	9	26
	46	12
23414-100000	18	6
	46	10
23414-130000	10	4
		10
23414-160000	5	21
		28
	46	7
23414-170000	21	26
23831-100000	5	29
23857-030000	1	36
23875-010000	42	15
23875-030000	5	6
	20	21
23876-010000	1	12
	13	23
23876-020000	7	9
23876-030000	1	13
	24	9
23887-180002	42	18
23893-020002	10	5
		11
23893-030002	21	27
23894-030002	21	27 -1
24311-000060	25	11
24311-000120	7	52
	8	13
	46	9
24311-000160	2	11
	46	3
24311-000320	8	14
	46	5
24314-000180	18	13
24321-000600	17	28
24341-000400	8	11

Parts No.	Fig. No.	Ref. No.
24341-000500	28	15
24358-240310	20	5 -1
25132-003800	40	13
25132-004600	20	24
26022-050162	33	9
26106-060082	9	18
26106-060102	20	22
	42	27
26106-060122	20	35
26106-060162	18	14
	42	28
26106-060202	20	8
	30	15
26106-080102	24	14
26106-080122	5	22
	18	7
	30	16
	33	10
26106-080142	14	9
	17	7
26106-080162	2	12
	5	23
	7	49 -1
		51
	15	17
		26
	22	6
		12
	23	15
	42	7
26106-080202	9	3
	13	13
		20
	15	19
		21 -1
		28 -1
	17	29
	42	29
26106-080222	15	21
		28
26106-080252	5	8
		9
		10
	7	29
	15	23
	19	22
		26
	20	29
	31	20
	37	29

Parts No.	Fig. No.	Ref. No.
26106-080252	40	14
26106-080302	13	8
26106-080352	10	17
	17	8
		30
26106-080402	9	8
		19
		28
26106-080452	2	13
	5	11
26106-080502	7	30
	13	15
	20	30
26106-080552	2	14
	20	23
26106-080652	28	16
	37	30
	53	11
26106-080752	28	17
26106-080852	2	15
	40	15
26106-100182	28	18
26106-100202	15	30
26106-100222	4	5
	5	24
	28	19
26106-100252	5	12
	18	15
	40	18
26106-100302	34	10
	40	16
26106-100322	35	4
		10
		15
26106-100352	41	19
26106-100402	41	19 -1
26116-060162	20	9
26116-080302	25	14
26116-080804	53	12
26116-081202	41	20
26116-081302	41	21
26116-082002	13	16
26116-100304	41	22
26116-100502	41	23
26116-120302	36	24
26116-120352	4	6
26116-120502	41	24
26206-100302	3	4
26216-080282	28	20
26226-080352	7	46



## Parts No. Index

Parts No.	Fig. No.	Ref. No.
26226-100222	34	11
26226-100252	34	11 -1
26306-080002	5	25
	19	23
		27
	21	33
	28	13
		14
	31	21
	39	7
	40	17
26366-080002	22	20
		26
		31
		36
	23	20
		29
		34
	49	15
	53	13
26366-100002	41	25
26450-060122	49	19
26450-060252	17	3
26450-080162	21	28 B
26450-120402	35	14
26577-060142	20	10
26664-080002	25	7
26703-080002	10	6
		18
	11	34
	12	26
	25	15
26706-100002	35	5
		11
		16
26716-050002	53	3
26716-080002	31	22
	41	26
	53	14
26716-100002	34	12
26716-120002	4	13
	41	27
	45	12
26756-080002	35	6
	36	28
	41	28
	53	4
27241-120000	1	14
27241-300000	1	15
27241-400000	7	10

Parts No.	Fig. No.	Ref. No.
29622-250001	42	1 -1
41710-000380	33	14
41710-000410	33	11
41730-000681	33	13
43530-500570	22	37
	23	35
43662-025030	22	38
	23	36
43662-025031	22	38 -1
	23	36 -1
43720-001220	17	34
48110-032411	35	7
48110-034071	35	3
729573-23700	16	9
729671-01560	1	1
729671-53110	29	1
729671-92600	46	1
729672-53110	29	1 A
729692-22510	16	3
729692-22511	16	3 -1
796440-08630	4	9
83213-003012	32	7
977780-01200	27	1
977780-01210	26	1
977780-01211	26	1 -1
	27	1 -1
	50	1
977780-01230	26	2
	27	2
977780-01240	27	3
977780-01250	26	3
977780-03000	26	9
	27	9
	50	9
X00190001	19	9
X00370017	19	15
X00371040	19	17
X0044021509	26	7
	27	7
	50	7
X0131214140	28	3
X01357681	19	3
X0146531	19	4
X02230015	19	12
X02233001	19	14
X0293214050	28	2
X0294704030	28	4
X0318101004	50	2
X03431483	19	11
X1466584820	28	8

Parts No.	Fig. No.	Ref. No.
X158606410X	50	3
X179100011X	27	5
X179100021X	26	5
X179100022X	50	5
X179100100X	26	6
	27	6
	50	6
X199903800X	26	8
	27	8
X199906101X	50	8
X2114535200	36	12
X6303BM0000	37	18
X8636008003	26	4
	27	4
X8636015001	50	4
XL150M14041	37	17
XL155G1330	37	8
XL180120000	37	4
XL1808320	37	13
XL180G13012	37	6
XL180G43150	37	7
XL180G61000	37	2
XL180G63006	37	5
XL180G85001	37	22
XL225431800	37	11
XL225G1325	37	9
XL235340110	37	16
XNB131008	11	6
	12	5
XNB133206	11	23
	12	21
XNB133208	11	22
	12	22
XNB134007	11	15
	12	11
XNE923383	11	20
	12	16
XNE928722	11	16
XNE928727	12	13
XNN131008	11	5
	12	6
XNN131108	11	8
	12	8
XNN131536	11	7
	12	7
XNN131578	11	4
	12	3
XNN131579	11	3
	12	4
XNN131614	11	2

Parts No.	Fig. No.	Ref. No.
XNN131614	12	2
XNN133021	11	10
XNN133022	12	18
XNN133208	11	21
	12	17
XNN133506	11	11
	12	19
XNN133596	11	12
	12	20
XNN133911	12	10
XNN133960	11	13
XNN134035	11	14
	12	12
XNN136613	12	9
XNN136617	11	9
XNN137007	11	19
	12	14
XNN137055	11	17
	12	23
XNN137423	11	18
	12	15
XTST25S001	25	2
XTST25S002	25	3
XTST25S003	25	4
XTST25S004	25	5
XTST25S005	25	6
XTST25S007	25	8
XTST25S008	25	9
XTST25S009	25	10