

# HUNTER OWNER'S MANUAL

## TABLE OF CONTENTS

<i>INTRODUCTION</i>	<i>PAGE</i>
• Warranty Registration Form.....	1
• Hunter Warranty.....	2-3
• Brief History.....	4
• Glossary of Sailing Terms.....	5-8
• Explanation of Symbols and Labels.....	9
 <i>GENERAL HANDLING AND OPERATION</i>	
• Safe Boating Tips.....	10-11
• Pre-Departure Checklist.....	12
• Float Plan.....	13
• After Sailing Check List.....	14
• Docking and Anchoring.....	15
• Diesel Engine and Motoring.....	16-17
• Electrical System.....	17-18
• Cook Stove.....	19
• Toilet.....	19
• Opening Hull Ports.....	19
• Pumps.....	20
• Water System Operation.....	20
• Waste Discharge.....	21
• Environmental Considerations.....	22
 <i>MAINTENANCE</i>	
• Instructions for Preparation for Bottom Painting.....	23
• Engine, Transmission, and Drive train.....	24-25
• Compasses.....	26
• Steering Systems.....	26
• Electrical Systems.....	26
• Plumbing Systems.....	27
• Fuel Systems.....	27
• General Care.....	28-29
• Fabric Care.....	29
• Electrolysis and Galvanic Protection.....	30
• Teak Care.....	30
• Storage/Winterization.....	31-33
• Certification Details.....	34
• Lightning Warning.....	35

# *HUNTER OWNER'S MANUAL*

## *TABLE OF CONTENTS (CONT'D)*

<i>DESCRIPTION OF MODEL</i>	<i>PAGE</i>
• Profile with Rig and Sail Dimensions.....	36
• Dimensions, Capacities, etc.....	37
• Deck Plan and Hardware.....	38
• Deck Hardware Parts Listing.....	39
• Accommodation Plan.....	40A-40C
• Dinette Table Operation.....	41A
• Lifting Points.....	41B
• Running Rigging Layout.....	42A-1&2
• Mainsheet Rigging.....	43
• Arch Installation.....	44
• Boom and Reefing Details.....	45
• Running Rigging Specifications.....	46
• Rig Description.....	47
• Standing Rigging Layout.....	48
• Spreader Details.....	49
• Standing Rigging Specifications.....	50
• Standing Rigging Attachments.....	51
• Rig Tuning Instructions.....	52-53
• Spinnaker Details.....	54
• Engine Compartment Details.....	55
• Shaft and Propeller.....	56
 <i>SYSTEMS AND CIRCUITS</i>	 <i>PAGE</i>
• Potable Water System.....	57
• Waste System.....	58
• Bilge Pumping System.....	59
• Through Hulls, Seacocks, and Valves.....	60
• Fuel System.....	61
• Propane System.....	62
• <b>Electrical System</b> <b>(See Electrical System Table Of Contents)</b> .....	63A-1
• Steering System.....	66-68
• Anchoring Arrangement.....	69
• Index.....	70



# Welcome to **THE HUNTER MARINE FAMILY**

---

Congratulations on your new sailing yacht manufactured by Hunter Marine. We have engineered and constructed your boat to be as fine a yacht as any afloat. In order to get the best performance and most enjoyment from your boat you should be familiar with its various elements and their functions. For your sailing pleasure and safety, please take time to study this manual.

We stand behind the quality of your boat with a warranty, which you should review. To insure the validity of your warranty, please complete the attached card and send it to us within ten (10) days of the purchase date. Section 15 of the U.S. Federal Boat Safety Act requires registration of a boat's first owner. The warranty data should also be recorded in the space below for your own reference.

This manual has been compiled to help you operate your craft with safety and pleasure. It contains details of the

craft; equipment supplied or fitted, systems, and information on operation and maintenance. Please read it carefully, and familiarize yourself with the craft before using it. If this is your first sailboat or you are changing to a type of craft you are not familiar with, please ensure that you obtain proper handling and operating experience before you assume command of the craft. Your dealer or national sailing federation or yacht club will be pleased to advise you of local sea schools or competent instructors.

**PLEASE KEEP THIS MANUAL IN A SAFE PLACE AND HAND IT OVER TO THE NEW OWNER IF YOU SELL THE CRAFT.**

You should also complete the warranty cards for your engine, stove, head, electric water pump and other accessories. These are enclosed in the manufacturers' manuals that are packaged with your owner's manual.

---

## **OWNER INFORMATION CARD**

HULL IDENTIFICATION NUMBER IS ON THE STARBOARD AFT SIDE OF THE HULL OR TRANSOM.  
THIS NUMBER MUST BE GIVEN IN ALL NECESSARY CORRESPONDENCE.

*HULL NO.* \_\_\_\_\_ *DATE DELIVERED TO OWNER* \_\_\_\_\_

*YACHT NAME* \_\_\_\_\_

*OWNER NAME* \_\_\_\_\_

*STREET ADDRESS* \_\_\_\_\_

*CITY* \_\_\_\_\_ *STATE/COUNTRY* \_\_\_\_\_ *ZIP CODE* \_\_\_\_\_

*HOME PORT* \_\_\_\_\_

*ENGINE MODEL* \_\_\_\_\_ *SERIAL NO.* \_\_\_\_\_ *PROPELLER SIZE* \_\_\_\_\_

*DEALER* \_\_\_\_\_ *PHONE* \_\_\_\_\_

*STREET ADDRESS* \_\_\_\_\_

*CITY* \_\_\_\_\_ *STATE/COUNTRY* \_\_\_\_\_ *ZIP CODE* \_\_\_\_\_

**CUSTOMER SERVICE / WARRANTY**

The following warranties apply to all 2004 Model Year boats produced by HUNTER MARINE CORPORATION:

**LIMITED ONE-YEAR WARRANTY**

Hunter Marine warrants to the first-use purchaser and any subsequent owner during the warranty period that any part manufactured by Hunter will be free of defects caused by faulty workmanship or materials for a period of twelve (12) months from the date of delivery to the first-use purchaser under normal use and service. During this period, Hunter will repair or replace any part judged to be defective by Hunter, after it is reviewed by the selling dealership.

**LIMITED FIVE-YEAR HULL STRUCTURE AND BOTTOM BLISTER WARRANTY**

Hunter warrants to the first-use purchaser and any subsequent owner during the warranty period that the hull of each boat will be free from structural defects in materials and workmanship for a period of five (5) years from the date of delivery to the first-use purchaser under normal use and service.

This limited warranty applies only to the structural integrity of the hull and the supporting pan/grid or stringer system. Hulls, pan/grid or stringers modified in any way or powered with engines other than the type and size installed or specified by Hunter are not covered by this limited warranty. The obligation of Hunter under this limited warranty is limited to the repair or replacement of hulls that it determines to be structurally defective. This is your sole and exclusive remedy.

Hunter also warrants to the first-use purchaser and any subsequent owner during the warranty period that the boat will be free from gel-coat blistering on underwater surfaces of the hull, excluding the keel and rudder, for a period of five (5) years from the date of delivery to the first-use purchaser under normal use and service. During this period, Hunter will supply or reimburse an authorized Hunter dealer for all of the parts and labor required to repair a blistered underwater surface of the hull. The labor cost reimbursement will be based on the Labor Allowance Schedule established by Hunter from time to time, however if the repair is performed by a non-Hunter dealer, the repair cost must be authorized by Hunter in advance and be based on a reasonable number of hours as determined by Hunter. Hunter will not pay transportation, hauling, launching, bottom paint, storage, dockage, cradling rental, rigging and derigging, or other similar costs. It is recommended that the repair be done during a seasonal haul out for service or storage.

The following circumstances will void the bottom blister limited warranty:

- (1) If the gel-coat has been sanded, sandblasted, or subjected to abrasion or impact.
- (2) If the instructions provided in the Hunter Owner's Manual are not followed according to Hunter's required bottom preparation procedures.

RESTRICTIONS APPLICABLE TO WARRANTIES

These limited warranties **do not cover:**

- (1.) Paint, window glass, Gelcoat, upholstery damage, plastic finishes, engines, engine parts, bilge pumps, stoves, blowers, pressure water pumps, propellers, shafts, rudders, controls, instruments, keels and equipment not manufactured by HUNTER. Any warranty made by the manufacturer of such items will be, if possible, given on to the first use purchaser.
- (2.) Problems caused by improper maintenance, storage, cradling, blocking, normal wear and tear, misuse, neglect, accident, corrosion, electrolysis or improper operation.
- (3.) Boats used for commercial activities including charter.

THESE LIMITED WARRANTIES ARE YOUR SOLE AND EXCLUSIVE REMEDIES AND ARE EXPRESSLY IN LIEU OF ANY AND ALL OTHER REMEDIES AND WARRANTIES EXPRESSED AND IMPLIED, INCLUDING THE WARRANTIES OF MERCHANTABILITY AND FITNESS FOR A PARTICULAR PURPOSE, WHETHER ARISING BY LAW, CUSTOM, CONDUCT, OR USAGE OF TRADE. SOME STATES DO NOT ALLOW LIMITATIONS ON HOW LONG AN IMPLIED WARRANTY LASTS, SO THE ABOVE LIMITATION MAY NOT APPLY TO YOU. IN THE EVENT THAT IMPLIED WARRANTIES ARE FOUND TO EXIST UNDER THE LAW OF A PARTICULAR STATE, NOTWITHSTANDING THE EXCLUSION CONTAINED HERIN, THE DURATION OF ANY SUCH IMPLIED WARRANTY SHALL BE LIMITED TO THE DURATION OF THE APPLICABLE LIMITED WARRANTY STATED HEREIN. THE PURCHASER ACKNOWLEDGES THAT NO OTHER REPRESENTATIONS WERE MADE TO HIM OR HER WITH RESPECT TO THE QUALITY OR FUNCTION OF THE BOAT. ANY ORAL STATEMENT OR PRINTED MATERIAL ADVERTISING THE BOAT WHICH SPEAKS TO ANY PERFORMANCE CHARACTERISTIC OF THE BOAT OR ANY OF ITS COMPONENTS SHALL BE CONSIDERED AND CONSTRUED AS AN ESTIMATED DESCRIPTION ONLY AND SHOULD NOT BE RELIED UPON AS AN EXPRESS WARRANTY OR AS THE BASIS OF THE BARGAIN FOR THE BOAT OR ANY OF ITS COMPONENTS.

ANY CONSEQUENTIAL, INDIRECT OR INCIDENTAL DAMAGES WHICH MAY BE INCURRED ARE EXCLUDED AND PURCHASER'S REMEDY IS LIMITED TO REPAIRS OR REPLACEMENT OF ANY PART(S) JUDGED DEFECTIVE BY HUNTER MARINE. SOME STATES DO NOT ALLOW THE EXCLUSION OR LIMITATION OF INCIDENTAL OR CONSEQUENTIAL OR INDIRECT DAMAGES, SO THE ABOVE LIMITATION OR EXCLUSION MAY NOT APPLY TO YOU. THIS WARRANTY GIVES YOU SPECIFIC LEGAL RIGHTS, AND YOU MAY ALSO HAVE OTHER RIGHTS WHICH VARY FROM STATE TO STATE.

### WARRANTY REGISTRATION

These limited warranties shall not be effective unless the HUNTER Warranty Registration Form and Pre-Delivery Service Record, which are furnished with each new boat, are filled out completely and returned to HUNTER within ten (10) days of delivery.

Return of the Warranty Registration Form to HUNTER, signed by both Dealer and Owner, is critical. Warranty coverage cannot be initiated until the completed form is received at HUNTER.

All repairs and/or replacements will be made by an authorized Hunter dealer, or at the option of Hunter, at the Hunter plant. If the repairs are of such a nature that the warranty work must be performed at the HUNTER plant, transportation costs to and from the HUNTER plant shall be paid by the owner. The labor cost reimbursement will be based on a Labor Allowance Schedule established by HUNTER and where not applicable, on a reasonable number of hours as determined by HUNTER. Any repairs and replacements must be approved in advance by an authorized HUNTER service representative.

### TRANSFER OF LIMITED WARRANTIES

For 1995 and later hull numbers, the limited warranties will be transferred to a subsequent purchaser of the boat if:

(1) A notice of the transfer of ownership of the boat is given by the subsequent purchaser in writing to Hunter within thirty (30) days of the transfer.

(2) The notice shall include the name, address and telephone number of the subsequent purchaser, the date of purchase, the hull number and the name of the seller of the boat.

Hunter will mail to the subsequent purchaser notice of the expiration dates of the limited warranties. (see form letter, attached) The transfer of the ownership of the boat will not extend the expiration dates of the limited warranties.

### CUSTOMER SATISFACTION SURVEYS

During the first year of ownership, the first purchaser will receive two Customer Satisfaction Surveys - the first (CSS#1) will be received shortly after taking delivery and focuses on the dealer's ability to sell and commission the boat, and the Owner's initial satisfaction. The second survey (CSS#2), nine to ten months into ownership, "measures" dealer service capability and allows the owner to evaluate most of the boat's functional systems and characteristics. Both surveys are dependent upon receipt of the first purchaser's Warranty Registration Form.

**SAMPLE FORM LETTER**

March 12, 1997

Mr. John Smith  
1456 Joy Street  
Sarasota, FL 34266

Dear Mr. Smith,

Thank you for providing written notice of transfer of ownership. We are pleased you have selected a Hunter sailboat and we will make every effort to assure Hunter ownership will be a satisfying experience for you.

Based on the information you have provided, we are pleased to notify you of the expiration dates of the limited warranties.

- The limited **one-year** New Boat warranty expires (d)\_\_\_\_\_.
- The limited **five-year** Hull Structure and Bottom Blister warranty expires (d)\_\_\_\_\_.

\_\_\_\_\_.

Should you require assistance at any time during ownership, we encourage you to contact your Hunter dealer or to call us directly at 386-462-3077.

Please confirm the information at the bottom of the page and advise us if any corrections are required.

\_\_\_\_\_  
Customer Service Manager

-----  
Hull No: HUN\_\_\_\_\_ Model:\_\_\_\_\_

Telephone: (H)\_\_\_\_\_ (B)\_\_\_\_\_

Date of Purchase:\_\_\_\_\_

Purchased From: Name:\_\_\_\_\_

Address:\_\_\_\_\_

City/State\_\_\_\_\_ Zip\_\_\_\_\_

( ) Private Owner

( ) Dealer



## Warranty Procedure

Following is a detailed outline of the Hunter Warranty Policy. Please read it carefully. The major points are:

- Always refer to the hull number
- Phone or fax us for authorization on warranty work over a \$200 USD estimate.
- Send in the warranty claim within thirty (30) days of the repair.

1) All customer warranty problems must be handled through the selling dealer.

- a) Boats must be returned to the selling dealer.
- b) Dealer will contact Hunter Marine and give a brief description of the problem and an estimate of time and cost to correct problem (include complete hull #).
- c) All warranty involving associated equipment--engines, bilge pumps, stoves, pressure water pumps, instrument panels, etc.-- will be handled direct with the manufacturer of said equipment on an exchange basis.

2) For any problem that the dealer cannot correct, the dealer will contact Hunter Marine who will take corrective measures immediately. The repairs may be of such a nature that the customer will have to return the boat to manufacturer at his cost.

3) Hunter Marine will not pay for warranty items that should have been covered in a Pre-Delivery Service check. (See Pre-Delivery Service Check Record.)

4) Hunter Marine will not be responsible for inconveniences, or for losses incurred as a result of defect. Hunter Marine will take measures to correct only the defect.

5) Hunter Marine will apply a base labor rate of \$38.00 per hour for warranty repairs, providing all documentation on sold boats has been submitted to Hunter Marine. If you or your employee(s) have attended the recent Hunter Service Training Program and received a Certificate of Training and all documentation has been submitted, the labor rate will be \$54.00 per hour on boats your dealership has sold (\$60.00 per hour if a boat your dealership DID NOT sell). Hunter Marine will allow \$5.00 per foot to haul-out, if necessary and approved.

6) Hunter will not assume any responsibility or liability for parts replaced or any work done by others, without written authorization from Hunter.

7) Photographs are required on all fiberglass warranty work.

8) Warranty work under \$200.00 can be done without prior authorization. Any work estimates at more than \$200.00 must have prior approval and receive an authorization number for our records.

9) Warranty claims must be sent in duplicate and must contain the **complete** hull number and a brief description of work performed. Labor, parts, materials, and haul-outs must be listed separately. Claims for warranty must be sent to Hunter Marine not more than thirty (30) days after completion of work, or they may not be honored.

## HUNTER MARINE'S OWNER AND FOUNDER

# WARREN R. LUHRS

### BRIEF BACKGROUND

---

Warren Luhrs was born in East Orange, New Jersey in 1944 into a family with an established tradition in the maritime and transportation industries. His great-grandfather, Henry, was a railroad and clipper-shipping pioneer in America, while his great-uncle John helped build the famous St. Petersburg to Moscow railroad for Czar Alexander II.

Henry Luhrs owned shares in twenty-two different ocean-going vessels – barks, brigs, and schooners - and was the principal owner of the bark *Sophia R. Luhrs*, named for his wife. He was also a partner with Albert Sprout, who managed the shipyard where the *Sophia R. Luhrs* was built in Melbridge, Maine.

Warren Luhrs' father Henry worked at a small boat manufacturer in Morgan, New Jersey, and later started his own company, continuing the Luhrs' family sea tradition during the great depression. During World War II he repaired boats and installed ice sheathing on their bows for the Coast Guard.

After the War, Henry built 27-foot fishing boats and in 1948 began to construct custom-built pleasure craft. He then turned to skiffs and in 1952 incorporated as Henry Luhrs Sea Skiffs, where he constructed lapstrake sea skiffs using assembly-line techniques. Henry personally "shook down" his prototypes on family trips up the Hudson River to Lake Champlain.

The sea skiff is a class of boat that has been very popular, owing to its seaworthiness. It features a sharp bow, which reduces pounding in surf or

choppy seas, and a hull whose forward section is rounded below the waterline to increase stability in rough water or a following sea. Such skiffs can either be smooth sided or of a lapstrake construction.

Inspired by Henry Ford, Henry Luhrs' aimed to give the average man the opportunity to enjoy the luxury of boating by building an affordable and reliable boat. He was both designer and engineer, and his progressive new models exhibited his talent for innovation. He successfully changed the line of the bow from straight to curved at a time when the industry trend was a straight square effect, and he is believed to be the first designer-builder to popularize a small boat with a fly bridge.

In 1960, Luhrs acquired the Ulrichsen Boat Company of Marlboro, New Jersey. It was here that Luhrs' Alura fiberglass division was located. In 1965, Henry sold his company to Bangor Arrostook Railroad, which was to become the recreational conglomerate Bangor-Punta. It was also during this period that Silverton of Tom's River, New Jersey was purchased by John and Warren Luhrs.

Today, Warren R. Luhrs and his brother John own the Luhrs Group of marine manufacturers, which consists of Silverton Marine, Mainship Motor Yachts, and Luhrs Fishing Boats with its Alura division, as well as Hunter Marine, which exclusively manufactures sailboats.

In January of 1996, the Luhrs family transferred a portion of the Luhrs Group to its employees through an ESOP program.

# GLOSSARY OF SAILING TERMS

---

## A

**Aback:** describes a sail when the wind strikes it on the lee side.

**Abaft:** towards the boat's stern.

**Abeam:** at right angles to the *centerline* of the boat.

**Aft:** at or near the stern.

**Amidships:** the center of the boat, *athwartships* and fore and aft.

**Anti-fouling:** a poisonous paint compound used to protect the underwater part of a hull from marine growths.

**Apparent wind:** The direction and speed of the wind felt by the crew. It is a combination of *true wind* and that created by the movement of the boat.

**Astern:** behind the boat; to go astern is to drive the boat in reverse.

**Athwartships:** at right angles to the fore and aft line of the boat.

## B

**Back:** when a wind backs, it shifts anticlockwise.

**Back a sail:** to sheet it to windward so that the wind fills on the side that is normally to *leeward*.

**Backstay:** a stay that supports the mast from aft and prevents its forward movement.

**Ballast:** extra weight, usually lead or iron, placed low in the boat or externally on the keel to provide stability.

**Ballast keel:** a mass of ballast bolted to the keel to increase stability and prevent a keel boat from capsizing.

**Batten:** a light, flexible strip fed into a batten pocket at the *leech* of the sail to support the *roach*.

**Beam:** 1, the maximum breadth of a boat; 2, a transverse member that supports the deck; 3, on the beam means that an object is at right angles to the centerline.

**Bear away:** to steer the boat away from the wind.

**Bearing:** the direction of an object from an observer, measured in degrees true or magnetic.

**Beat:** to sail a *zigzag course* towards the wind, *close-hauled* on alternate *tacks*.

**Delay:** to make fast a rope around a *cleat*, usually with a figure-of-eight knot.

**Bend:** 1, to secure a sail to a spar before hoisting; 2, to moor a boat; 3, a sleeping place on board.

**Bight:** a *bend* or loop in a rope.

**Bilge:** the lower, round part inside the hull where the water collects.

**Block:** a pulley in a wooden or plastic case, consisting of a *sheave* around which a rope runs. It is used to change the direction of pull.

**Boot-topping:** a narrow colored stripe painted between the bottom paint and the *topside* enamel.

**Bottlescrew:** see Rigging screw.

**Broach:** when a boat *running* downwind slews broadside to the wind and *heels* dangerously. It is caused by heavy following seas or helmsman's error.

**Broad reach:** the point of sailing between a beam *reach* and a *run*, when the wind blows over a quarter.

**Bulkhead:** a partition wall in a boat normally fitted *athwartships*

## C

**Caulk:** to make the seams between wooden planks watertight by filling with cotton, oakum or a compound.

**Cavitation:** the formation of a vacuum around a propeller, causing a loss in efficiency.

**Center-board:** a board lowered through a slot in the *keel* to reduce *leeway*.

**Center-line:** center of the boat in a fore and aft line.

**Center of effort (COE):** the point at which all the forces acting on the sails are concentrated.

**Center of lateral resistance (CLR):** the underwater center of pressure about which a boat pivots when changing *course*.

**Chain pawl:** a short lug which drops into a toothed rack to prevent the anchor chain running back.

**Chain plate:** a metal plate bolted to the boat to which the *shrouds* or *backstays* are attached.

**Chart datum:** reference level on a chart below which the tide is unlikely to fall. Soundings are given below chart datum. The datum level varies according to country and area.

**Chine:** the line where the bottom of the hull meets the side at an angle.

**Cleat:** a wooden, metal or plastic fitting around which rope is secured.

**Clevis pin:** a locking pin through which a split ring is passed to prevent accidental withdraw.

**Clew:** the after, lower center of a sail where the foot and *leech* meet.

**Close-hauled:** the *point of sailing* closest to the wind; see also *beat*.

**Close reach:** the *point of sailing* between *close-hauled* and a beam reach, when the wind blows forward of the *beam*.

**Close-winded:** describes a boat able to sail very close to the wind.

**Coaming:** the raised structure surrounding a hatch, cockpit, etc., which prevents water entering.

**Cotter pin:** soft, metal pin folded back on itself to form an eye.

**Course:** the direction in which a vessel is steered, usually given in degrees; true, magnetic or compass.

**Cringle:** 1, a rope loop, found at either end of a line of reef points; 2, an eye in a sail.

## D

**Dead run:** running with the wind blowing exactly aft, in line with the *centerline*.

**Deviation:** the difference between the direction indicated by the compass needle and the magnetic *meridian*; caused by object aboard.

**Displacement:** 1, the weight of water displaced by a boat is equal to the weight of the boat; 2, a displacement hull is one that displaces its own weight in water and is only supported by buoyancy, as opposed to a planing hull which can exceed its hull, or displacement, speed.

**Downhaul:** a rope fitted to pull down a sail or spar.

**Draft:** the vertical distance from the waterline to the lowest point of the keel.

**Drag:** 1, an anchor drags when it fails to hold; 2, the force of wind on the sails, or water on the hull, which impedes the boat's progress.

**Drift:** 1, to float with the current or wind; 2, US the speed of a current

# GLOSSARY OF SAILING TERMS

---

(rate UK); 3, UK: the distance a boat is carried by a current in a given time.

**Drogue:** a sea anchor put over the stern of a boat or life raft to retard *drift*.

**Drop keel:** a retractable *keel* which can be drawn into the hull, when entering shallow waters and recovering on to a trailer.

## E

**Eye of the wind:** direction from which the true wind blows.

## F

**Fair:** well-faired line or surface is smoother with no bumps, hollows or abrupt changes in directions.

**Fairlead:** a fitting through which a line is run to alter the lead of the line.

**Fathom:** the measurement used for depths of water and lengths of rope. 1 fathom = 6 ft. or 1.83m.

**Fid:** a tapered tool used for *splicing* heavy rope and for sail-making, often hollow.

**Fiddle:** a raised border for a cabin table, chart table etc., to prevent objects falling off when the boat *heels*.

**Fix:** the position of the vessel as plotted from two or more position lines.

**Forestay:** the foremost stay, running from the masthead to the stemhead, to which the headsail is hanked.

**Freeboard:** vertical distance between the *waterline* and the top of the deck.

## G

**Genoa:** a large headsail, in various sizes, which overlaps the mainsail and is hoisted in light to fresh winds on all points of *sailing*.

**Gimbals:** two concentric rings, pivoted at right angles, which keeps objects horizontal despite the boat's motion, e. g. compass and cooker.

**Go about:** to turn the boat through the *eye of the wind* to change tack.

**Gooseneck:** the fitting attaching the boom to the mast, allowing it to move in all directions.

**Goosewing:** to boom-out the headsail to windward on a run by using a *whisker pole* to hold the sail on the opposite side to the mainsail.

**Ground tackle:** general term used for anchoring gear.

**Guard rail:** a metal rail fitted around the boat to prevent the crew falling overboard.

**Gudgeon:** a rudder fitting. It is the eye into which the *pintle* fits.

**Guy:** a steadying rope for a spar; a spinnaker guy controls the fore and aft position of the spinnaker pole; the foreguy holds the spinnaker pole forward and down.

**Gybe:** to change from one *tack* to another by turning the stern through the wind.

## H

**Halyard:** rope used to hoist and lower sails.

**Hank:** fitting used to attach the *luff* of a sail to a stay.

**Hatch:** an opening in the deck giving access to the interior.

**Hawes pipe:** see *Navel pipe*.

**Head-topwind:** when the bows are pointing right into the wind.

**Headfoil:** a streamlined surround to a *forestay*, with a groove into which a headsail *luff* slides.

**Heads:** the toilet.

**Headway:** the forward movement of a boat through the water.

**Heave-to:** to *back* the jib and lash the tiller to *leeward*; used in heavy weather to encourage the boat to lie quietly and to reduce *headway*.

**Heaving line:** a light line suitable for throwing ashore.

**Heel:** to lean over to one side.

## I

**Isobars:** lines on a weather map joining places of equal atmospheric pressure.

## J

**Jackstay:** a line running fore and aft, on both sides of the boat, to which safety harnesses are clipped.

**Jury:** a temporary device to replace lost or damaged gear.

## K

**Keel:** the main backbone of the boat to which a *ballast keel* is bolted or through which the *centerboard* passes.

**Kicking strap:** a line used to pull the boom down, to keep it horizontal, particularly on a reach or run.

## L

**Lanyard:** a short line attached to one object, such as a knife, with which it is secured to another.

**Leech:** 1, the after edge of a triangle sail; 2, both side edges of a square sail.

**Leehelm:** the tendency of a boat to bear away from the wind.

**Lee shore:** a shore on to which the wind blows.

**Leeward:** away from the wind; the direction to which the wind blows.

**Leeway:** the sideways movement of a boat off its *course* as a result of the wind blowing on one side of the sails.

**Lifeline:** a wire or rope rigged around the deck to prevent the crew falling overboard.

**Limber holes:** gaps left at the lower end of frames above the *keel* to allow water to drain to the lowest point of the *bilges*.

**List:** a boat's more or less permanent lean to one side, owing to the improper distribution of weight, e.g., *ballast* or water.

**Log:** 1, an instrument for measuring a boat's speed and distance traveled through the water; 2, to record in a book the details of a voyage, usually distances covered and weather.

**Luff:** the forward edge of a sail. To luff up is to turn a boat's head right into the wind.

**Luff groove:** a groove in a wooden or metal spar into which the *luff* of a headsail is fed.

**Lurch:** the sudden roll of a boat.

## M

**Marlin spike:** a pointed steel or wooden spike used to open up the strands of rope or wire then splicing.

**Mast Step:** the socket in which the base of the mast is located.

**Measured mile:** a distance of one nautical mile measured between buoys or *transits/ranges* ashore, and marked on the chart.

# GLOSSARY OF SAILING TERMS

**Member:** a part of the skeleton of the hull, such as a *stringer* laminated into fiberglass hull to strengthen it.

**Meridian:** an imaginary line encircling the Earth that passes through the poles and cuts at right angles through the Equator. All lines of longitude are meridians.

**Mizzen:** 1, the shorter, after-mast on a *ketch* or *yawl*; 2, the fore and aft sail set on this mast.

## N

**Navel pipe:** a metal pipe in the fore-deck through which the anchor chain passes to the locker below.

**Noon Sight:** a vessel's latitude can be found, using a sextant, when a heavenly body on the observer's *meridian* is at its greatest altitude. The sight of the sun at noon is the one most frequently taken.

## O

**Off the wind:** with the sheets slacked off, not *close-hauled*.

**On the wind:** *close-hauled*.

**Out haul:** a rope used to pull out the foot of a sail.

**Overall length (LOA):** the boat's extreme length, measured from the foremost part of the bow to the aftermost part of the stern, excluding bowsprit, self-steering gear etc.

## P

**Painter:** the bow line by which a dinghy, or *tender*, is towed or made fast.

**Pintle:** a rudder fitting with a long pin that fits into the *gudgeon* to form a hinged pivot for the rudder.

**Pitch:** 1, the up and down motion of the bows of a boat plunging over the waves; 2, the angle of the propeller blades.

**Point of sailing:** the different angles from which a boat may sail; the boat's *course* relative to the direction of the wind.

**Port:** the left-hand side of the boat, looking forward (opp. of *starboard*).

**Port tack:** a boat is on a port tack when the wind strikes the port side first and the mainsail is out to *starboard*. A boat on the port tack gives way to a boat on a starboard tack.

**Position line/ Line of position:** a line drawn on a chart, as a result of taking a bearing, along which the boat's position must be i.e. Two position lines give a fix.

**Pulpit:** a metal *guard rail* fitted at the bows of a boat to provide safety for the crew.

**Pushpit:** a metal *guard rail* fitted at the stern.

## Q

**Quarter:** the portion of the boat midway between the stern and the beam; on the quarter means about 45 degrees *abaft* the beam.

## R

**Rake:** the fore and aft deviation from the perpendicular of a mast or other feature of a boat.

**Range:** 1, see *transit*; 2, of tides, the difference between the high and low water levels of a tide; 3, the distance at which a light can be seen.

**Rating:** a method of measuring certain dimensions of a yacht to enable it to take part in handicap races.

**Reach:** to sail with the wind approximately on the *beam*; all sailing points between running and *close-hauled*.

**Reef:** to reduce the sail area by folding or rolling surplus material on the boom or *forestay*.

**Reefing pennant:** strong line with which the *luff* or leech *cringle* is pulled down to the *boom* when reefing.

**Rhumb line:** a line cutting all *meridians* at the same angle; the *course* followed by a boat sailing in a fixed direction.

**Riding light to anchor light:** an all-around white light, usually hoisted on the *forestay*, to show that a boat under 50 ft. (15m.) is at anchor. It must be visible for 2 mls. (3 km.).

**Rigging screw:** a deck fitting with which the tensions of standing rigging, e.g. stays, shrouds, etc. are adjusted.

**Roach:** the curved part of the *leech* of a sail that extends beyond the direct line from head to *clew*.

**Run:** to run with the wind *aft* and with the *sheets* eased well out.

**Running rigging:** all the moving lines, such as *sheets* and *halyards*,

used in the *setting* and *trimming* of sails.

## S

**Scope:** the length of rope or cable paid out when mooring or anchoring.

**Scuppers:** 1, holes in the toe rail that allow water to drain off the deck; 2, drain cockpit through hull.

**Seacock:** a valve that shuts off an underwater inlet or outlet passing through the hull.

**Seize:** to bind two ropes together, or a rope to a *spar*, with a light line.

**Serve:** to cover and protect a *splice* or part of a rope with twine bound tightly against the lay.

**Serving mallet:** tool with a grooved head, used when serving a rope to keep the twine at a constant and high tension.

**Set:** 1, to hoist a sail; 2, the way in which the sails fit; 3, the direction of tidal current or steam.

**Shackle:** a metal link with a removable bolt across the end; of various shapes: D, U.

**Sheave:** a grooved wheel in a *block* or *spar* for a rope to run on.

**Sheet:** the rope attached to the *clew* of a sail or to the boom, enabling it to be controlled or *trimmed*.

**Shrouds:** ropes or wires, usually in pairs, led from the mast to the *chain plates* at deck level to prevent the mast falling sideways; part of the standing rigging.

**Sloop:** a single-masted sailing boat with a mainsail and one head sail.

**Spar:** a general term for any wooden or metal pole, e.g., mast or boom, used to carry or give shape to sails.

**Spindrift:** spray blown along the surface of the sea.

**Spinnaker:** a large, light, balloon shaped sail set when *reaching* or *running*.

**Splice:** to join ropes or wire by unlaying the strands and interweaving them.

**Split pin:** see *cotter pin*.

**Spreaders:** horizontal struts attached to the mast, which extends to the *shrouds* and help to support the mast.

# GLOSSARY OF SAILING TERMS

---

**Stall:** a sail stalls when the airflow over it breaks up, causing the boat to lose way.

**Stanchion:** upright metal post bolted to the deck to support guardrails or lifelines.

**Standing part:** the part of a line not used when making a knot; the part of a rope that is made fast, or around which the knot is tied.

**Standing rigging:** the shrouds and stays that are permanently set up and support the mast.

**Starboard:** right-hand side of a boat looking forward (opp. of *port*).

**Starboard tack:** a boat is the starboard tack when the wind strikes the starboard side first and the boom is out to the *port*.

**Stay:** wire or rope which supports the mast in a fore and aft direction; part of the *standing rigging*.

**Steerage way:** a boat has steerage way when it has sufficient speed to allow it to be steered, or to answer the helm.

**Stem:** the timber at the bow, from the keel upward, to which the planking is attached.

**Sternway:** the backward, stern-first movement of a boat.

**Stringer:** a fore and aft member, fitted to strengthen the frames.

## T

**Tack:** 1, the lower forward corner of a sail; 2, to turn the boat through the wind so that it blows on the opposite sides of the sails.

**Tacking:** working to windward by sailing *close-hauled* on alternate *courses* so that the wind is first on one side of the boat, then on the other.

**Tack pennant:** a length of wire with an eye in each end, used to raise the tack of a headsail some distance off the deck.

**Tackle:** a purchase system comprising of rope and *blocks* that is used to gain mechanical advantage.

**Tang:** a strong metal fitting by which *standing rigging* is attached to the mast or other *spar*.

**Tender of dinghy:** a small boat used to ferry stores and people to a yacht.

**Terminal fitting:** fitting at the end of a wire rope by which a *shroud* or stay can be attached to the mast, a *tang* or a *rigging screw/turnbuckle*.

**Tide:** the vertical rise and fall of the oceans caused by the gravitational attraction of the moon.

**Toe rail:** a low strip of metal or molding running around the edge of the deck.

**Topping lift:** a line from the masthead to a spar, normally the boom, which is used to raise it.

**Topsides:** the part of a boat's hull that is above the waterline.

**Track:** 1, the course a boat has made good; 2, a fitting on the mast or boom into which the slides on a sail fit; 3, a fitting along which a traveller runs, used to alter the angle of the sheets.

**Transit:** two fixed objects are in transit when seen in line; two transit give position fix.

**Traveller:** 1, a ring or hoop that can be hauled along a *spar*; 2, a fitting that slides in a *track* and is used to alter the angle of the *sheets*.

**Trim:** 1, to adjust the angle of the sails, by means of *sheets*, so that they work most efficiently; 2, to adjust the boat's load, and thus the fore and aft angle at which it floats.

**True wind:** the direction and speed of the wind felt when stationary, at anchor or on land.

**Turnbuckle:** see *Rigging screw*.

## U

**Under way:** a boat is under way when it is not made fast to shore, at anchor or aground.

**Uphaul:** a line used to raise something vertically, e.g., the spinnaker pole.

## V

**Veer:** 1, the wind veers when it shifts in clockwise direction; 2, to pay out anchor cable or rope in a gradual, controlled way.

## W

**Wake:** the disturbed water left *astern* of a boat.

**Waterline:** the line along the hull at which a boat floats.

**Waterline length (WL):** the length of a boat from *stem* to *stern* at the *waterline*. It governs the maximum speed of *displacement hull* and effects a boat's *rating*.

**Weather helm:** (opp. of *lee helm*).

**Weather side:** the side of a boat on which the wind is blowing.

**Wetted surface:** the area of the hull under water.

**Whisker pole:** a light pole used to hold out the *clew* of a headsail when *running*.

**Winch:** a mechanical device, consisting usually of a metal drum turned by a handle, around which a line is wound to give the crew more purchasing power when hauling taut a line, e.g. a *jib sheet*.

**Windage:** those parts of a boat that increase *drag*, e.g., rigging, spars, crew, etc.

**Windlass:** a *winch* with a horizontal shaft and a vertical handle, used to haul up the anchor chain.

**Windward:** the direction from which the wind blows; towards the wind (opp. of *leeward*).

## Y

**Yawl:** a two masted boat with a mizzen stepped aft of the rudder stock/post.

## EXPLANATION OF SAFETY PRECAUTIONS

This manual contains safety precautions that must be observed when operating or servicing your boat.

Review and understand these instructions.

### **DANGER**

Denotes an extreme intrinsic hazard exists which would result in high probability of death or irreparable injury if proper precautions are not taken

### **WARNING**

Denotes a hazard exists which can result in injury or death if proper precautions are not taken

### **CAUTION**

Denotes a reminder of safety practices or directs attention to unsafe practices which could result in personal injury or damage to the craft or components

## SAFE BOATING TIPS

### BE PREPARED

Take a safe boating course. In the U.S., contact your local Boating Industry for details.

Carry all safety equipment required by the laws that apply to your area. Requirements are generally available from the Coast Guard or your local boating industry.

### **WARNING**

**As the owner of the craft, obtaining and maintaining necessary safety equipment is your responsibility. For more information about equipment required, contact local boating authorities**

# SAFE BOATING TIPS


## MINIMUM RECOMMENDED SAFETY EQUIPMENT

- Required life saving equipment, including life vests and throwables
- Required fire extinguishing equipment
- First Aid kit
- Emergency Position Indicating Radio Beacon (EPIRB)
- Manual bailing device
- Anchor with sufficient line and/or chain
- Flashlight with good batteries
- Binoculars
- VHF radio
- Appropriate navigational charts
- Flares
- Fog bell
- Noise emitting device
- Radar reflector
- Sufficient food and water provisions
- Auxiliary starting battery
- Spare fuses and bulbs
- Sunglasses and block
- Blanket

The legally required on-board safety equipment may vary by region or body of water. Please check with local authorities prior to departure for a safety examination.

## LIFE JACKETS

A life jacket may save your life, but only if you wear it. Keep jackets in a readily accessible place – not in a closed compartment or stored under other gear. Remove them from any packaging, and keep throwable floatation devices ready for immediate use.

 <b>WARNING</b>
It is very important that children, handicapped people, and non-swimmers wear lifejackets at all times. Make sure all passengers are properly instructed in use of life saving gear

## FIRE EXTINGUISHERS

Approved fire extinguishers are required on most boats, local authorities can provide details. All passengers should know the location and operating procedure of each fire extinguisher. Fire extinguishers are normally classified according to fire type. Be familiar with the type of fire extinguishers you have on board.

**Some boats have been equipped with an Automatic Fire Extinguisher).** In the event of a fire in your engine compartment, this unit will automatically discharge. Please read your SEA-FIRE manual for operating instructions, maintenance and precautionary information.

## BACKUP RUDDER SYSTEM

Rudder failure or loss is something Boat Operators MUST be prepared for. Hunter Marine has a backup rudder system that can be purchased for our current models 38 feet and up. Other commercial suppliers offer similar systems at differing benefits and costs and you should conduct your own analysis to determine which alternative is best for you.

Because the Backup Rudder System may also be lost, Boat Operators MUST be able to sail without rudder or otherwise be prepared to assemble a makeshift rudder.



# SAFE BOATING TIPS


## FLARES

Most boats operating on coastal waters are required to carry approved visual distress signals, therefore check with your local authorities as to which types are required.

 <b>WARNING</b>
FIRE/EXPLOSION HAZARD; Pyrotechnic signaling devices can cause injury and property damage if not handled properly. Follow manufacturer's directions regarding the proper use of signaling devices.

## DRUGS AND BOATING

Consumption of alcohol while boating is not recommended. The combination of noise, sun, wind, and motion act to produce fatigue on the water, and can exaggerate the effects of alcohol.


 <b>WARNING</b>
IMPAIRED OPERATION HAZARD Operating any boat while is intoxicated or under the influence of drugs is both dangerous and illegal. Impaired vision or judgment on the water can lead to accidents and personal injury

## BEFORE GETTING UNDERWAY

- Leave a float plan (example on p. 13)
- Perform a pre-departure checklist (example on p. 12)
- Check the weather. Do not venture out if the weather is, or will be, threatening.

## WHILE UNDERWAY

- Keep a good lookout. Keep a watch to the leeward under the headsail. Keep away from swimmers, divers, and skiers.
- Know and obey local boating laws.
- Respect bad weather, and be prepared for quickly changing conditions.

 <b>WARNING</b>
COLLISION HAZARD Use extra caution in shallow water or where underwater/floating objects may be present. Hitting an object at speed or severe angle can seriously injure people and damage your boat

## PRE-DEPARTURE CHECKLIST

- Check bilge for extra water
- Check weather conditions and tides
- Check food supply
- Foul weather gear
- Linen, sleeping bags
- Fuel
- Water
- Sunscreens and sunglasses
- Tools
- Docking and anchor gear
- Check radio operations
- Navigation charts and instruments
- Float plans to a friend or Coast Guard** (*see next page*)
- Fuel for stove
- Cooking and eating utensils
- Check battery water level
- Oil level, tight Vp-belts
- Check for loose electrical connections in engine compartment
- Secure tools or any loose equipment in engine compartment so as not to get fouled in engine
- AC systems off; electrical cord stowed
- Doors and drawers secured
- Check steering lock to lock
- Check mast for rigging irregularities and tightness
- Halyards and sheets are clear and ready to run
- No lines or other obstructions near propeller or bow
- Anchor ready to run
- Check lifelines for tightness
- Turn on fuel and waterlines
- Stow all loose gear
- Open engine cooling water intake thru-hull valve

# FLOAT PLAN

## 1. Name of person reporting and telephone number:

## 2. Description of boat

NAME	TYPE	
MAKE	LENGTH	REGISTRATION#
HULL COLOR	STRIPE COLOR	DECK COLOR
OTHER DISTINGUISHING MARKS		

## 3. Number of Persons aboard

NAME	AGE	PHONE #
ADDRESS		
NAME	AGE	PHONE #
ADDRESS		
NAME	AGE	PHONE #
ADDRESS		

## 4. Engine

TYPE	H.P.	FUEL CAPACITY
------	------	---------------

## 5. Safety equipment

PFDs	<input type="checkbox"/>	Flares	<input type="checkbox"/>	Mirror	<input type="checkbox"/>	Flashlight	<input type="checkbox"/>
Food	<input type="checkbox"/>	Water	<input type="checkbox"/>	EPIRB	<input type="checkbox"/>	Raft/Dinghy	<input type="checkbox"/>

## 6. Radio

TYPE	FREQUENCIES
------	-------------

## 7. Trip Expectations

DEPARTURE TIME	DATE	FROM
DESTINATION	RETURN DATE	NO LATER THAN

## 8. Automobile:

LICENSE #	STATE	MAKE
COLOR	PARKED AT	

## 9. If not returned by-

Contact the Coast Guard or-

CALL - \_\_\_\_\_ AT- \_\_\_\_\_

# AFTER SAILING CHECKLIST

When leaving your Hunter at the dock for more than a short time, it is a good idea to review the following checklist to make sure everything is in order. This

will help protect the various parts of your boat and add considerably to their attractiveness and usable life.

- Flake or furl mainsail and cover, or remove and bag.
- Remove and stow all portable deck hardware such as snatch blocks, winch handles, etc.
- Secure the boom to the topping lifts and set it firmly amidships with the main sheet purchase. (It is also a good idea to rig a line from the steering wheel or tiller to a convenience cleat to keep the rudder from swinging back and forth with the motion of the water or employ the wheel brake if so equipped.)
- Attach the shackle ends of all halyards to convenient fittings and take up slack. Find a location leading away from the mast to keep the halyard from slapping the mast.
- Coil and stow all lines in line lockers
- Cover the winches and steering pedestal when leaving the boat for several days or more
- Close all fuel lines and seacocks
- Switch off the electrical system
- Pump out the bilge
- Check air vents, secure ports and hatches, swab the deck, and clean deck stainless, particularly if you have operated in saltwater.
- Make a final check of mooring lines, chafing gear, fenders, etc.

# SAFE BOATING TIPS

## DOCKING

Docking your boat should be handled carefully to avoid potential damage. Under normal wind and water conditions, the following considerations should be made:

1. Whenever possible, your approach should be made against the prevailing wind and current to assist in stopping the boat. Where these conditions are contrary, the strongest should be used to determine approach.
2. Approaching the dock: dock lines should be at ready, loose gear stowed and decks cleared. Determine the direction of the wind and current and when you decide which side of the boat will be against the dock, rig dock lines and

fenders on the appropriate side. One dock line should be attached to the bow cleat, another to the stern cleat opposite the side that will lie against the dock.

*NOTE: If the boat is to lie against a piling, rig a fender board across two or more pilings.*

3. Tying up: attach bow and stern lines to dock, hauling boat in with fenders against dock. Rig crossing spring lines to limit motion forward and aft. Be sure to allow some slack in all lines to compensate for tidal activity if present. Never use bow rail, stern rail, or stanchions to secure a vessel, even for brief periods. For other types of moorings, or for abnormal wind or water conditions, consult an approved boating guide.


## ANCHORING

Your Hunter comes with an on deck anchor well and a Danforth type anchor as standard equipment. The anchor is selected to suit the size and weight of your boat under normal anchoring conditions, and is most effective in muddy or sandy bottoms.

When anchoring, pay particular attention to the scope of your anchor rode (the relationship between of the water and the length of the rode). A good rule of thumb is to allow a scope of about 7:1 (a rode seven times as long as the vertical distance from the bow to the bottom). A helpful aid is to mark the rode every 20 feet or so with knots or other types of indicators. Before dropping anchor, make sure the bitter end is secured to the cleat in the anchor well. Also, be sure to consider wind direction, currents,

mean low tide depths and other local conditions when anchoring, as well as positions of any boats already anchored nearby.

To weigh anchor, motor or sail (under main only) forward slowly. When at a point directly above the anchor, a quick tug should free it from the bottom. Take care not to damage the topsides when hauling.


 <b>WARNING</b>
Anchoring in unusual water/ and or weather conditions will require additional precautions. Consult an approved guide for suggestions

# SAFE BOATING TIPS


## DIESEL ENGINE


An engine owner's manual is supplied with your boat and should be read thoroughly. It contains technical specifications, running instructions and a maintenance schedule on lubricants and fluids. For long engine life, follow routine maintenance schedules.

You should check engine oil, transmission fluid and coolant levels. Water, rust, scale and dirt will cause serious damage to the injectors on diesel engines. You should check your filters frequently and change when necessary. Check fuel line connections for proper tightness.


 <b>WARNING</b>
<b>EXPLOSION/FIRE HAZARD</b> – Fuel system connections that are to loose or to tight can leak, resulting in fuel loss, environmental pollution and explosion/fire hazard.

## FUELING YOUR DIESEL ENGINE

 <b>WARNING</b>
<b>EXPLOSION/FIRE HAZARD</b> <ul style="list-style-type: none"><li>•Store flammable material in safety-approved containers. Keep containers in a locker designed by the boat manufacturer for that purpose. Never store flammable material in a non-vented space.</li><li>•Observe “No-Smoking” while fueling.</li><li>•Run exhaust blower at least 4 minutes before starting engine. Check bilge and engine compartments for fumes.</li><li>•Keep ventilation system free of obstructions. Never modify the vent system.</li><li>•Fill less than the rated capacity of the tank. Allow for fuel expansion.</li><li>•If fuel enters bilge, do not start engine. Determine cause and severity. Contact a knowledgeable marine service to remove fuel. Do not pump overboard. Contact Coast Guard for additional advice (See Environmental Considerations Fuel &amp; Oil Spillage.)</li><li>• Inspect fuel system regularly for leaks.</li></ul>

 <b>DANGER</b>
<b>EXTREME HAZARD:</b> carbon monoxide gas (CO) is colorless, odorless and extremely dangerous. All engines and fuel burning appliances produce CO as exhaust. Direct and prolonged exposure to CO will cause BRAIN DAMAGE or DEATH. Signs of exposure to CO include nausea, dizziness and drowsiness. Refer to BOATING SAFETY for more information.

When you start your engine, run it a minimum of 15 minutes to bring it up to operating temperature. This insures that any condensation is evaporated. Your engine should “run out” at  $\frac{3}{4}$  throttle at least once a month to clean out carbon buildup and moisture.

 <b>CAUTION</b>
Follow engine manufacturer’s recommendations for types of fuel and oil. Use of improper products can damage the engine and void the warranty.

Notice: Use fresh fuel. Fuel that has been in a tank too long can form gum and varnish, which may affect performance.

Inspect diesel fuel filters regularly. Diesel fuel must be kept as clean as possible. Keep fuel tank full.

# SAFE BOATING TIPS

## STARTING YOUR DIESEL ENGINE

1. Visually check engine compartment to see that the throttle linkage, shifting controls, electrical connections and fuel lines are properly secured.
2. **Before each start** check oil in engine and transmission.
3. Insure that the engine shut-off cable is properly secured and operating.
4. Place the shift lever in the neutral position. Pull out the button beside the shift lever to disengage the shift. On single lever controls, lift the collar under the shift lever knob and move the lever forward to advance the throttle for neutral warm-up.
5. Insert the starter key and turn to the "on" position.
6. Press the starter button and hold until engine starts, then release. The buzzer and/or light should then go off. **Press the starter button no longer than 5 seconds continuously.**
7. Allow cold engine to warm up a minimum of five minutes.
8. When warm-up is completed, return the hand lever to neutral position, and push

the button back to re-engage the shift. The shift is ready for shift and throttle operation.

9. Check that the lube oil pressure warning light and the charge lamp go off. If any of the warning lamps do not go off above 1,000 rpm, the engine is malfunctioning and should be stopped immediately. Consult your nearest engine dealer.

NOTE: The H386 and below are equipped with an "engine stop" pull lever. When pulled all the way out, this will stop the engine at any time.



### CAUTION

Follow engine manufacturer's recommendations for types of fuel and oil. Use of improper products can damage the engine and void the warranty.

## MOTERING YOUR DIESEL ENGINE

Before departure, remember to unplug the shore power. When the engine is warm, but prior to releasing the dock lines, move the shift lever to forward and to reverse to insure that it is working properly. To increase RPMs, push throttle lever forward and pull back to decrease RPMs.

IMPORTANT: When sailing, it is best to start the engine before the sails are lowered. This way, it is possible to maneuver if the engine should not start.



### CAUTION

Your rigging will conduct electricity. Always check for overhead high tension wires before proceeding. Once clear, you may increase your speed in a reasonable and safe manner as desired.

## ELECTRICAL SYSTEM

Your Hunter is fitted with an electrical system designed for both AC and DC. While in port, you can operate any tool, appliance or other device designed to function on regular house current simply by plugging your dockside power cord into a convenient outlet on shore and turning your AC main breaker on.



### WARNING

ELECTROCUTION HAZARD: If polarity is reversed, DO NOT use the shore power source. Immediately turn off the power source and disconnect the shore power cord. Reversed polarity is a dangerous and potentially lethal condition that may cause shock, electrocution, or death.

# SAFE BOATING TIPS

## ELECTRICAL SYSTEM (continued)

To minimize shock hazard, connect and disconnect cable as follows:

1. Turn off the boat's shore power connection before connecting or disconnecting shore power cable.
2. Connect shore power cable at the boat first.
3. If polarity warning indicator is activated, immediately disconnect cable and have the fault corrected by a qualified electrician.
4. Disconnect shore power cable at shore outlet first.
5. Close inlet cover tightly.

**DO NOT ALTER SHORE POWER CABLE CONNECTORS.**

**Storage:** Your shore power cable set is intended for use outdoors. To prolong the life of the set, store indoors when not in use.

**General:** The metallic parts of your cable set are made to resist corrosion. In a salt-water environment, periodically wiping the exposed parts with fresh water, drying and spraying with a moisture repellent can increase life of the product. A soiled cable can be cleaned with a grease cutting household detergent. A periodic application of vinyl protector to both ends will help to maintain cables original appearance.

In case of salt water immersion, rinse plug end and/or connector end thoroughly in fresh water, shake or blow out excess water and allow to dry. Spray with moisture repellent before re-use.

### **WARNING**

Do not allow your dockside power cord to come in contact with the water. Never operate any AC power tool or other electrical equipment while you or the device are in contact with the water, as this may cause electrocution resulting in shock or death.

When leaving port, disconnect the dock-side power cord and turn the main DC breaker on. This allows you to use the ship's lights and other equipment designed to operate on direct current. Keep in mind that your DC power source is a 12-volt battery, just as with your automobile, and it must be charged regularly by operating the engine (or by running the battery charger, if you have that option installed). Unless a state of charge is maintained, there may not be enough power to operate the starter motor. Dangerous situations can result if the engine cannot be started when needed.

Make a regular visual check of batteries to insure proper water level and inspect terminals for signs of corrosion. If your boat sits for long periods without use, it is often a good idea to remove the batteries and attach them to a trickle charger to keep them fully charged and ready to use.

### **WARNING**

**EXPLOSION/FIRE HAZARD** – ensure adequate ventilation of battery to prevent buildup of gases, especially hydrogen.

### **WARNING**

#### **WHEN CHARGING THE BATTERY:**

- Battery electrolyte contains sulfuric acid. Protect your eyes, skin and clothing. In case of contact, flush thoroughly with water and get prompt medical attention, especially if your eyes are affected.
- Batteries generate hydrogen gas that can be highly explosive. Do not smoke or allow flames or sparks near a battery, especially during charging.
- Charge the battery in a fully ventilated place.



# SAFE BOATING TIPS

## ELECTRICAL SYSTEM (continued)


Hunter Marine recommends that on all boats with either/both a house and start battery, the cables be disconnected during winter storage or any time the boat is out of the water for an extended period of time. Because of the continuous electrical drain placed on the 12 volt system by certain electrical components such as stereos and CO monitors you will be preserving your batteries life expectancies.

We recommend that owners who leave their boats in the water during the sailing season charge the boats internal batteries at least once every seven days during the sailing season (we do not recommend leaving power connected to

the boat if it is unattended). Completely depleting a batteries internal charge can drastically shorten its life span. This includes gel cell and glass mat batteries.

For owners who live aboard or wish to leave their boat battery switches in the on position while unattended (again, we do not recommend this) should consider installing a N20504W Nicro Solar vent to reduce the chances of the CO monitor's sounding. Only exchanging the air inside the boat on a regular basis or leaving the battery switches in the off position totally eliminates the false sounding of the monitors while 12-volt systems are operating.

## COOKING STOVE

 <b>WARNING</b>
<b>EXPLOSION/FIRE/ASPHYXIATION HAZARD</b>
<ul style="list-style-type: none"><li>•Open flame cooking appliances consume oxygen. This can cause asphyxiation or death.</li><li>•Maintain open ventilation.</li><li>•Liquid fuel may ignite, causing severe burns.</li><li>•Use fuel appropriate for type of stove.</li><li>•Turn off stove burner before filling.</li><li>•Do not use stove for comfort heating.</li><li>•Use special care with flames or high temperatures near urethane foam. Once ignited, it burns rapidly, producing extreme heat, releasing hazardous gasses and consuming a large amount of oxygen.</li></ul>

Carefully read and understand the manufacturer's instructions prior to operating your stove. Save the instructions for review, and also to pass on to any subsequent owners.

Use only the fuel recommended by the manufacturer, and store the fuel in an approved container.

Do not smoke while working with fuel.

Immediately clean up any spilled fuel.

# SAFE BOATING TIPS


## TOILET

**IMPORTANT:** When not in use, lever must be left in the “dry” position to prevent flooding.

Before using, place the lever in the “wet” position and pump slowly to partly fill and wet the inside of the bowl. Return to the “dry” position.


After using, return the lever to the “wet” position for flushing and pump until the bowl is thoroughly cleaned. Continue with several more full strokes to flush discharge lines. Return lever to “dry” position and pump slowly until bowl is empty.

- There is a possibility of being fined for having an operable direct overboard discharge of waste in some waters. Removing seacock handle, in closed position, or other means must be used to avoid fine.
- It is illegal for any vessel to dump plastic trash anywhere in the ocean or navigable waters of the United States.

 <b>CAUTION</b>
Do not place facial tissue, paper towels or sanitary napkins in head. Such material can damage the waste disposal system and the environment.

## OPENING HULL PORTS


If your boat is equipped with opening hull ports, they must remain closed and secured while under sail. Your boat could take on water when it heels, causing damage to the interior due to flooding or even possible sinking of your vessel.


 <b>CAUTION</b>
All hull ports must remain closed and secure while sailing.

## PUMPS

All pumps should be checked frequently to insure proper operation. This is an especially important regular maintenance item since a properly operating pump could save your vessel from serious damage.

tight. Check that the bilge pump impeller area is clean and free of obstructions. Inspect electrical wiring for corrosion. Ensure that the float switch functions properly.

 <b>CAUTION</b>
Run pump only as long as necessary to remove water. Dry running can damage the pump motor

 <b>WARNING</b>
<b>SINKING HAZARD</b> – Ensure proper bilge pump operation.

Inspect all bilge pump hoses for chafing and dry rot. See that all hose clamps are


# SAFE BOATING TIPS

## WATER SYSTEM OPERATION

Fill fresh water tank at deck fill. The tank filler cap will be marked "water". When tank is full, water will back up through the vent hose and exit through a vent located on the side of the hull. Use tank gauge for filling. D.C. main should be turned on first.

To activate the water system, turn on D.C. main, flip the "water pressure" switch on the electrical panel. This will start the pump and pressurize the system. When the pressure builds, the pump will shut off. With continued use of fresh water the pressure in the system is reduced, automatically restarting the pump. Make sure there is water in the system while pump is in operation to prevent damage to the motor. The pump will also run if a leak develops in the system.

NOTE: Intermittent operation of the fresh-water pump while all faucets are closed usually indicates a leak somewhere in the lines. Trace the lines to locate the leak and repair.

 <b>CAUTION</b>
Run pump only as long as necessary to remove water. Dry running can damage the pump motor

The water heater operates either on 120 or 240 volts AC or when the engine is running. To obtain hot water from the engine, it must run a minimum of one-half hour.

Pressure water pumps are the demand type. Once the circuit breaker switch is on, opening the faucet will produce water flow.

To operate shower, turn on hot and cold faucets until desired temperature is reached, while the showerhead is retracted at sink. Pull the showerhead out and use. The faucets must be turned off to prevent system drainage.

Opening the faucet will allow the pump to empty the tank. Flushing the tank and lines will be necessary for winterization. Refer to Maintenance & Winterization section for more information.

 <b>WARNING</b>
<b>SINKING HAZARD</b> –To ensure the safety of your vessel, always disconnect shore water and power connections when leaving your boat unattended.

## WASTE DISCHARGE

The Hunter is equipped with a head waste holding tank, hose lines, and thru-fittings for either overboard discharge, using the standard equipped hand pump, deck pump out at dockside or Macerator Pump. Tank levels will be indicated on the gauge located below the

main electrical panel. Familiarize yourself with the locations of the deck pump out, overboard discharge thru-hull, and vent locations pictured in the Waste Water System section, as well as your local boating regulations concerning the overboard discharge of raw sewage.

# ENVIRONMENTAL CONSIDERATIONS

## FUEL AND OIL SPILLAGE

The spilling of fuel or oil into our waterways contaminates the environment and is dangerous to wildlife. Never discharge or dispose of fuel or oil into the water. It is dangerous and unlawful. Two common types of accidental discharge are overfilling the fuel tank and pumping contaminated bilge water into the sea.

 <b>WARNING</b>
<b>EXPLOSION/FIRE/POLLUTION HAZARD:</b> Fill fuel tank to less than rated capacity. Overfill forces fuel out the tank vents, which can cause explosion fire, or environmental pollution. Also allow for fuel expansion

## DISCHARGE AND DISPOSAL OF WASTE

Waste means all forms of garbage, plastics, recyclables, food wood, detergents, sewage, and even fish parts in certain waters. We recommend that you bring back everything you take out with you for proper disposal ashore.

Your marine holding tank (if so equipped) must, in many areas, be pumped out by an approved pump-out facility normally found at marinas.

## EXHAUST EMISSIONS

Hydrocarbon exhaust emissions pollute our water and air. Keep your engine

properly tuned to reduce emissions and improve performance and economy.

## ANTI-FOULING PAINTS

The use of anti-fouling paints is common for boats kept in water. Be aware of environmental regulations that may govern your paint choice. These regulations may affect which paint may be used, and also the application or removal. Contact your local boating authorities for more information

 <b>WARNING</b>
<b>EXPLOSION/FIRE/HAZARD:</b> Ventilate when painting or cleaning. Ingredients may be flammable and/or explosive.

## CLEANING CHEMICALS

Cleaning chemicals should be used sparingly and not discharged into waterways. Never mix cleaners and be sure to use plenty of ventilation in enclosed areas. Do not use products that contain phosphates, chlorine, solvents, non-biodegradable or petroleum-based products.

Common households cleaning agents may cause hazardous reactions. Fumes can last for hours, and chemical ingredients can attack people, property and the environment.

# *INSTRUCTIONS FOR PREPARATION FOR BOTTOM PAINTING*

## *WARNING!*

Do not use any sanding, sandblasting or other abrasive reparation of the bottom, as this will void your hull

blistering warranty. See the warranty information at the beginning of this manual.

## *BOTTOM PAINTING*

Choose a bottom paint system that suits the environment in your area. Follow the procedure recommended by the manufacturer of the paint, while making sure not to void the Hunter Hull Blistering Warranty. The

procedure for preparing and painting the bottom varies between paint manufacturers, but should always include dewaxing, etching and sometimes priming of the surface.


## *EPOXY BARRIER COAT*

Sanding of the gel coat bottom surface will be permitted should a customer wish to have an epoxy barrier coat applied to the hull, (example Interlux Interprotect 1000, 2000, West System or VCTar). This will not void the Five-Year Blister Warranty.

Hunter Marine refers to epoxy barrier coatings as mentioned above, not epoxy primer paints.

If an epoxy barrier coat is applied to a Hunter vessel, it must be registered with the Warranty Department

prior to application of the product. If the dealer applies bottom paint only, sanding **will not** be allowed and the no sanding system must be used.

 <b>WARNING</b>
Cleaning agents and paint ingredients may be flammable and/or explosive, or dangerous to inhale. Be sure to use adequate ventilation, and appropriate safety clothing. (gloves, safety glasses, respiration, etc)

# ENGINE, TRANSMISSION & DRIVETRAIN

## ENGINE

Follow the fuel and lubrication requirements in the Engine Manual. Check the engine oil level before and after operation and use a quality motor oil (refer to Engine Manual). Be certain the proper amount of oils is in the crankcase at all times

**Engine Alignment:** the engine should be aligned by experienced marine service personnel. Final alignment should be done after launching, with all normal gear aboard. A description of the procedure follows:

The coupling flanges must come together evenly at all points, a feeler gauge is used to check the gap. If adjustment is necessary, the engine is tilted up or down and/or side-to-side until the flanges meet evenly. Severe vibration will result from misalignment and can cause strut bearing and shaft damage. Alignment should be checked again after several weeks of use. Routine checks of coupling bolts are a must to ensure they are tight.

**Shaft Alignment:**

1. Separate the coupling, move the shaft end back to clear the pilot in the center.

2. Establish the shaft in the center of the shaft log by raising the shaft until it touches the top of the log – note position – lower the shaft until it touches the bottom of the log – note position – repeat sideways and locate shaft in the center; block shaft in this position, using a block of wood under the shaft packing gland.

3. Now, adjust the engine mounts to allow the pilot on the coupling halves to slip together without moving shaft up down or sideways.

4. Adjust the engine mounts as necessary until a .004" feeler gauge will not enter anywhere along the edge of the flange between the faces.

5. Tighten the locks on the adjustable mounts

6. Recheck coupling with feeler, readjust if necessary.

7. Check stuffing box (allow to drip 3 to 5 drops per minute).

Any questions or problems concerning the engine, please contact the U.S. distributor, Mastery Marine at (727) 522-9471, or your local Yanmar service agent.

## TRANSMISSION

Follow the lubrication requirements of the engine manual. The oil level should be

checked immediately after operation.

## STUFFING BOX

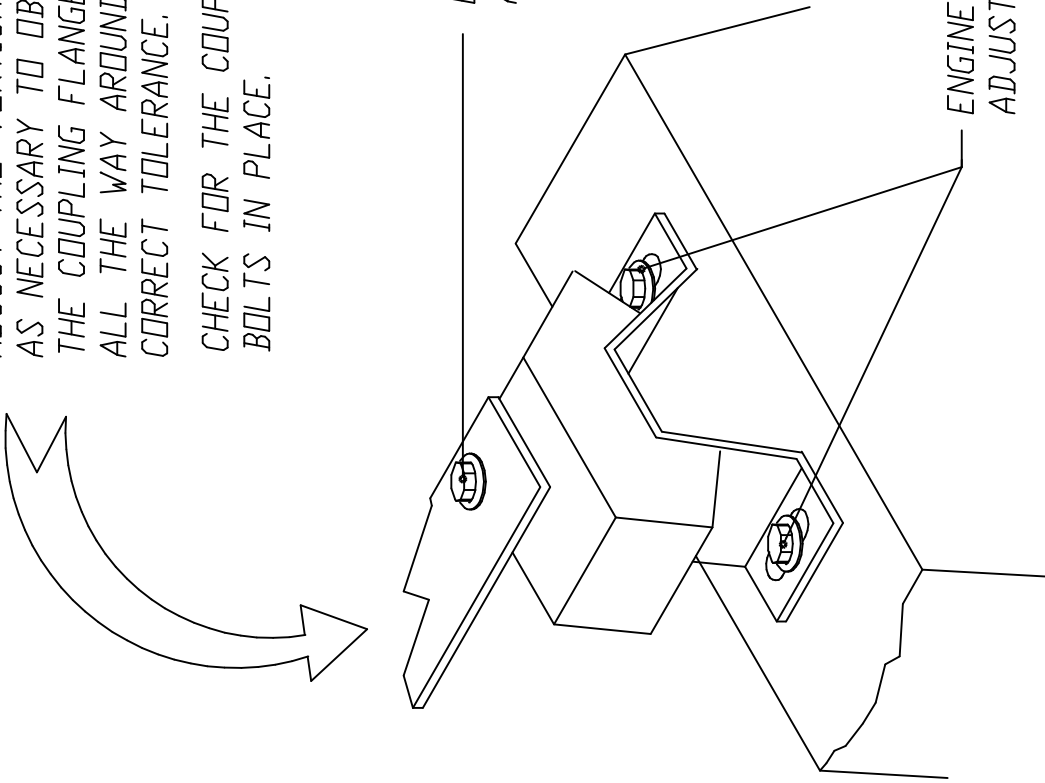
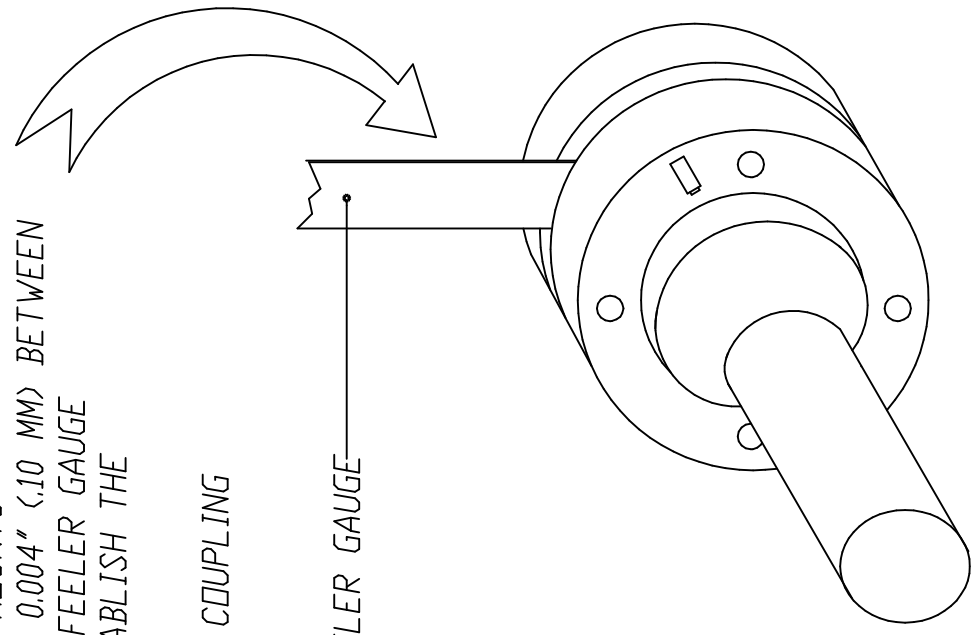
The stuffing box is held to the stern bearing by a rubber hose secured with hose clamps. (See the Shaft and Propeller section). The clamps should be tight and no water should leak from this location. While underway a slight drip from the stuffing box at the shaft exit is necessary (three to five drops a minute) and is normal. To adjust, loosen the locknut, tighten the gland nut one-quarter

turn, a retighten the locknut. If excessive water flow persists after adjustment, replace the packing with 3/16" (or 5mm) square flax packing and then adjust as above.

**NOTE: Some models use a packless sealing system. Page 56 or Pages 56A, B, C, reflects the type of stuffing box used on this model.**

ADJUST THE VERTICAL & HORIZONTAL ENGINE MOUNTS AS NECESSARY TO OBTAIN A MAXIMUM GAP OF 0.004" (.10 MM) BETWEEN THE COUPLING FLANGE FACES. USE A 0.004" FEELER GAUGE ALL THE WAY AROUND THE COUPLING TO ESTABLISH THE CORRECT TOLERANCE.

CHECK FOR THE COUPLING GAP WITHOUT THE COUPLING BOLTS IN PLACE.



# MAINTENANCE

## COMPASSES

A boat compass rarely exists in an environment that is completely free from magnetic materials or influences.

The compass on your boat should be adjusted by a certified compass adjuster and have a deviation table made for it.

If you must depend solely on your compass for navigation, make a quick check for any objects near the compass that may cause additional, unmeasured deviation. Typical objects that may fall in this category include: knives, small radios, flashlights or other tools.

## STEERING

Refer to the manufacturer's instruction for maintaining pedestal steering system. Routinely inspect steering system components.



### WARNING

**CONTROL HAZARD** – Inspect and maintain steering system regularly. An improperly maintained system may fail, causing sudden loss of steering control, resulting in personal injury and property damage.

## ELECTRICAL SYSTEMS

The electrical system is a 12-volt, negative ground installation, plus a shore power system of either 120v or 220v. The owner should inspect batteries, terminals and cables weekly for signs of corrosion, cracks, and electrolyte leakage. Battery terminals are to be kept clean and greased. Refer to separate instructions on batteries, wiring diagram, and electronics.



### WARNING

**SHOCK/FIRE HAZARD**

Replace breaker or fuse with the same amperage device. Never alter over current protection.



### WARNING

**SHOCK/FIRE HAZARD**

- Disconnect electrical system from its power source before performing maintenance. Never work on the electrical system while it is energized.
- Electrical appliances must be within the rated amperage of the boats circuits.
- Observe boat carefully while the electrical components that can be left unattended are the automatic bilge pump, fire protection and alarm circuits.
- Only a qualified marine electrical technician may service the boat's electrical system.



### CAUTION

- Turn off engine before inspecting or servicing battery.
- Disconnect battery cables before working on electrical system to prevent arcing or damage to alternator.



# MAINTENANCE

## PLUMBING SYSTEMS

All pumps should be checked frequently to insure proper operation. This is an especially important regular maintenance item since proper functioning of a pump could save your vessel from serious damage in the future.

Inspect all hoses for chafing and deterioration. See that hose clamps are tight. Check that the pump impeller area is clean and free of obstructions.

Inspect electrical wiring for corrosion. Make sure float switches move freely and are making an electrical connection.

The owner should become familiar with the layout of the water and waste sys-

tems by walking through the boat with the diagrams provided in this manual. It is especially important that the owner knows all the thru-hull valve locations and inspects for leaks frequently. Refer to plumbing diagrams in Specifications and Technical section of this manual.

General Thru-hull Lists (varies from boat to boat---see diagrams in Systems and Circuits section).

- 1) Engine cooling system
- 2) Galley sink
- 3) Head sink
- 4) Head toilet (water intake)
- 5) Holding tank discharge
- 6) Scupper drains

## FUEL SYSTEMS

The owner should inspect the condition of fuel lines for cracks or leaks. A primary source of fuel-related problems is water in the system. The owner should use only well maintained fueling facilities and make sure fuel fill caps are tightly secured after filling. Check and maintain

fuel filters periodically. Refer to your Engine Manual for additional information. Periodically, add biocide to prevent bacteria and fungi from contaminating diesel fuel that may contain some water. Carefully follow manufacturer's instructions and clean filter regularly.

# MAINTENANCE

## CLEANING FIBERGLASS SURFACES

Fiberglass surfaces should be cleaned regularly. Normal accumulations of surface dirt can be removed simply by occasional rinsings with water. If you operate your boat in salt water, more frequent rinsing will be required. To remove stubborn dirt, grease or oil, use a mild detergent and a soft brush. Rinse with fresh clean water. Avoid the plexiglass companionway slider, windshield, deck hatches and fixed ports when using a deck brush, since these surfaces can scratch.

It is a good idea to wax the fiberglass once or twice a year to maintain a deep, glossy appearance. Your local marine supply should be able to provide an appropriate wax.



### WARNING

#### EXPLOSION/FIRE HAZARD

Cleaning agents and paint ingredients may be flammable and/or explosive, and dangerous to inhale. Be sure to use adequate ventilation, and appropriate safety clothing (gloves, safety glasses, respirator, etc.)

## CLEANING ACRYLIC

Use only mild soap and water to clean acrylics. Do not use products containing solvents such as ammonia, which is found in many window cleaners.



### CAUTION

*Use care when cleaning acrylic. Dry cloth and many glass cleaners will scratch. Solvents will attack the surface.*

## SAIL CARE

Sunlight is a sail's worst enemy, so **cover the mainsail when not in use**. An ultraviolet guard, fitted down the leech of a roller headsail will protect the exposed part from the weathering effect of the sun and from dirt and grit.

Mildew, can be prevented by storing sails dry and by hand washing twice a season. Check all sails regularly for chafe, particularly where they chafe on deck fittings or rig-

ging, at reef points, batten sleeves and the foot of the headsail. Sail batten pockets should be inspected on a regular basis.

To stow the mainsail, start at the leech and flake it onto the boom, left and right, in about 18-in. (46 cm) folds, while pulling the leech aft. Secure with a sail tie and continue to the luff. Lash to the boom with sail ties or shock cord.

## GENERAL HARDWARE MAINTENANCE

Check all fittings regularly to be sure screws are tight. Occasionally lubricate (use silicone lubricants) all moving parts on such fittings as blocks, turnbuckles and cam cleats, as well as the locking pins of snatch blocks, track slides, spinnaker poles, etc. Inspect cleat and fairleads for roughness and smooth with

fine-grained emery paper if necessary. Also, replace any missing or damaged cotter pins in turnbuckles and shackles, and either tape them or use them or use protective covers manufactured for that purpose. Grease winches a minimum of once yearly.

## WINCH MAINTENANCE

Follow the maintenance instructions prescribed by winch manufacturer.

We recommend a minimum of an annual cleaning and light greasing.

# VINYL CARE

These patterns, like all upholstery fabrics and vinyl, require a regularly scheduled cleaning program. A thorough cleaning should be administered on a daily, weekly or monthly basis depending on use and exposure to dirt and/or staining agents. It is important to begin treatment of a stain as soon as possible after a spill. It is important that efforts begin immediately after a spill to remove any potential staining agent. It is advisable to clean these products as soon as the first signs of dinginess occur, otherwise, delaying clean up will require a much greater effort to restore the product to its original appearance.

Regular cleaning requires the use of a mild cleaner such as Murphy's Oil soap and water. In situations where the vinyl has not been washed regularly and there is a build up of dirt, stronger vinyl cleaners such as Simonize's Tuff Stuff or Turtle Wax's vinyl/fabric cleaner are recommended. We do not recommend the use of any other cleaners. The use of cleaners other than

those recommended may result in irreparable damage to the product.

In order for the above listed cleaning solutions to work effectively on stubborn stains, please allow time for the cleaning solution to soak in thoroughly. Be sure to remove the cleaning solution before it has time to dry. Regardless of the type of cleaner used, it is necessary to finish up with a thorough rinse using fresh water on a clean sponge or rag. A soft bristled nylon or natural fiber brush can be used to remove built-up dirt and staining agents.

Finally, please remember that all our fabric grain vinyls require a greater cleaning effort to maintain than comparable smooth grain vinyls. These products will provide an attractive and durable alternative to conventional fabrics and vinyls if properly maintained. One must realize that the proper installation and use of our fabric grain vinyls require additional attention to the establishment and maintenance of a well thought out cleaning program.

## CAUTION

***Do not use acetone or other harsh cleaners on the vinyl soft headliner. Use soapy water or other mild detergent to avoid damage to the vinyl.***

## FABRIC CARE

**Vinyl:** Clean with mild soap and water. Wipe with vinyl or upholstery cleaner monthly, and especially before and after storage.

**Leather:** Mild soap water. Blot dry. Do not scrub as this will stretch and scratch. Wipe with leather cleaner/oil to preserve and help prevent cracks before and after storage.

**Fabric:** Blot dry. Do not machine wash. Use only mild soap and water. Wipe with a clean white cloth. If stain persists, dry clean. Be sure to treat cleaned surfaces with scotch

guard. Stretched or loose covers may be steam cleaned. If foam is removed, it will restuff more easily if wrapped with thin plastic.

**Storage:** Cover with airflow fabric to reduce dust build up. Do not use plastic, as this will cause cushions to sweat and mildew.

**Cushions:** If wet, prop cushions vertically to promote airflow around each cushion. Cushions can be cleaned by most dry cleaners.

**Dry clean only.**

## REPAIR OF POLYURETHANE (MINWAX) FLOORS

**Surface Scratches:** Sand floor with 220 grit sandpaper. Remove all dust with clean cotton cloth or blow off with air. Apply one coat of minwax evenly over sanded floor. Let dry completely, at least 24 hours

**Deep Scratches:** Remove all blemishes by sanding floor with 220, until all minwax is removed and you have a raw floor. Remove all dust with clean cloth or blow off with air. Apply one coat evenly over floor. Let dry four to six hours. Repeat steps one and four. Apply third coat of minwax only if needed by repeating steps one and four.) After final coat, let floor dry completely at least one day.

# *ELECTROLYSIS AND GALVANIC PROTECTION*

Salt water allows electric current to flow from anodic to cathodic material. For any two metals from two components, their relative positions in the galvanic rating table, will determine which loses material (the anode) and which remains largely undisturbed (the cathode). The distance between the two metals on the galvanic table determines the rate of wear. Thus a sacrificial zinc anode is often fitted to the underwater area of a boat to attract any destructive currents away from bronze or steel propeller shafts, for example. It is not enough to know that your boat does not suffer from electrolysis; a newcomer in the adjacent marina berth may start a too-

friendly association with metal components on it. An easy place to fit an anode is on the propeller shaft, or covering the propeller nut. The anode should not be painted; this would render it ineffective.

To prevent electrolysis in seawater, the difference between the voltages of the two adjacent metals should not exceed 0.20 V. For example, zinc and carbon steel used together risk corrosion, while lead and active stainless steel are compatible. Metals with a high voltage corrode faster and need a larger area to diffuse the electrochemical reaction.

## *TEAK CARE (240,260,and 270 ONLY)*

Teak wood is a high quality, extremely durable wood with high oil content. In order to help you protect the original beauty of your teak interior, we have sealed the wood with a 3 to 4 coat system of high quality Seafin Teak Oil, manufactured by Dalys. This material is penetrating oil that dries to a low sheen to seal and protect the wood from

moisture and weathering. It creates a durable, nonslip surface to repel water and resist wear. It won't chip, peel or blister. It reduces work and maintenance cost because it is easy to repair and maintain and repair. With proper maintenance it will outlive urethane varnish on interior and even exterior surfaces

## *MAINTENENCE*

When oiled surfaces require renewing, simply wipe the surface area free of loose dirt, dust or other contaminants. Dampen a cloth with the

Seafin Teal Oil and wipe on. Let stand for 5-15 minutes, then polish dry. If your dinette table has an epoxy finish, clean with furniture polish

## *REPAIRS*

When woodwork is damaged from scrapes or abrasions that go into or thru the finish, take the following steps:

1. Take 180 to 200 grit wet/dry sand paper to smooth out rough spots.
2. Wipe clean of dust and dirt with a clean rag. Note: before applying oil, wood surface must be dry.
3. Wipe or brush on oil, allow to penetrate 5-15 minutes while surface is still wet.
4. Sand until smooth with 400A wet/dry sandpaper.
5. Wipe dry with a clean rag. Allow 8-12 hours drying time.

6. Apply second coat, sand, and repeat procedure.

This procedure may be repeated as many times as needed to bring damaged area back to its original finish. If you have trouble with getting the same sheen, you may use a soaked and wrung out cloth to apply a very light coat to get an even sheen.

For more information about the product contact:

Dalys  
3525 Stoneway North  
Seattle, WA 98103  
(206) 633-4200

## ***INTERIOR FURNITURE & BULKHEAD SPRAY FINISH***

### **TEAK CARE**

Teak wood is a high quality, extremely durable wood with a high oil content. In order to help you protect the original beauty of your teak, we have sealed the interior with a (3 to 4) spray coat finish, using sealer and varnish for marine cabinets. The materials are

manufactured by "Chemcraft International Inc". This material will seal and protect the wood from moisture and weathering. It is easy to maintain and reduces work and maintenance costs.

### **REPAIRS**

When woodwork is damaged from scrapes or abrasions (that go into or through the finish), take the following steps:

- 1) Sanding with the grain, take 320 grit sand paper to smooth out rough spots. If the spot is down to the raw wood, rag (100% cotton) wipe the spot with acetone and allow to dry. (Note: acetone only needs to be applied to the raw teak).
- 2) Reseal raw wood with Mohawk Spray Sealer (aerosol can) and allow to dry.
- 3) Lightly sand with 320 grit, sanding larger than original spot.
- 4) Wipe clean of dust and dirt with a clean rag.
- 5) Using Mohawk touch up and repair supplies, use clear lacquer spray (aerosol can). Apply (1) coat on the spot evenly and allow to dry.
- 6) This process (steps 3 – 5) may be repeated as many times needed to bring damaged area back up to its original finish. On your final spraying, be sure to feather into existing finish.

### **SOP FOR POLYURETHANE (MINWAX) FLOORS**

#### **SURFACE SCRATCHES**

- 1) Sand floor with 220 grit sandpaper until all scratches are removed.
- 2) Remove all dust with a clean cotton cloth or blow off with an air gun, then wipe down with a tack cloth.
- 3) Apply one coat of minwax evenly over the sanded area.
- 4) Let the minwax dry completely (at least one day)

#### **DEEP SCRATCHES**

- 1) Sand floor with 220 grit sandpaper until all the minwax is removed and down to raw wood, removing all blemishes.
- 2) Remove all dust with a clean cotton cloth or blow off with an air gun then wipe down with a tack cloth.
- 3) Apply one coat of minwax evenly over the floor.
- 4) Let minwax dry 4-6 hours
- 5) Repeat steps 1-4, light sand
- 6) Apply a 3<sup>rd</sup> coat if needed by repeating steps 1-4.
- 7) Let the minwax dry completely (at least one day)

#### **Chemcraft International**

Telephone: 910-723-1846

U.S. Watts: 1-800-334-8556

#### **Mohawk Finishing Products, Inc.**

U.S. Watts: 1-800-545-0047

# STORAGE/WINTERIZATION

## IMPORTANT

Winter storage is recommended to be done in one of the following three ways, either: 1) by blocking the boat via a cradle 2) with chained stands on level ground; or 3) by storing the boat in the water with a bubbler system to prevent icing. Damage to your boat, including engine misalignment caused by twisting, is not covered by the warranty.

### SAILS

Sails should be properly folded and stowed in a dry, well-ventilated place. Many sailboat owners send their sails back to the sail manufacturer at the end of each season. The sailmaker will check the stitching and sailcloth for wear and store the sails until the start of the next season.

### ELECTRICAL

Remove battery from boat (Refer to Engine Manual) and charge. It is a good idea to also remove the electronics (radio, radar, etc) and store in a safe place.

### CUSHIONS

Cushions should be removed and stored at home if possible. If not, prop them vertically to promote air flow around each cushion. *Dry clean only!*

### HATCHES

Tenting the deck during storage will help prevent ice from forming and damaging hatches and deck fittings. The installation of a passive vent will help with ventilation while the boat is in storage.

### WATER SYSTEM

Open a faucet and allow the pump to empty the tank. Then add approximately two gallons (7.6L) of non-toxic antifreeze solution to the tank and repeat the pumping out procedure.

A second method is to disconnect the hoses at the pump, allowing

them to drain. Find the lowest point in the system and disconnect the fitting. Open all faucets to allow the lines to drain. If possible, use a short section of hose on the faucet to blow through the lines to clear all water. A diluted solution with baking soda will help freshen the system.

### WATER SYSTEM

Open valve and drain fully leave valve open during lay-up time.

### TOILET AND HOLDING TANK

Drain and flush toilet. Using non toxic antifreeze in a 50/50 mixture with water, pump through toilet and into holding tank.

### OUTBOARD ENGINE

Take it home and store it in a safe place. Be very careful storing the gas tank as the gasoline is very flammable. Refer to Engine Manual for specific maintenance schedule.

### INBOARD ENGINE

#### Winterizing Fresh Water Cooled Diesel Engines

1. Drain crankcase and transmission and refill with fresh lubricant as specified in Engine Manual.
2. Drain and clean all fuel filters and change elements, gaskets, and seals. Bleed all air from fuel systems.
3. Start engine and bring up to operating temperature.
4. Close the sea cock, remove the raw water pickup hose from the raw water pump and immerse one end into a 5-gallon (19L) bucket of anti-freeze solution. Start engine and run

# STORAGE/WINTERIZATION

until antifreeze solution comes out exhaust stack or until bucket is empty. Attach the raw water pickup hose to the raw water pump. Tighten all clamps. **NOTE: This procedure bypasses the sea strainer to prevent antifreeze from crystallizing in sea strainer, which warranty will not cover.**

5. Loosen water pump and alternator belts to lessen tension on belts during winter.

6. For engines equipped with a hand crank: pull compression release levers and turn engine slowly with the hand crank. Slowly pour about 2 ounces of engine oil into the intake pipe or manifold while hand cranking the engine. This will allow for a thin coat of oil on the valves and upper cylinder. **DO NOT USE** starter to turn engine or serious engine damage may result.

7. Tape the openings of the intake and exhaust manifolds with duct tape to help prevent corrosion of the upper cylinder during layup.

8. Scrape all rust or corrosion from exposed metal parts and surfaces. Scrub all metal surfaces with detergent and rinse thoroughly. Paint any bare metal.

9. Place a dust cover over engine. Do not leave the engine exposed to rain and sea breeze.

10. Disconnect the battery cables; remove the battery from the boat. Clean the terminal ends and battery with a solution of baking soda and water, and then rinse thoroughly with clean water. Apply a light coat of grease on the terminal end of the battery and cables. Store the battery in a cool dry place. Use a trickle charger to keep battery charged. Do

not charge battery near any open flame or a confined area.

**CAUTION: Wear safety goggles and rubber gloves to protect your skin.**

## Winterizing Raw Water Cooled Diesel Engines

1. Drain crankcase and transmission and refill with fresh oil as specified in the engine manual. Change oil filters.

2. Close seacock, remove raw water pickup hose from water pump, attach 4-foot (1.2m) length of hose to water pump and immerse in a 5 gallon(19L) bucket of anti freeze solution. Remove hose from engine or manifold that leads to exhaust elbow. Attach about a 4-foot length of hose and immerse one end in the bucket of antifreeze solution. Start engine and run until water begins to warm up (about 3-5 min.) and the thermostat opens. Stop engine. Replace hose that leads to exhaust elbow. Start engine and let run till water comes out exhaust pipe. Stop engine, remove hose from water pump to bucket, attach hose from seacock to water pump and tighten all hose clamps. **NOTE: this procedure bypasses the sea strainer to prevent antifreeze from crystallizing sea strainer, which warranty will not cover.**

3. Loosen water pump and alternator to lessen tensions on belts during winter.

4. Drain and clean all fuel filters and change elements, gaskets and seals. Bleed all air from fuel systems.

5. Pull compression release lever and turn engine slowly with hand crank. Slowly pour about 2 ounces of

# STORAGE/WINTERIZATION

engine oil into the intake pipe or manifold while engine is turning.

**DO NOT USE** the starter to turn engine or serious engine damage may result.

6. Tape the openings of the intake and exhaust manifolds with duct tape to help prevent corrosion of the upper cylinder during lay-up.

7. Scrape all rust or corrosion from exposed metal parts and surfaces.

Scrub all metal surfaces with detergent and rinse thoroughly. Paint any bare metal.

8. Place a dust cover over engine. Do not leave engine exposed to rain and sea breeze.

9. Disconnect the battery cables; remove the battery from the boat.

Clean the terminal ends and battery with a solution of baking soda and water and rinse thoroughly with clean water. Apply a light coat of grease on the terminal end of the battery and cables. Store the battery in a cool dry place. Use a trickle charger to keep battery charged. Do not charge battery near any open flame or in a confined area.

**CAUTION: Wear safety goggles and rubber gloves to protect your eyes and skin.**

## DEPARTURE FROM THE BOAT

The check list for leaving a boat unattended is very important because items overlooked often will not be remembered until you are far from the boat and corrective actions are impractical or impossible.

Primary choices for this list are items relating to the safety and security of the unattended craft: turning off fuel valves, properly setting electrical switches, pumping out bilge and leaving the switch on automatic (or arrange for periodic pumping out). **It is recommended that the power be turned off when leaving the boat.** Other departure checklist items are securing ports, windows, hatches and doors.

## ROUTINE MAINTENANCE

Routine maintenance checklists should include items based on how much the boat is used (usually in terms of engine hours) and on calendar dates (weekly, monthly or seasonal checks). Typical of the former are oil level checks and changes, and oil and fuel filter changes.

On a calendar basis the lists should note such matters as electrolyte levels in storage batteries, pressure gauges on dry chemical fire extinguishers, and all navigation lights. Check the operation of automatic bilge alarms or pump switches by running water into the boat. Periodically close and open

sea cocks several times to ensure their free and easy operation in case they are needed in an emergency. Equipment and supplies carried on board for emergencies should be inspected for any signs of deterioration.



## CE CERTIFIED

Your Hunter has been manufactured in the United States and has been certified by the IMCI to be in compliance with the relevant parts of the Recreational Craft Directive 94/25/EC from the European Parliament. The CE mark means your craft meets or exceeds the applicable current International Organization for Standardization (ISO) standards and directives as stated on the CE certificate supplied with your craft. The builder's plate, affixed to your boat, describes various parameters involved in the design of your boat. Please refer to it regularly when operating your boat.

Following are the Design Categories, established by the Recreation Craft Directive, which is to be considered a guideline of use application as per the Directive's criteria. Hunter Marine Corporation does NOT establish these criteria, and the category indicated is only a reference to the assigned category. The safety of the captain and crew of any vessel is not measurable by such categories, and you should not interpret these categories as an indication of your safety in such condition. The skill of your captain and crew, together with proper preparation, appropriate safety equipment for the given conditions and a well maintained vessel are critical to safe sailing.

### CE CRAFT DESIGN CATEGORIES

Category A – “Ocean”: Craft designed for extended voyages where conditions may exceed wind force 8 (Beaufort Scale) and include significant wave heights of 4m, for vessels that are largely self-sufficient.

Category B - “Offshore”: Craft designed for offshore voyages where conditions include winds up to and including wind force 8 and significant wave heights up to and including 4m may be experienced.

Category C – “Inshore”: Craft designed for voyages in coastal waters, large bays, estuaries, lakes and rivers, where conditions up to and including wind force 6 and significant wave heights up to and including 4m may be experienced.

Category D – “Sheltered Waves”: Craft designed for voyages on small lakes, rivers and canals, where conditions up to and including wind force 4 and significant wave heights up to and including 0.5m may be experienced.

*For additional information, contact*

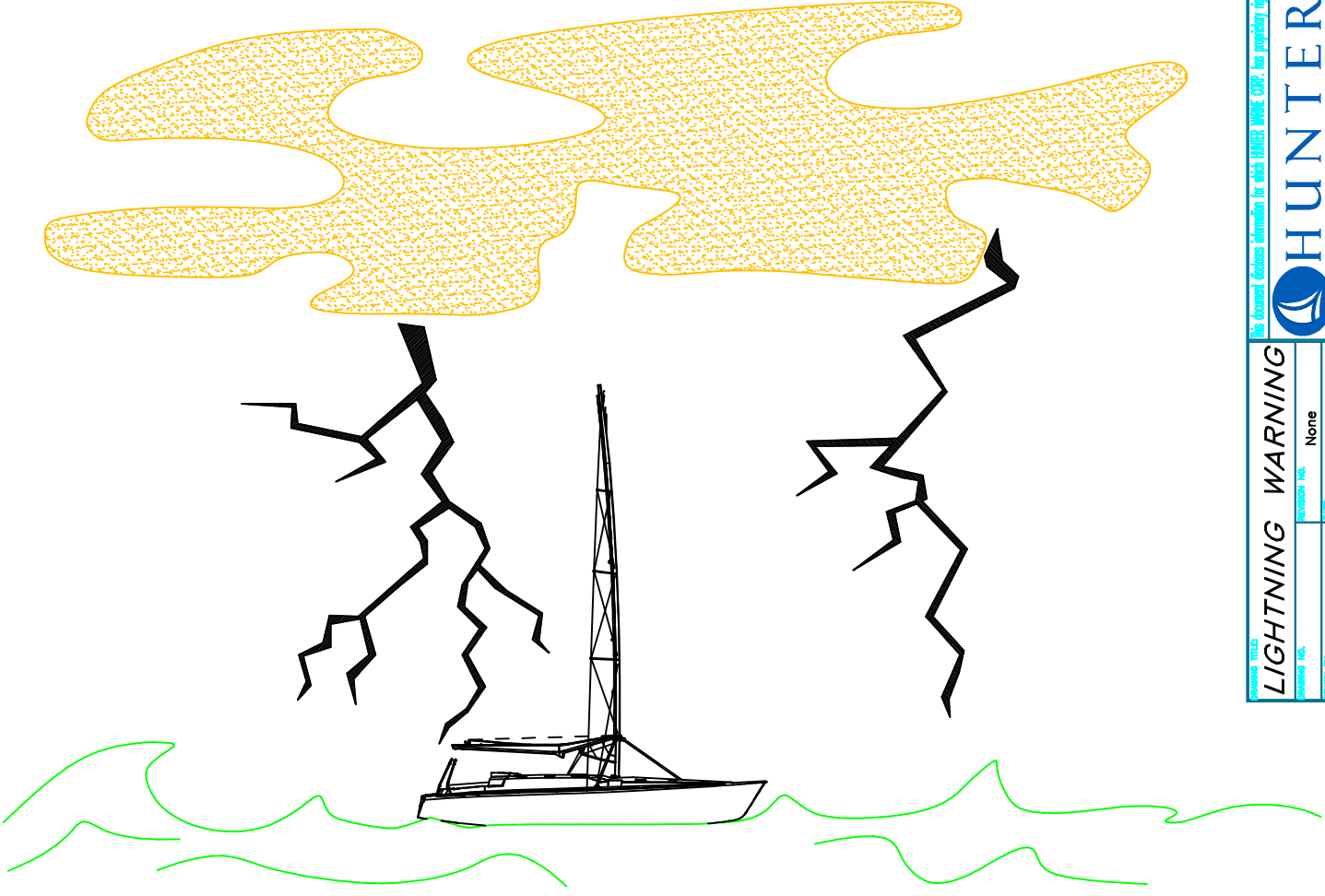
International Marine Certification Institute (IMCI)  
Treves Centre, rue de Treves 45  
1040 Brussels, Belgium  
FX: (32) 2238-7700

## NMMA CERTIFIED

Your Hunter has been judged by the National Marine Manufacturers Association (NMMA) to be in compliance with the applicable federal regulations and American Boat and Yacht Council (ABYC) standard and recommended practices in effect at the time of manufacture.

*For additional information, contact:*

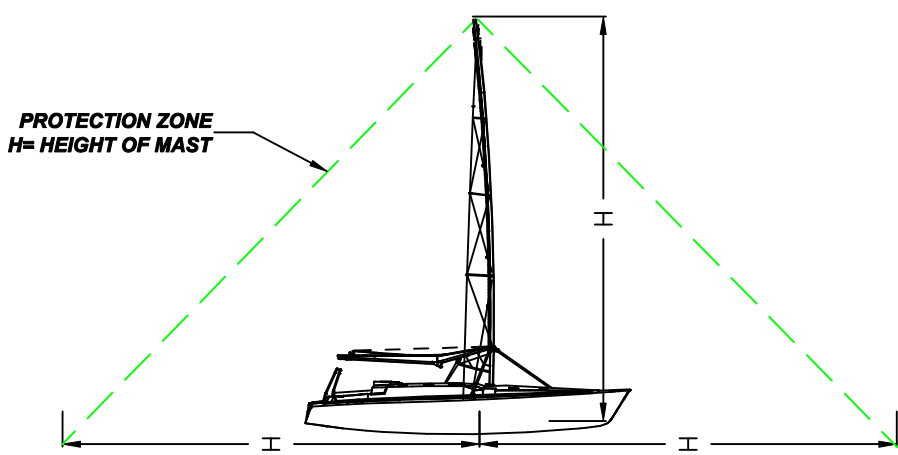
National Marine Manufacturers Association  
200 E. Randolph Dr., Suite 5100  
Chicago, IL 60611  
PH: (1) 312-946-6200 FX: (1) 312-946-0388



**LIGHTNING STORM WARNING:**

- 1. ALL WHIP ANTENNAS SHOULD BE TIED DURING STORM, UNLESS PART OF THE LIGHTNING PROTECTION SYSTEM.**
- 2. PRECAUTIONS: DURING LIGHTNING STORMS: A. THE SHIPS OCCUPANTS SHOULD TAKE SHELTER INSIDE A CLOSED AREA OF THE BOAT. EXAMPLE: BELOW DECK. B. OCCUPANTS SHOULD NOT HAVE ANY BODY PARTS IN THE WATER. C. AVOID CONTACT WITH ANY COMPONENTS OF THE L.P.S. AND D. AVOID ALL CONTACT WITH ANY METAL OBJECTS.**
- 3. SEE DIAGRAM BELOW FOR INFORMATION ON THE LIGHTNING PROTECTION ZONE.**
- 4. IF LIGHTNING SHOULD STRIKE THE SHIP, INSPECT ALL ELECTRONICS, ELECTRIC GEAR, COMPASS AND L.P.S. SYSTEM FOR POSSIBLE DAMAGE. RECALIBRATE AS NECESSARY. NOTE: BEGIN CHECKING ELECTRONICS AFTER THE THREAT OF LIGHTNING HAS PASSED.**

**FAILURE TO FOLLOW PRECAUTIONS MAY RESULT IN SEVERE INJURY OR DEATH**

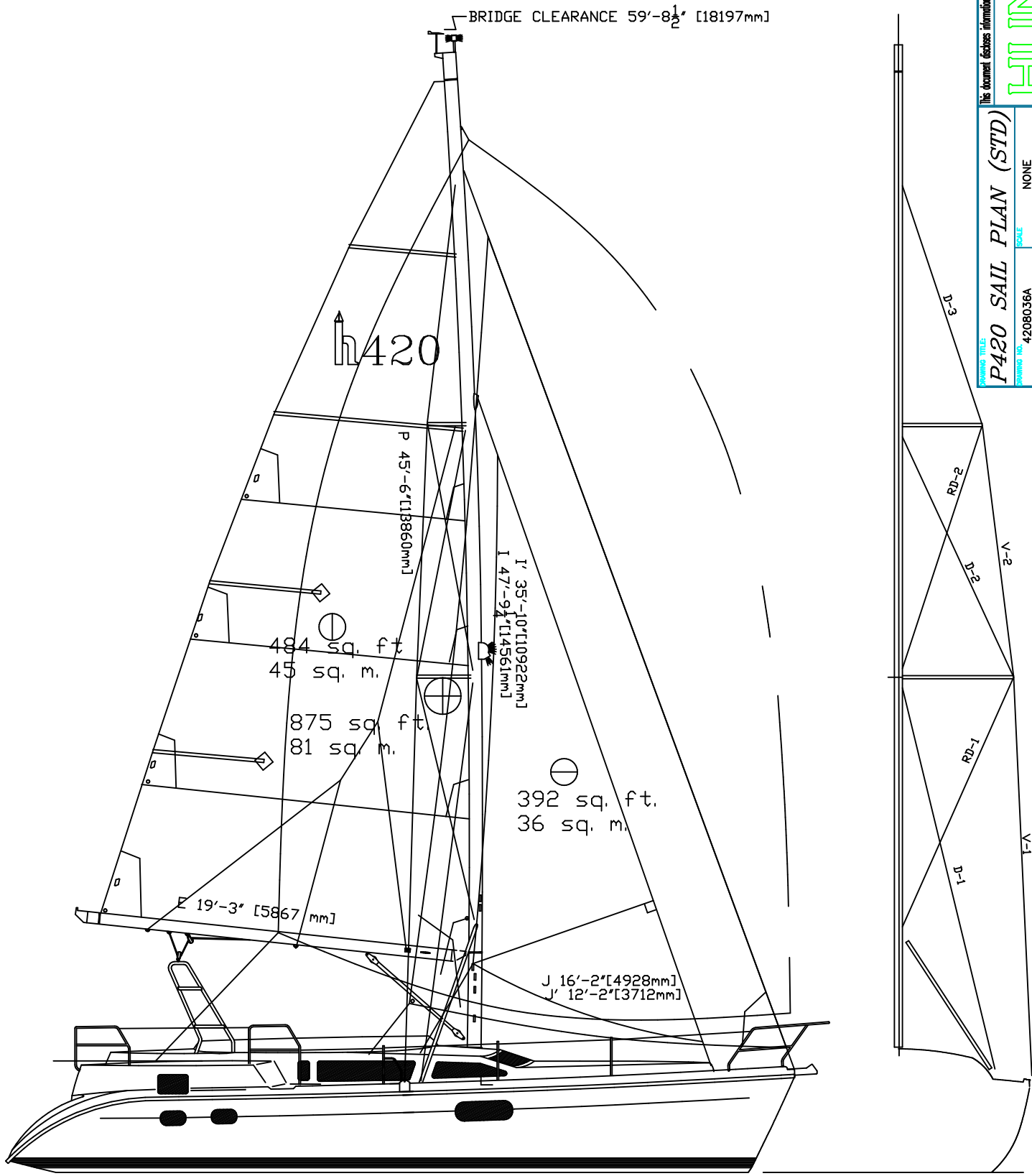


This document declares information for which HUNTER MARINE CORP. has proprietary rights.



### P420 SAIL PLAN (STD)

PROJ. FILE NO.	4208036A	SCALE	NONE
ISSUE NO.		DWG.	7/21/98
ENGINEERING DEPT			

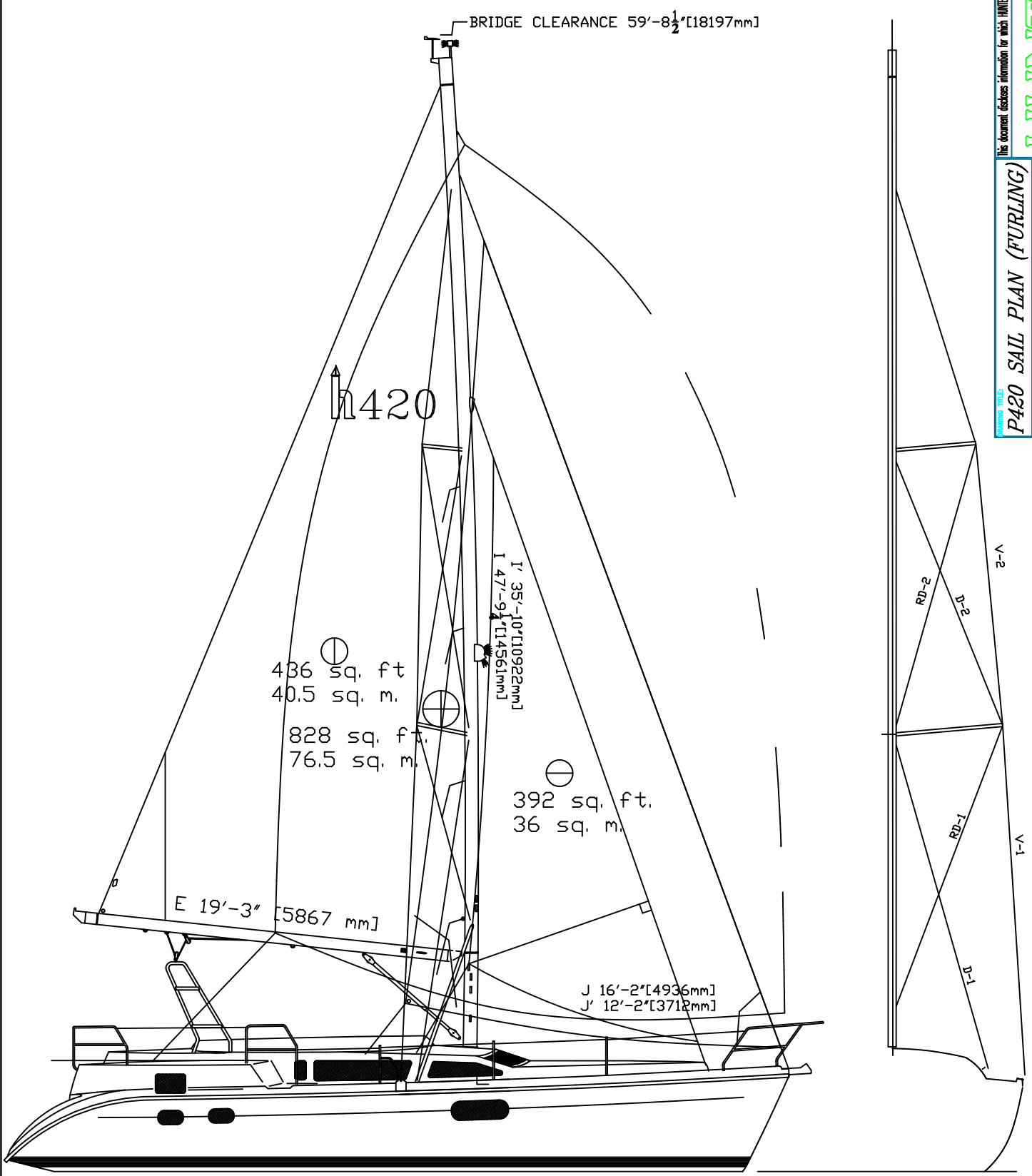


This document discloses information for which HUNTER MARINE CORP. has proprietary rights.



P420 SAIL PLAN (FURLING)

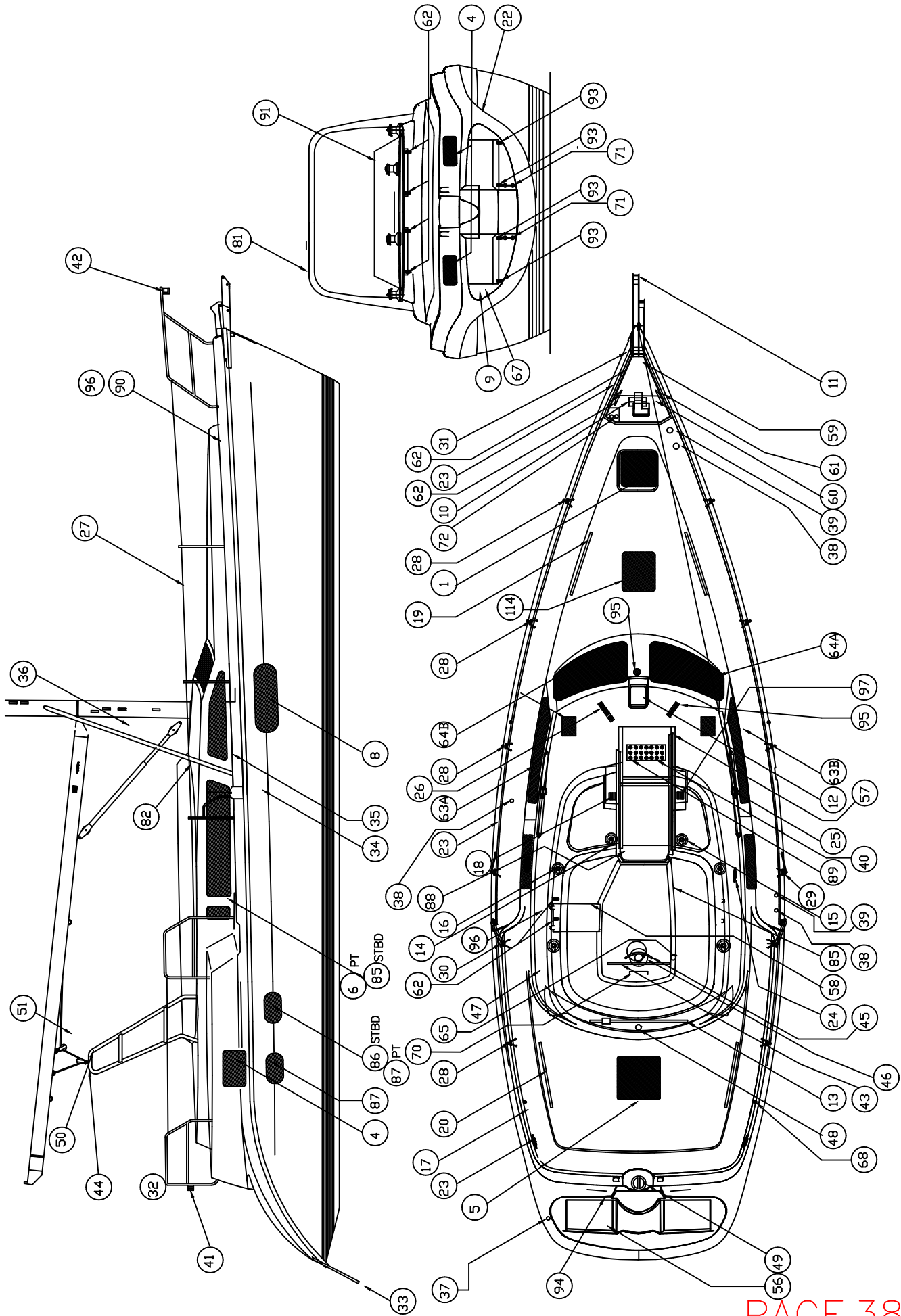
PROJECT NO.	4208036B	SCALE	NONE
DATE	7/21/98	DESIGNER	
ENGINEERING DEPT			



# DIMENSIONS, CAPACITIES, ETC.

## HUNTER 420

LENGTH OVERALL (LOA).....	40'8"	12.40m
LENGTH OF WATERLINE (LWL).....	37'10"	11.54m
BEAM (MAX).....	13'10"	4.21m
DRAFT (SHOAL KEEL).....	5'4" (SHOAL)	1.52m
DRAFT (DEEP KEEL).....	6'4" (DEEP)	1.93m
DISPLACEMENT.....	20,611 lbs.	9,369 kg
BALLAST (SHOAL KEEL).....	7,400	3,360 kg
BALLAST (DEEP KEEL).....	6,700	3,042 kg
SAIL AREA (100% TRAIANGLES).....	823 sq. ft.	76.46 sq.m
SAIL AREA (ACTUAL W/STANDARD SAILS).....	875 sq. ft.	81.29 sq.m
I.....	47' 9 1/4"	14.56m
J.....	16' 2"	4.93m
P.....	45' 6"	13.86m
E.....	19' 3"	58.67m
MAST HEIGHT (FROM WATERLINE).....	58' 4 1/2"	17.79m
HEADROOM.....	6'6"	1.98m
WATER CAPACITY.....	147 U.S. gal.	556 liters
HOLDING TANK CAPACITY.....	45 U S gal.	170 liters
FUEL TANK CAPACITY.....	50 US gal.	189 liters
LPG TANK CAPACITY.....	20 lbs.	9.09 kg
BATTERY CAPACITY.....	DEALER SUPPLIED	
ELECTRICAL VOLTAGES.....	12 V.D.C./ 110 V.A.C. (SELECT OVERSEAS MODELS 220 V)	
INBOARD ENGINES.....	50 hp	37.3 kw
OPTIONAL GENERATOR.....		6 kw
MAXIMUM LOADING.....	10 PEOPLE	1870 kg (INCLUDING LUGGAGE)
LIFTING POINTS.....	INDICATED BY "SLING" LABELS ON HULL	
PROP DIAMETER & PITCH	<b>2 BLADE</b>	
YANMAR 4JH2HTE (62 H.P.)	N/A	
YANMAR 4JH2(B)E	18" X 15 R.H.(457.2mm X 381mm)	
YANMAR 4JH2T(B)E	18" X 16 R.H.(457.2mm X 406.4mm)	
YANMAR 4JH2HTE (76 H.P.)	<b>3 BLADE</b>	
YANMAR 4JH2(B)E	18" X 17 R.H.(457.2mm X 431.8mm)	
YANMAR 4JH2T(B)E	18" X 14 R.H.(457.2mm X 355.6mm)	
YANMAR 4JH2T(B)E	18" X 15 R.H.(457.2mm X 381mm)	



This document contains information for which HUNTER MARINE CORP. has proprietary rights.

<b>P420 DECK HARDWARE LAYOUT</b>	
DRAWING NO.	3808038
REVISED NO.	NONE
DATE	6/30/98
ENGINEERING DEPT.	

**HUNTER**

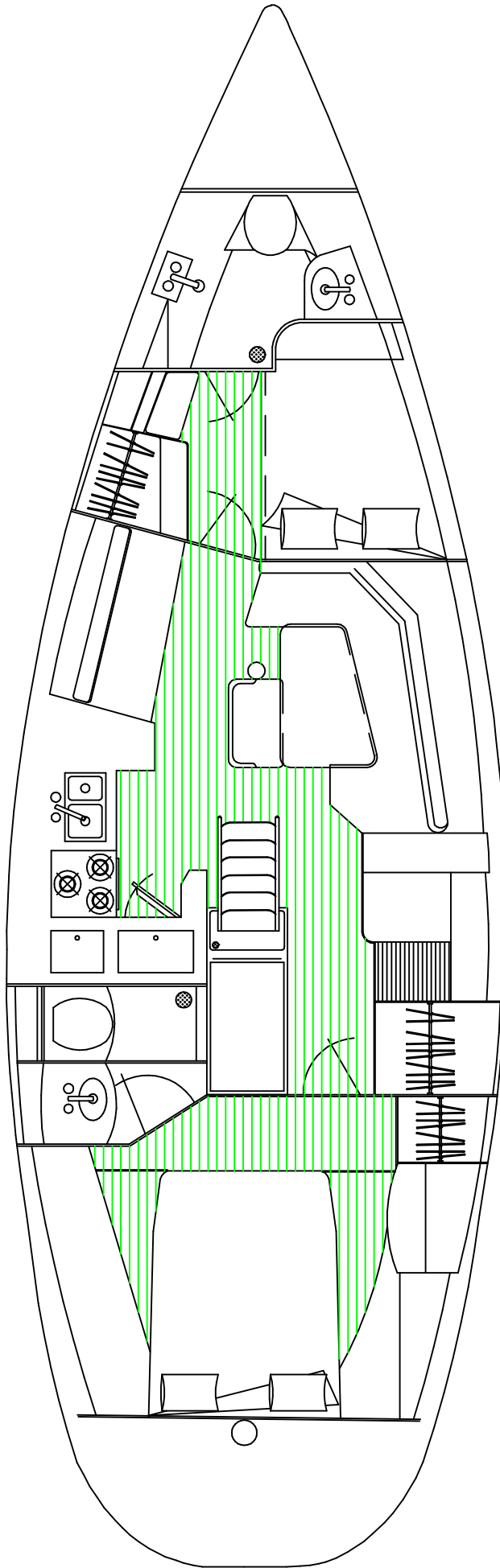
## HUNTER P420 DECK HARDWARE LIST

	GEN.DESCR.	LOC. & TYPE	VENDOR	MDL/NAME/#	#REQ.	H.P #	DWG #
1	HATCH	FWD.HEAD	LEWMAR	COAST S-60	1	PR4580	
4	HATCH	AFT S/R (AFT END)	LEWMAR	COAST41	4	PR4527	
5	HATCH	AFT S/R (AFT END)	LEWMAR	COAST S-70	1	HW0087	
6	HATCH	HOUSE SIDE	LEWMAR	PORTLIGHT 05	2	HW0008	
8	PORTLIGHT	HULL SIDE			2	PX0298	
9	BIN DOOR	PORT SIDE ABOVE SEAT			1	PLO189	
10	WINDLASS	ANCHOR LKR.	HORIZON	1500GD	1	PR4532	
11	BOW ROLLER	BOW			1	PR4500	4462044A
12	MAST STEP	MID DECK	Z SPAR		1	R10554	
13	MAINSHEET TRAV BAR	ON ARCH	HARKEN		1	HW0351	
	END CAPS	" "	" "	631NP	2	HW0343	
	TRAVELER CAR	" "	" "		1	HW0340	
	TRAV. CAR BLOCK	" "	" "	504-A	1	HW0344	
	BOOM BLOCK	" "	" "	1586	1	HW0345	
	CONTROL BLOCKS	" "	" "	566	2	HW0053	
	STAND UP SHEAVES	" "	SCHAEFFER	506-40	4	PR5108	
	CAM CLEATS	" "	HARKEN	365	2	HW0353	
14	WINCH	HALYARD	LEWMAR	COAST STD.44ST	1	HN2521	
15	WINCH	HALYARD-ELEC.	LEWMAR	COAST 48EST	1	HN2573	
16	WINCH	COCKPIT / JIB SHEET	LEWMAR	COAST STD.44ST	2	HN2521	
18	SHEETSTOPPER	PORT (QUAD)	SPINNLOCK	QUAD XT/4	1		
19	GRAB RAIL	FWD. TRUNK	75"		2	HW1700	
20	GRAB RAIL	AFT TRUNK	48"		2	HW2440	
22	SHORE PWR.	TRANSOM			1	LGO100	
23	CLEAT	AFT/MID/FWD RAIL /ANC. W	10"		6	HW0977	
24	CLEAT (FURL)	COCKPIT AREA	4"		1		
25	JIB TRACK	MID TRUNK					
26	DK. ORGANIZER (QUAD)	MID TRUNK (PORT)	HARKEN	1590	1		
27	LIFE LINES	ABOVE GUNNELS					
28	STANCHION	ALONG GUNNELS			8	PR4522	N/A
29	FWD GATE STANCH	PORT AND STARBOARD			2	PR4523	4462022A
30	AFT GATE STANCH	PORT AND STARBOARD			2	PR4570	4462023A
31	BOW RAIL				1	PR4571	4462024A
32	STERN RAIL				2	PR4572	4462041A
33	SWIM LADDER	STERN	WINDLINE	TLD-3X	1	PR4560	4462015A
34	CHAIN PLATE	UPPER SHROUD			2		
35	CHAIN PLATE	LOWER SHROUD			2	PR4566	4462020A
36	STRUTS	MAST			2	PR4567	4462034A
37	FILL PLATE	DIESEL			1	PL1126	4462037A
38	FILL PLATE	WATER			3	PL1130	
39	FILL PLATE	WASTE			2	PL1140	
40	SOLAR PANEL	ON SEA HOOD			1	EL1180	
41	STERN LIGHT				1	ELO390	
42	BOW LIGHT				1	ELO380	
43	WHEEL	WHITLOCK	36"		1	HW3278	
44	SPEAKERS	ON ARCH			2	EL 0101-A	
45	PEDESTAL	PEDESTAL	WHITLOCK		1		
46	SHIFT CONTROL	PEDESTAL			1	HW3572	N/A
47	ENGINE PANEL	ON ARCH			1		
48	LIGHT ON ARCH				1	ELO250	4465007A
49	EMERG.TILL ACCESS	TRANSOM			1	VC010004	
50	TRAVELER BLOCK	ARCH	HARKEN	504A	1		
51	MAINSHEET BLOCK	AFT END BOOM	HARKEN 1586				
53	VANG BLOCK		SCHAEFER	10-05-UC	1	HW0231	
54	VANG BLOCK		SCHAEFER	705-15	1	HW0296	
55	VANG BLOCK		SCHAEFER	10--55	1	HW0223	
56	TRANSOM LAZERETTE LID				2		
57	SEA HOOD	FORWARD OF COMPANIONWAY			1		N/A
58	COCKPIT LAZERETTE	PORT SIDE			1		N/A
59	ANCHOR HATCH	BOW			1	GLASS	N/A
60	ANCHOR LATCH	BOW			1	HW4481	N/A
61	STRIKER PLATE	ANCHOR LOCKER			1		
62	HINGE				8	HW4172	4462026A
63	CABIN SIDE WINDOW				2		
64	CABIN WINDSHIELD				2	PR4470	N/A
65	BILGE PUMP				1	PLO371	N/A

## HUNTER P420 DECK HARDWARE LIST

67	SHORE WATER				1	PL1175	
68	PADEYE		SCHAEFER	78-99	2		
70	DRAIN	AFT COCKPIT FLOOR			1	PR4520	
71	SWIM GRAB HANDLE	STERN			2	HN2404	N/A
72	WINDLASS CONTROLS	BOW UP			1	HW3206-C	
81	ARCH	ABOVE COCKPIT			1		
82	WIND SHIELD	ON DECK FWD OF COCKPIT			1		N/A
83	SPRING CLEAT GARD				2	HW2126	N/A
84	HATCH	CABIN SIDE	LEWMAR	PX0375	4	HW0043	
85	HATCH	COCKPIT	LEWMAR	PORTLIGHT 05	2	HW0008	
86	PORTLIGH	HULL SIDE	LEWMAR		1	PX0297	
87	HATCH	HULL SIDE	LEWMAR		3	HW0074	
88	COMPANIONWAY TRACK		HUNTER		2	301555	
89	SOLAR PANEL MOUNTING PLATE		ON SEA HOOD				4462027A
91	WINDSHIELD GRAB RAIL						
93	HINGE (TRANSOM LOCKER)	TRANSOM			4	119801	N/A
94	TRANSOM HATCH LATCH	TRANSOM			2	624735	
95	DK ORGANIZER (TRI)	STARBOARD	HARKEN	1501	1		
97	SHEET STOPPER	STARBOARD (TRI)	SPINLOCK	TRI XT/3	1		
<b>OPTIONAL GEAR</b>							
17	WINCH	COCKPIT / SPINN.SHEET	LEWMAR	COAST STD.50ST	2	HW2553	
18	SHEET STOPPER (QUAD)	STARBOARD	SPINLOCK	QUAD(XT/4)	1		
		REPLACES ITEM # 97					
66	INNER FORESTAY BASE		ABI	2140CH	1		
	INNER FORESTAY MOUNTING HDWR.						
69	FENDER HOLDER				2		
	<b>SPIN OPTION</b>						
75	SNATCH BLOCK	MID RAIL	SCHAEFER	11--99	2		
74	SPIN BLOCK	AFT RAIL	SCHAEFER	10--15	2		
90	SPIN. MAST BLOCK		Z-SPAR	PN294	1		
	<b>STAYSAIL OPTION</b>						
90	STAYSAIL MAST BLOCK		Z-SPAR	PN294	1		
96	DK ORGANIZER (SIX)	STARBOARD	HARKEN	1503	1		





This document discloses information for which HUNTER MARINE CORP. has proprietary rights.

**HUNTER**

**P420 ACCOMMODATION PLAN (STD)**

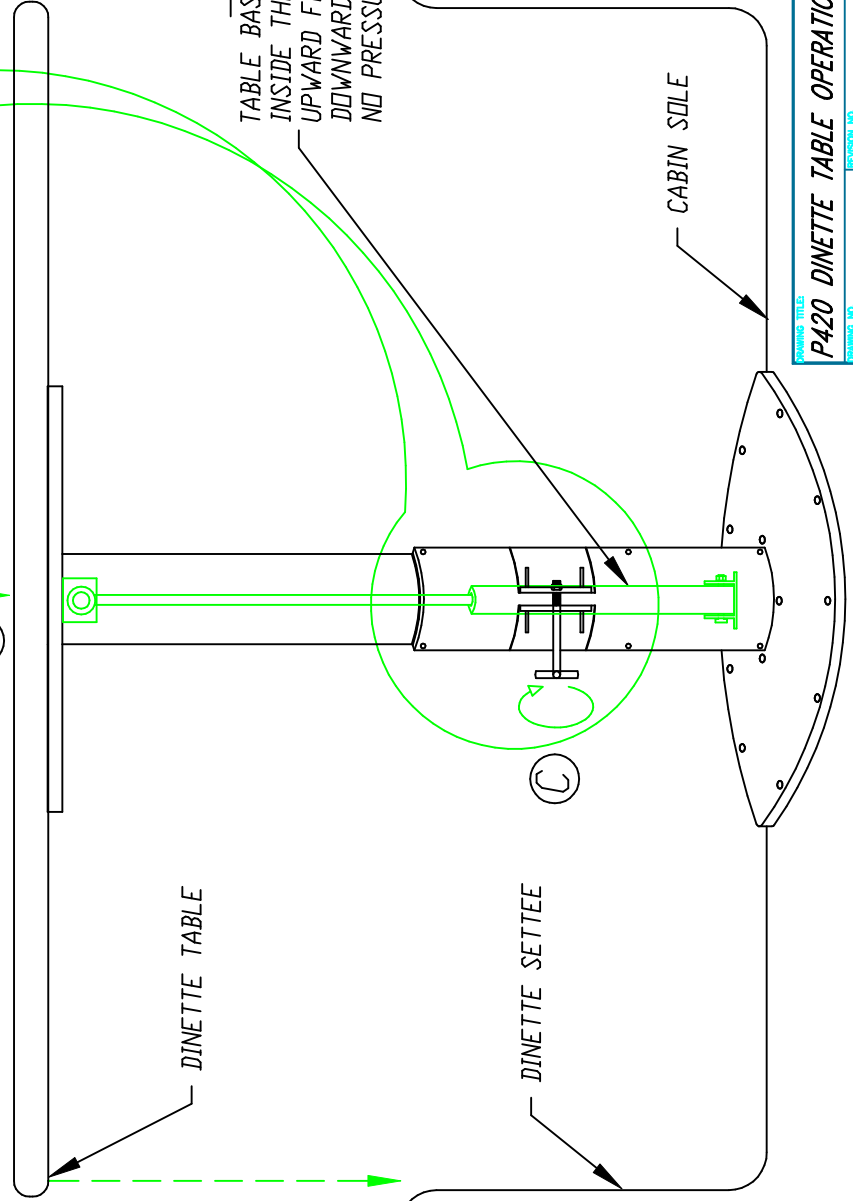
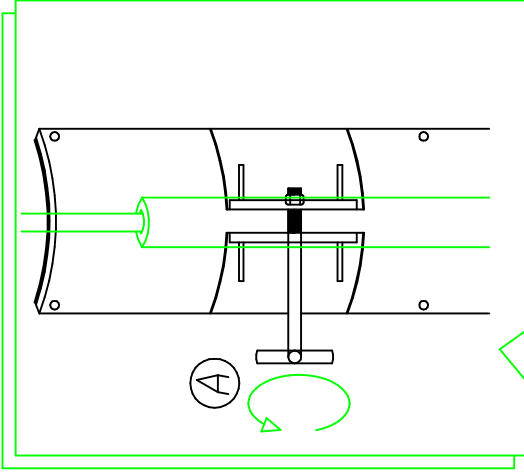
DRAWING NO.	4208041A	SCALE	NONE
ENGINEERING DEPT		DATE	7/21/98

EXAMPLE: TO LOWER

- Ⓐ LOOSEN CLAMP WITH COUNTER CLOCKWISE MOTION
- Ⓑ ADJUST TABLE SLOWLY UNTIL IT REACHES DESIRED POSITION AT THE CENTER OF THE TABLE, APPLY DOWNWARD PRESSURE UNTIL THE TABLE REACHES THE DESIRED HEIGHT.
- Ⓒ CONTINUE APPLYING PRESSURE WHILE RE-TIGHTENING THE CLAMP IN A CLOCKWISE MOTION
- Ⓓ SEE NOTE BELOW BEFORE ADJUSTING.

TO RAISE:

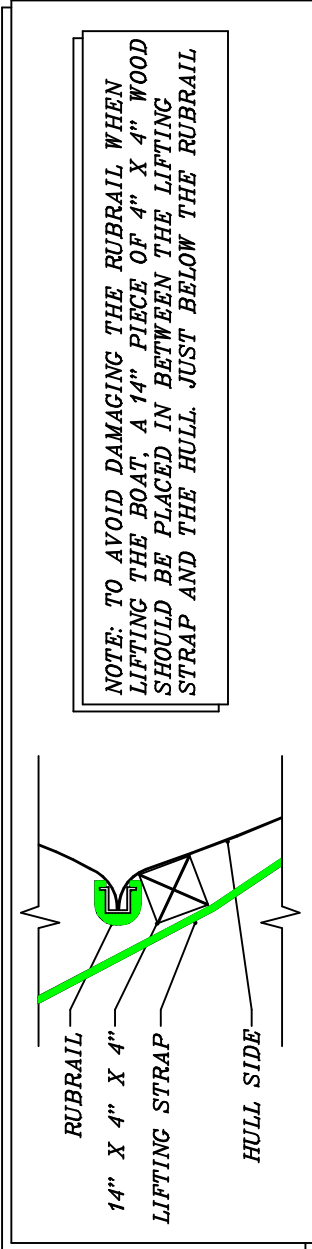
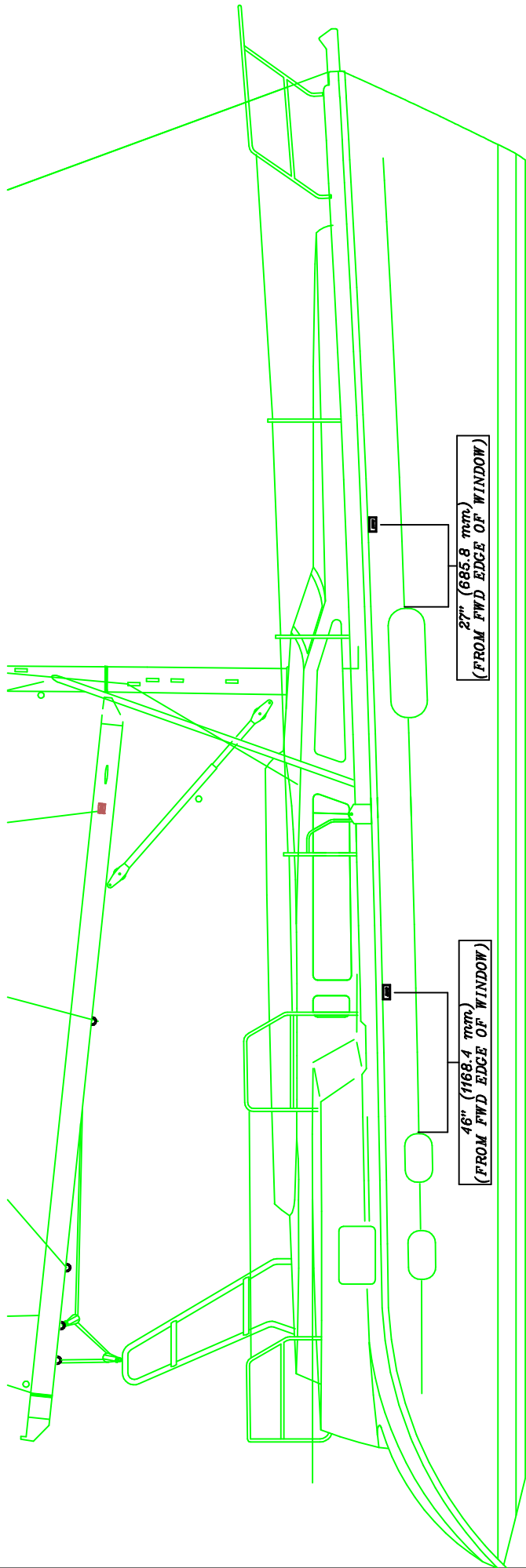
- A. LOOSEN CLAMP
- B. TABLE RAISES AUTOMATICALLY.
- C. RE-TIGHTEN THE CLAMP



Ⓓ

NOTE:

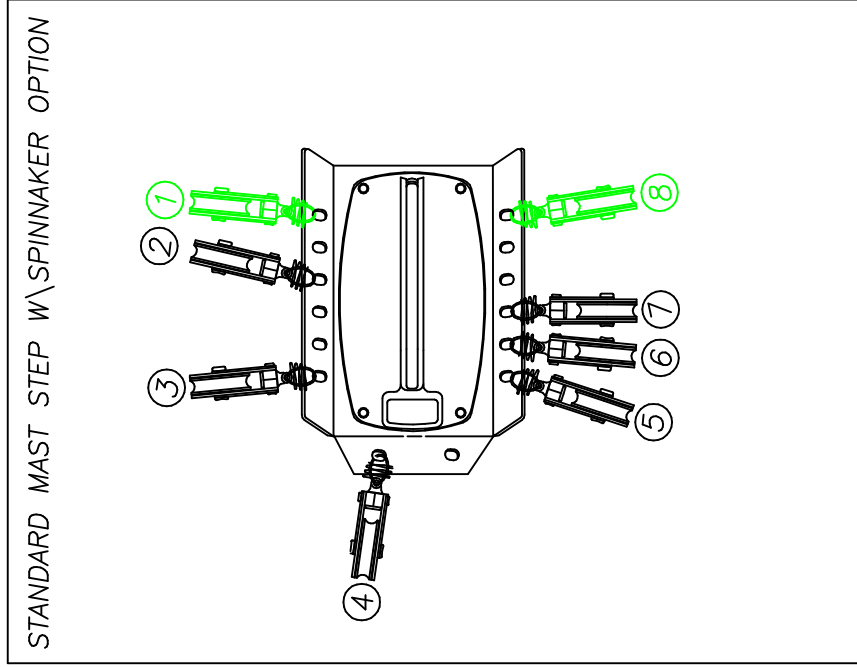
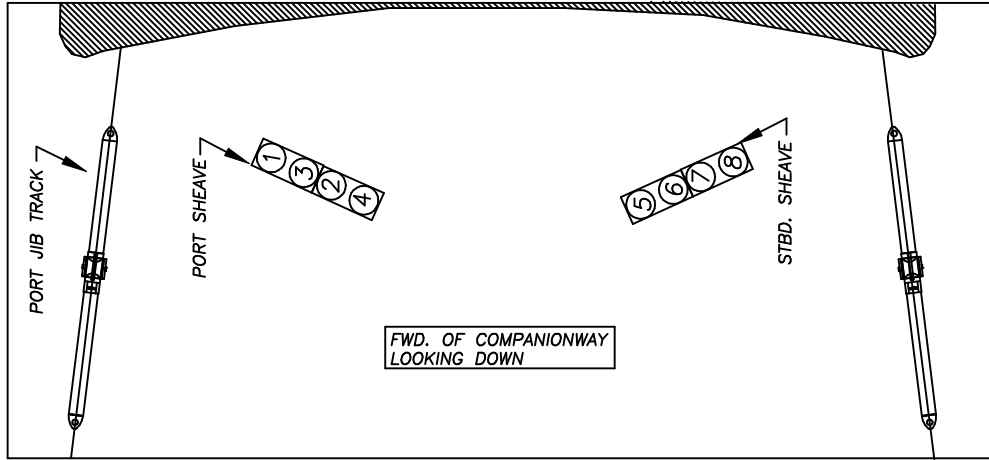
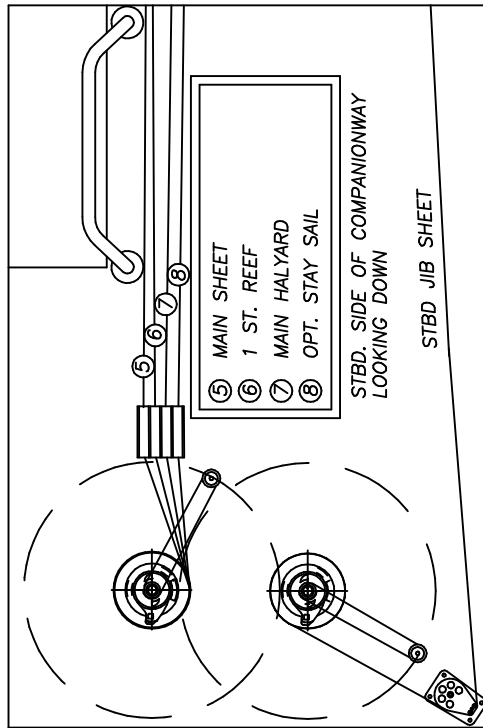
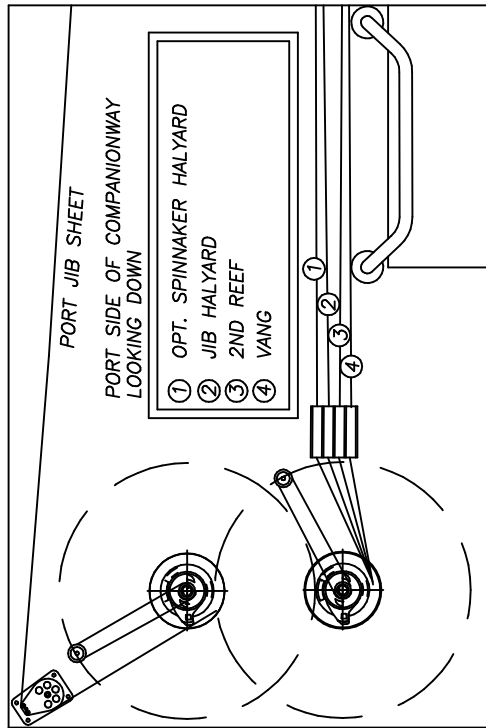
TABLE BASE FITTED WITH "GAS SHOCK"  
INSIDE THAT CONSTANTLY APPLIES AN  
UPWARD FORCE. TO LOWER, APPLY  
DOWNWARD PRESSURE. TO RAISE,  
NO PRESSURE OR LIFTING IS NEEDED.



**NOTE: TO AVOID DAMAGING THE RUBRAIL WHEN LIFTING THE BOAT, A 14" X 4" PIECE OF 4" X 4" WOOD SHOULD BE PLACED IN BETWEEN THE LIFTING STRAP AND THE HULL. JUST BELOW THE RUBRAIL**

**NOTE: BE AWARE OF THE STAINLESS STEEL RUB RAIL INSERT WHEN LIFTING THE BOAT.**

SELDEN STD. MAST STEP



NOTE:

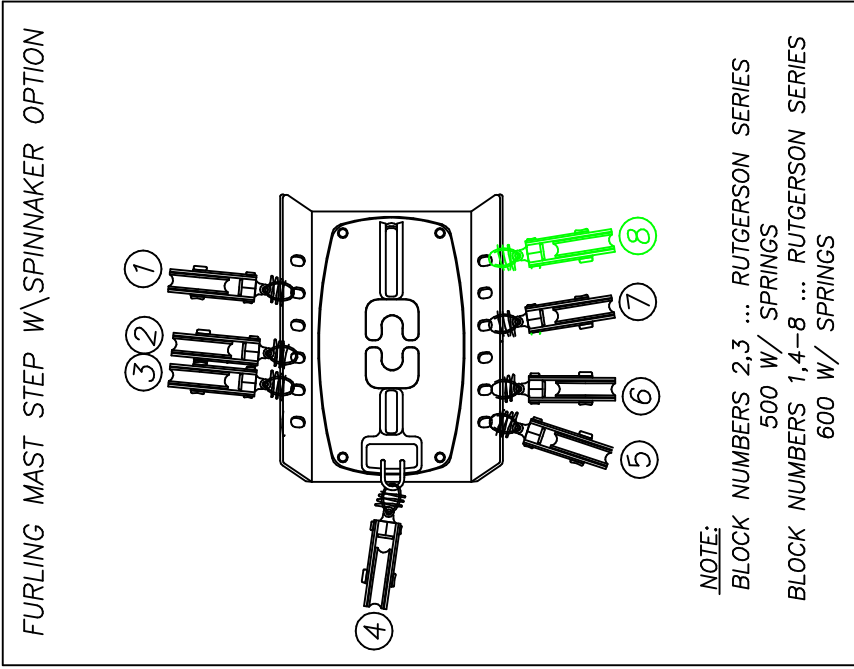
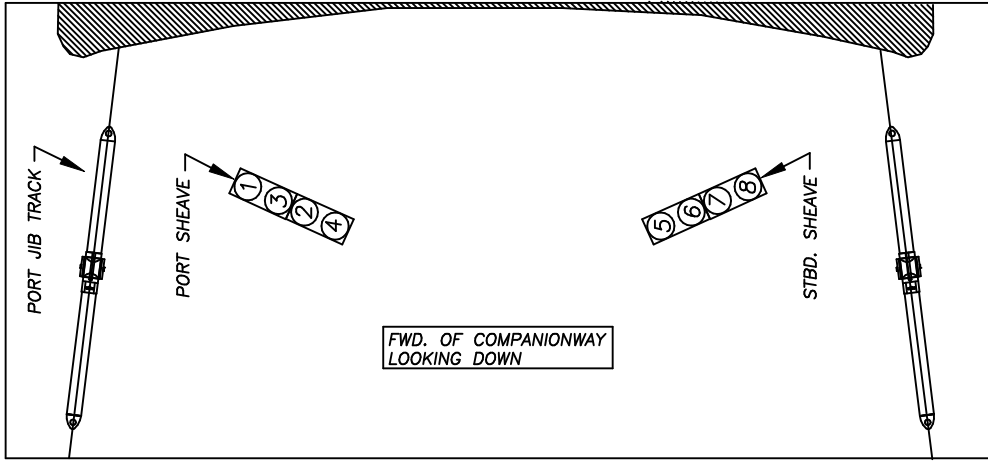
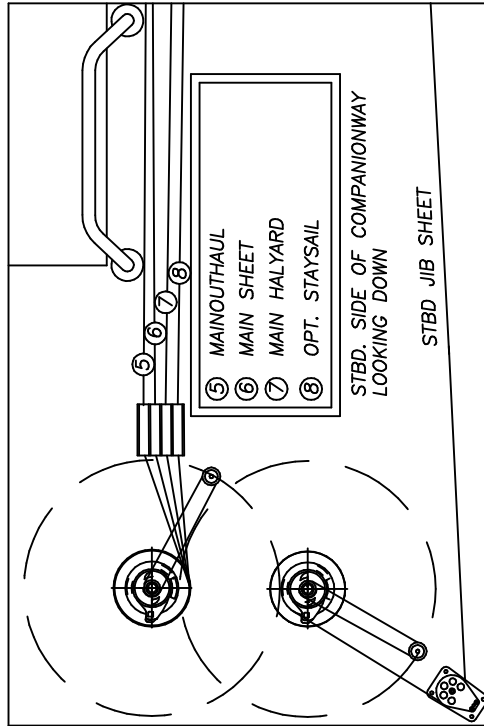
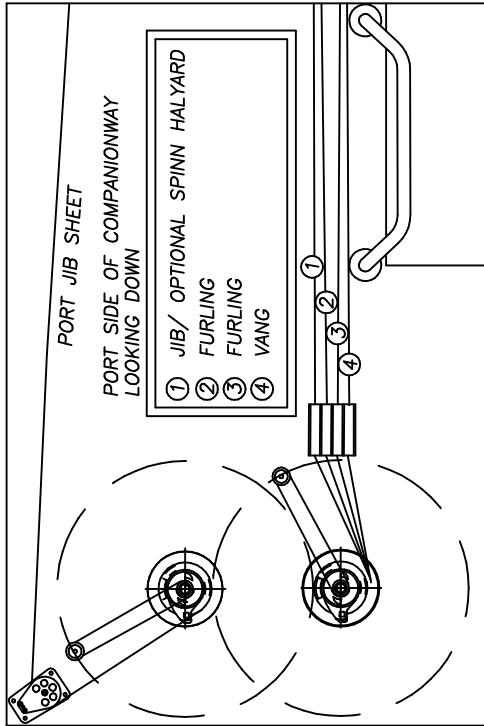
BLOCK NUMBER 4 ..... RUTGERSON SERIES 500 W/ SPRING  
 BLOCK NUMBERS 1-3, 5-8 .... RUTGERSON SERIES 600 W/ SPRINGS

Part number files  
 This document describes information for which HUNTER MARINE CORP. has proprietary rights.

**HUNTER**

P420 STD. RUN. RIG & MAST STEP DETAIL	
REVISED BY 420B042A-1	REVISION NO. NONE
ENGINEERING DEPT.	DATE 2/11/98

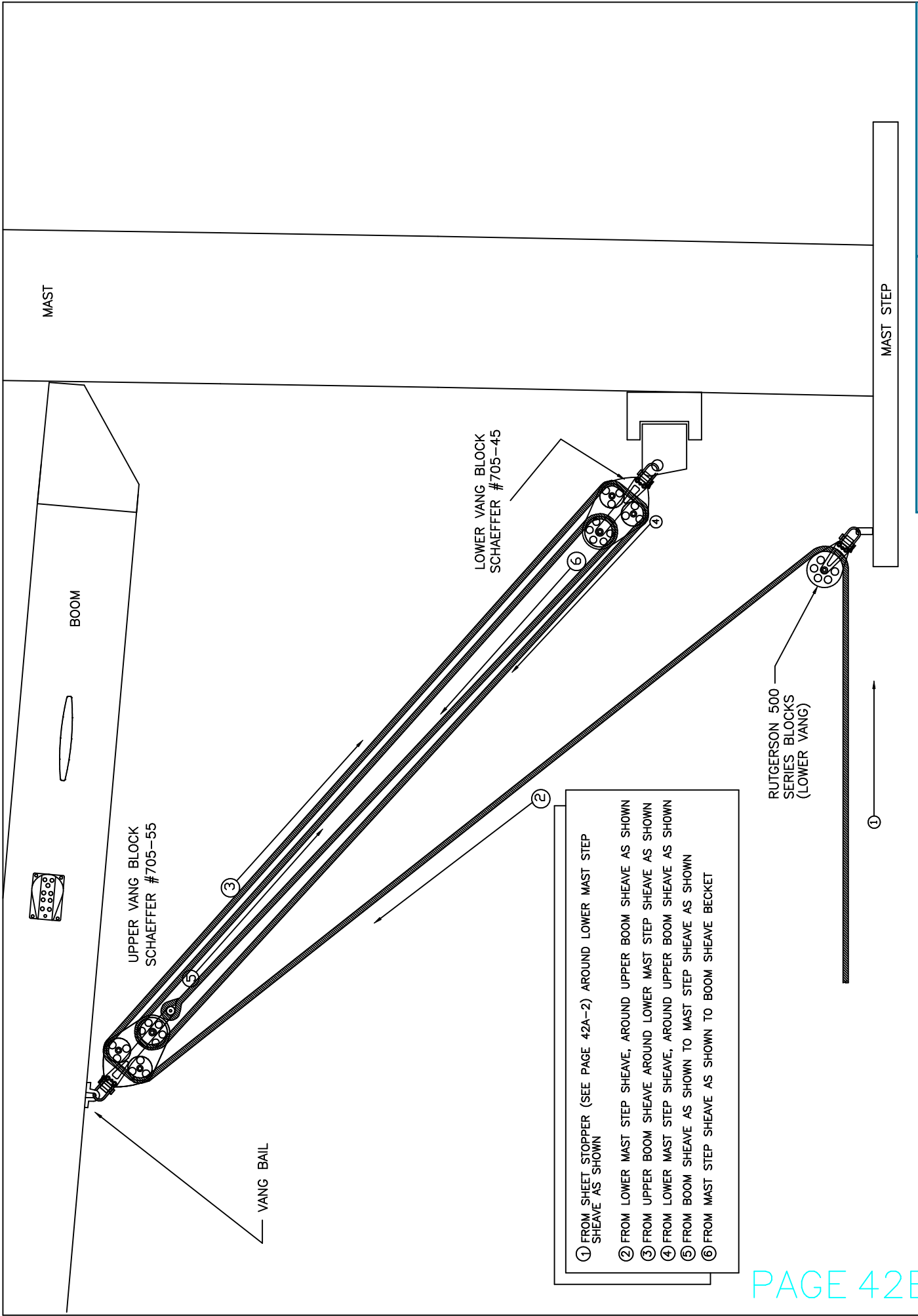
SELDEN FURLIN' MAST STEP



This document describes information for which HUNTER MARINE CORP. has proprietary rights.

P420 RUN. RIG & MAST STEP DETAIL (FURLING)			
DESIGN NO.	4208042A-2	REVISION NO.	NONE
ENGINEERING DEPT.		DATE	2/11/98





- ① FROM SHEET STOPPER (SEE PAGE 42A-2) AROUND LOWER MAST STEP SHEAVE AS SHOWN
- ② FROM LOWER MAST STEP SHEAVE, AROUND UPPER BOOM SHEAVE AS SHOWN
- ③ FROM UPPER BOOM SHEAVE AROUND LOWER MAST STEP SHEAVE AS SHOWN
- ④ FROM LOWER MAST STEP SHEAVE, AROUND UPPER BOOM SHEAVE AS SHOWN
- ⑤ FROM BOOM SHEAVE AS SHOWN TO MAST STEP SHEAVE AS SHOWN
- ⑥ FROM MAST STEP SHEAVE AS SHOWN TO BOOM SHEAVE BECKET

THIS DOCUMENT PROVIDES INFORMATION FOR WHICH HUNTER MARINE CORP. ASSUMES NO LIABILITY.

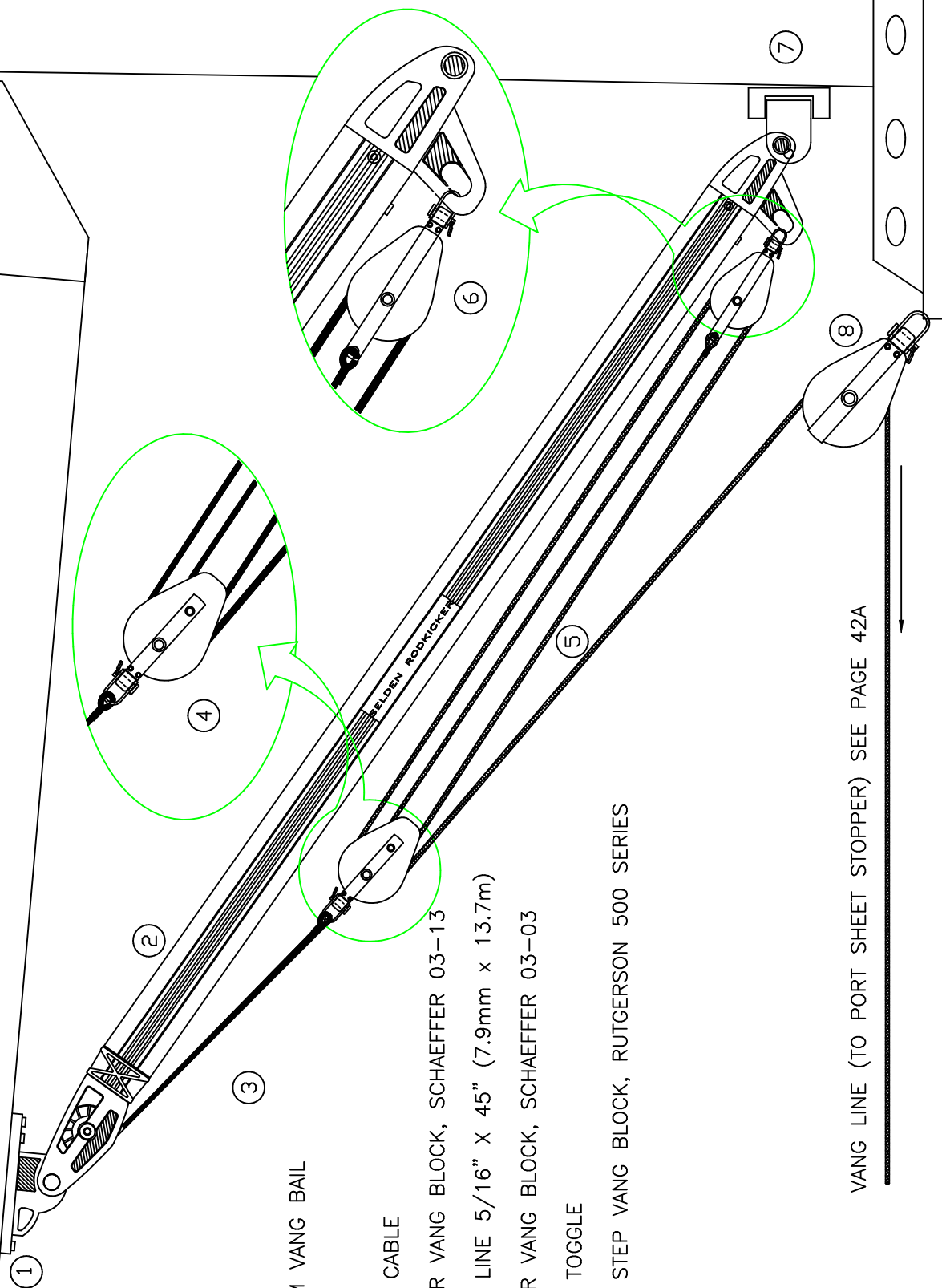
**P420 VANG DETAILS (STANDARD)**

REVISED NO.	4208042B-1	DESIGNER NO.	NONE
DATE	6/28/97	ENGINEERING DEPT.	



MAST

BOOM



- ① BOOM VANG BAIL
- ② VANG
- ③ VANG CABLE
- ④ UPPER VANG BLOCK, SCHAEFFER 03-13
- ⑤ VANG LINE 5/16" X 45" (7.9mm x 13.7m)
- ⑥ LOWER VANG BLOCK, SCHAEFFER 03-03
- ⑦ VANG TOGGLE
- ⑧ MAST STEP VANG BLOCK, RUTGERSON 500 SERIES

VANG LINE (TO PORT SHEET STOPPER) SEE PAGE 42A

FOR VANG DETAILS SEE FOLOWING PAGES

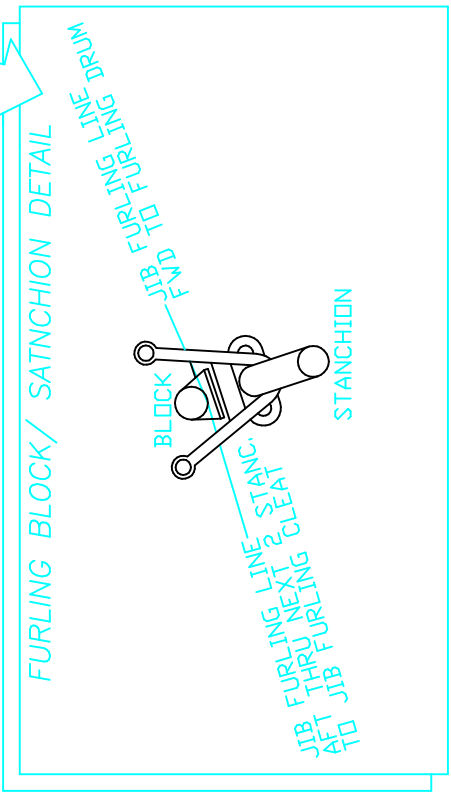
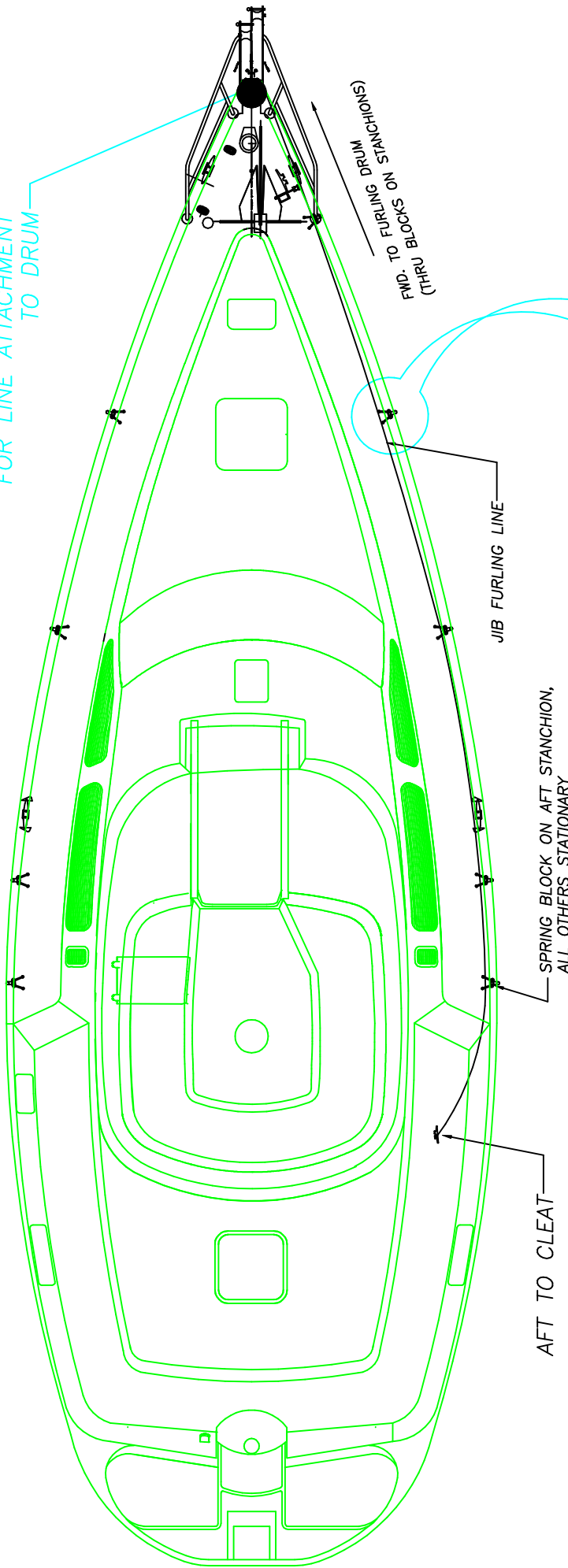
PROJECT FILE: P420 RIGID VANG DETAILS (FURLING/OPT.)

DESIGNER NO.	4208042B-2	DATE	2/12/98
REVISION NO.	NONE	ENGINEERING DEPT.	

For document release information for this HUNTER MARINE CORP. has proprietary rights.



SEE FURLING MANUAL  
FOR LINE ATTACHMENT  
TO DRUM



JIB FURLING SYSTEM

This document describes information for which HUNTER MARINE CORP. has proprietary rights.

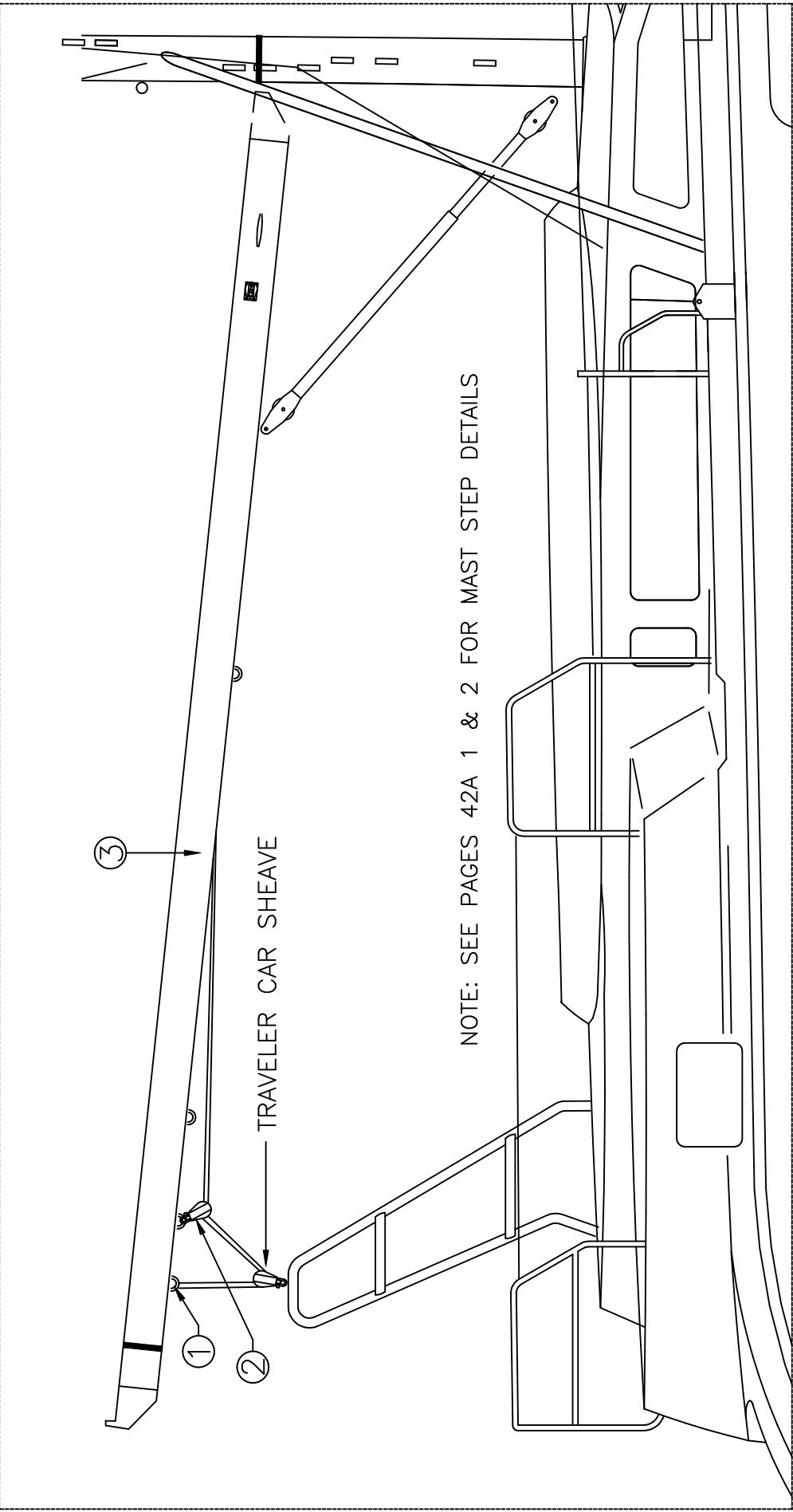


P420 JIB FURLING LINES LAYOUT	
4208042C	NONRE
ENGINEERING DEPT.	2/12/98




- STANDARD MAINSHEET PURCHASE (ENDBOOM)
- ① BAIL, MAINSHEET END
  - ② BAIL, MAINSHEET BLOCK
  - ③ EXIT, MAINSHEET

NOTE:  
SEE PAGE 43C FOR ENDBOOM TRAVELER DETAILS

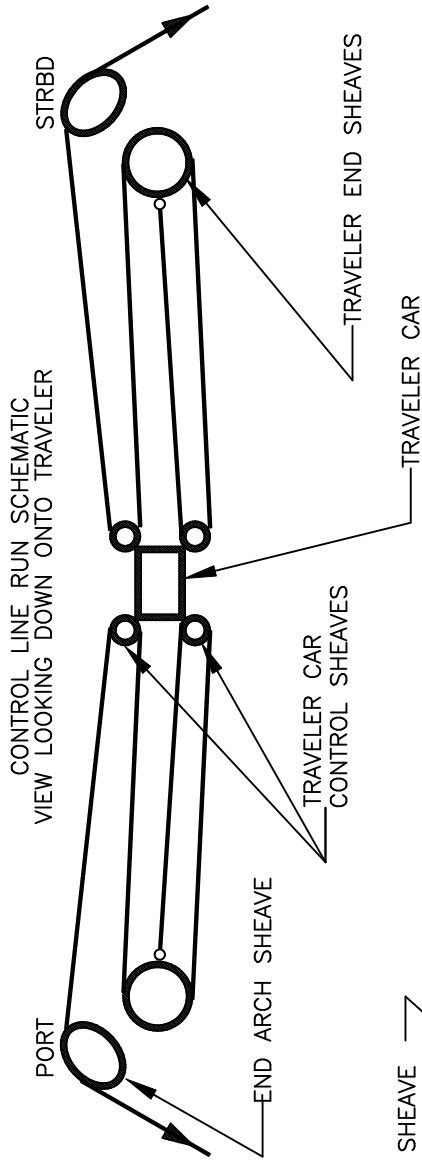


NOTE: SEE PAGES 42A 1 & 2 FOR MAST STEP DETAILS

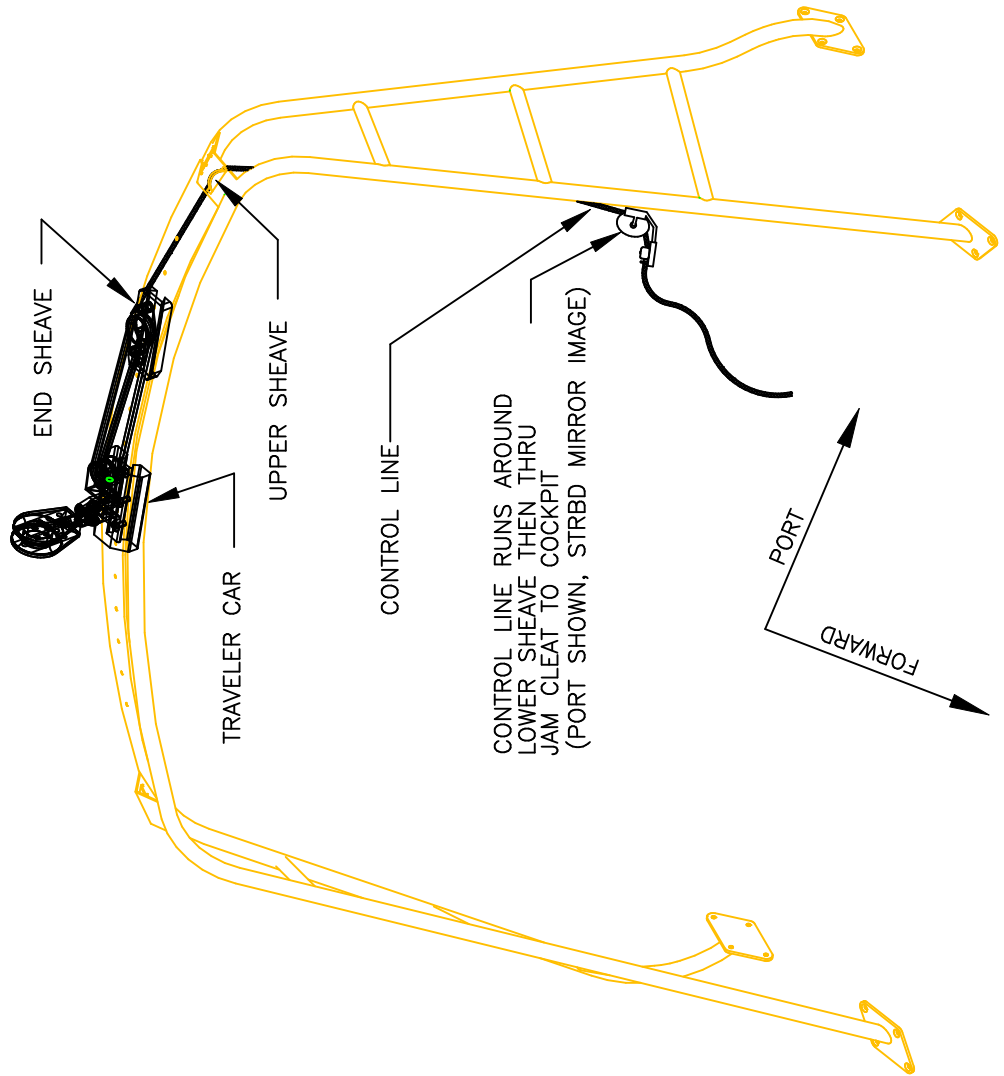
FOR MORE INFO  
**P420 MAINSHEET PURCHASE (STD)**  
ISSUE NO. 4208043A REVISED NO. NONE DATE 5/28/98  
ENGINEERING DEPT.



This document contains information for which HUNTERA MARINE CORP. has proprietary rights.

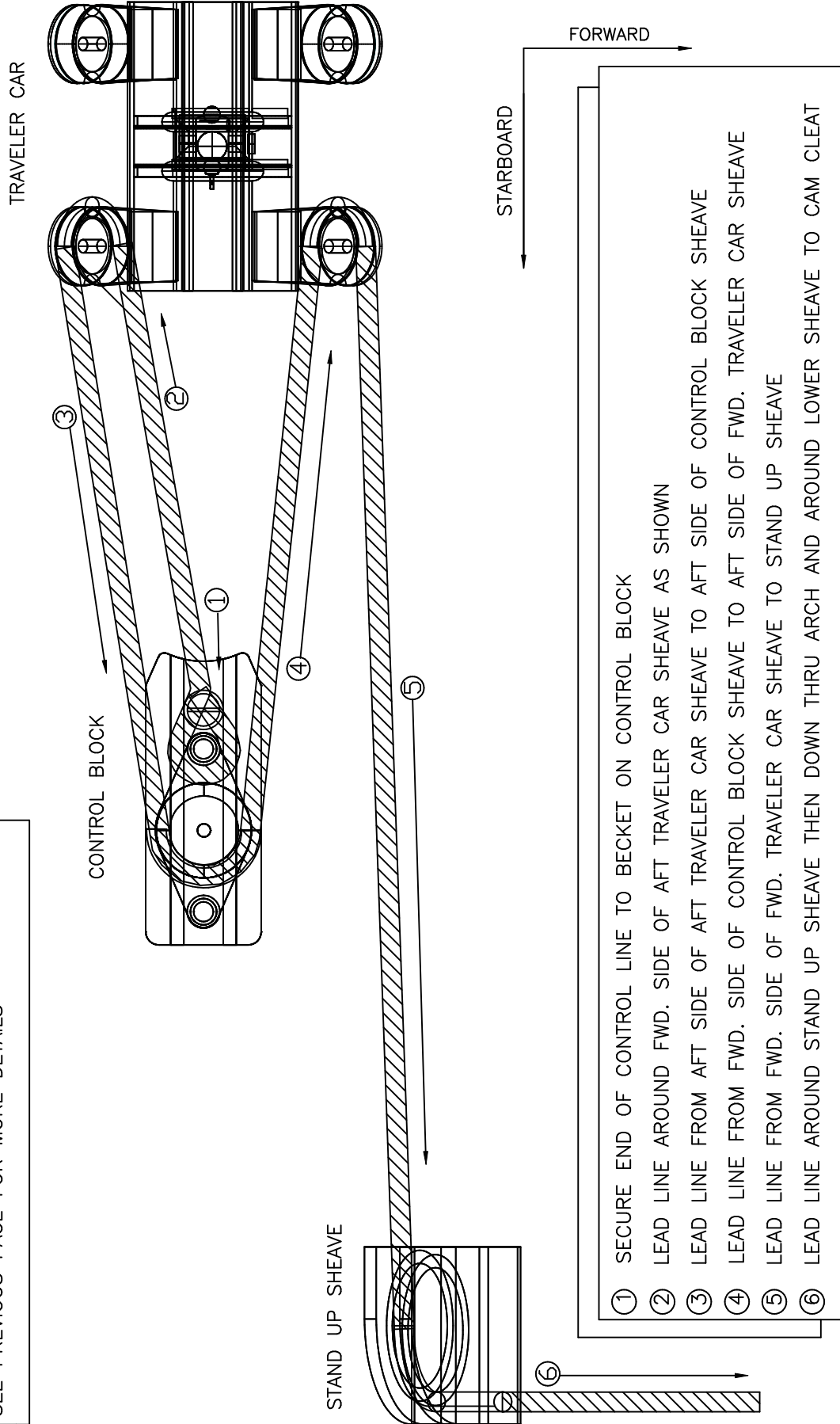


SEE PAGE 43A FOR  
MAIN SHEET LINE RUNS

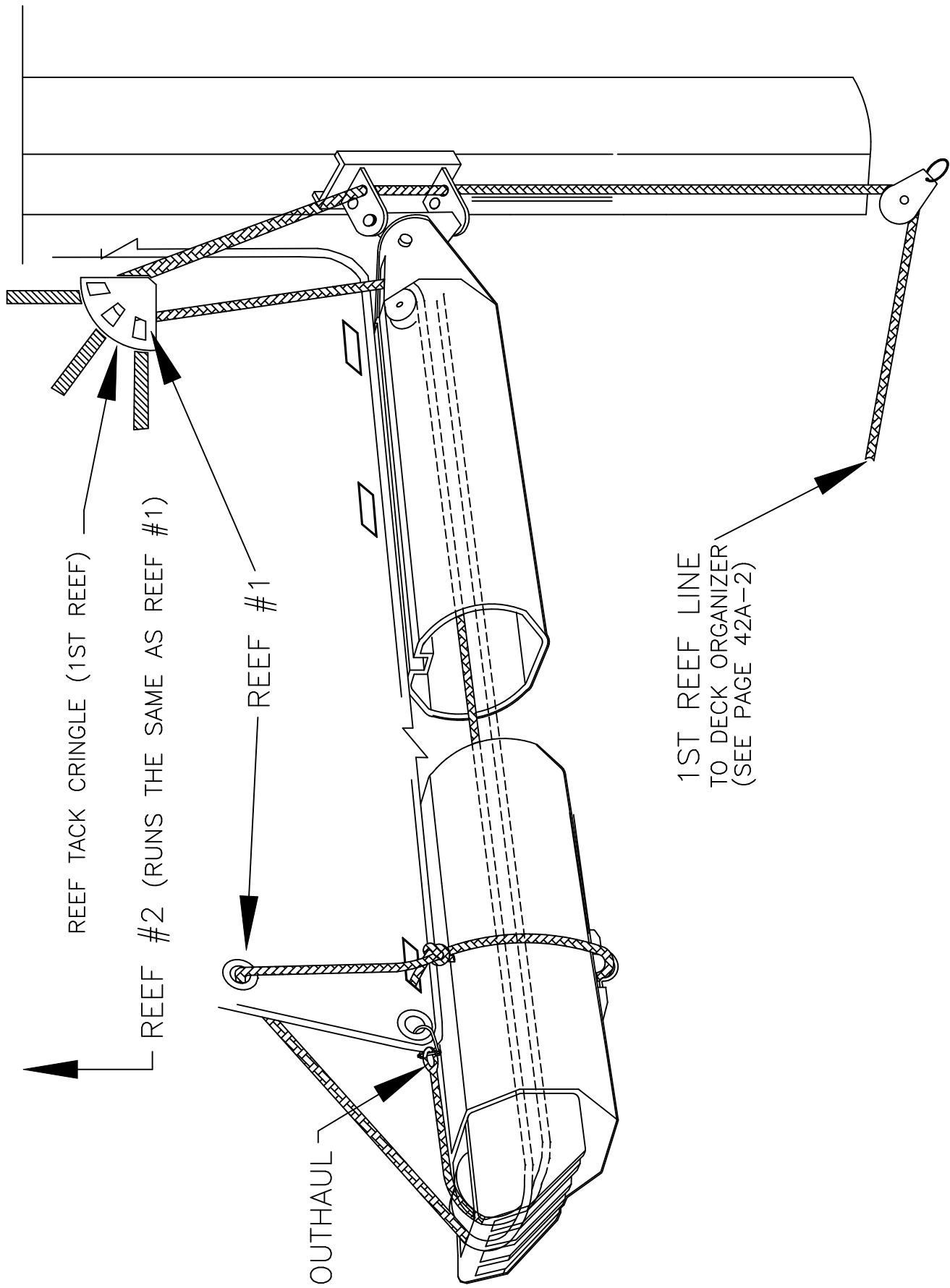


DESIGN NO.	4208043B	REVISION NO.	NONE
DATE	2/12/98	ENGINEERING DEPT.	

NOTE: ARCH & TRAVELER BAR NOT SHOWN FOR CLARITY. STARBOARD SIDE SHOWN, PORT SIDE IS MIRROR IMAGE SEE PREVIOUS PAGE FOR MORE DETAILS



- ① SECURE END OF CONTROL LINE TO BECKET ON CONTROL BLOCK
- ② LEAD LINE AROUND FWD. SIDE OF AFT TRAVELER CAR SHEAVE AS SHOWN
- ③ LEAD LINE FROM AFT SIDE OF AFT TRAVELER CAR SHEAVE TO AFT SIDE OF CONTROL BLOCK SHEAVE
- ④ LEAD LINE FROM FWD. SIDE OF CONTROL BLOCK SHEAVE TO AFT SIDE OF FWD. TRAVELER CAR SHEAVE
- ⑤ LEAD LINE FROM FWD. SIDE OF FWD. TRAVELER CAR SHEAVE TO STAND UP SHEAVE
- ⑥ LEAD LINE AROUND STAND UP SHEAVE THEN DOWN THRU ARCH AND AROUND LOWER SHEAVE TO CAM CLEAT



This document describes information for which HUNTER MARINE CORP. has proprietary rights.

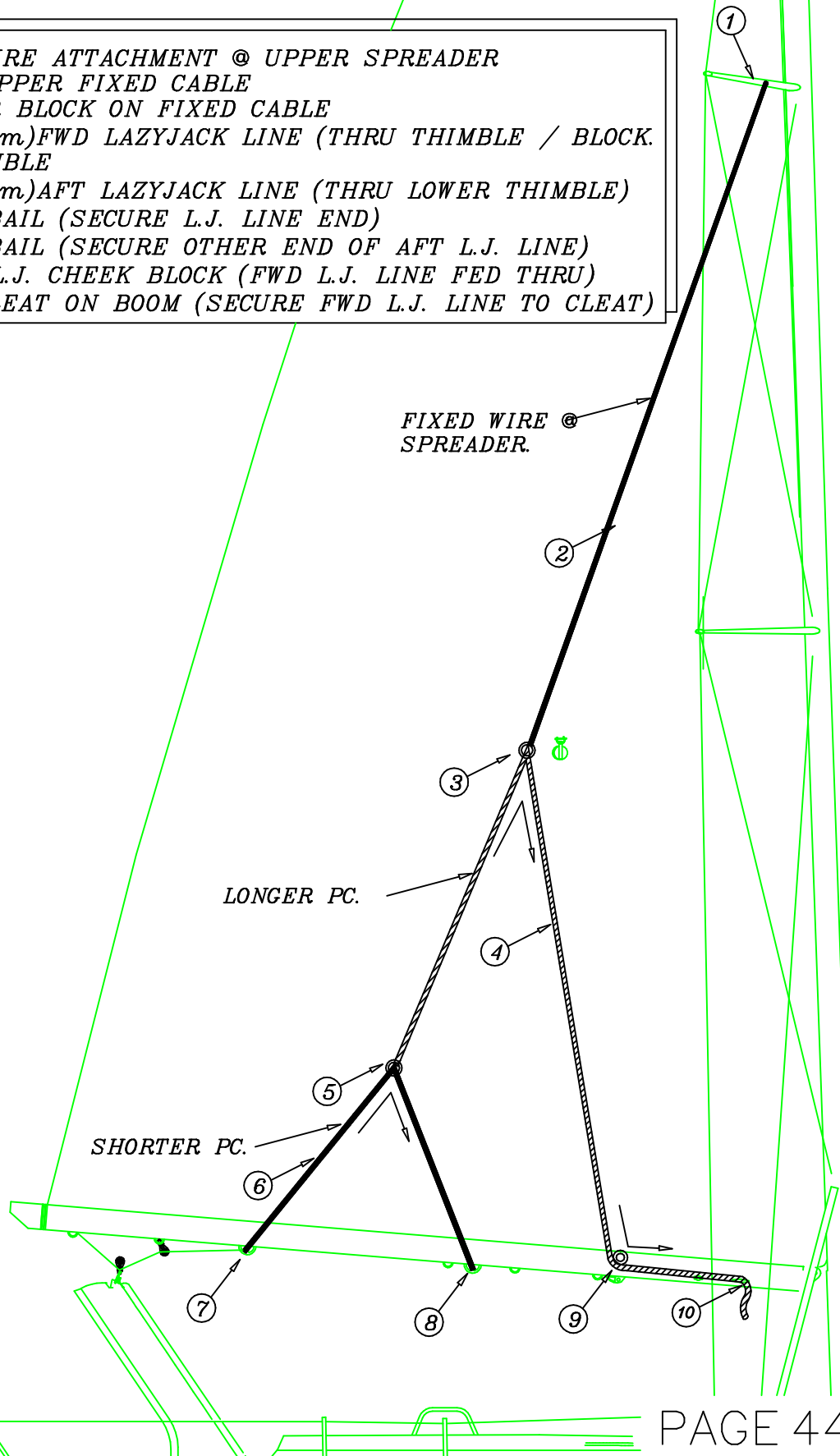


**P420 BOOM AND REEF LAYOUT**

REVISED NO.	4208044A	EXTENSION NO.	NONE
DATE		DATE	2/12/98
ENGINEERING DEPT.			

# P420

1. LAZYJACK WIRE ATTACHMENT @ UPPER SPREADER
2. LAZYJACK UPPER FIXED CABLE
3. THIMBLE OR BLOCK ON FIXED CABLE
4. 5/16" (7.9mm) FWD LAZYJACK LINE (THRU THIMBLE / BLOCK)
5. LOWER THIMBLE
6. 5/16" (7.9mm) AFT LAZYJACK LINE (THRU LOWER THIMBLE)
7. AFT BOOM BAIL (SECURE L.J. LINE END)
8. MID BOOM BAIL (SECURE OTHER END OF AFT L.J. LINE)
9. FWD BOOM L.J. CHEEK BLOCK (FWD L.J. LINE FED THRU)
10. LAZYJACK CLEAT ON BOOM (SECURE FWD L.J. LINE TO CLEAT)



This document describes information for which HUNTER MARINE CORP. has proprietary rights.

# HUNTER

P420 LAZY JACKS INSTALLATION INSTRUCTIONS	
SCALE	NONE
DRAWING NO.	4208044B
DATE	5/14/99
ENGINEERING DEPT	

# REEFING INSTRUCTIONS

1. SHACKLE TACK REEF BLOCKS TO FIRST AND SECOND REEF TACK CRINGLES.
2. RUN BOTH REEFING LINES AS ILLUSTRATED IN THE BOOM & REEF LAYOUT. BOTH PORTIONS OF THE REEFING LINE LEADING TO THE REEF TACK BLOCK MUST RUN THROUGH THE GOOSE NECK ON THE FRONT OF THE SPAR. THE SHORTER REEF LINE WILL BE USED ON THE FIRST REEF (STARBOARD SIDE, GREEN) THE LONGER REEF LINE ON THE SECOND REEF (PORT SIDE, RED.)
3. RAISE THE MAIN SAIL.
4. EASE THE MAINSHEET AND VANG.
5. LOWER THE MAIN SAIL TO APPROXIMATELY THE FIRST REEF POSITION.
6. TAKE UP THE SLACK IN THE FIRST REEF LINE UNTIL THE TACK AND THE CLEW ARE DOWN TO ABOUT 2" ABOVE THE BOOM.
7. ADJUST THE MAIN HALYARD SO THAT THE TACK REEF BLOCK IS NOT CONTACTING THE GOOSE NECK ON THE FRONT OF THE SPAR AND IS APPLYING TENSION TO THE LUFF OF THE MAIN ABOVE THE REEF, NOT BELOW. THERE WILL BE AP-

PROXIMATELY 6" (150mm) OF STRETCH IN THE MAIN LUFF AND MAIN HALYARD WHEN THE REEFING LINE IS TENSIONED, SO MAKE SURE THAT THIS IS ALLOWED FOR WHEN ADJUSTING THE MAIN HALYARD TO LOCATE THE TACK REEF BLOCK.

8. ALSO, TENSION THE REEF LINE WITH THE APPROPRIATE SELF-TAILING WINCH UNTIL THE CLEW REEF CRINGLE IS BROUGHT DOWN TO THE BOOM.
9. CONFIRM THAT THE TACK REEF BLOCK IS STILL CLEAR OF THE TACK SHACKLE AND THAT ONLY THE MAIN LUFF ABOVE THE REEF CRINGLE IS TENSIONED, NOT THE LUFF BETWEEN THE CRINGLE AND THE TOP STACKED SAIL SLIDE. EASE THE REEF LINE AND READJUST THE HALYARD IF NECESSARY.
10. MARK THE HALYARD AT THE STOPPER WITH A 1" (25mm) SINGLE BAND OF INDELIBLE MARKER INK. BY DROPPING THE HALYARD TO THIS MARK EVERY TIME A REEF IS REQUIRED THE HALYARD IS AUTOMATICALLY IN THE CORRECT POSITION FOR THE REEF.
11. REPEAT THE PROCEDURE FOR THE SECOND REEF, USING DOUBLE BANDS TO MARK THE HALYARD IN THE CORRECT POSITION.

## REEFING PROCEDURE

1. HEAD UP INTO THE WIND.
  2. EASE THE MAINSHEET AND VANG.
  3. CHECK THE TOPPING LIFT FOR ADEQUATE BOOM SUPPORT.
  4. LOWER THE MAIN HALYARD TO THE APPROPRIATE MARK, AND SNUB THE LINE WITH THE STOPPER.
  5. TENSION THE REEFING LINE WITH THE SELF-TAILING WINCH UNTIL THE REEF CLEW IS BROUGHT DOWN TO THE BOOM. APPLY STOPPER AND TENSION THE MAIN HALYARD BACK UP. EASE THE TOPPING LIFT. (IF NEEDED)
- ## SHAKING OUT A REEF
1. HEAD UP INTO THE WIND.
  2. EASE THE MAINSHEET AND VANG. TENSION TO TOPPING LIFT. (IF NEEDED)
  3. RELEASE THE REEF STOPPER AND REMOVE REEF LINE FROM WINCH.
  4. TENSION THE MAIN HALYARD TO RAISE SAIL, MAKING SURE REEF LINES RUN FREELY WHILE SAIL IS BEING RAISED. APPLY STOPPER TO MAIN HALYARD.
  5. RE-TENSION VANG AND MAINSHEET. EASE THE TOPPING LIFT. (IF NEEDED)

**RUNNING RIGGING SPECIFICATIONS**

BOAT: HUNTER 420	FILE NAME: REVISION: added boom topping lift 8/28/98
BY: KJC	DATE: 7/24/98
CHECKED BY:	DATE:

OPT/STD	ITEM	QUANTITY	LINE SIZE	LINE TYPE	COLOR	END 1	LENGTH	END 2
1 STD	MAIN HALYARD	1	7/16" (11mm)	XLS EXTRA	BLUE	HEADBOARD SHACKLE	36.1 m 118 ft	BARE
2 STD	JIB HALYARD	1	7/16" (11mm)	XLS EXTRA	RED	EYE	35.9 m 118 ft	BARE
3 STD	MAIN TRAVELER LINE	2	5/16" (8mm)	LS	WHITE	SMALL EYE	7.9 m 26 ft	BARE
4 STD	MAINSHEET	1	1/2" (12.5mm)	XLS	BLUE FLECK	SMALL EYE	24.3 m 80 ft	BARE
5 STD	REEFING LINE #1	1	7/16" (11mm)	LS	GREEN FLECK	BARE	22.9 m 75 ft	BARE
6 STD	REEFING LINE #2	1	7/16" (11mm)	LS	RED FLECK	BARE	32.7 m 107 ft	BARE
7 STD	JIB SHEET	2	1/2" (12.5mm)	LS	RED FLECK	BARE	12.2 m 40 ft	BARE
8 OPT	CRUISING SPINN. SHEET	2	7/16" (11mm)	LS	BLACK FLECK	BARE	28.0 m 92 ft	BARE
9 OPT	SPINNAKER HALYARD	1	7/16" (11mm)	XLS	BLACK	SNAP SHACKLE NF1 1000s	35.9 m 118 ft	BARE
10 OPT	STAYSAIL HALYARD	1	7/16" (11mm)	XLS	GREEN	SNAP SHACKLE NF1 1000s	29.0 m 95 ft	BARE
11 STD	VANG	1	7/16" (11mm)	LS	WHITE	SMALL EYE	15.2 m 50 ft	BARE
12 OPT	STAYSAIL SHEETS	2	7/16" (11mm)	LS	GREEN FLECK	BARE	10.9 m 36 ft	BARE
13 STD	BOOM TOPPING LIFT	1	3/8" (9.5mm)	LS	WHITE	BARE	33.2 m 109 ft	EYE
14 STD	LAZY JACK WIRE	2	1/8" (3.2mm)	PLASTIC COATED 7x7	WHITE	EYE & THIMBLE, SMALL SHACKLE	5.5 m 18 ft	EYE & THIMBLE, HARKEN 125 OR
15 STD	FIXED LAZY JACK LINE	2	3/8" (9.5mm)	LS	WHITE	BARE	6.3 m 21 ft	BARE
16 STD	ADJUSTABLE LAZY JACK LINE	2	3/8" (9.5mm)	LS	WHITE	SS THIMBLE SPLICED	8.5 m 28 ft	BARE

**FURLING MAST RUNNING RIGGING SPECIFICATIONS**

BOAT: HUNTER 420      FILE NAME: 420 SELDEN RUNNING      REVISION:      REMOVE MAIN HALYARD 9/2/98  
 BY: KJC      DATE: 2/6/98

OPT/STD	ITEM	QUANTITY	LINE SIZE	LINE TYPE	COLOR	END 1	LENGTH	END 2
1 STD	JIB HALYARD	1	7/16" (11mm)	XLS EXTRA	RED	EYE	35.9 m	118 ft BARE
2 STD	MAIN TRAVELER LINE	2	5/16" (8mm)	LS	WHITE	SMALL EYE	7.9 m	26 ft BARE
3 STD	MAINSHEET	1	1/2" (12.5mm)	LS	BLUE FLECK	SMALL EYE	24.4 m	80 ft BARE
4 STD	BOOM TOPPING LIFT	1	3/8" (9.5mm)	LS	WHITE	BARE	30.5 m	100 ft BARE
5 STD	JIB SHEET	2	1/2" (12.5mm)	LS	RED FLECK	BARE	12.1 m	40 ft BARE
6 OPT	CRUISING SPINN. SHEET	2	7/16" (11mm)	LS	BLACK FLECK	BARE	30.9 m	101 ft BARE
7 OPT	SPINNAKER HALYARD	1	7/16" (11mm)	XLS	BLACK	SNAP SHACKLE NF11000s	35.9 m	118 ft BARE
8 STD	MAIN FURLING LINE	1	3/8" (9.5mm)	LS	BLUE	BARE	13.4 m	44 ft BARE
9 OPT	STAYSAIL HALYARD	1	7/16" (11mm)	XLS	GREEN	SNAP SHACKLE NF11000s	28.9 m	95 ft BARE
10 OPT	STAYSAIL SHEETS	2	7/16" (11mm)	LS	GREEN FLECK	BARE	10.9 m	36 ft BARE



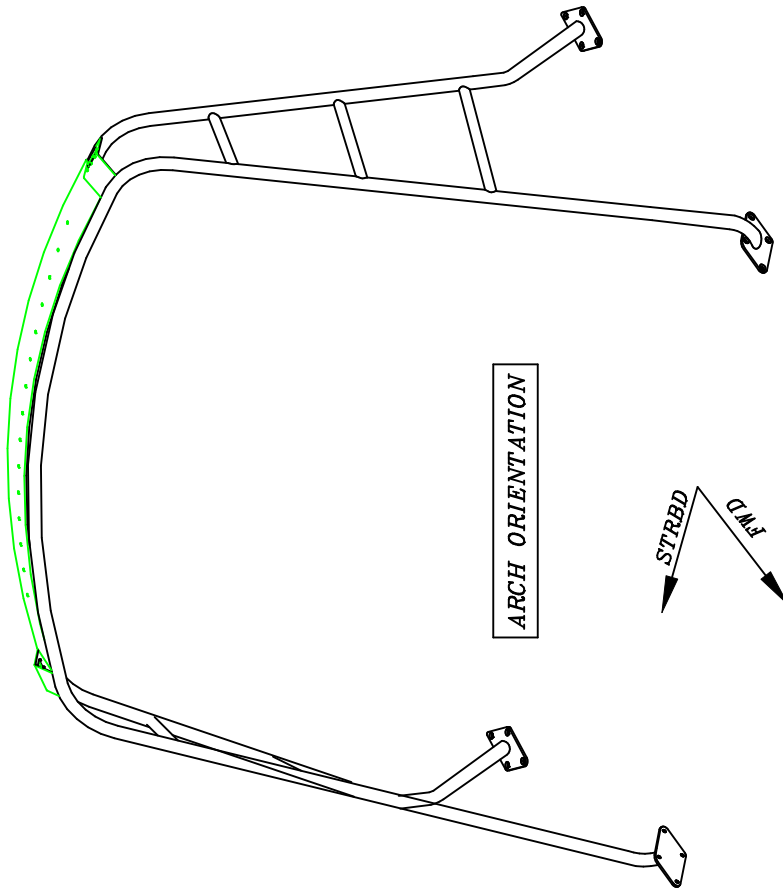
ARCH INSTALLATION: NOTES AND TOOL LIST

NOTES:

1. **IMPORTANT: COMPLETELY READ ALL OF THE INSTALLATION INSTRUCTIONS BEFORE BEGINNING.**
2. **THIS JOB REQUIRES THREE PEOPLE. IT IS IMPORTANT THAT THE ARCH CONTINUE BEING SUPPORTED ONCE IT HAS BEEN SET IN PLACE, UNTIL BEING FULLY SECURED TO THE DECK.**
3. **WHEN INSTALLING ARCH: TO AVOID POSSIBLE INJURY, ORIENT THE DIRECTION OF THE ARCH (LEANING AFT) PRIOR TO BEGINNING THE INSTALLATION PROCESS.**
4. **SEE BELOW FOR A LIST OF TOOLS SUGGESTED FOR THE INSTALLATION PROCESS**
5. **IMPORTANT: REMEMBER TO CHECK ALL THE ARCH BOLTS / NUTS AFTER THE INITIAL SEA TRIAL AND RETIGHTEN AS NECESSARY**

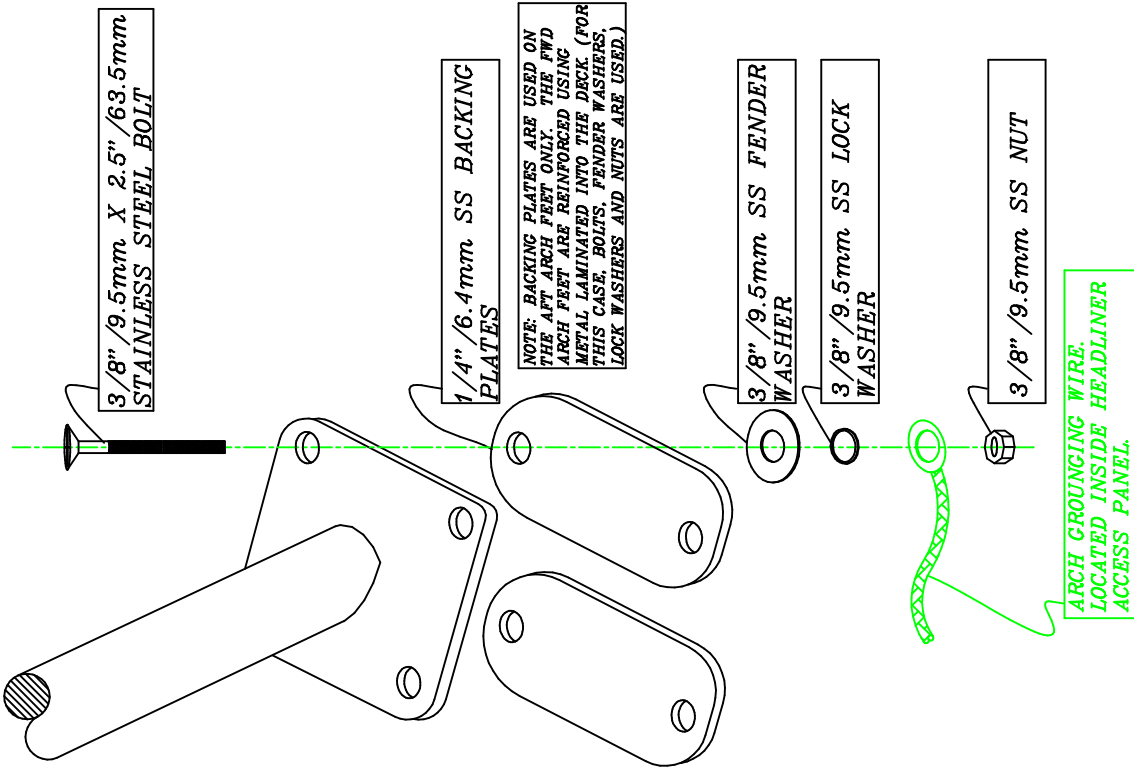
SUGGESTED TOOL LIST:

- 3/8" DRIVE RATCHET
- 6" EXTENSION
- 9/16" DEEP & REGULAR SOCKET
- 9/16" WRENCH
- SCREW DRIVER-- PHILLIPS HEAD
- RATCHET STRAP
- CAULK GUN
- TUBE OF SEALANT (3M 5200)
- NEVER SEIZE (BOLT LUBE)
- RAZOR KNIFE
- RAGS
- ALCOHOL / CLEAN UP



1. REMOVE ALL ACCESSORIES STOWED IN THE COCKPIT LOCKERS. THIS WILL ALLOW EASIER ACCESS TO FASTEN THE ARCH BOLTS.
2. REMOVE ANY SEALANT IN THE ARCH PRE DRILLED HOLES.
3. CLEAN AROUND THE MOUNTING HOLES USING ALCOHOL.
4. APPLY A GENEROUS AMOUNT OF 3M 5200 SEALANT AT THE ARCH MOUNTING FOOT DECK MOUNTING HOLE LOCATIONS.
5. TO AVOID POSSIBLE INJURY, ORIENT THE ARCH (LEANING AFT) PRIOR TO PLACING IT ON THE BOAT.
6. PLACE THE ARCH ON THE DECK OF THE BOAT. ALIGN THE FORWARD MOST ARCH FOOT HOLE WITH THE MATCHING PRE DRILLED FWD MOST DECK COAMING HOLE.
7. INSERT A (2.5"(63.5mm)) STAINLESS STEEL BOLT THRU THE FWD MOST ARCH FOOT INTO THE COAMING.
8. ACCESS THE UNDERSIDES OF THE DECK AT THE ARCH FOOT LOCATIONS AS FOLLOWS:  
STBD AFT: THRU ACCESS PANEL IN THE STBD SIDE AFT STATEROOM HEADLINER  
PORT AFT: THRU ACCESS PANEX IN THE PORT SIDE AFT STATEROOM HEADLINER  
STBD FWD: THRU STBD. SIDE COAMING LOCKER  
PORT FWD: THRU PORT SIDE COAMING LOCKER
9. INSTALL THE (1/4" (6.4mm)) BACKING PLATE ON THE INSIDE OF THE COAMING. THEN INSTALL THE S.S. WASHER, LOCK WASHER AND THE S.S. NUT AS WELL. (NOTE: THERE EXISTS CASES WHERE A BACKING PLATE IS NOT ABLE TO BE INSTALLED. IF THIS IS ENCOUNTERED, USE (1/4" 6.4mm)) S.S. FENDER WASHERS INSTEAD. (IT IS IMPORTANT TO APPLY A SMALL AMOUNT OF NEVER SEIZE TO THE BOLT TO PREVENT "GAULING" OF THE THREADS.)
10. COMPLETELY TIGHTEN THE FORWARD MOST BOLT.
11. REPEAT THIS PROCEDURE FOR THE REMAINING THREE FEET. INSERTING ONLY ONE BOLT AT FIRST AND COMPLETELY TIGHTENING IT DOWN STARTING WITH THE ARCH FOOT DIRECTLY ACROSS FROM THE BOLT ALREADY INSTALLED. REPEAT THIS FOR THE NEXT TWO.
12. NOTE: IT MAY BE NECESSARY TO USE A RATHEET STRAP TO "PULL" THE ARCH INTO ALIGNMENT WITH THE REMAINING MOUNTING HOLES.
13. INSERT THE REST OF THE S.S. FASTENERS INTO THE MOUNTING HOLES. INSTALL ALL THE S.S. BACKING PLATES, WASHERS AND NUTS FROM THE UNDERSIDE OF THE DECK (AT THIS TIME, BE SURE TO INSTALL THE ARCH GROUNDING WIRE, LOCATED IN THE HEADLINER ACCESS PANEL. SEE DIAGRAM FOR INSTALLATION DETAILS.)
14. RECHECK THE ARCH FIT ONTO THE DECK
15. SECURELY TIGHTEN ALL THE NUTS AND BOLTS USING A CROSS TIGHTENING PATTERN. (DO NOT FORGET TO USE A SMALL AMOUNT OF LUBRICANT FOR THE BOLTS).
16. CLEAN OFF THE EXCESS SEALANT AROUND THE ARCH FOOT AND COAMING AREAS USING ALCOHOL.
17. RECHECK THE BOLTS AFTER THE INITIAL SEA TRIAL AND TIGHTEN AS NECESSARY.
18. SEE FOLLOWING PAGE FOR INFO ON CONNECTING THE ARCH SPEAKER POD WIRING. (NOTE: REMEMBER TO CAULK AROUND THE ARCH SPEAKER WIRE EXIT HOLE IN THE DECK

### TYPICAL ARCH FOOT

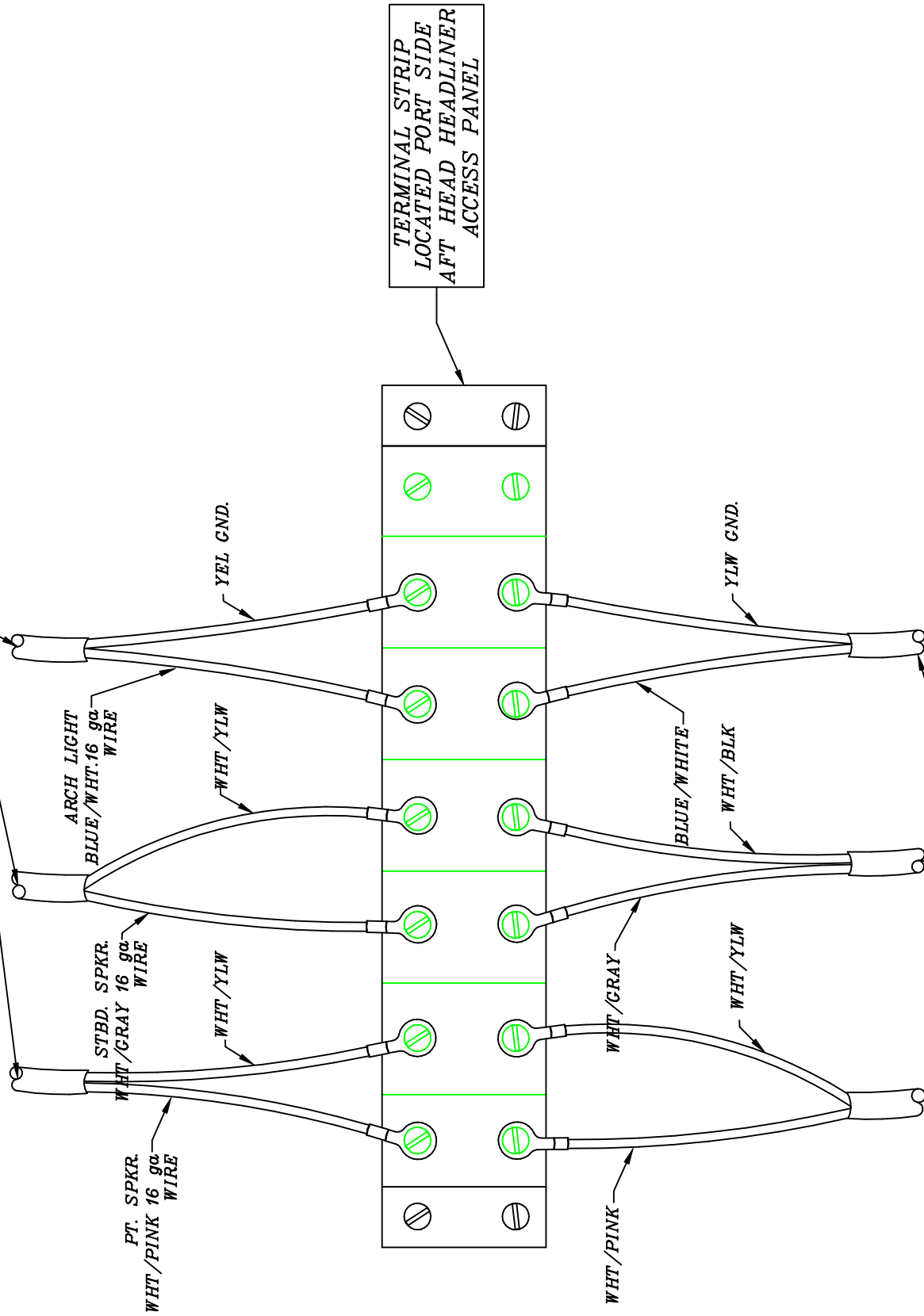


This document contains information for which HUNTER MARINE CORP. has proprietary rights.

**HUNTER**

<b>P420 ARCH INSTALLATION INSTRUCTIONS CONT</b>	
<small>FORMER FILE NO.</small>	<small>REVISION NO.</small>
4208046C-2	NONE
<small>ENGINEERING DEPT.</small>	<small>DATE</small>
	1/28/00

WIRES TO ARCH SPEAKERS  
AND ARCH LIGHT



TERMINAL STRIP  
LOCATED PORT SIDE  
AFT HEAD HEADLINER  
ACCESS PANEL

WIRES TO  
HEADLINER  
ALL 16 ga.

PROVIDE FILE: HUNTER WING TERMINAL STRIP SCHEMATIC  
This document describes information for which HUNTER WING CORP. has proprietary rights.

HUNTER

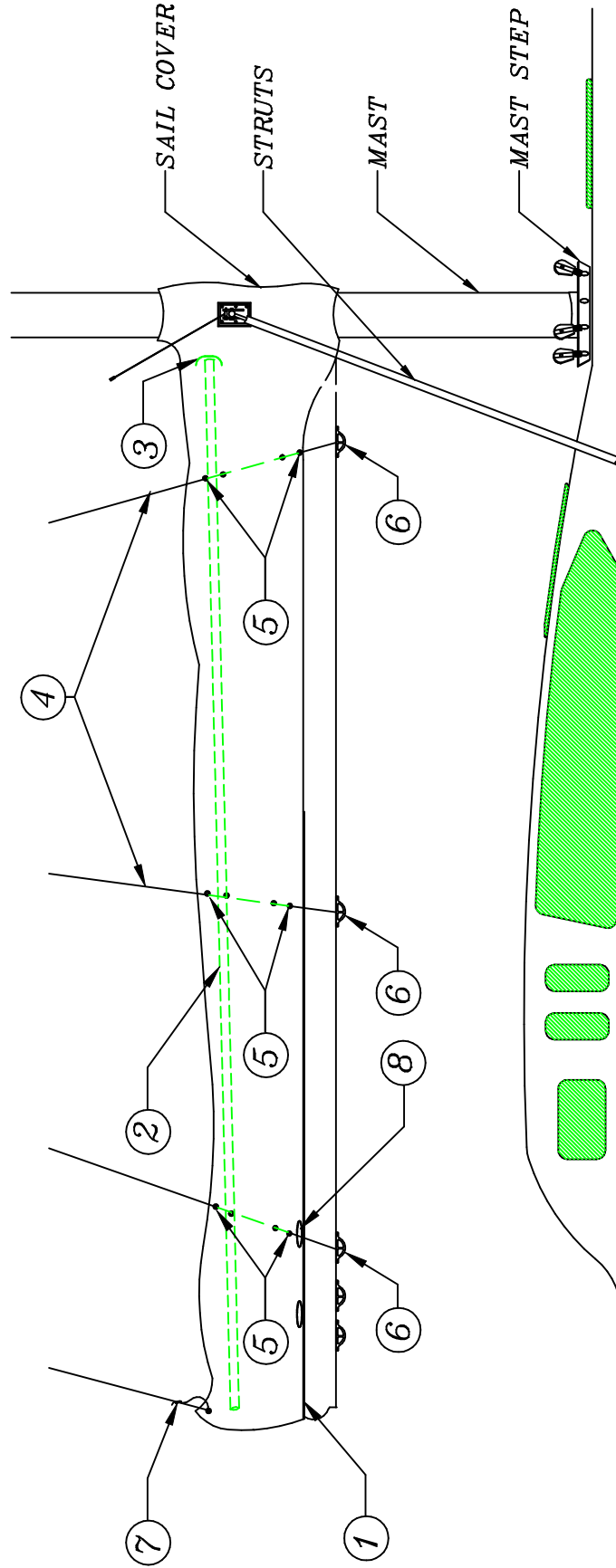
PROJECT NO.	4208046D	SCALE	NONE
ENGINEERING DEPT		DATE	1/28/00

SLIDE THE BOLTROPE ON THE TWO HALVES OF THE COVER INTO THE BOLTROPE TRACKS (1) ON BOTH SIDES OF THE BOOM. START FROM THE AFT END AND MAKE YOUR WAY FORWARD.

INSTALL THE PVC BATTENS (2) INTO EACH HALF OF THE SAIL COVER. THERE ARE POCKETS (3) THAT OPEN TOWARDS THE FRONT, ON THE INSIDE OF THE COVER. SLIDE THE BATTENS INTO PLACE FROM THE FRONT, AND ROLL THE INSIDE LIP OF THE POCKET BACK IN ORDER TO HOLD THE BATTENS STATIONARY.

FEED THE LAZYJACK LINES (4) DOWN THROUGH THE GROMMETS/RINGS (5) IN THE SAIL COVER, STARTING AT THE TOP AND COMING OUT AT THE BOTTOM OF THE COVER. DEAD END THE LINES TO THE BAILS ON THE UNDERSIDE OF THE BOOM (6).

TIE THE AFT END OF THE SAIL COVER UP TO THE TOPPING LIFT LINE USING THE PIECE OF STRING PROVIDED (7). USE HALF HITCH KNOTS TO SECURE THE COVER IN PLACE AT THE OUTER END OF THE BOOM. THE REEF LINES RUN OUT THROUGH THE COVER SLOTS (8) AND TIE OFF.



SAIL COVER ONLY OFFERED ON STANDARD MAST BOATS

PRINTER FILE: P420 HUNTER LAZYJACK SAIL COVER  
This document describes information for which HUNTER MARINE CORP. has proprietary rights.

DESIGN NO.	4208046E	SCALE	NONE
ENGINEERING DEPT		DATE	3/11/99

# HUNTER

---

## P420 B&R RIG WITH STRUTS DESCRIPTION

---

The B&R rig, utilized on the Hunter P420, eliminates the need for a backstay to allow for a more efficient mainsail shape. Fixed backstays are commonly being designed out of today's performance-oriented boats to allow the mainsail to incorporate a full roach design - a more aerodynamic shape both for racing and cruising performance.

To accomplish this, the B&R rig has 30 degree swept spreaders, creating 120 degrees between each rigging point. This tri-pod arrangement has excellent strength for sailboat rigs, and has been used for years to support huge radio towers.

The latest advancement to the B&R rig is the addition of mast struts. These struts stabilize the lower section of the mast, allowing compression loads to be spread, reducing the point loading at the mast base. They also create a strong point for the boom and spinnaker pole loadings. The struts function also allow us to use a smaller mast section reducing weight aloft to decrease the heeling and pitching moments, making for a more comfortable ride. Additionally, they provide a secure handhold when going forward.

The struts perform an important structural function, **therefore never sail your boat without the struts properly fitted.** If your P420 is equipped with the in-mast furling option, the mast is a larger section size and the struts are not utilized.

Additional support is given to the B&R rig (and is unique to it) with the addition of reverse diagonal rigging. For example, the diagonals that you see beginning by the top of the mast strut, ending at the tip of the spreader, supports and stabilizes the lower section of the mast as it creates a triangle with

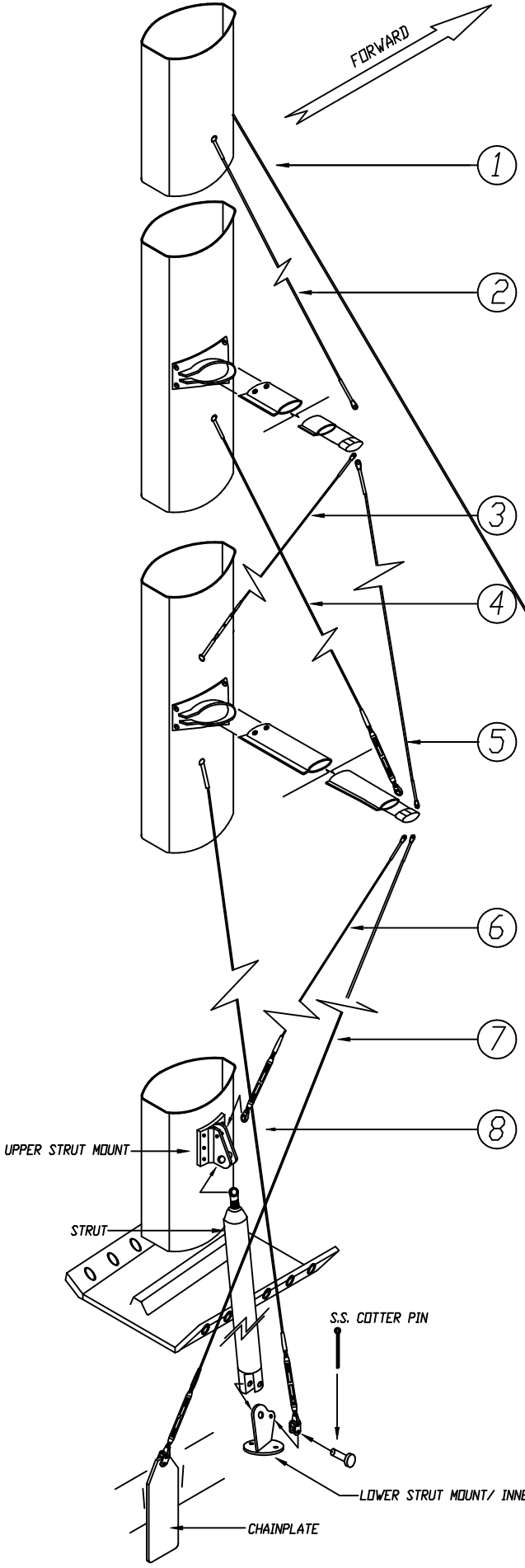
the lower shroud. The top RD2 runs from above the lower spreader base to the end of the top spreader, and stabilizes the top section of the mast.

The B&R rig is designed to be pre-bent to further add rigidity to the mast section and eliminate the need for adjustable rigging (like backstay adjusters). This design should prove more reliable than a rig with adjustable backstays or runners, as there is less chance for error.

The large main, small jib, sail plan on the P420 also eliminates the need for large overlapping headsails (genoa), as the driving power comes from the much improved shape and size of the mainsail. This allows for an easier tacking small jib, creating good performance and more comfortable sailing as it is less work for the crew.

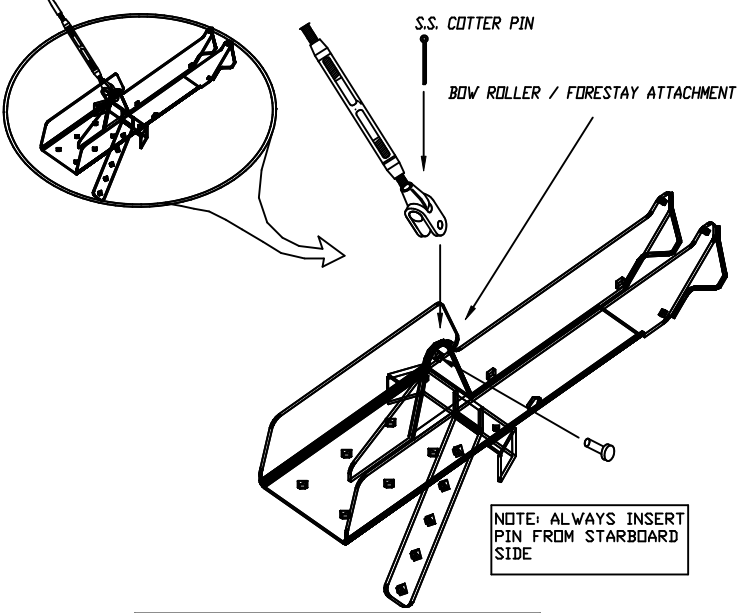
As the large main is creating additional mainsheet and leech loading, Hunter has included a cockpit arch whereby the mainsheet and leech loads are directed to the strong part of the boom (the outboard end) and is located at the heaviest loading point of the mainsail. The cockpit arch serves addition safety and comfort functions as handholds and cockpit canvas attachment points.

B&R rigs have been used on thousands of sailboats, and we are proud to incorporate this successful design on your new Hunter.

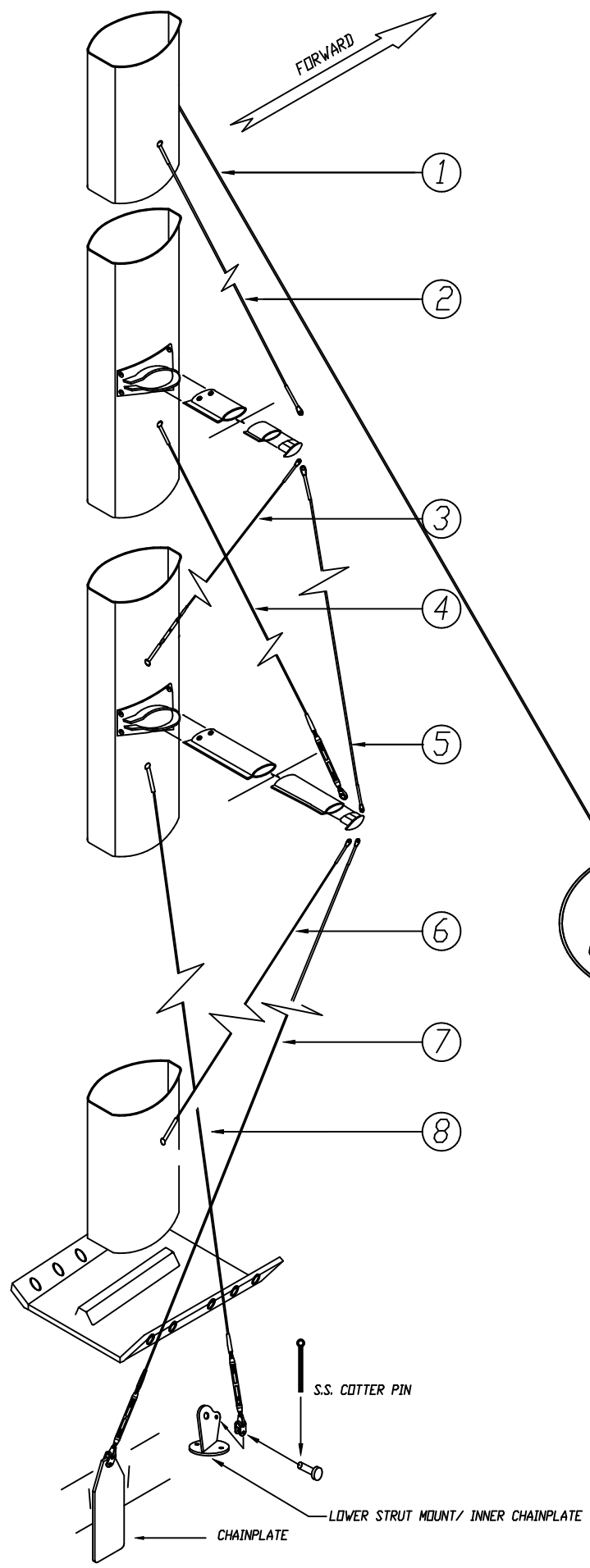


- ① FORESTAY 5/16 (7.9mm) 1 X 19
- ② D3 5/16" (7.9mm) 1 X 19
- ③ RD2 3/16" (4.8mm) 1 X 19
- ④ D2 1/4" (6.4mm) 1 X 19
- ⑤ V2 5/16" (7.9mm) 1 X 19
- ⑥ RD1 3/16" (4.8mm) 1 X 19
- ⑦ V1 5/16" (7.9mm) DYFORM
- ⑧ D1 5/16" (7.9mm) DYFORM

NOTE: SEE PAGES 49A & B FOR SPREADER TIP DETAILS.  
 SEE PAGE 50A FOR STANDARD RIGGING STANDING RIG LENGTHS.  
 SEE PAGE 51 FOR FITTINGS DESC.

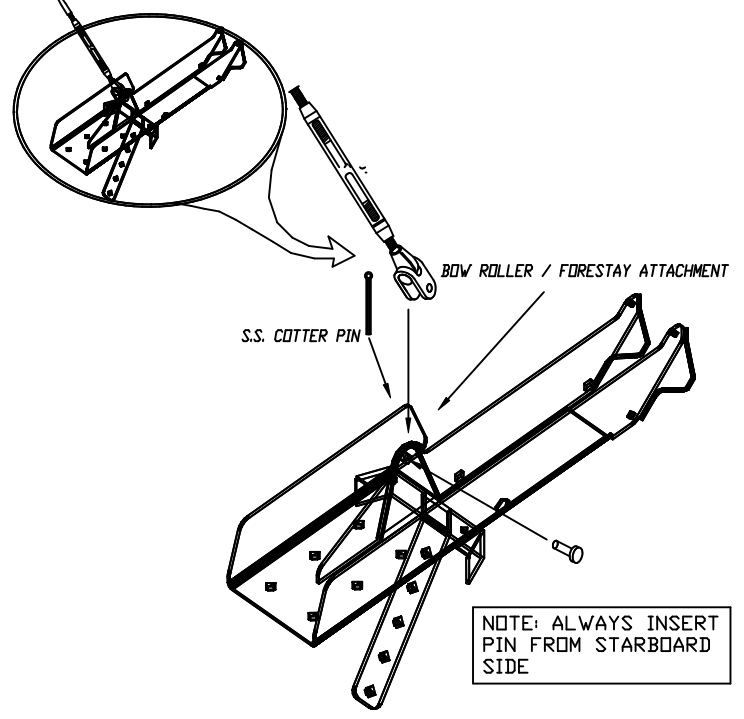


NOTE: NEVER TRY TO SAIL THE VESSEL WITHOUT THE STRUTS IN PLACE AND PROPERLY FASTENED (SEE PAGE 48B)  
 NOTE: IN-MAST FURLING OPTION USES A LARGER MAST SECTION AND THE STRUTS ARE NOT UTILIZED. SEE FOLLOWING PAGE



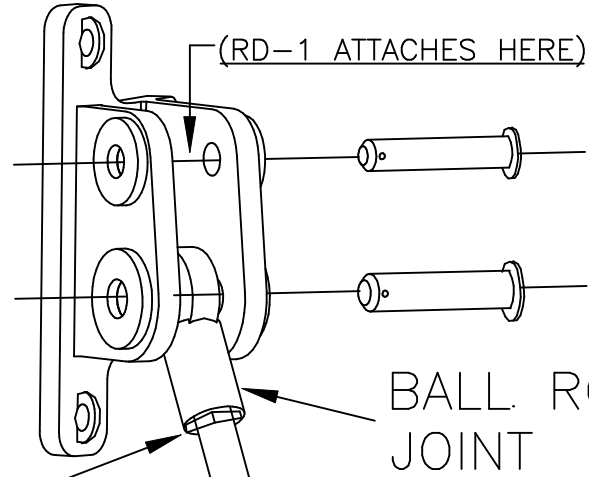
- ① FORESTAY 5/16" (7.9mm) 1 X 19
- ② D3 5/16" (7.9mm) 1 X 19
- ③ RD2 3/16" (4.8mm) 1 X 19
- ④ D2 1/4" (6.4mm) 1 X 19
- ⑤ V2 5/16" (7.9mm) 1 X 19
- ⑥ RD1 3/16" (4.8mm) 1 X 19
- ⑦ V1 5/16" (7.9mm) 1 X 19
- ⑧ D1 5/16" (7.9mm) 1 X 19

NOTE: SEE PAGES 49A & B FOR SPREADER TIP DETAILS.  
 SEE PAGE 50B FOR FURLING RIG LENGTHS.  
 SEE PAGE 51 FOR FITTINGS DESC.



NOTE: IN-MAST FURLING OPTION USES A LARGER MAST SECTION AND THE STRUTS ARE NOT UTILIZED.

(UPPER STRUT MOUNT ON EA. SIDE OF MAST)



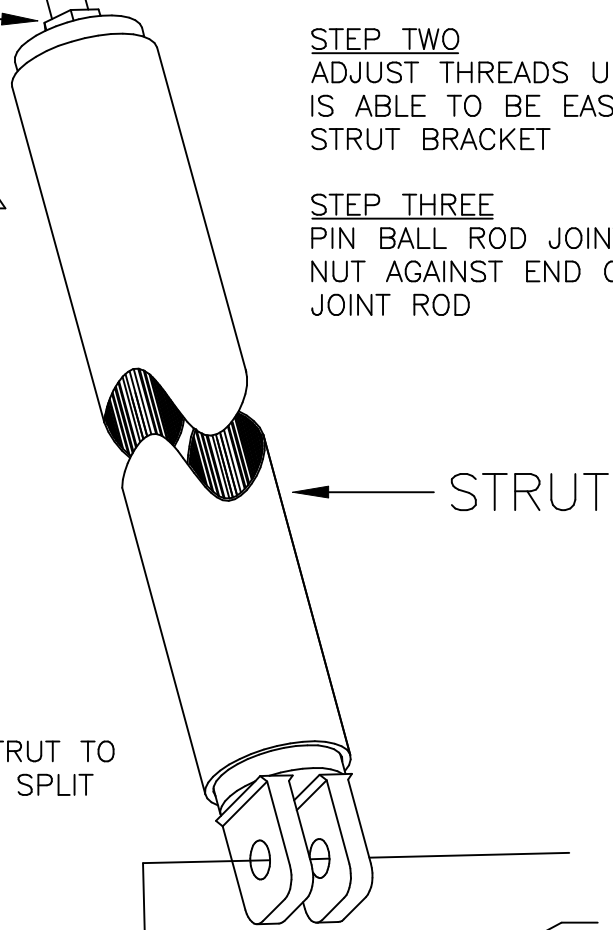
(RD-1 ATTACHES HERE)

BALL ROD JOINT

STEP TWO  
 ADJUST THREADS UNTIL BALL ROD JOINT IS ABLE TO BE EASILY PINNED IN STRUT BRACKET

JAM NUTS

STEP THREE  
 PIN BALL ROD JOINT AND TIGHTEN JAM NUT AGAINST END OF STRUT & BALL JOINT ROD



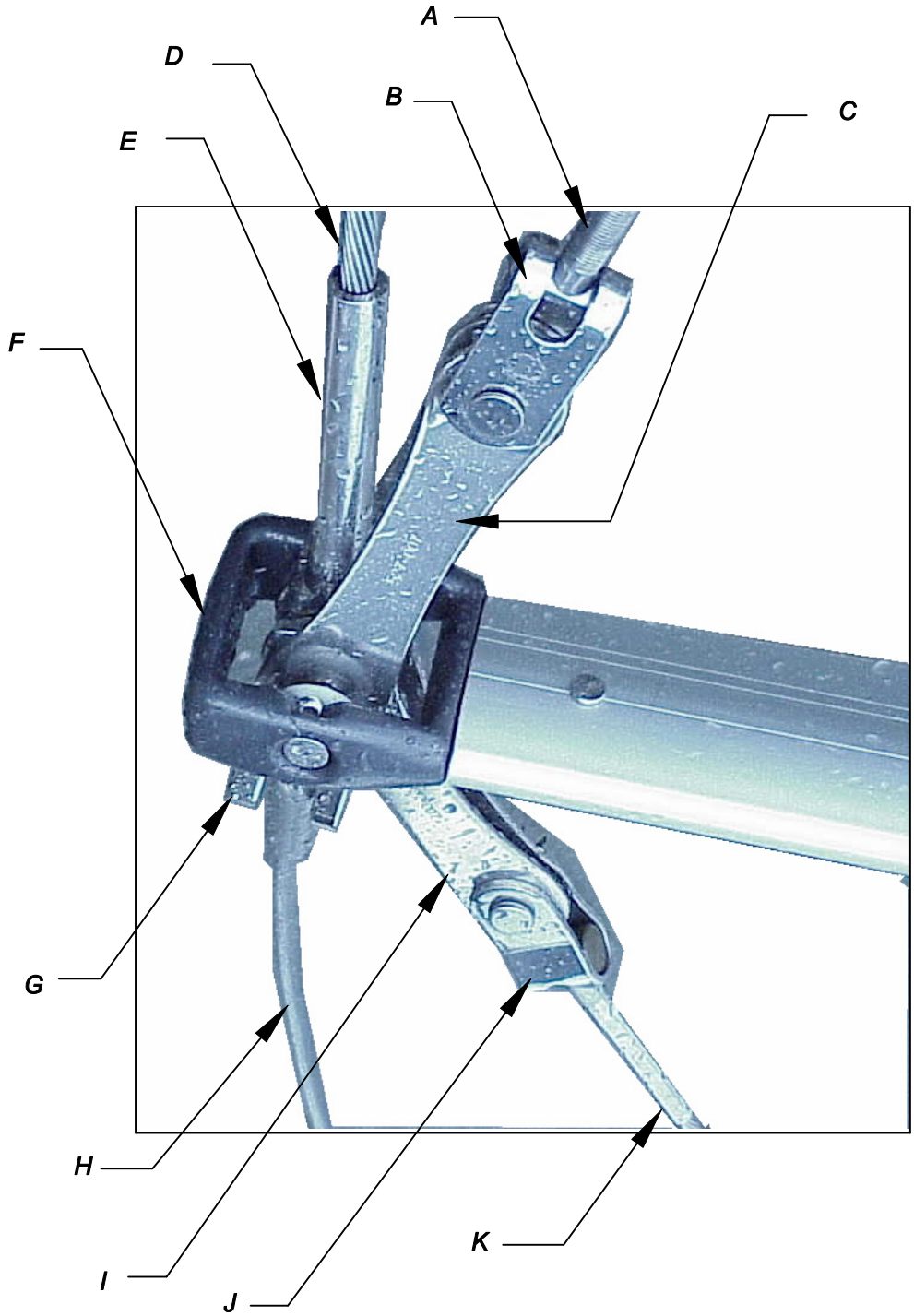
STRUT

LOWERS CHAINPLATE

STEP ONE  
 PIN LOWER END OF STRUT TO CHAINPLATE AND ADD SPLIT RINGS

(D-1 ATTACHES HERE)





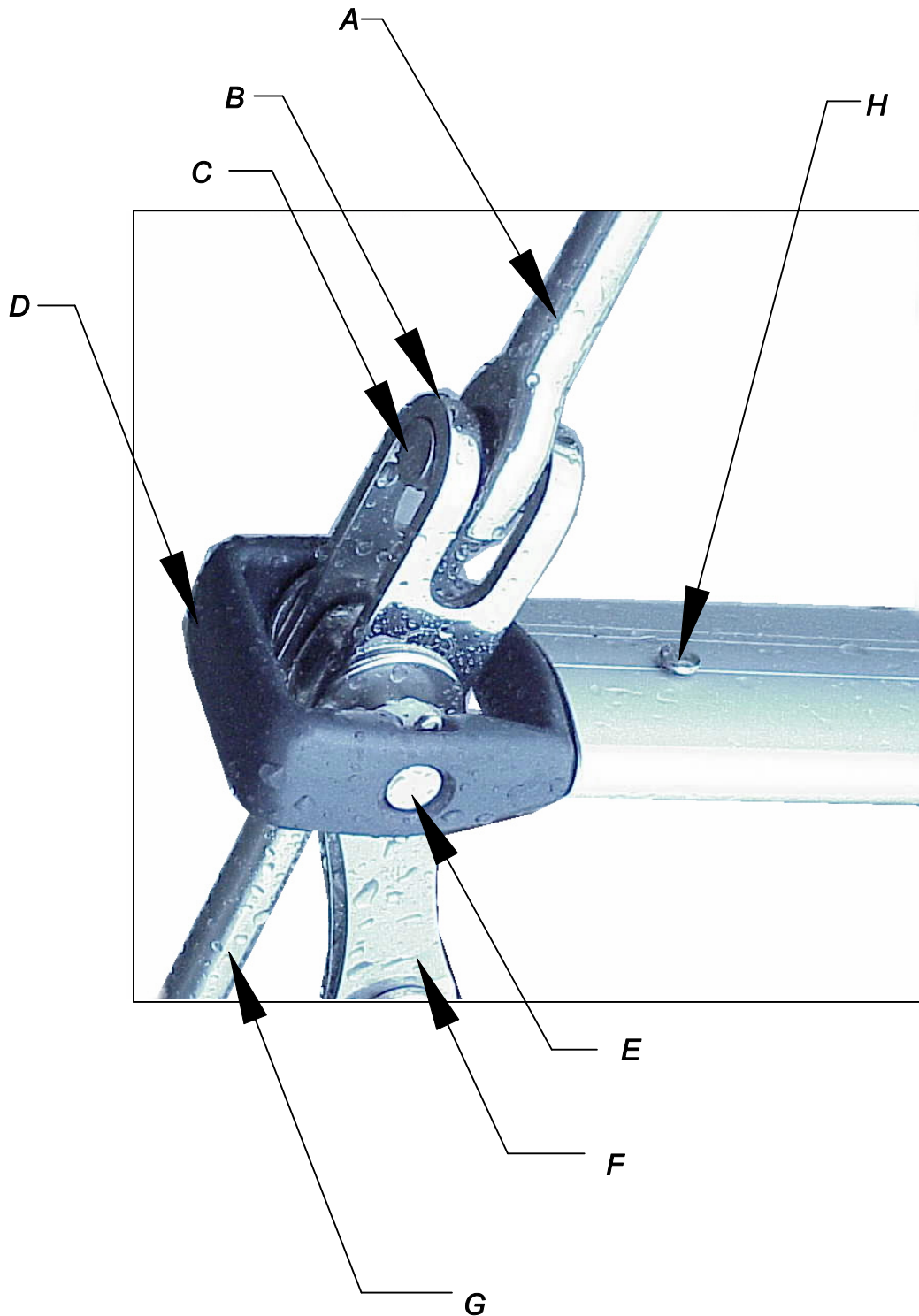
<b>A</b>	<b>D2 stem T</b>	<b>G</b>	<b>jaw toggle</b>
<b>B</b>	<b>jaw toggle</b>	<b>H</b>	<b>V1</b>
<b>C</b>	<b>link plates</b>	<b>I</b>	<b>link plates</b>
<b>D</b>	<b>V2</b>	<b>J</b>	<b>jaw toggle</b>
<b>E</b>	<b>marine eye</b>	<b>K</b>	<b>RD1 stem T</b>
<b>F</b>	<b>spreader tip casting</b>		

This document contains information for which HUNTER MARINE CORP. has proprietary rights.



**SELDEN LOWER SPREADER TIP**

DRAWING TITLE	REVISION NO.	DATE
4208049A	NONE	7/13/01
DESIGNED BY	MG	



- |          |                             |          |                                      |
|----------|-----------------------------|----------|--------------------------------------|
| <b>A</b> | <b>D3 marine eye</b>        | <b>E</b> | <b>3/8" (.95cm) pin</b>              |
| <b>B</b> | <b>jaw toggle</b>           | <b>F</b> | <b>link plates</b>                   |
| <b>C</b> | <b>1/2" (1.27cm) pin</b>    | <b>G</b> | <b>marine eye stem</b>               |
| <b>D</b> | <b>spreader tip casting</b> | <b>H</b> | <b>spreader tip casting fastener</b> |

**P420 SELDEN STANDARD STANDING RIGGING SPECIFICATIONS**

BY: KJC		DATE: 26-Feb-98		REVISION: RD1 LOWER END CHANGED TO TOGGLE 7-24-98		
OPT/STD	ITEM	QUANTITY	WIRE SIZE	UPPER END	LENGTH	LOWER END
1	STD D3	2	5/16" (8mm) 1x19	841-5/16 SHROUD TERMINAL	3.937 m 12 ft. 11 in.	MARINE EYE FOR 5/8" PIN
2	STD V2	2	5/16" (8mm) 1x19	JAW TOGGLE FOR 5/8" PIN	4.064 m 13 ft. 4 in.	MARINE EYE FOR 5/8" PIN
1	STD D2	2	1/4" (6.4mm) 1x19	841-1/4 SHROUD TERMINAL	3.937 m 12 ft. 11 in.	8-12-12 TURNBUCKLE W/ JAW FOR 12mm PIN
2	STD V1	2	5/16" (8mm) DYFORM	JAW TOGGLE FOR 5/8" PIN	6.429 m 21 ft. 1 1/8 in.	10-20-20 TURNBUCKLE
3	STD D1	2	5/16" (8mm) DYFORM	841-5/16 SHROUD TERMINAL	6.125 m 20 ft. 1 1/8 in.	10-16-16 TURNBUCKLE
3	STD UPPER DIAMOND, RD2	2	3/16" (5mm) 1X19	JAW TOGGLE FOR 3/8" PIN	4.020 m 13 ft. 2 1/4 in.	6-10-10 TURNBUCKLE WITH T TERMINAL FOR 740-5a
4	STD LOWER DIAMOND, RD1	2	3/16" (5mm) 1X19	JAW TOGGLE FOR 3/8" PIN	4.394 m 14 ft. 5 in.	6-10-10 TURNBUCKLE WITH UPSET TOGGLE FOR 12mm PIN
	OPT. INNER FORESTAY	1	1/4" (6.4mm) 1x19	841-6 SHROUD TERMINAL	11.433 m 37 ft. 6 1/8 in.	FORESTAY QUICK RELEASE LEVER W/ 1/2" PIN
5	STD FORESTAY	1	5/16" (8mm) 1x19	MARINE EYE	14.910 m 48 ft. 11 in.	GIBB 10-20-20 TURNBUCKLE W/ JAW TOGGLE LOOSE

**P420 SELDEN FURLING MAST STANDING RIGGING SPECIFICATIONS**

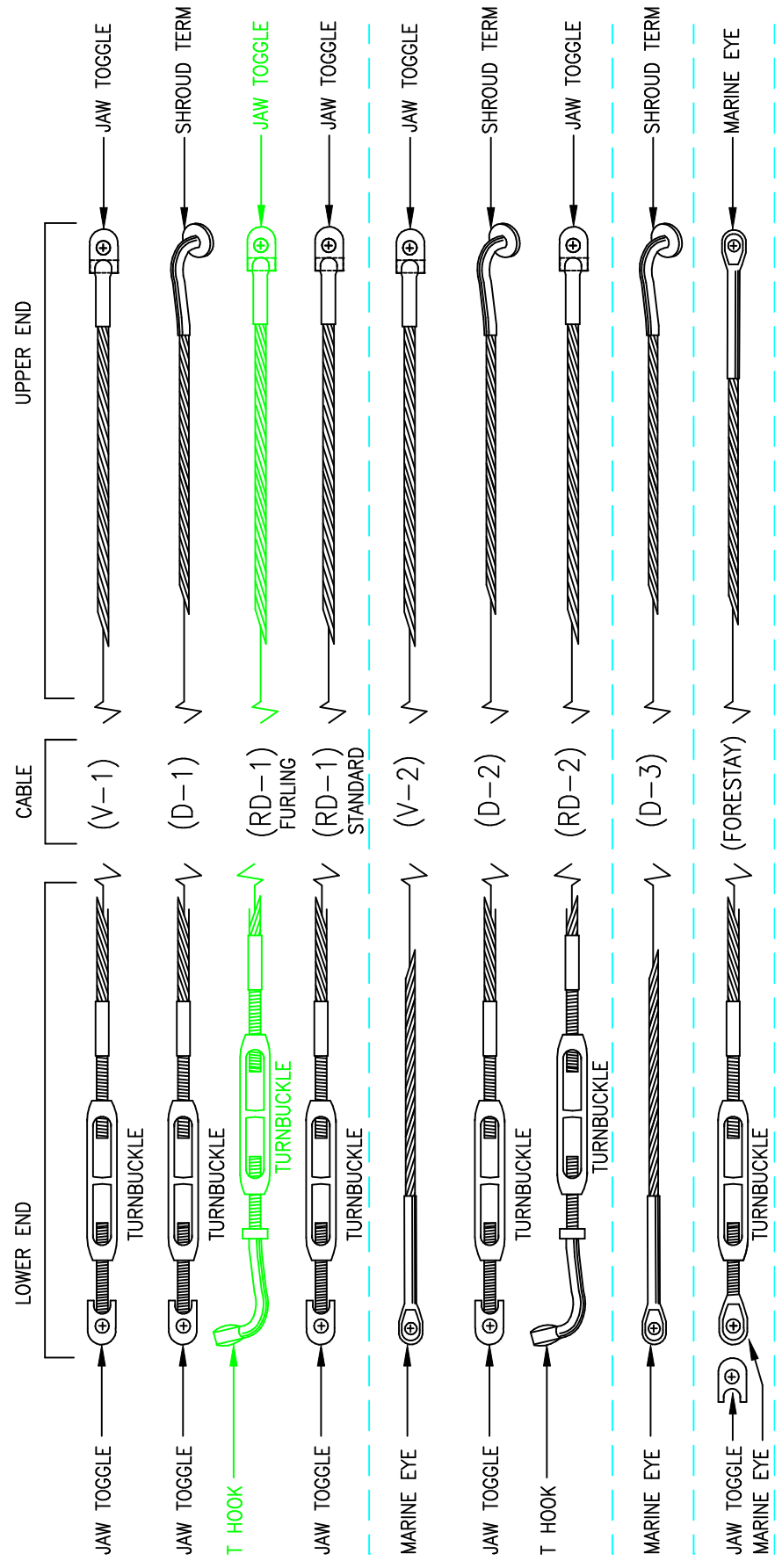
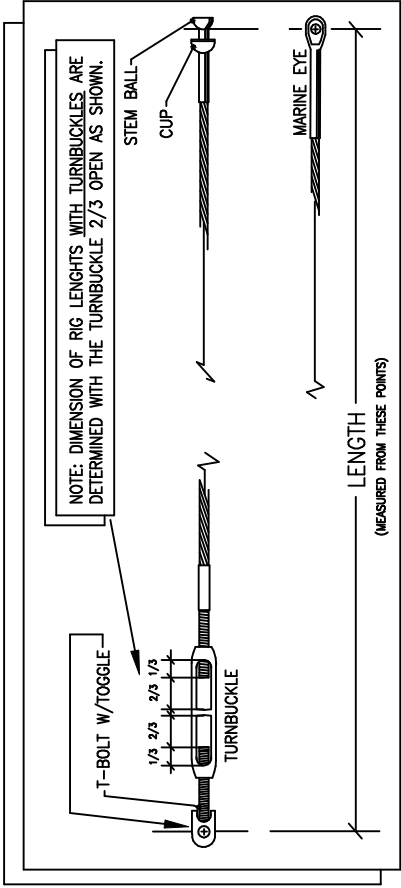
BY: KJC		DATE: 22-Sep-98		REVISION: AFTER STEPPING 9/28/98		
OPT/STD	ITEM	QUANTITY	WIRE SIZE	UPPER END	LENGTH	LOWER END
1	STD D3	2	5/16" (8mm) 1x19	841-5/16 SHROUD TERMINAL	14 ft. 1 1/2 in. 4.305 m	MARINE EYE
2	STD V2	2	5/16" (8mm) 1x19	JAW TOGGLE	15 ft. 0 in. 4.572 m	MARINE EYE
3	STD D2	2	1/4" (6.4mm) 1x19	841-1/4 SHROUD TERMINAL	14 ft. 8 5/8 in. 4.486 m	8-12-12TURNBUCKLE W/JAW TOGGLE
4	STD V1	2	5/16" (8mm) DYFORM	JAW TOGGLE	18 5.550 m	10-20-20 TURNBUCKLE
5	STD D1	2	5/16" (8mm) 1x19	841-5/16 SHROUD TERMINAL	17 5.302 m	10-16-16 TURNBUCKLE
6	STD UPPER DIAMOND, RD2	2	3/16" (5mm) 1X19	JAW TOGGLE	14 ft. 9 1/8 in. 4.499 m	TURNBUCKLE WITH T-TERMINAL
7	STD LOWER DIAMOND, RD1	2	3/16" (5mm) 1X19	JAW TOGGLE	15 ft. 4 1/2 in. 4.686 m	TURNBUCKLE WITH T-TERMINAL
8	OPT. INNER FORESTAY	1	1/4" (6.4mm) 1x19	841-6 SHROUD TERMINAL	37 ft. 8 in. 11.481 m	FORESTAY QUICK RELEASE LEVER W/ 1/2" PIN
9	STD FORESTAY	1	5/16" (8mm) 1x19	MARINE EYE	49 ft. 0 in. 14.935 m	GIBB 10-20-20 TURNBUCKLE W/ JAW TOGGLE LOOSE

ALL ADJUSTABLE RIGGING IS DIMENSIONED WITH TURNBUCKLES 2/3 OPEN  
ALL TURNBUCKLES TO HAVE RIGHT HAND THREADS ON SWAGED FITTING

V = VERTICAL  
 D = DIAGONAL  
 RD = REVERSE DIAGONAL

1 = LOWER  
 2 = INTER.  
 3 = UPPER

NOTE: SEE PAGES 50A & 50B FOR ACTUAL RIG LENGTHS.



# TUNING THE H420 B&R RIG

---

The easiest method for tuning the B&R rig is to perform step one as follows before the mast is stepped, with it lying aft side down on two sawhorses. Begin with all rigging slack. If the mast is already stepped, loosen all the rigging, and then proceed to step one.

1. Start with all the rigging slack. Then induce the mast bend by tightening the reverse diagonals (diamonds). Measure the bend by tensioning a line or the main halyard between the masthead and the gooseneck. The maximum amount of bend should be no more than 8" (203 mm) for the standard rig and no more than 2" (50 mm) for the furling mast measured perpendicular from the aft face of the mast to the halyard at the deepest part of the bend. It can be less than that based on the sail shape and your own preference. The bend should also be evenly distributed along the mast to give a smooth shape. Keep in mind that bending a furling mast may make it more difficult to furl and will not do much to flatten the sail as in a standard rig. It is very important that the mast also be straight from side to side at this time. Tighten or loosen the reverse diagonals to achieve this.
2. Step the mast with all shrouds attached but with the turnbuckles completely loosened (if the mast was not already stepped).
3. Attach the jib halyard to a cleat on the bow to support the mast in a raked position (the masthead should be about 1-1/2' behind the step). Attach the verticals and tighten them until you can just see the hole for the cotter pin in the turnbuckle. Tighten the jib halyard until you can attach the forestay. At this point the masthead should be raked so that a weight hung on the main halyard hangs about 1' behind the mast step.
4. Use the main halyard to check that the mast is centered from side to side. Pull it tight and mark the halyard next to the verticals chainplate. Now do the same to the other side to see if the marks line up. If not, tighten and/or loosen the verticals until the marks line up. Once the masthead is centered, begin tightening the verticals until the turnbuckles are approximately half closed. While tightening the verticals you may notice the bend in the mast increasing. Now you can tighten the lowers which will tend to straighten the lower part of the mast. Be sure to tighten port and starboard sides evenly.
5. Now you should tighten the headstay until it is approximately half closed as well. This should induce the appropriate amount of headstay tension. Never use anything more than a pair of wrenches to tighten your rigging. If you use an extended piece of pipe on the handle of a wrench you can over tighten the rigging and do damage to the mast or rigging.
6. On the Hunter H420 it is necessary to go up the mast in a bosun's chair to tighten the number 2 diagonal shroud (D2 or intermediate shroud). Always use caution when "going aloft". You should always use a mountain climbing harness or Bosun's Chair intended for this use. Always tie into the harness with the halyard using a bowline and then secure the shackle as a back up as the knot is more reliable than a mechanical fastener. The person hoisting you aloft should keep the halyard stopper closed to prevent falls. Good communication between the two of you is also important. Tighten the D2 until it has just become tight and then add two complete turns. While at the first spreader, look up the back of the mast to see if it is straight. (rather than bent from side to side). If it is not straight then adjust the appropriate D2 to straighten it.
7. Have the person on deck carefully lower you. They should keep the halyard wrapped at least twice around the winch and should always have one hand able to stop the halyard from running free. Once on deck look up the back of the mast and see if it is straight (rather

# TUNING THE H420 B&R RIG

---

than bent from side to side). If it is not straight not then adjust the lowers (D1) until it is.

rigging bending back the ends and taping them to prevent snagged lines, sails and fingers.

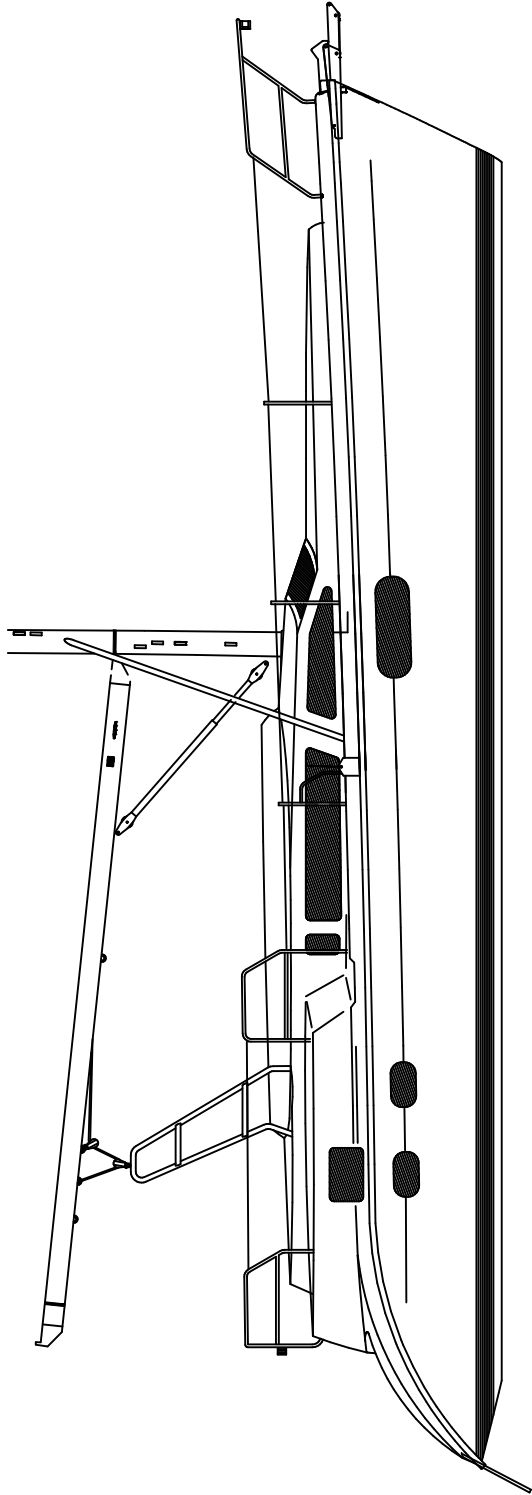
8. If you have the standard rig you need to attach the struts at this time. Attach the lower end of the strut to the smaller hole in the chainplate. Adjust the length by turning the ball joint bearing in the upper end of the strut until the holes in the pin can be attached. It is normal to have some play between the strut and the chainplate and strut bracket

Remember that rigging, like everything else, can age. As it gets older it may need to be replaced. The frequency for which this becomes necessary depends on the climate and conditions in which the boat is sailed. For example: if you sail in the Caribbean it should be replaced every 2-3 years compared to every 10 for the great lakes. You should consult a professional rigger for advice.

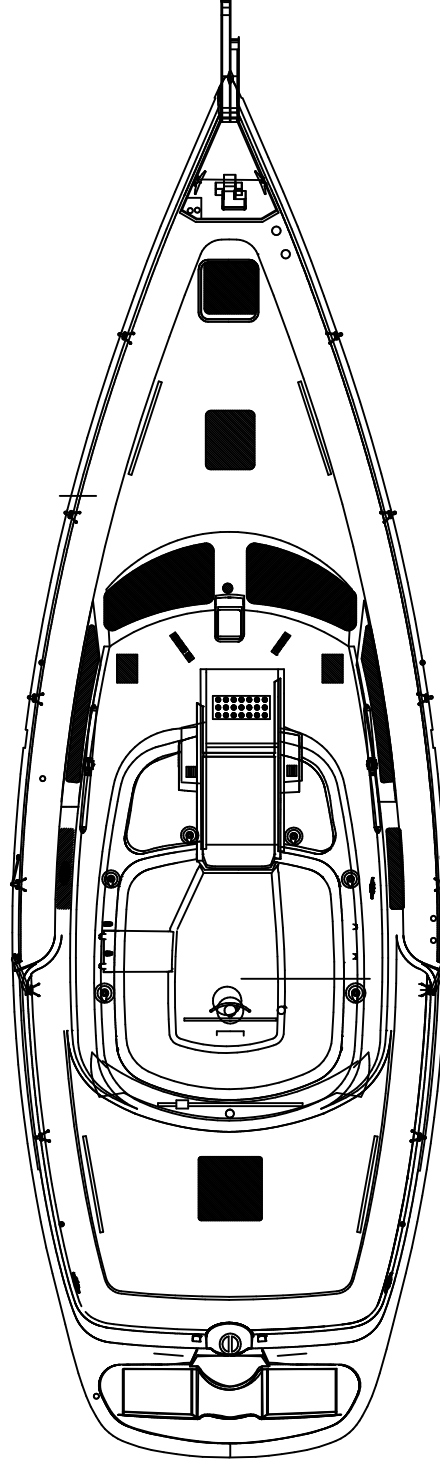
9. The final test is to go sailing in 10-15 knots of wind. If when sailing upwind, the shrouds on the leeward side are slack then tighten them to remove about half the slack keeping note of the number of turns. Then tack and do the same to the other side. Do this until you are happy with the tension and the leeward side does not get loose when the boat is heeled. Now sight up the mast to be sure it is still relatively straight from side to side. If it is not then adjust to appropriate rigging to correct it. For example: if the mast is straight until the upper spreader and then hooks to the windward side then you will have to revisit steps 6 and 7 above. Remember to always tighten the leeward shroud, tack and tighten the new leeward shroud the same amount. This prevents damage to the turnbuckles and is also much easier to do. Keep in mind it is also possible to have something too tight such as a diagonal shroud.

10. At this point you should have adequate headstay tension. The sails are built for about 14" of headstay sag, the bend in the standard mast should be about 1" and 4" in the furling mast and it should be nearly straight from side to side when sailing upwind. If any of these are not true then revisit the appropriate step above to correct it. If the sag in the headstay is too much then adding tension to the verticals will fix it.

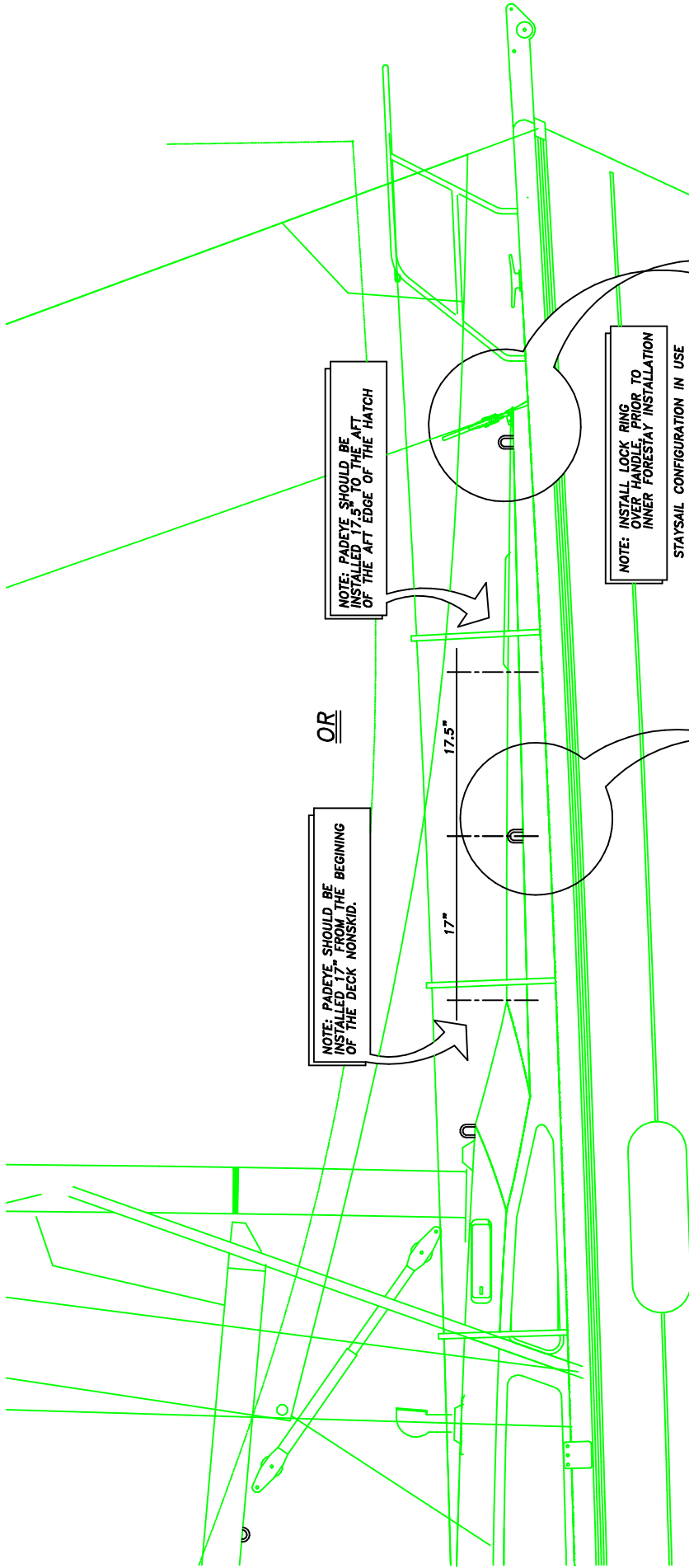
11. Once the rig is tuned you should make sure to add the cotter pins to all the



SEE PAGES 38-40 FOR OPTIONAL  
DECK HARDWARE INFORMATION.



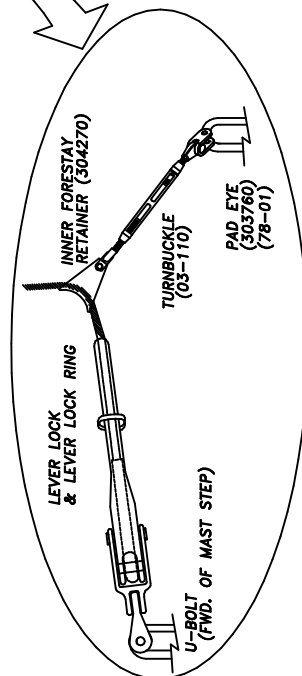
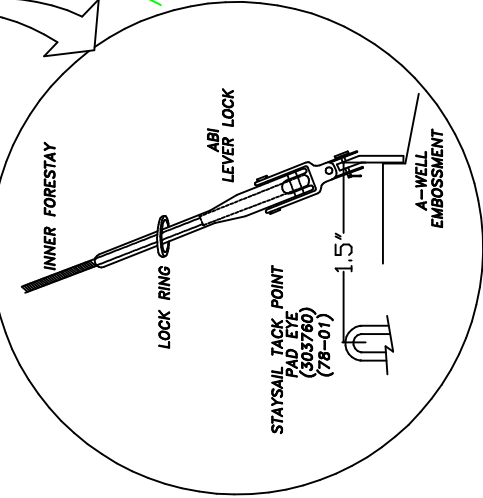




NOTE: PADEYE SHOULD BE INSTALLED 17" FROM THE BEGINNING OF THE DECK NONSKID.

OR

NOTE: PADEYE SHOULD BE INSTALLED 17.5" TO THE AFT OF THE AFT EDGE OF THE HATCH



This document describes information for which HUNTER MARINE CORP. has proprietary rights.  
**P420 OPTIONAL STAYSAIL LAYOUT**  
 DRAWING NO. 4208054B  
 REVISION NO. NONE  
 DATE 9/15/98  
 ENGINEERING DEPT

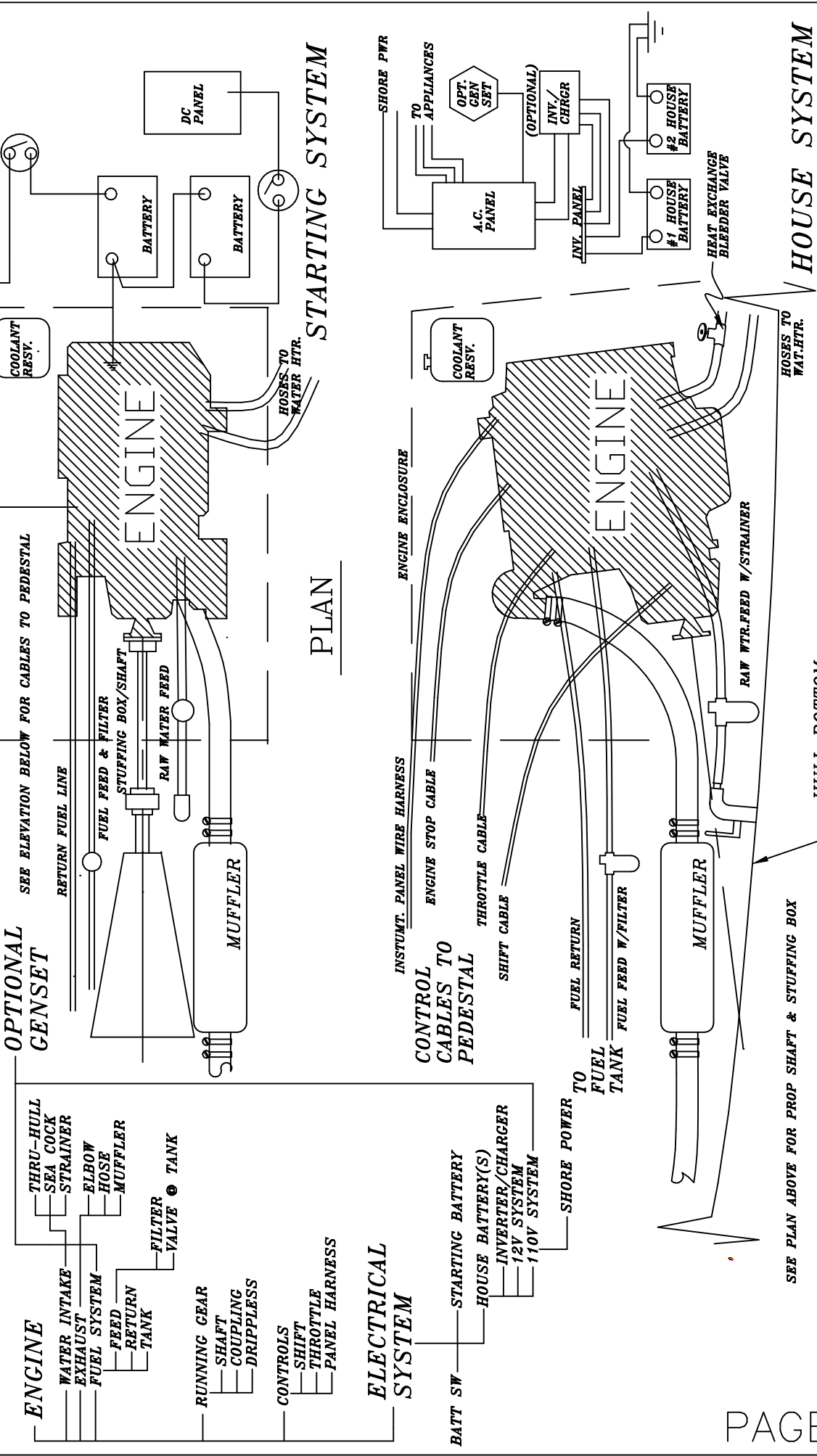


## ENGINE OPERATING INSTRUCTIONS:

- ① *FILL DIESEL TANK WITH DIESEL FUEL*
- ② *CHECK ENGINE OIL LEVEL (SEE YANMAR MANUAL)*
- ③ *OPEN ENGINE RAW WATER PICKUP SEACOCK (SEE PGE 60A)*
- ④ *TURN ON "START BATTERY SELECTOR SWITCH" (LOCATED AT ENGINE COMPARTMENT BULKHEAD)*
- ⑤ *TURN KEY TO START POSITION, PRESS START BUTTON AND RELEASE WHEN ENGINE STARTS. NOTE (IF ENGINE APPEARS TO HAVE TROUBLE STARTING, SEE YANMAR MANUAL)*
- ⑥ *TO SHUT ENGINE DOWN: PUSH RED BUTTON AT KEY SWITCH PANEL UNTIL ENGINE STOPS RUNNING THEN TURN KEY TO OFF POSITION.*

**WARNING: DO NOT LEAVE AFT HATCHES OPEN WHILE ENGINE IS RUNNING. THERE EXISTS A POSSIBILITY OF EXHAUST POISONING, OR EVEN DEATH.**

# SYSTEMS SCHEMATIC

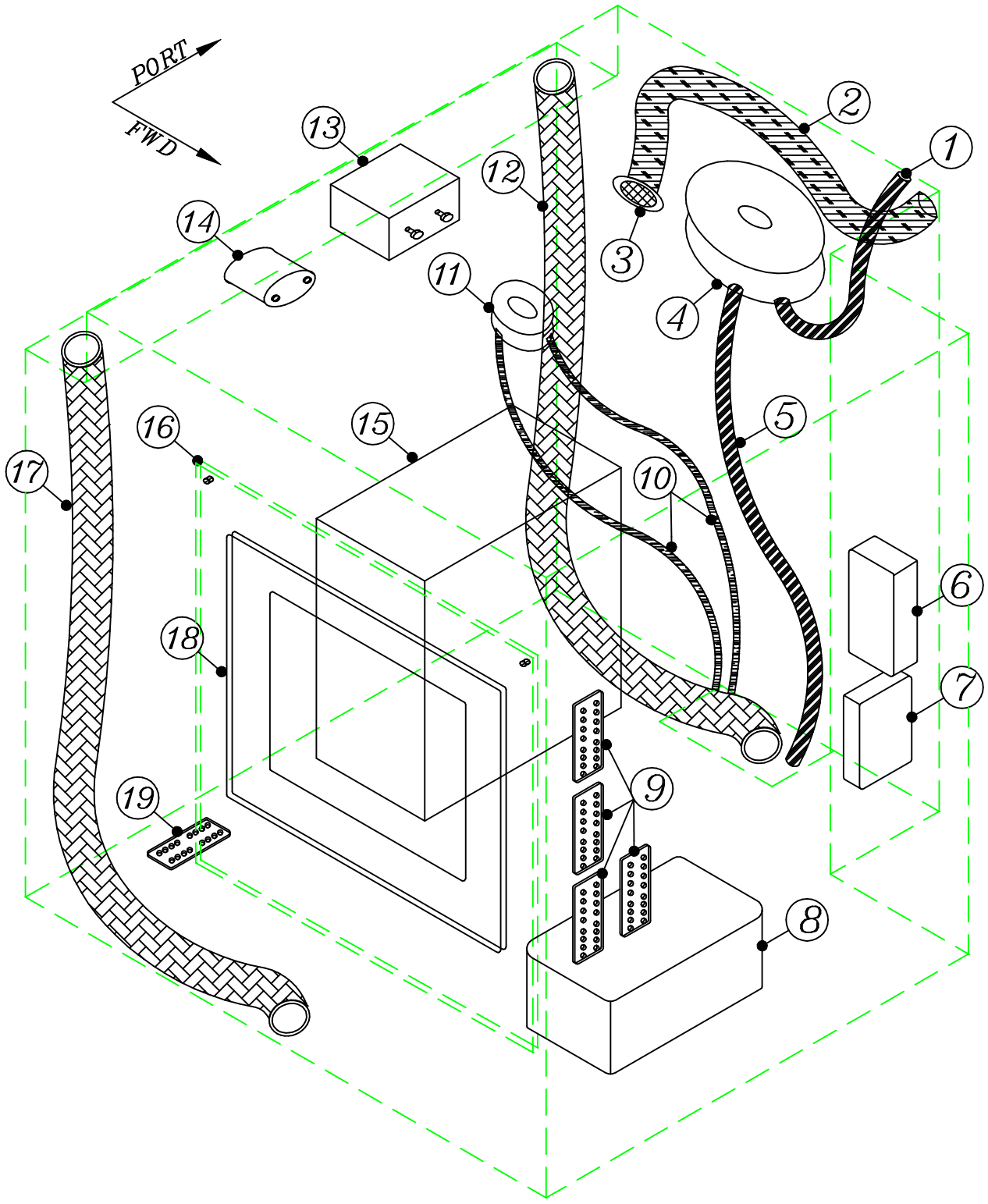


NOTE: THIS DWG. IS SCHEMATIC FORM  
SEE SPECIFIC SYSTEM DWGS. FOR  
BATTERIES/SWITCHES/ CHARGER ETC. LOCATIONS  
AND WIRE RUNS.

P420 ENGINE COMPARTMENT LAYOUT			
PROJECT FILE #	4208055B	DESIGNER	NONE
DATE	2/17/98	ENGINEERING DEPT.	

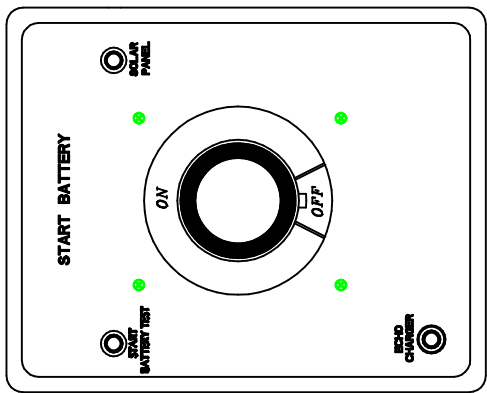


This document describes information for which HUNTER MARINE CORP. has proprietary rights.

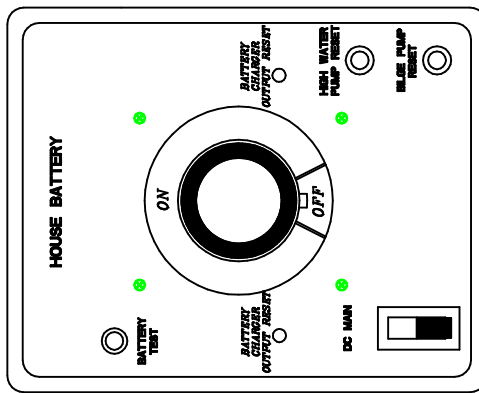


- |                                     |  |
|-------------------------------------|--|
| 1. MANUAL BILGE PUMP DISCHARGE HOSE | 11. STEERING SHEAVE BOX. THRU TO DECK    |
| 2. GENERATOR BLOWER DUCT            | 12. (PT) SCUPPER DRAIN HOSE TO SEACOCK   |
| 3. GENERATOR BLOWER MOTOR           | 13. OPTIONAL INVERTER ISOLATOR           |
| 4. MANUAL BILGE PUMP. THRU TO DECK  | 14. OPTIONAL INVERTER SOLENOID           |
| 5. MANUAL BILGE PUMP PICK UP HOSE   | 15. LOCATION OF OPTIONAL GENERATOR       |
| 6. BACKSIDE OF GALLEY POWER OUTLET  | 16. (STBD) ENGINE BLKHD. ACCESS PANEL    |
| 7. BACKSIDE OF LPG SOLENOID SWITCH  | 17. (STBD) SCUPPER DRAIN HOSE TO SEACOCK |
| 8. START BATTERY/ BATTERY BOX       | 18. MAIN DISTRIBUTION PANEL              |
| 9. GROUND BUSS BARS                 | 19. GROUND BUSS BAR                      |
| 10. STEERING CABLES THRU TO RUDDER  |  |

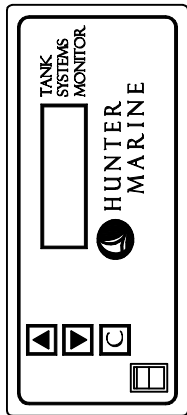
START BATTERY ON/OFF SAFETY SWITCH PANEL



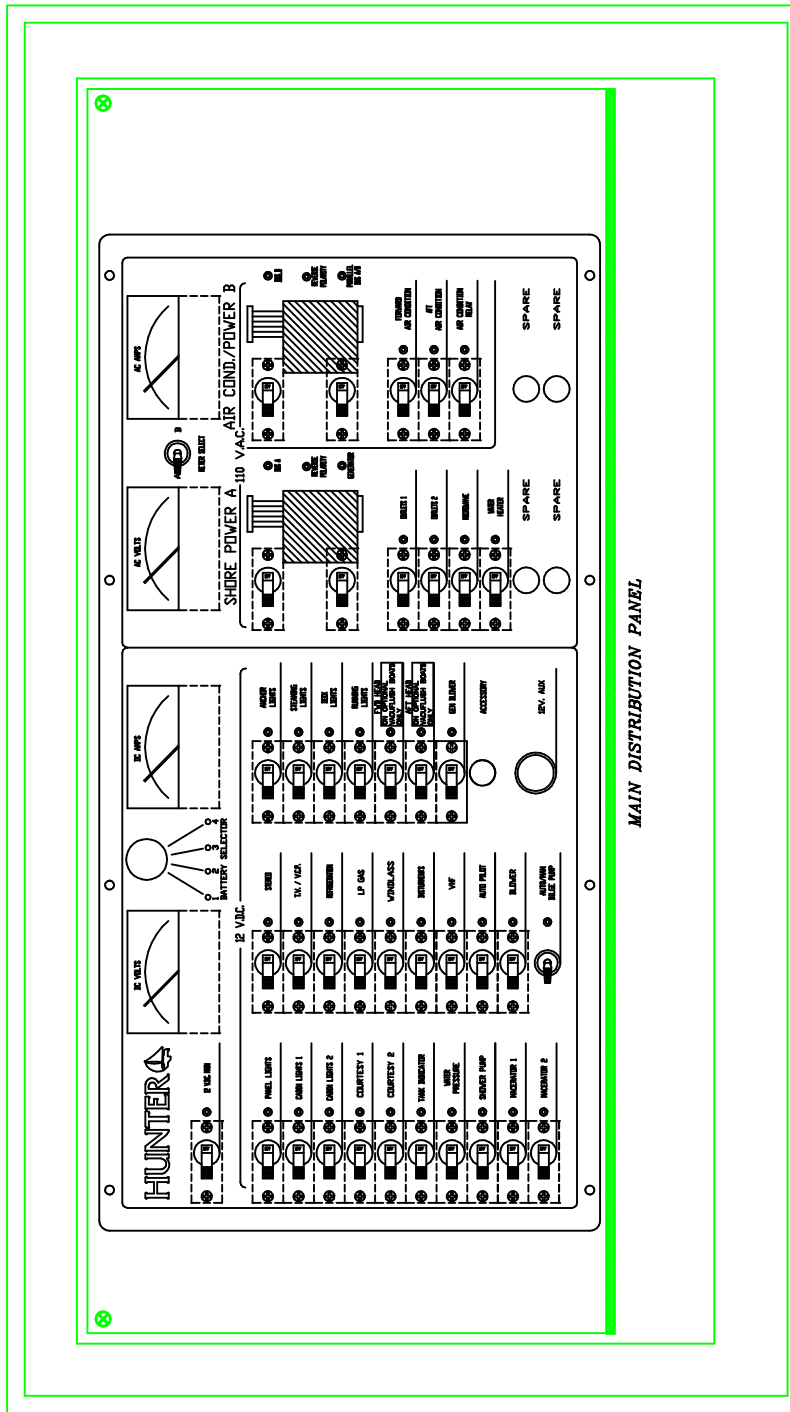
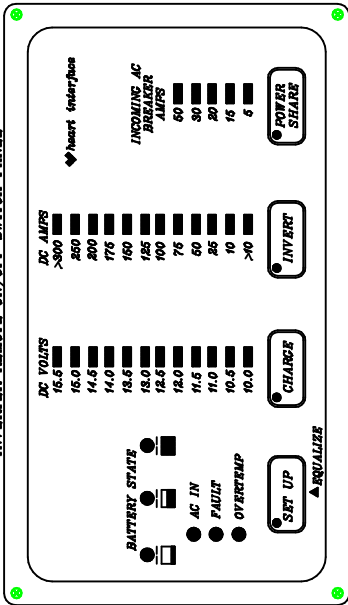
HOUSE BATTERY SWITCH PANEL



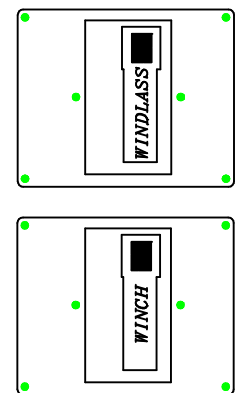
FUEL/WATER/TANK SELECTOR SWITCH PANEL



INVERTER REMOTE ON/OFF SWITCH PANEL



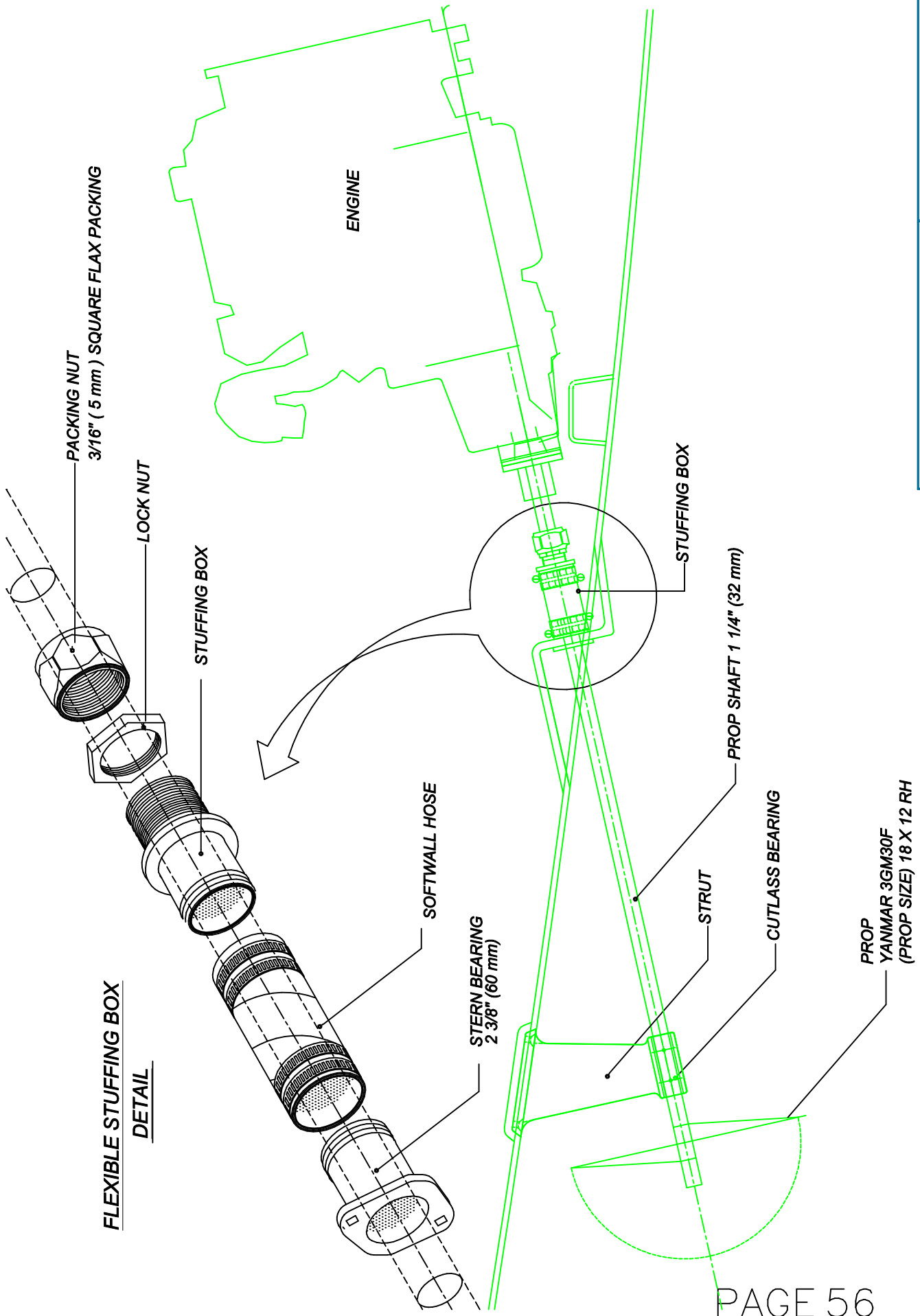
SEE PAGE 63A-16 FOR FURTHER INFORMATION PERTAINING TO SELECTOR SWITCHES



WINCH/WINDLASS BREAKER SWITCHES

OWNER FILE  
**P420 ENGINE COMPARTMENT BULKHEAD LAYOUT**  
ISSUANCE NO. 4208055D REVISION NO. NONE DATE 2/10/99  
ENGINEERING DEPT.





**FLEXIBLE STUFFING BOX**  
**DETAIL**

PROVIDE FILE  
**STUFFING BOX DETAIL**  
ISSUANCE NO. 4208056    REVISION NO. NONE    DATE  
ISSUED BY ENG



This document contains information for which HUNTER MARINE CORP. has proprietary rights.

FRESH WATER SYSTEM OPERATION:

- ① FILL TANK/S WITH FRESH WATER (SEE PAGE 60B FOR FILL LOCATIONS)
- ② OPEN DESIRED MANIFOLD VALVE/S (SEE PAGE 57B-1 FOR MANIFOLD LOCATION)
- ③ TURN ON HOUSE BATTERY SELECTOR SWITCH (LOCATED ENGINE COMPARTMENT BULKHEAD)
- ④ TURN ON "D.C. MAIN" BREAKER ON HOUSE BATTERY PANEL
- ⑤ TURN ON "WATER PRESSURE" BREAKER ON MAIN BREAKER PANEL
- ⑥ "HOT WATER" IS ATTAINABLE BASICALLY IN TWO WAYS...
  - Ⓐ BY HEATING THE WATER WITH THE DIESEL ENGINE
  - Ⓑ BY SUPPLYING 120V.A.C. BY "DOCKSIDE SHORE POWER" OR GENERATOR POWER.
- ⑦ TO HEAT BY "ENGINE" SEE PAGE 55A FOR ENGINE OPERATING INSTRUCTIONS

NOTE: WHEN COOLANT IS INSTALLED, BLEED AIR FROM HEAT EXCHANGER LINES TO WATER HEATER. CRANK ENGINE, OPEN BLEEDER VALVE (SEE PAGE 55B) UNTIL AIR IS GONE FROM LINES

- ⑧ TO HEAT BY "SHORE POWER"
  - Ⓐ HOOK UP SHORE POWER CABLES (#1 AND #2)
  - Ⓑ TURN ON A.C. MAIN BREAKER ON MAIN BREAKER PANEL
  - Ⓒ TURN ON "WATER HEATER BREAKER" ON MAIN BREAKER PANEL
- ⑨ TO HEAT BY "GENERATOR POWER"... SEE PAGE 63E-1 FOR GENERATOR OPERATING INST. THEN FOLLOW STEPS #8 B & C (THIS PAGE) UNDER "TO HEAT BY SHORE POWER"

NOTE: AS WITH ALL WATER HEATERS, BE SURE WATER TANK IS FULL BEFORE APPLYING POWER TO UNIT, TO AVOID DAMAGING THE HEATING ELEMENT

---

GENERATOR IS OPTIONAL



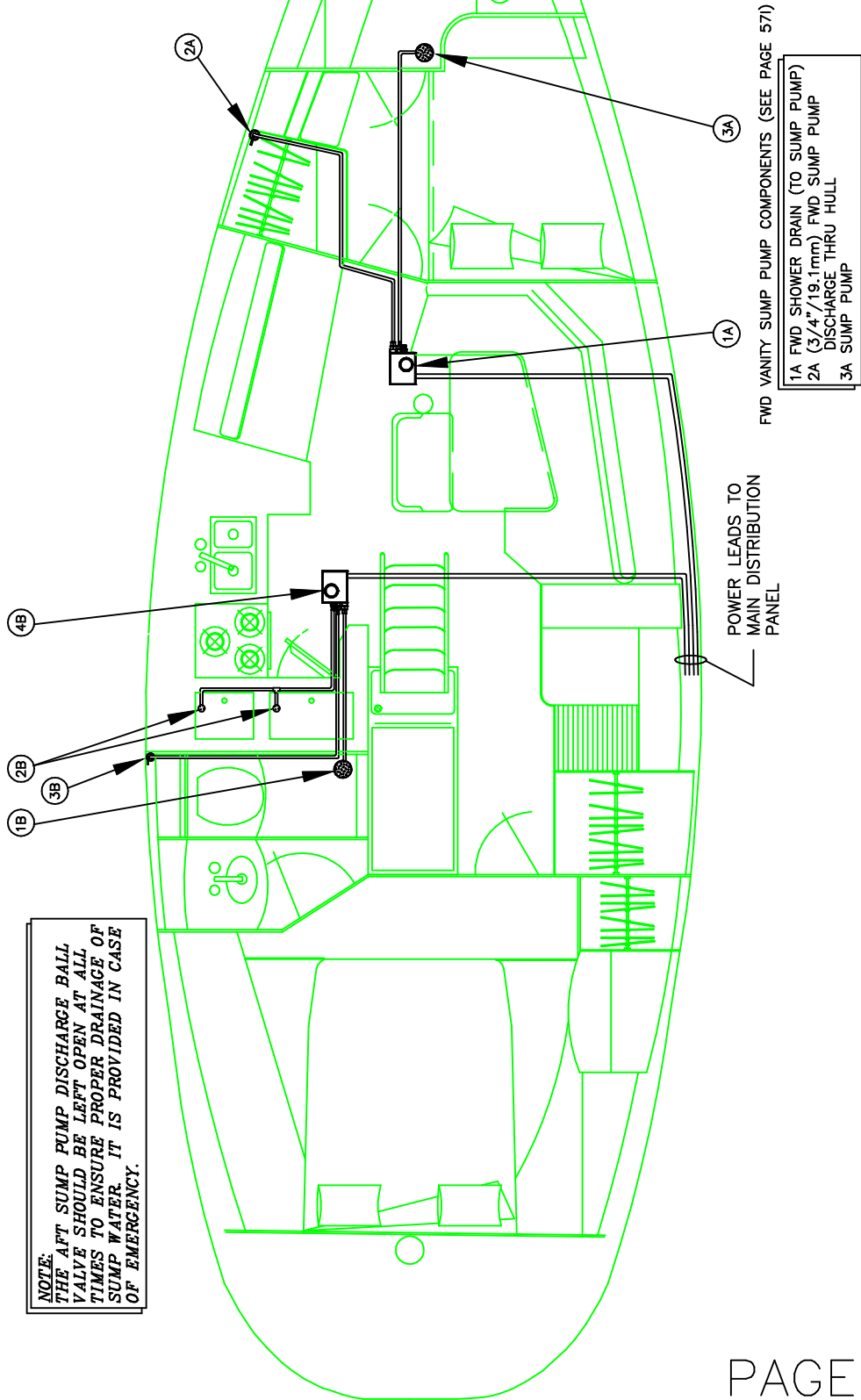


AFT SUMP PUMP COMPONENTS (SEE PAGE 57J)

- 1B AFT SHOWER DRAIN (TO SUMP PUMP)
- 2B FREEZER DRAIN (TO SUMP PUMP)
- 3B (3/4"/19.1mm) SUMP PUMP DISCHARGE SEACOCK
- 4B SUMP PUMP

**NOTE:**  
THE AFT SUMP PUMP DISCHARGE SEACOCK IS LOCATED BEHIND THE ACCESS PANEL IN THE AFT HEAD.

**NOTE:**  
THE AFT SUMP PUMP DISCHARGE BALL VALVE SHOULD BE LEFT OPEN AT ALL TIMES TO ENSURE PROPER DRAINAGE OF SUMP WATER. IT IS PROVIDED IN CASE OF EMERGENCY.



FWD VANITY SUMP PUMP COMPONENTS (SEE PAGE 57I)

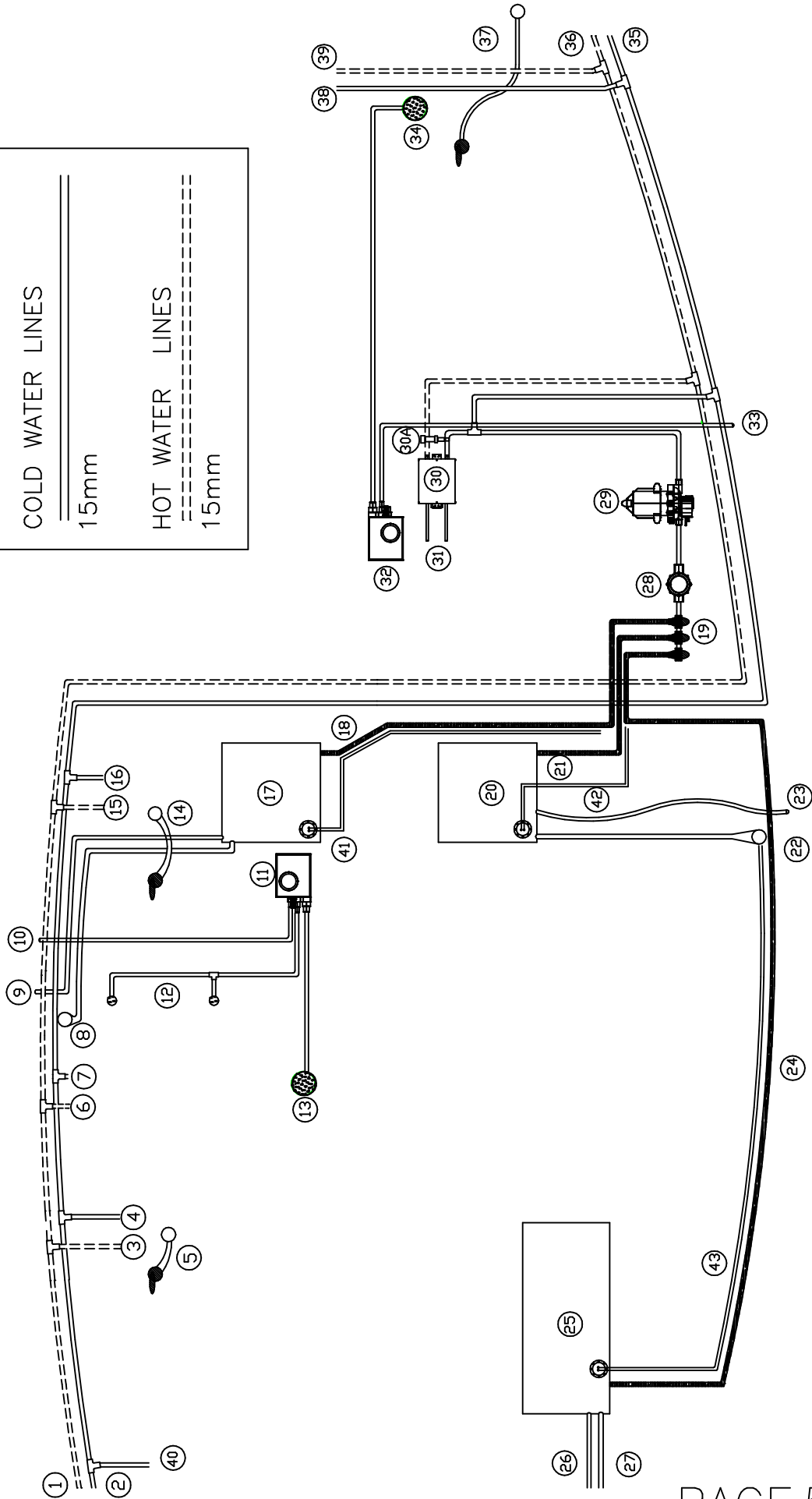
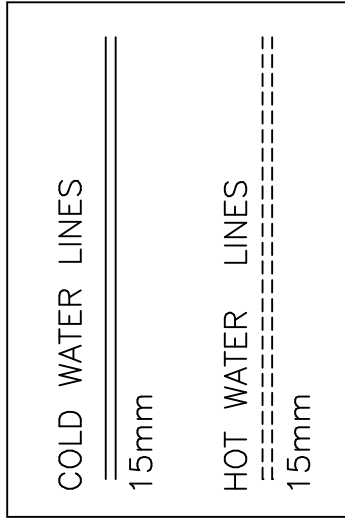
- 1A FWD SHOWER DRAIN (TO SUMP PUMP)
- 2A (3/4"/19.1mm) FWD SUMP PUMP DISCHARGE THRU HULL
- 3A SUMP PUMP

POWER LEADS TO MAIN DISTRIBUTION PANEL

This document describes information for which HUNTER MARINE CORP. has proprietary rights.



<b>P420 FRESH WATER SUMP PUMP LAYOUT</b>			
REVISED BY	SCALE	NONE	
4208057B-2			7/22/98
ENGINEERING DEPT			



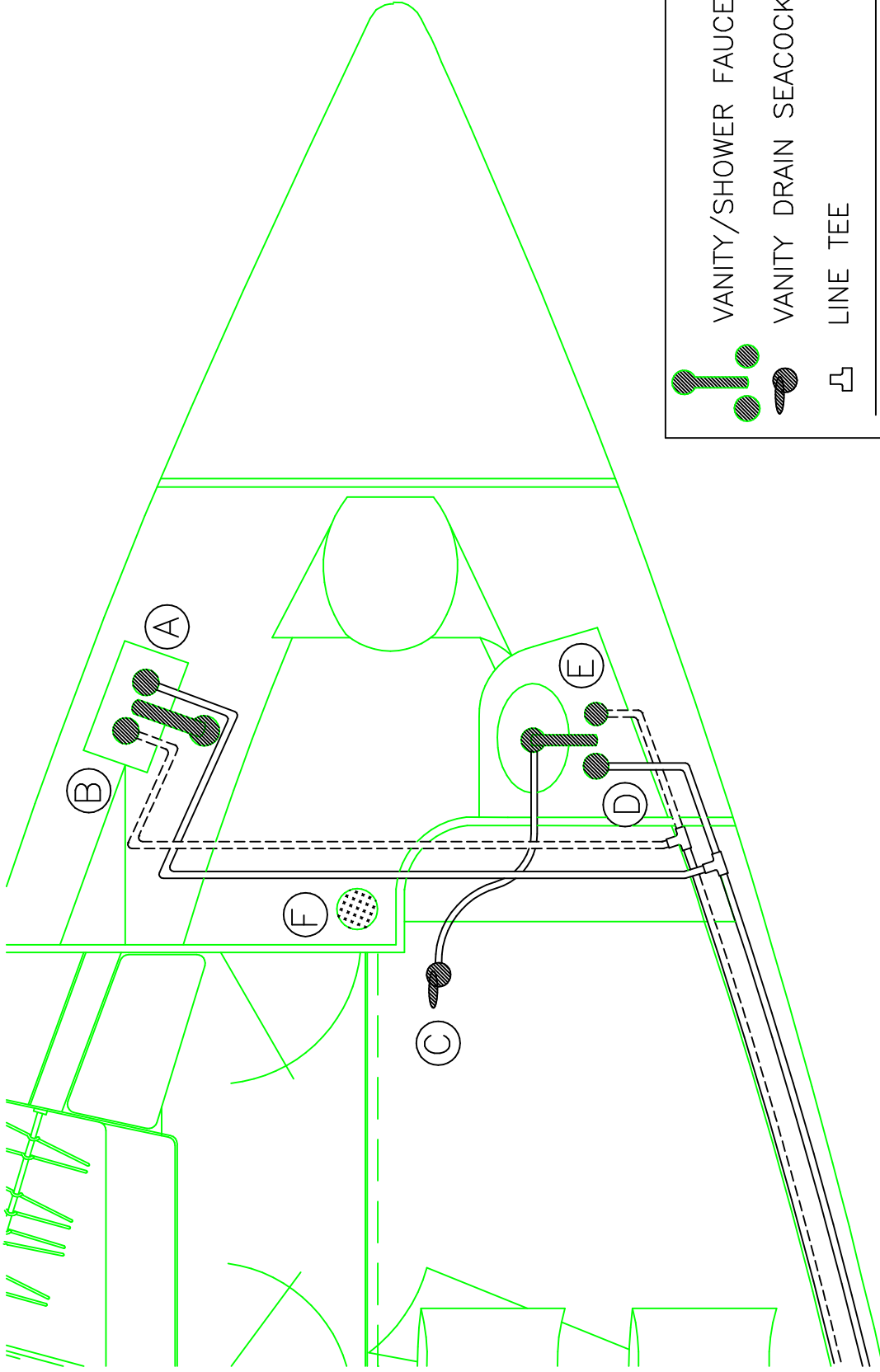
PROPRIETARY TITLE  
 This document discloses information for which HUNTER HAWKE CORP. has proprietary rights.

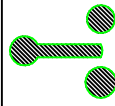


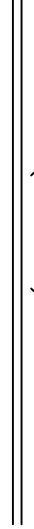
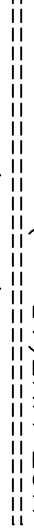
<b>P420 FRESH WATER SYSTEM LAYOUT</b>	
ISSUE NO.	4208057C-1
SCALE	NONE
DATE	7/22/98
ENGINEERING DEPT	



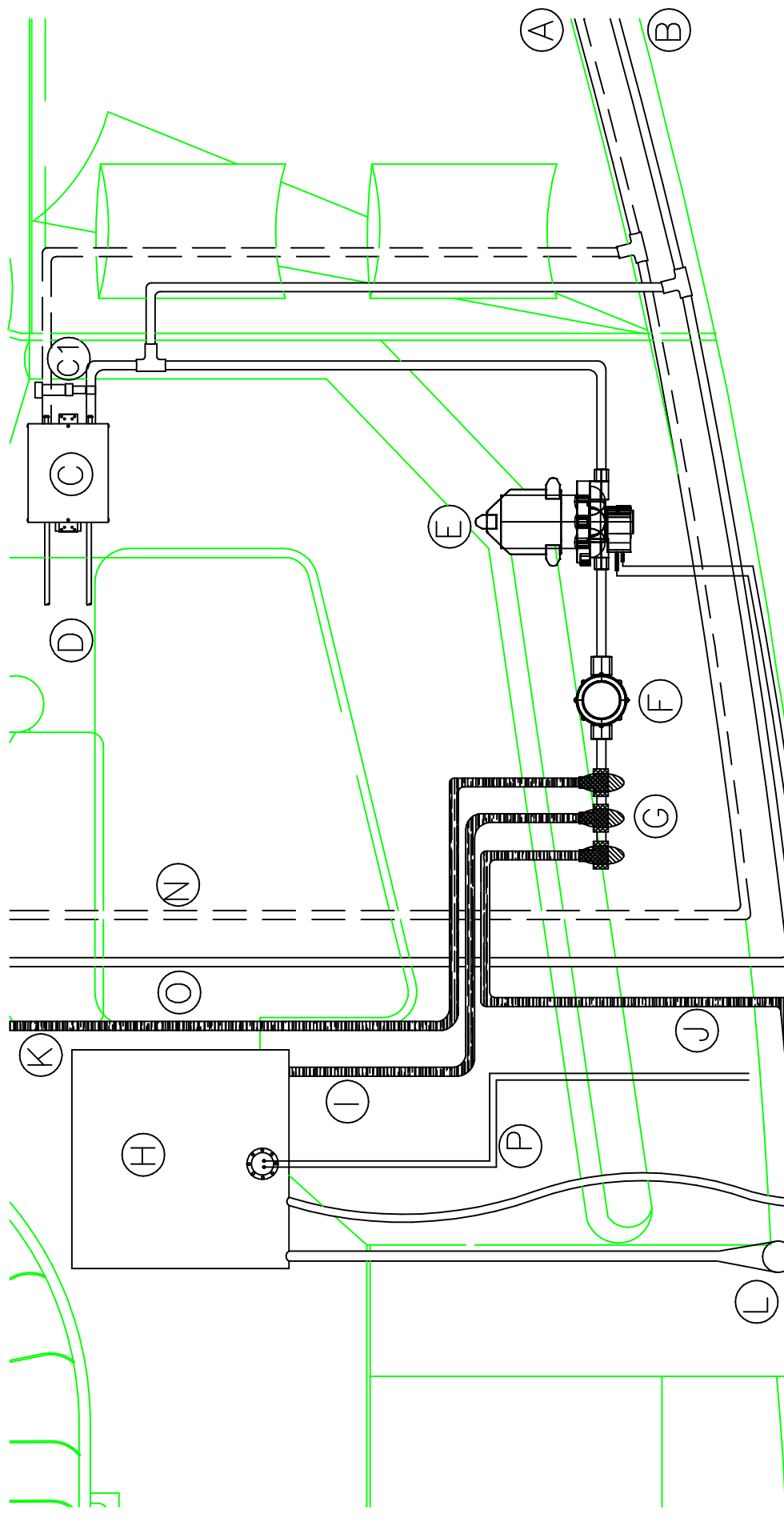
1. HOT H2O TO TRANSOM SHOWER
2. COLD H2O TO TRANSOM SHOWER
3. HOT H2O TO AFT VANITY
4. COLD H2O TO AFT VANITY
5. AFT VANITY DRAIN TO SEACOCK (HULL)
6. HOT H2O TO AFT SHOWER
7. COLD H2O TO AFT SHOWER
8. PT H2O TANK FILL LOCATION (DECK)
9. PT H2O TANK FILL VENT (DECK)  
TO VENTED STANCHION (DECK HDWR.)
10. AFT SUMP PUMP DISCHARGE (HULL)
11. AFT SUMP PUMP
12. FRIG/FREEZER DRAIN TO SUMP PUMP
13. AFT SHOWER DRAIN TO SUMP PUMP
14. GALLEY DRAIN TO SEACOCK (HULL)
15. HOT H2O TO GALLEY SINK
16. COLD H2O TO GALLEY SINK
17. PT H2O TANK
18. PT H2O FEED TO MAINFOLD
19. H2O TANK MAINFOLD
20. STBD H2O TANK
21. STBD H2O FEED TO MANIFOLD
22. STBD H2O TANK FILL VENT  
TO VENTED STANCHION (DECK HDWR.)

23. STBD H2O TANK FILL VENT (HULL)
24. AFT H2O TANK FEED TO MANIFOLD
25. AFT H2O TANK
26. AFT H2O TANK FILL LOCATION (DECK)
27. AFT H2O TANK FILL VENT (HULL)
28. H2O FILTER
29. H2O PUMP
30. H2O HEATER
- 30A. THERMOSTATIC MIXER VALVE
31. HEAT EXCHANGER LINES TO ENGINE
32. FWD SUMP PUMP
33. FWD SUMP PUMP DISCHARGE (HULL)
34. SHOWER DRAIN TO FWD SUMP PUMP
35. COLD H2O TO FWD HEAD VANITY
36. HOT H2O TO FWD HEAD VANITY
37. FWD VANITY DRAIN TO SEACOCK (HULL)
38. COLD H2O TO FWD HEAD SHOWER
39. HOT H2O TO FWD HEAD SHOWER
40. SHORE WATER INLET LINE TO SYSTEM
41. PORT H2O TANK SENDING UNIT/POWER  
LEADS TO MAIN DISTRIBUTION PANEL.
42. STBD H2O TANK SENDING UNIT/POWER  
LEADS TO MAIN DISTRIBUTION PANEL.
43. AFT H2O TANK SENDING UNIT/POWER  
LEADS TO MAIN DISTRIBUTION PANEL.



 VANITY/SHOWER FAUCET  
 VANITY DRAIN SEACOCK  
 LINE TEE  
 COLD LINE(15mm)  
 HOT LINE(15mm)

- (A) COLD H2O TO FWD SHOWER
- (B) HOT H2O TO FWD SHOWER
- (C) FWD HEAD VANITY SEACOCK DRAIN
- (D) 1" (25.4mm) DRAIN HOSE
- (E) COLD H2O TO FWD VANITY
- (F) HOT H2O TO FWD VANITY
- (F) FWD SHOWER DRAIN TO SUMP PUMP  
(SEE PG 57B-2)



WATER TANK FILL DECK FITTING

LINE TEE

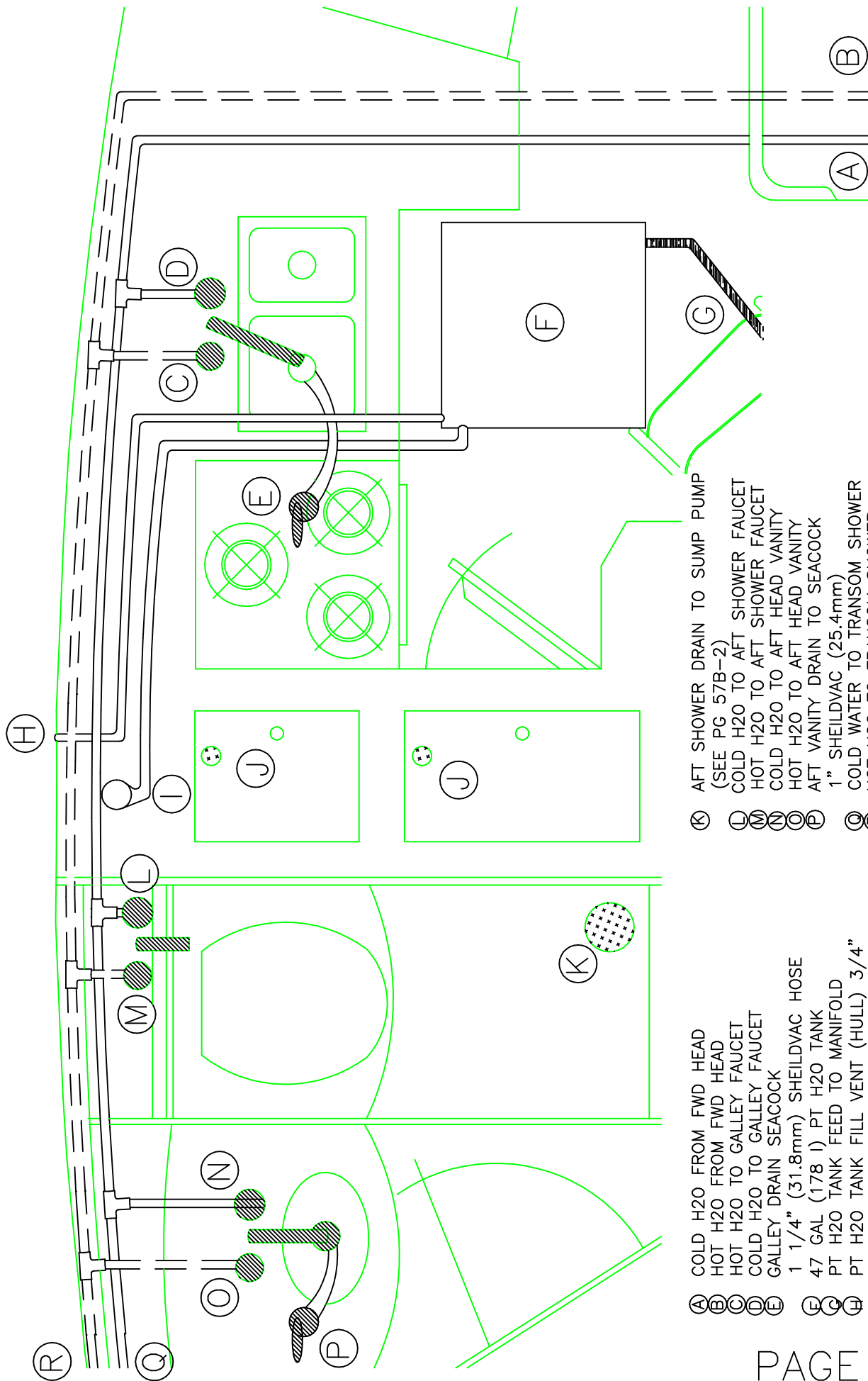
TANK TO MANIFOLD LINE  
1/2" (12.7mm)

COLD LINE(15mm)

HOT LINE(15mm)

- (A) HOT H2O TO FWD VANITY
- (B) COLD H2O TO FWD VANITY
- (C) 11 GAL (41.7 L) WATER HEATER
- (D) THERMOSTATIC MIXER VALVE
- (E) HEAT EXCHANGE LINES TO ENGINE
- (F) 12 V.D.C H2O PUMP
- (G) H2O FILTER
- (H) H2O TANKS MANIFOLD
- (I) 47 GAL (178 L.) STBD H2O TANK
- (J) STBD H2O TANK FEED TO MANIFOLD
- (K) AFT H2O TANK FEED TO MANIFOLD
- (L) PORT H2O TANK FEED TO MANIFOLD
- (M) HOT H2O TO FWD VANITY
- (N) COLD H2O TO FWD VANITY
- (O) 11 GAL (41.7 L) WATER HEATER
- (P) THERMOSTATIC MIXER VALVE
- (Q) HEAT EXCHANGE LINES TO ENGINE
- (R) 12 V.D.C H2O PUMP
- (S) H2O FILTER
- (T) H2O TANKS MANIFOLD
- (U) 47 GAL (178 L.) STBD H2O TANK
- (V) STBD H2O TANK FEED TO MANIFOLD
- (W) AFT H2O TANK FEED TO MANIFOLD
- (X) PORT H2O TANK FEED TO MANIFOLD



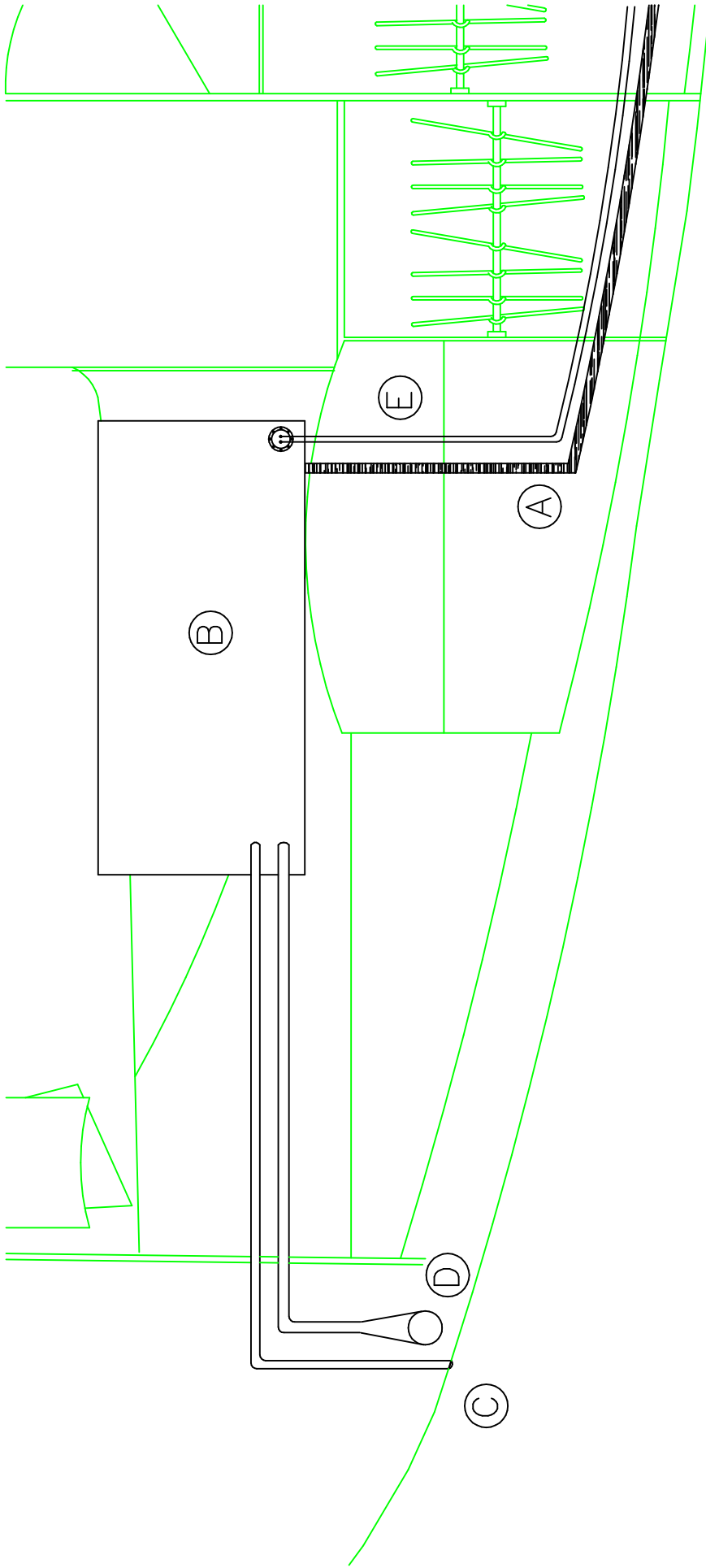


- Ⓐ COLD H2O FROM FWD HEAD
- Ⓑ HOT H2O FROM FWD HEAD
- Ⓒ HOT H2O TO GALLEY FAUCET
- Ⓓ COLD H2O TO GALLEY FAUCET
- Ⓔ GALLEY DRAIN SEACOCK
- Ⓕ 1 1/4" (31.8mm) SHEILDVAC HOSE
- Ⓖ 47 GAL (178 l) PT H2O TANK
- Ⓗ PT H2O TANK FEED TO MANIFOLD
- Ⓘ PT H2O TANK FILL VENT (HULL) 3/4" (19.1mm)
- Ⓚ TO VENTED STANCHION (DECK HDWR.)
- Ⓛ PT H2O TANK FILL LOCATION (DECK)
- Ⓜ 1 1/2" (38.1mm)
- Ⓝ FRIG / FREEZER DRAINS TO SUMP PUMP (SEE PG 57B-2)
- Ⓞ COLD H2O FROM FWD HEAD
- Ⓟ HOT H2O TO AFT SHOWER FAUCET
- Ⓠ COLD H2O TO AFT SHOWER FAUCET
- Ⓡ HOT H2O TO AFT HEAD VANITY
- Ⓢ AFT VANITY DRAIN TO SEACOCK
- Ⓣ 1" SHEILDVAC (25.4mm)
- Ⓤ COLD WATER TO TRANSOM SHOWER
- Ⓡ HOT H2O TO TRANSOM SHOWER
- Ⓚ AFT SHOWER DRAIN TO SUMP PUMP (SEE PG 57B-2)
- Ⓛ COLD H2O TO AFT SHOWER FAUCET
- Ⓜ HOT H2O TO AFT SHOWER FAUCET
- Ⓝ COLD H2O TO AFT HEAD VANITY
- Ⓞ HOT H2O TO AFT HEAD VANITY
- Ⓟ AFT VANITY DRAIN TO SEACOCK
- Ⓠ 1" SHEILDVAC (25.4mm)
- Ⓡ COLD WATER TO TRANSOM SHOWER
- Ⓢ HOT H2O TO TRANSOM SHOWER

This document describes information for which HUNTER MARINE CORP. has proprietary rights.

<b>P420 AFT HEAD/ GALLEY H2O SYSTEM LAYOUT</b>	
4208057F	NONE
ENGINEERING DEPT	DATE 7/22/98

HUNTER



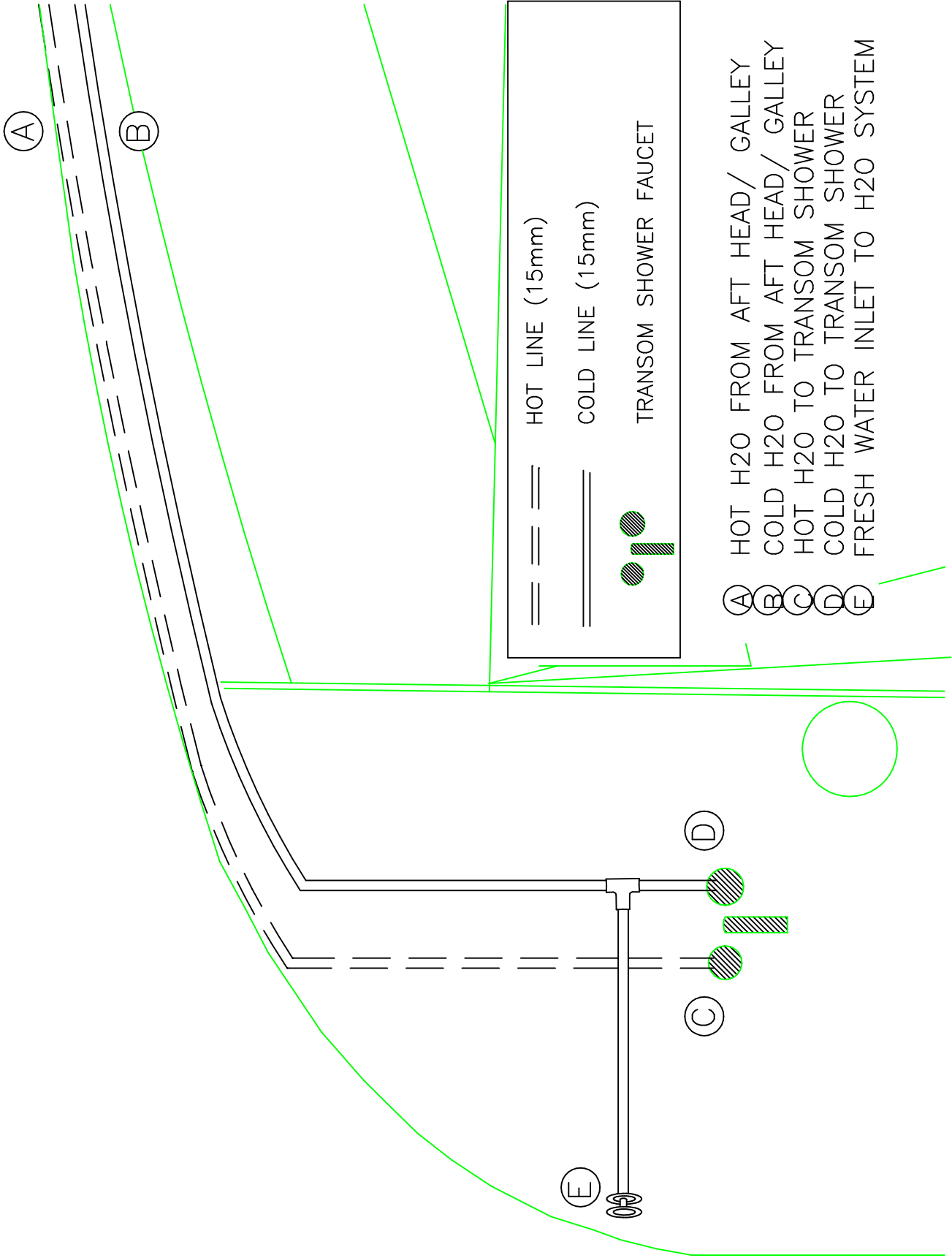
- Ⓐ AFT H2O TANK FEED TO MAINFOLD
- Ⓑ 51 GAL (193 L.) AFT H2O TANK
- Ⓒ AFT H2O TANK FILL VENT (DECK)  
3/4" (19.1mm)
- Ⓓ AFT H2O TANK FILL LOCATION (DECK)  
1 1/2" (38.1mm)
- Ⓔ AFT H2O TANK SENDING UNIT/POWER  
LEADS TO MAIN DIST. PANEL

Ⓐ TANK TO MAINFOLD LINE  
(15mm)

Ⓔ WATER TANK FILL DECK FITTING



This document describes information for which HUNTER HAWKE CORP. has proprietary rights.

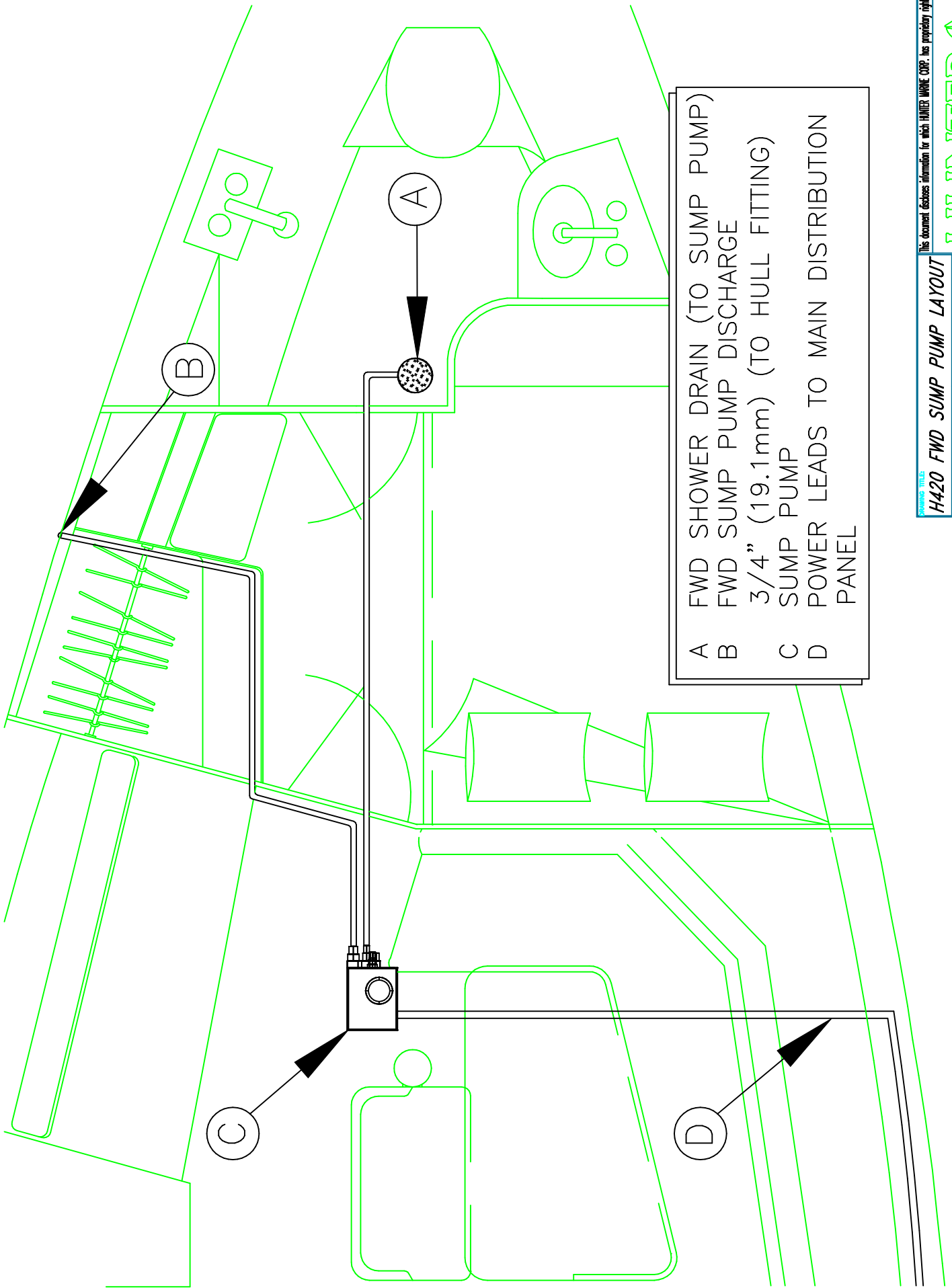


DRAWING TITLE: P420 TRANSOM SHOWER H2O SYSTEM LAYOUT  
 DRAWING NO.: 4208057H  
 ENGINEERING DEPT: ENGINEERING DEPT

SCALE: NONE  
 DATE: 7/22/98







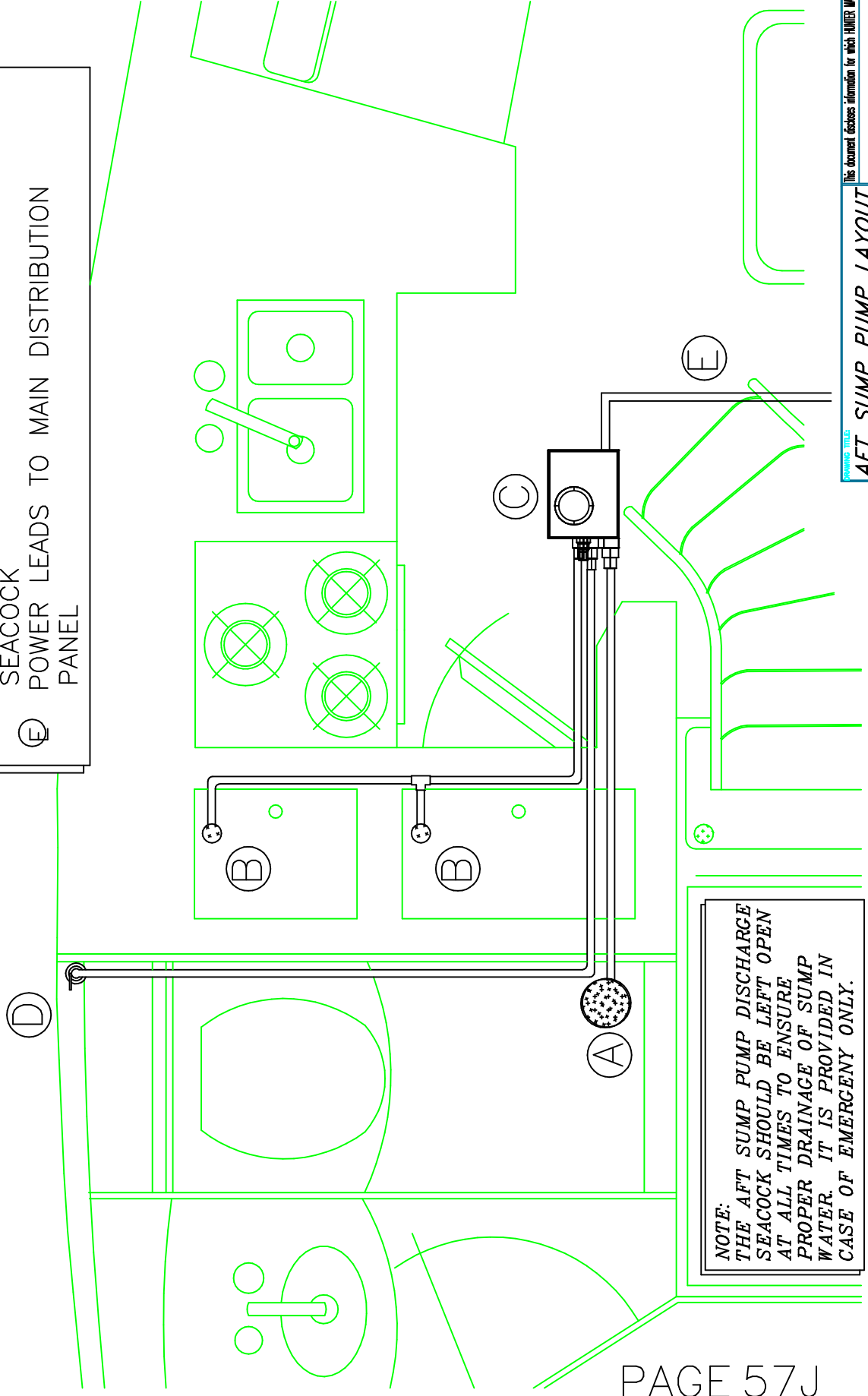
- A FWD SHOWER DRAIN (TO SUMP PUMP)
- B FWD SUMP PUMP DISCHARGE
- C 3/4" (19.1mm) (TO HULL FITTING)
- D SUMP PUMP
- E POWER LEADS TO MAIN DISTRIBUTION PANEL

PROPOSED TITLE  
 This document describes information for which HUNTER MARINE CORP. has proprietary rights.

<b>H420 FWD SUMP PUMP LAYOUT</b>	
<small>DRAWING NO.</small> 42080571	<small>SCALE</small> NONE
<small>ENGINEERING DEPT.</small> ENGINEERING DEPT.	<small>DATE</small> 2/19/99



- Ⓐ AFT SHOWER DRAIN (TO SUMP PUMP)
- Ⓑ FRIDGE/ FREEZER DRAINS TO SUMP PUMP
- Ⓒ SUMP PUMP
- Ⓓ SUMP PUMP DISCHARGE 3/4" (19.1mm) TO SEACOCK
- Ⓔ POWER LEADS TO MAIN DISTRIBUTION PANEL



**NOTE:**  
 THE AFT SUMP PUMP DISCHARGE SEACOCK SHOULD BE LEFT OPEN AT ALL TIMES TO ENSURE PROPER DRAINAGE OF SUMP WATER. IT IS PROVIDED IN CASE OF EMERGENCY ONLY.

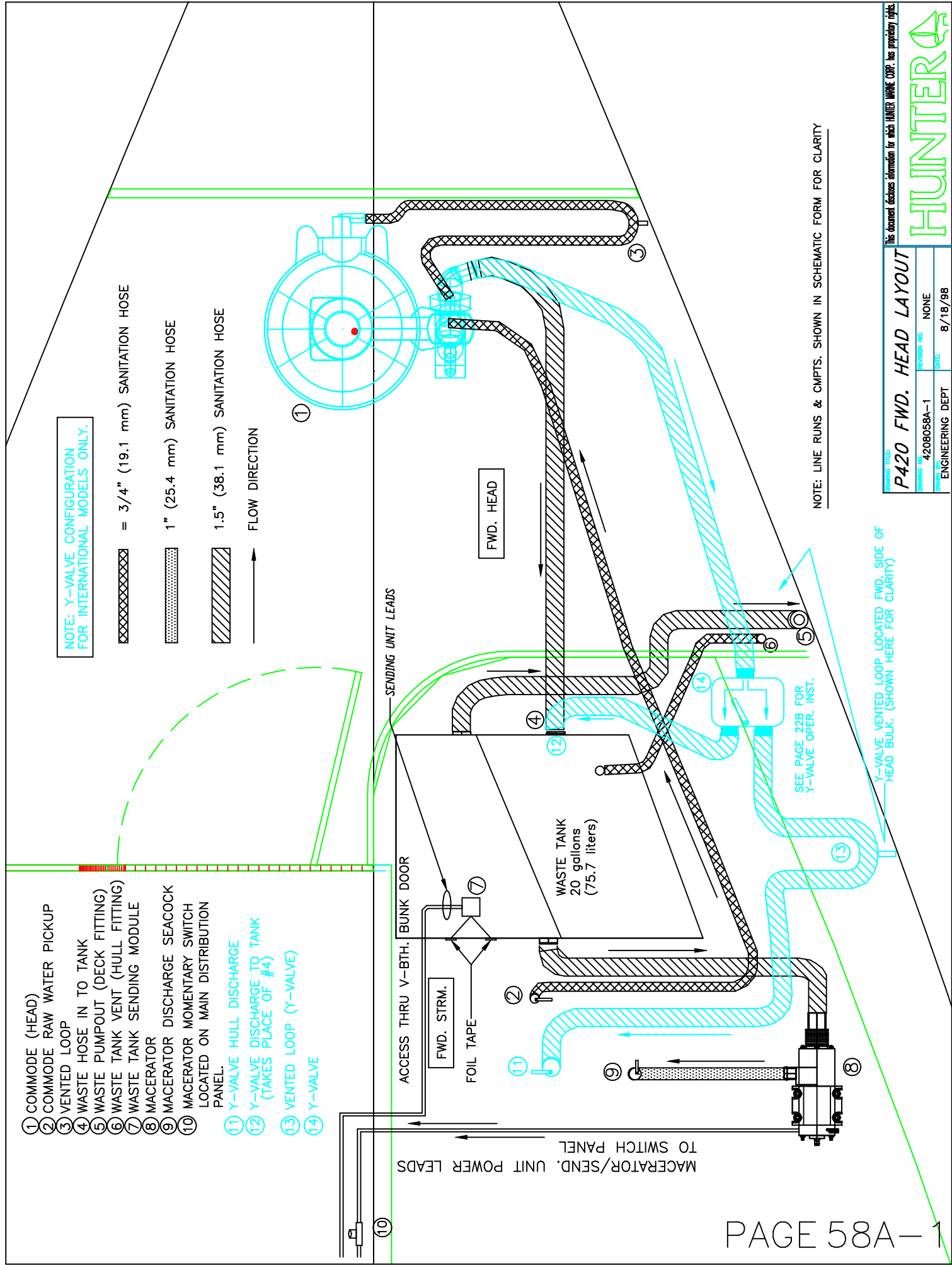
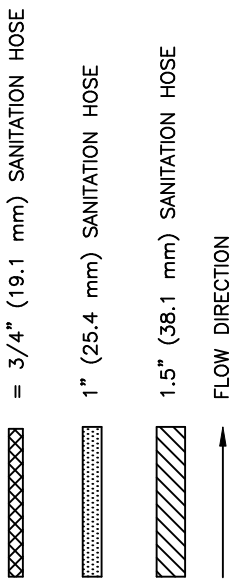
This document discloses information for which HUNTER HAWKE CORP. has proprietary rights.

<b>AFT SUMP PUMP LAYOUT</b>	
PROJECT NO. 4208057J	SCALE NONE
DESIGNED BY ENGINEERING	DATE 8/3/98

HUNTER HAWKE

- ① COMMODE (HEAD)
- ② COMMODE RAW WATER PICKUP
- ③ VENTED LOOP
- ④ WASTE HOSE IN TO TANK
- ⑤ WASTE PUMPOUT (DECK FITTING)
- ⑥ WASTE TANK VENT (HULL FITTING)
- ⑦ WASTE TANK SENDING MODULE
- ⑧ MACERATOR
- ⑨ MACERATOR DISCHARGE SEACOCK
- ⑩ MACERATOR MOMENTARY SWITCH LOCATED ON MAIN DISTRIBUTION PANEL.
- ⑪ Y-VALVE HULL DISCHARGE
- ⑫ Y-VALVE DISCHARGE TO TANK (TAKES PLACE OF #4)
- ⑬ VENTED LOOP (Y-VALVE)
- ⑭ Y-VALVE

NOTE: Y-VALVE CONFIGURATION FOR INTERNATIONAL MODELS ONLY.



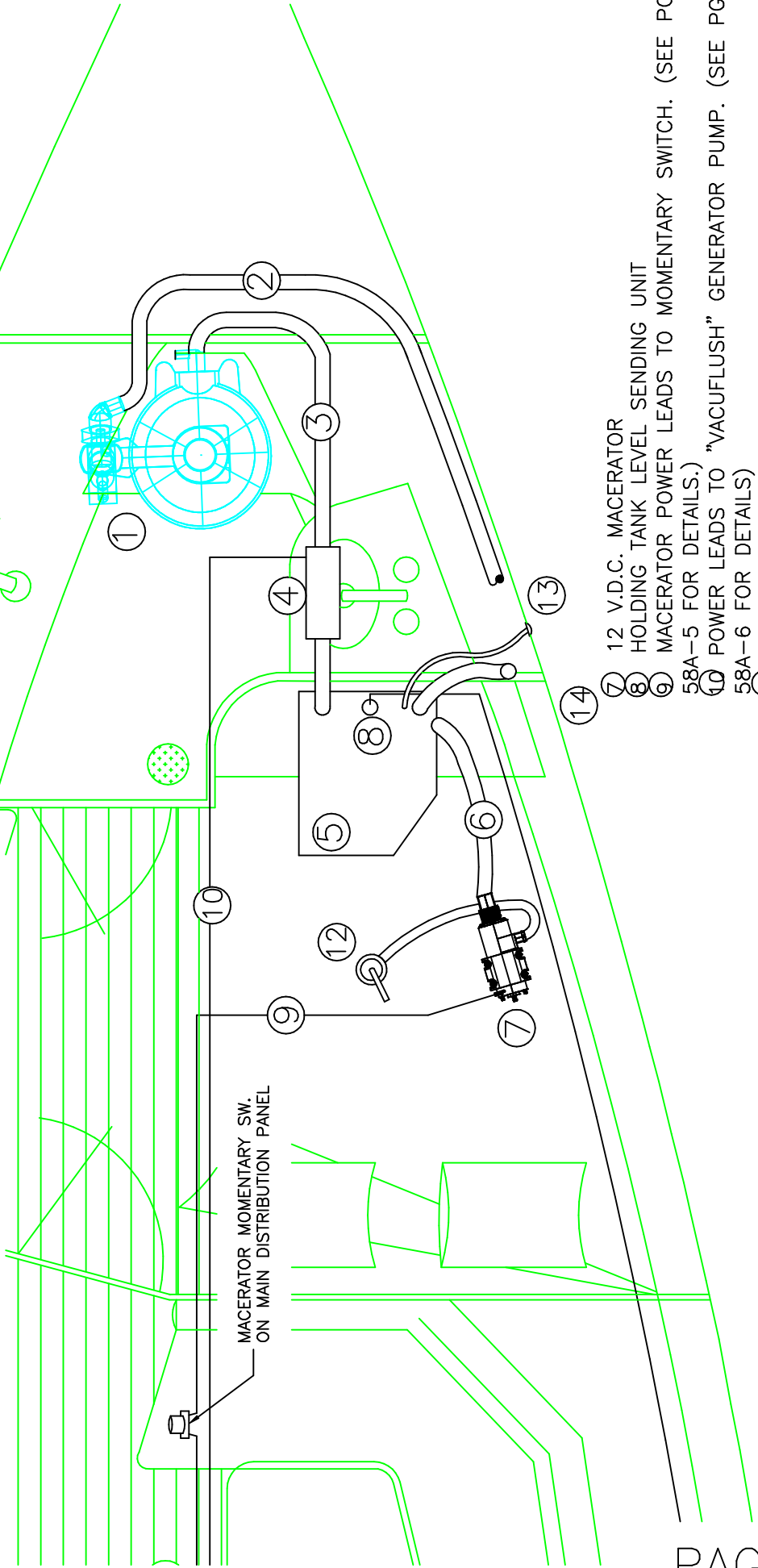
NOTE: LINE RUNS & CMPTS. SHOWN IN SCHEMATIC FORM FOR CLARITY

REVISED TITLE  
**P420 FWD. HEAD LAYOUT**  
ISSUANCE NO. 4208058A-1    REVISION NO. NONE  
ENGINEERING DEPT    DATE 8/18/98



- ① HEAD
- ② 15mm H2O LINE TO HEAD
- ③ 1 1/2" (38.7mm) SANITATION HOSE TO "VACUFLUSH" GENERATOR PUMP.
- ④ 12 V.D.C. "VACFLUSH" GENERATOR
- ⑤ FWD WASTE HOLDING TANK 22.5 US GALLONS (85.1 L)
- ⑥ 1 1/2" (38.7 mm) SANITATION HOSE TO MACERATOR FROM HOLDING TANK

MACERATOR MOMENTARY SW.  
ON MAIN DISTRIBUTION PANEL



- ⑦ 12 V.D.C. MACERATOR
- ⑧ HOLDING TANK LEVEL SENDING UNIT
- ⑨ MACERATOR POWER LEADS TO MOMENTARY SWITCH. (SEE PG. 58A-5 FOR DETAILS.)
- ⑩ POWER LEADS TO "VACUFLUSH" GENERATOR PUMP. (SEE PG. 58A-6 FOR DETAILS)
- ⑪ MACERATOR DISCHARGE SEACOCK (HULL FITTING 1 1/2" 38.1mm)
- ⑫ WASTE TANK VENT (HULL FITTING 3/4" (19.1mm)
- ⑬ WASTE PUMPOUT TO (DECK FITTING 1 1/2" (38.1mm)

SEE PAGE 58A-6 FOR OPTIONAL "VACCUFLUSH" SCHEMATIC

This document describes information for which HUNTER MARINE CORP. has proprietary rights.

<b>P420 FWD WASTE SYSTEM LAYOUT OPT. "VACUFLUSH"</b>	
<small>DESIGN NO.</small> 4208058A-2	<small>REVISION NO.</small> NONE
<small>ENGINEERING DEPT.</small>	<small>DATE</small> 3/13/98

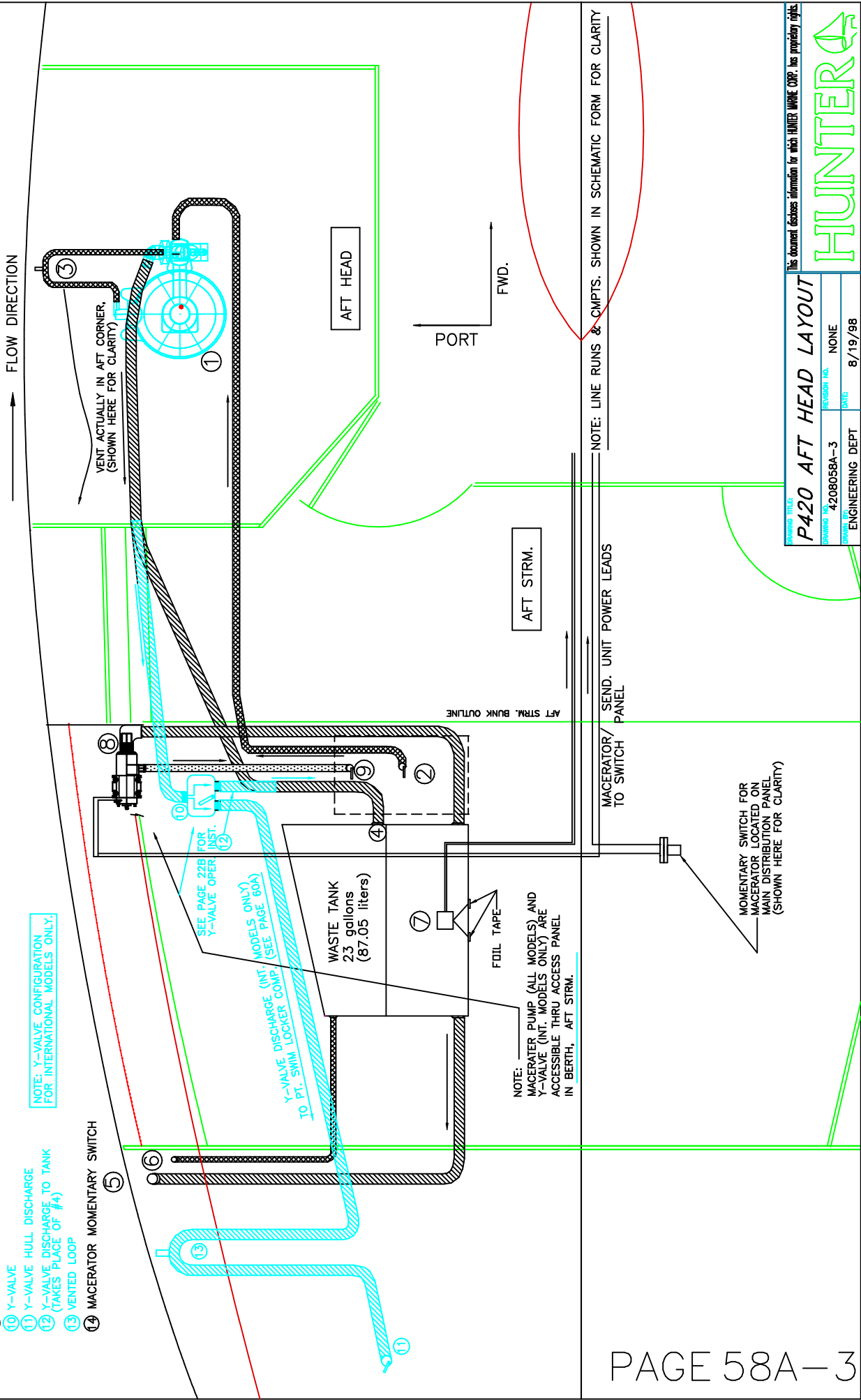
HUNTER

- ① HEAD
- ② HEAD RAW WATER PICKUP SEACOCK (SEE DWG PAGE 60C)
- ③ VENTED LOOP
- ④ WASTE HOSE IN TO TANK
- ⑤ WASTE PUMPOUT (DECK FITTING)
- ⑥ WASTE TANK VENT (HULL FITTING)
- ⑦ WASTE TANK SENDING MODULE
- ⑧ MACERATOR (BEHIND BACKREST)
- ⑨ MACERATOR DISCHARGE SEACOCK
- ⑩ Y-VALVE
- ⑪ Y-VALVE HULL DISCHARGE
- ⑫ Y-VALVE DISCHARGE TO TANK (TAKES PLACE OF #4)
- ⑬ VENTED LOOP
- ⑭ MACERATOR MOMENTARY SWITCH

NOTE: Y-VALVE CONFIGURATION FOR INTERNATIONAL MODELS ONLY.

NOTE: MACERATOR PUMP (ALL MODELS) AND Y-VALVE (INT. MODELS ONLY) ARE ACCESSIBLE THRU ACCESS PANEL IN BERTH, AFT STRM.

MOMENTARY SWITCH FOR MACERATOR LOCATED ON MAIN DISTRIBUTION PANEL (SHOWN HERE FOR CLARITY)



- ① = 3/4" (19.1 mm) SANITATION HOSE
- ② = 1" (25.4 mm) SANITATION HOSE
- ③ = 1.5" (38.1 mm) SANITATION HOSE

FLOW DIRECTION

VENT ACTUALLY IN AFT CORNER, (SHOWN HERE FOR CLARITY)

AFT HEAD

PORT

FWD.

AFT STRM.

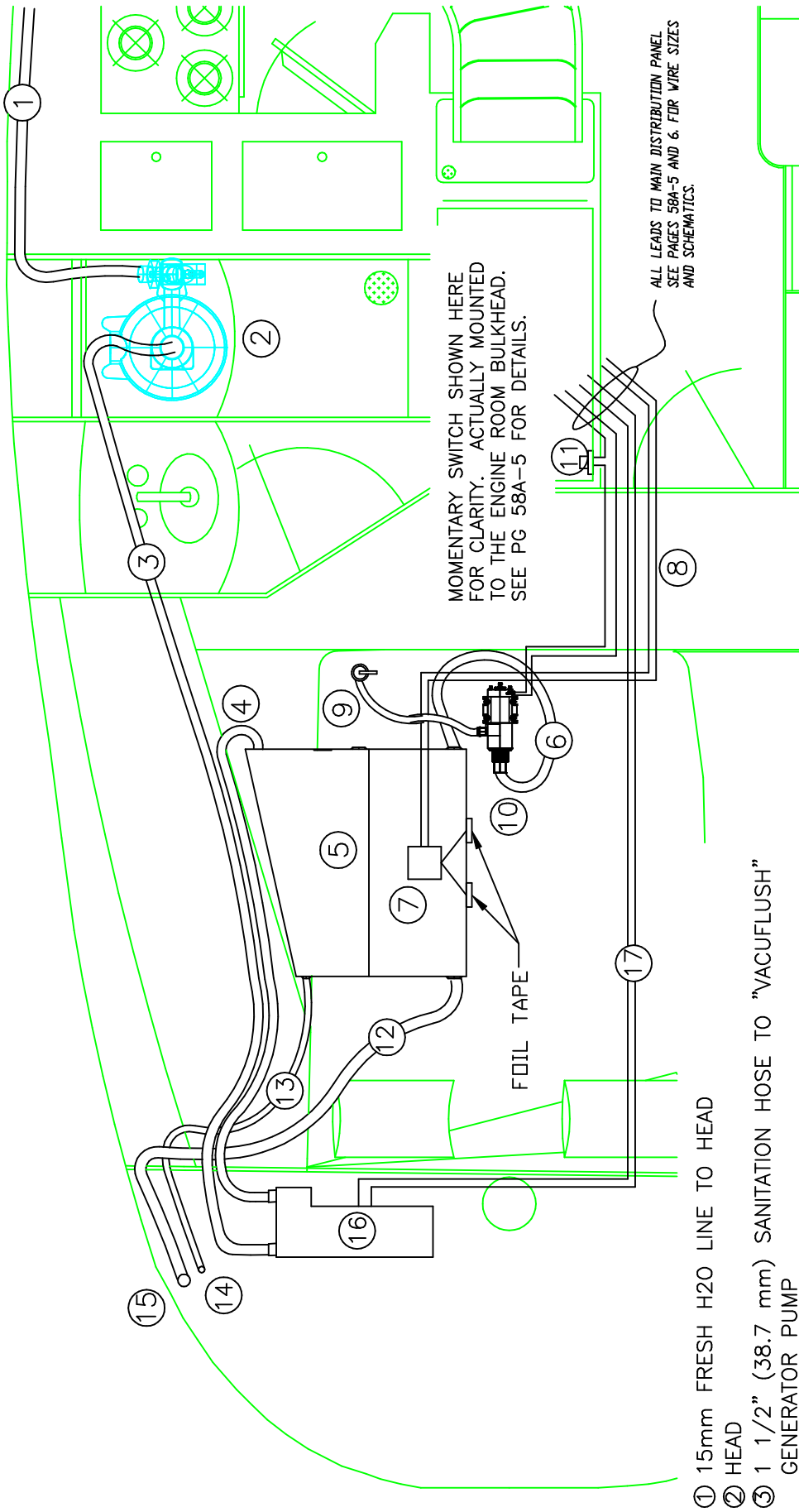
AFT STRM. BUNK OUTLINE

MACERATOR/ SEND. UNIT POWER LEADS TO SWITCH PANEL

NOTE: LINE RUNS & CMPTS. SHOWN IN SCHEMATIC FORM FOR CLARITY

DRAWING TITLE: **P420 AFT HEAD LAYOUT**  
 DRAWING NO.: 4208058A-3  
 REVISION NO.: NONE  
 DATE: 8/19/98  
 DEPT: ENGINEERING DEPT  
 This document discloses information for which HUNTER MARINE CORP. has proprietary rights.

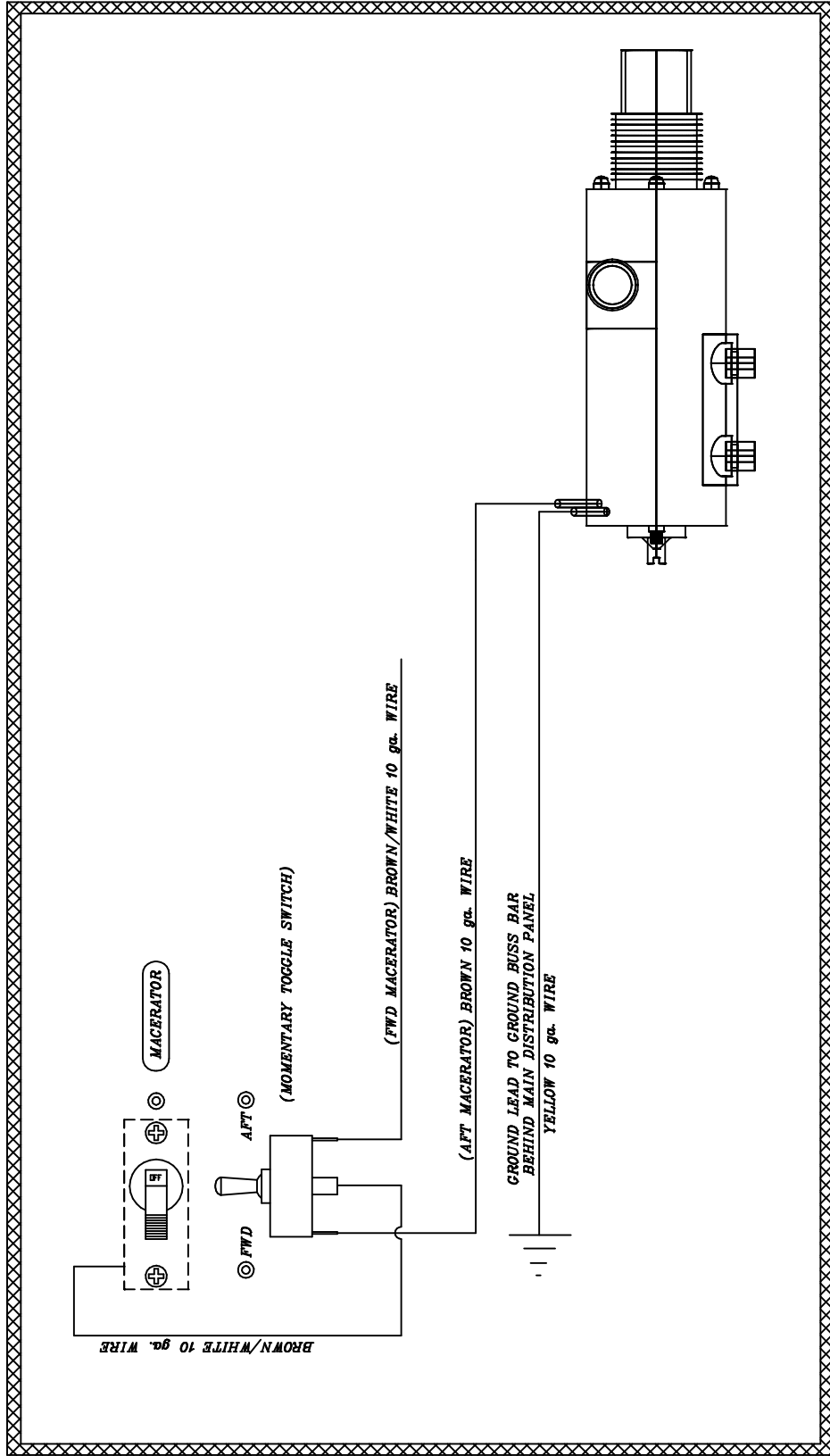




- ① 15mm FRESH H2O LINE TO HEAD
- ② HEAD
- ③ 1 1/2" (38.7 mm) SANITATION HOSE TO "VACUFLUSH" GENERATOR PUMP
- ④ 1 1/2" (38.7 mm) "VACUFLUSH" GENERATOR HOSE TO HOLDING TANK
- ⑤ AFT WASTE HOLDING TANK 22.5 U.S. GALLONS (85.1 L)
- ⑥ 1 1/2" (38.7 mm) SANITATION HOSE TO MACERATOR FROM HOLDING TANK
- ⑦ HOLDING TANK LEVEL SENDING UNIT
- ⑧ HOLDING TANK INDICATOR LEADS TO GAUGE
- ⑨ 1" (25.4 mm SANITATION HOSE) MACERATOR DISCHARGE
- ⑩ 12 V.D.C MACERATOR (UNDER PT SIDE AFT BUNK)
- ⑪ MOMENTARY SWITCH FOR MACERATOR POWER LEADS
- ⑫ 1 1/2" (38.7) SANITATION HOSE TO DECK PUMPOUT
- ⑬ 3/4" (19.1mm) SANITATION HOSE HOLDING TANK VENT
- ⑭ HOLDING TANK VENT (HULL FITTING)
- ⑮ HOLDING TANK PUMPOUT (DECK FITTING)
- ⑯ "VACUFLUSH" GENERATOR PUMP
- ⑰ POWER LEADS FROM "VACUFLUSH" GENERATOR PUMP TO MAIN BREAKER PANEL



THE MACERATOR MOMENTARY SWITCH IS PROVIDED TO PROHIBIT THE "DRY RUNNING" OF THE MACERATOR. TO OPERATE THE MACERATOR, TURN THE MACERATOR BREAKER TO THE "ON" POSITION. WHILE EITHER WATCHING THE WASTE TANK LEVEL INDICATOR, OR LISTENING TO THE PITCH OF THE PUMP, HOLD THE MOMENTARY SWITCH FORWARD OR AFT. THIS WILL ACTIVATE THE MACERATOR. ONCE THE TANK LEVEL INDICATOR REACHES "EMPTY", OR THE PITCH CHANGES NOTICEABLY, RELEASE THE MOMENTARY SWITCH AND TURN THE BREAKER TO THE "OFF" POSITION. NOTE: THE TANK MONITOR UPDATES SLOWLY, THEREFORE IT IS MORE AFFECTIVE AND SAFER FOR THE PUMP IF THE OPERATOR USES THE "LISTENING" METHOD TO DETERMINE IF THE TANK HAS BEEN EMPTIED.



MACERATOR SCHEMATIC  
TYPICAL

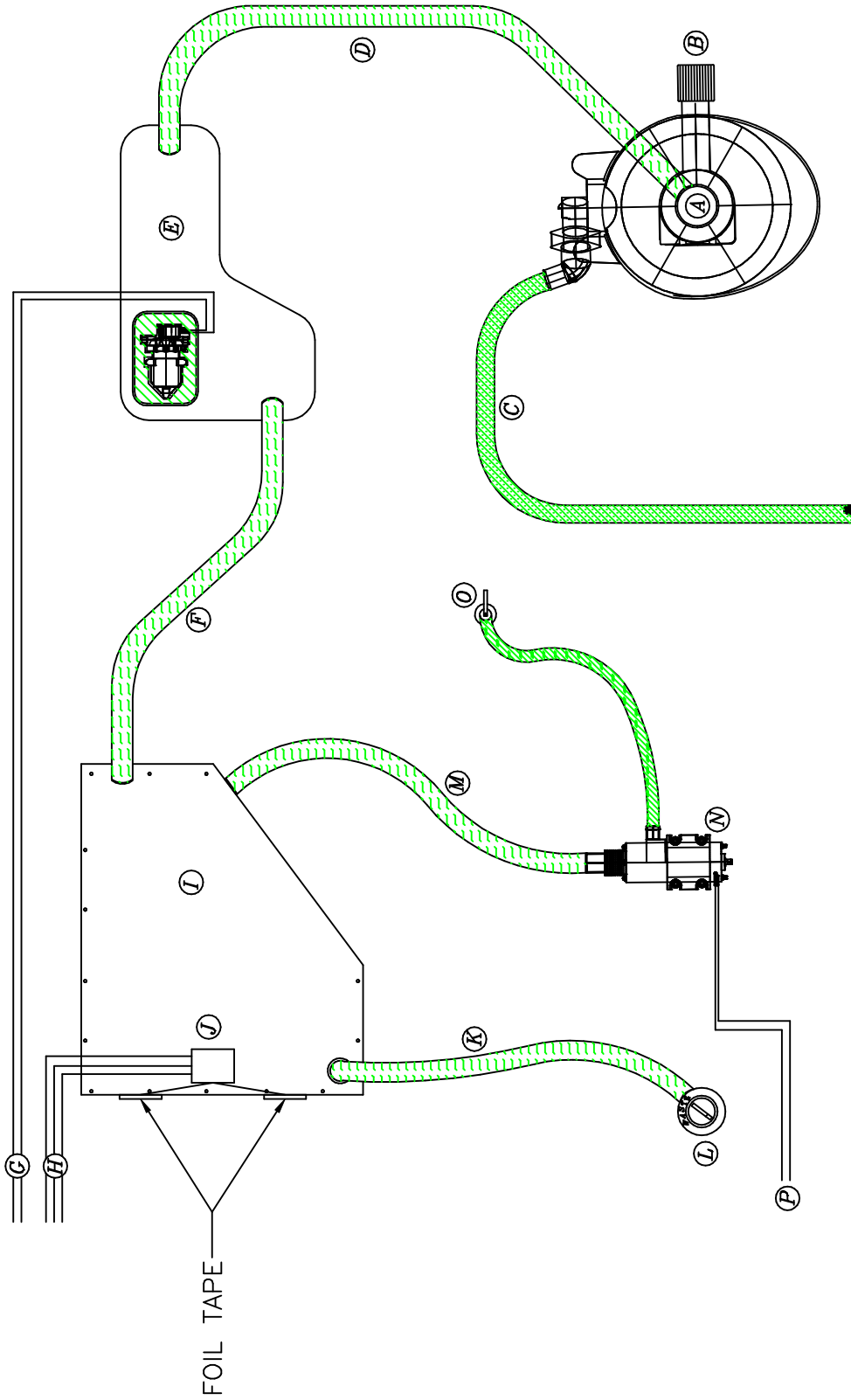
MOMENTARY SWITCH LOCATION

**P420 BASIC MACERATOR WIRING SCHEMATIC**

PROJECT NO.	4208058A-5	REVISION NO.	NONE
ENGINEERING DEPT		DATE	1/20/99

This document contains information for which HUNTER ENGINE CORP. has proprietary rights.





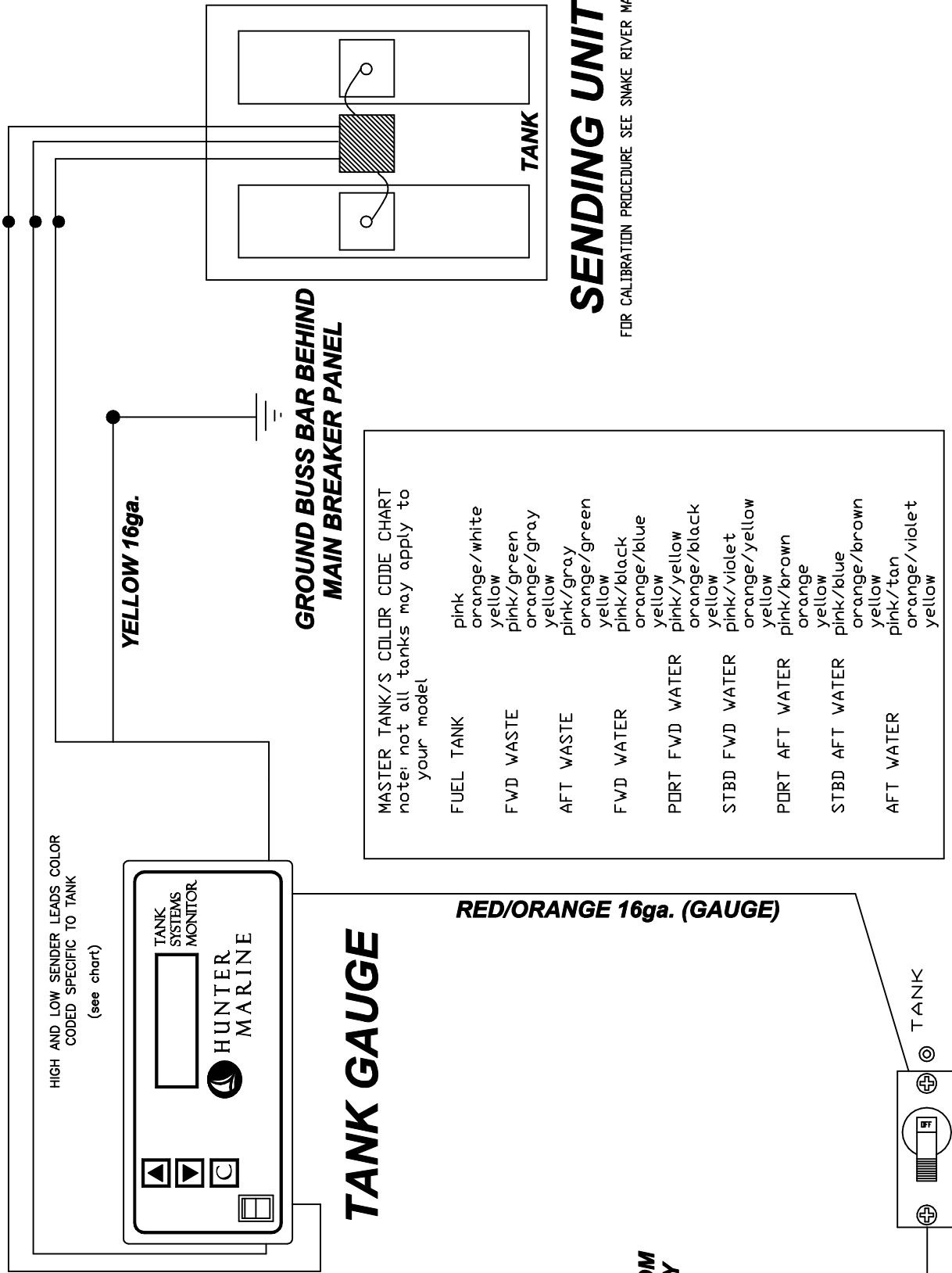
- (A) "VACCUFLUSH" HEAD
- (B) PEDAL TO ENGAGE FLUSHING SEQUENCE
- (C) FRESH H2O QUEST LINE FEED. TEED FROM CLOSEST SOURCE. (EX. VANITY SINK OR SHOWER)
- (D) WASTE HOSE FROM HEAD TO GENERATOR.
- (E) "VACCUFLUSH" GENERATOR PUMP
- (F) WASTE HOSE FROM GEN. TO HOLDING TANK
- (G) GEN. POWER LEAD TO MAIN DIST. PANEL.
- (H) SENDING UNIT LEADS TO MAIN DIST. PANEL.
- (I) TYP. WASTE HOLDING TANK

- (J) SENDING MODULE.
- (K) WASTE HOSE TO DECK PUMP OUT.
- (L) DECK FITTING.
- (M) WASTE HOSE FROM TANK TO MACER.
- (N) MACERATOR
- (O) WASTE HOSE FROM MACER. TO SEACOCK.
- (P) MACER. POWER LEAD TO MAIN DIST. PANEL.

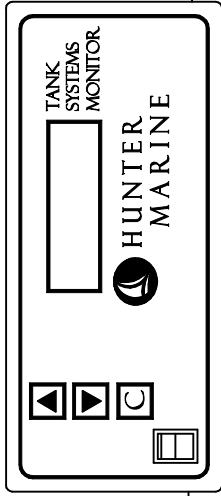


This document describes information for which HUNTER MARINE CORP. has proprietary rights.





HIGH AND LOW SENDER LEADS COLOR  
CODED SPECIFIC TO TANK  
(see chart)



# TANK GAUGE

**RED/ORANGE 16ga. (GAUGE)**

**12V. FROM  
BATTERY**



BREAKER ON MAIN DISTRIBUTION PANEL

# GROUND BUSS BAR BEHIND MAIN BREAKER PANEL

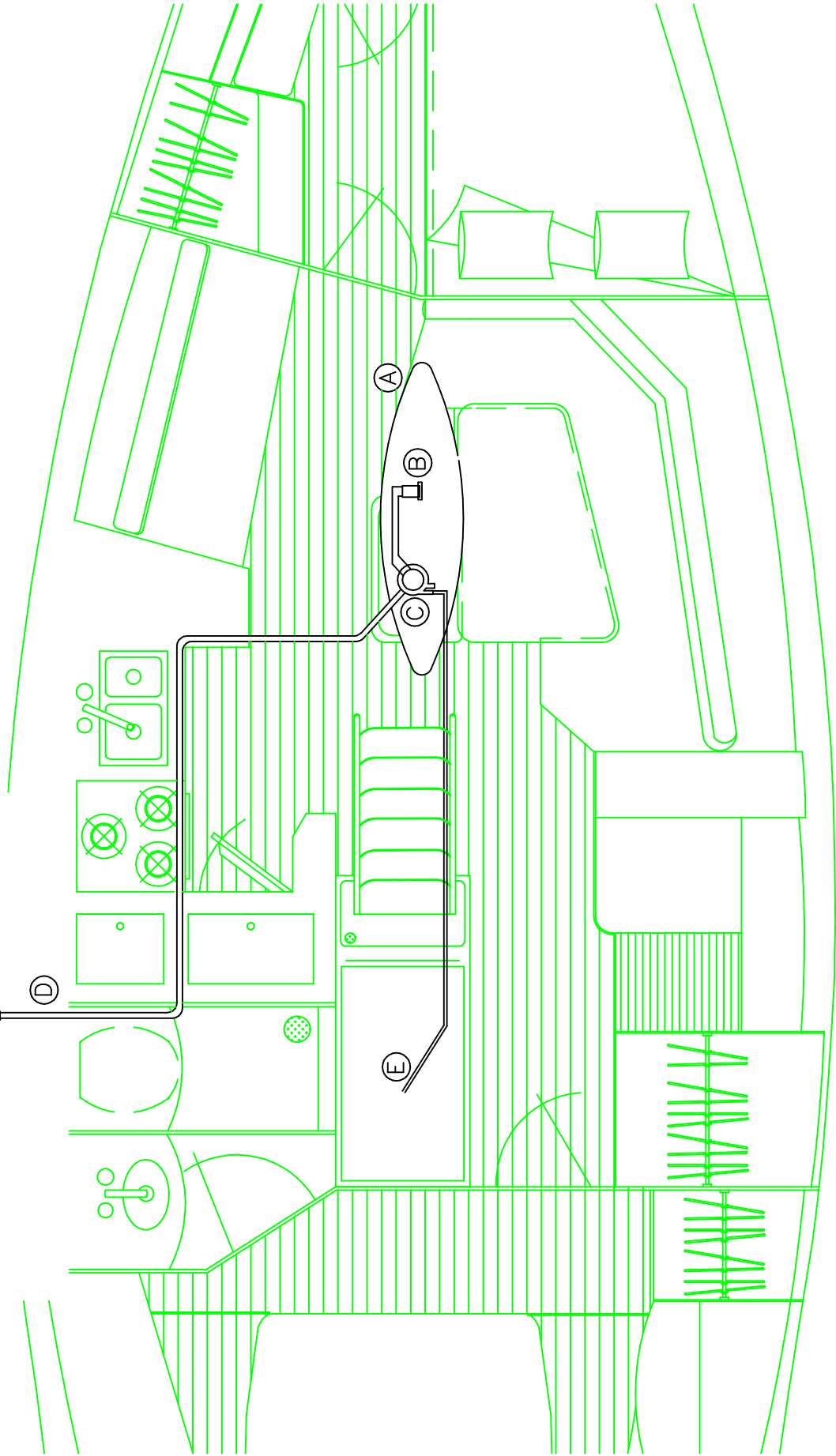
MASTER TANK/S COLOR CODE CHART  
note: not all tanks may apply to  
your model

FUEL TANK	pink orange/white yellow
FWD WASTE	pink/green orange/gray
AFT WASTE	yellow pink/gray orange/green
FWD WATER	yellow pink/black orange/blue
PORT FWD WATER	pink/yellow orange/black
STBD FWD WATER	yellow pink/violet orange/yellow
PORT AFT WATER	yellow pink/brown orange
STBD AFT WATER	yellow pink/blue orange/brown
AFT WATER	yellow pink/tan orange/violet

# SENDING UNIT

FOR CALIBRATION PROCEDURE SEE SNAKE RIVER MANUAL

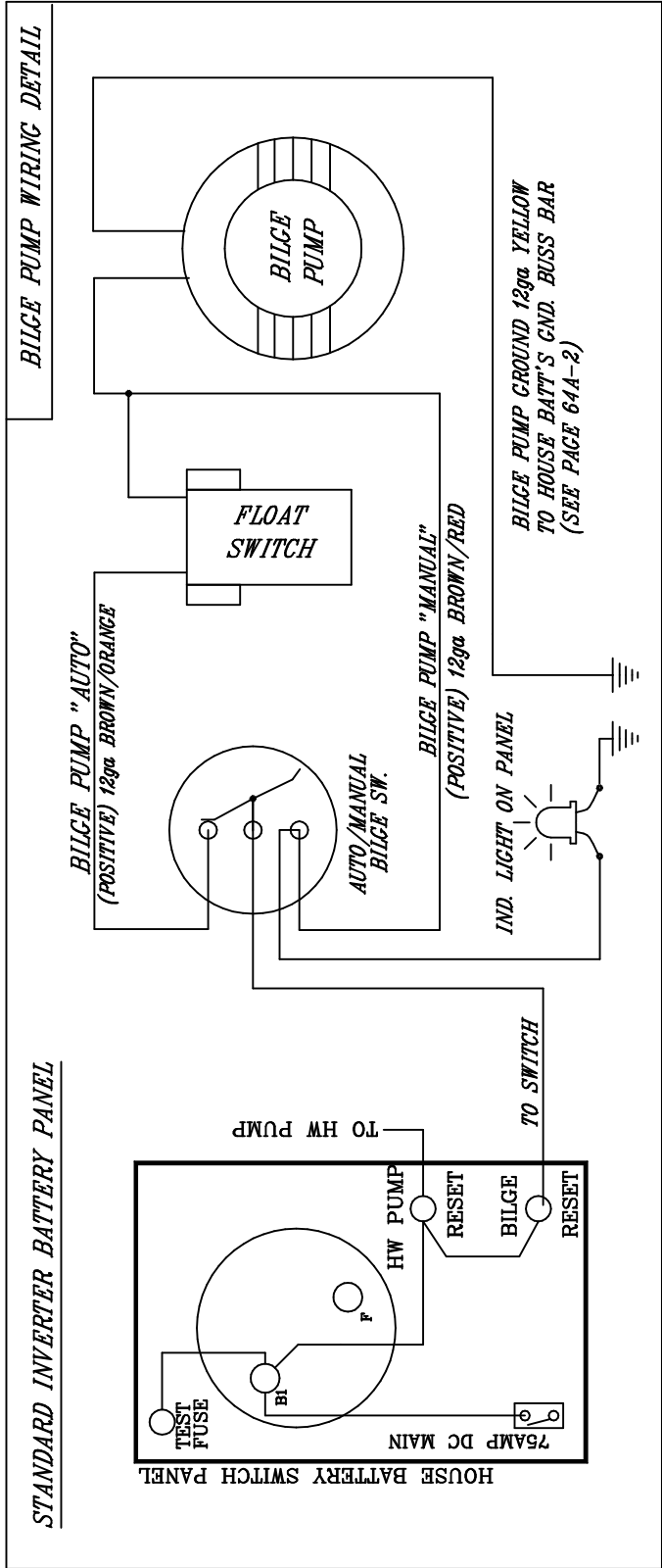
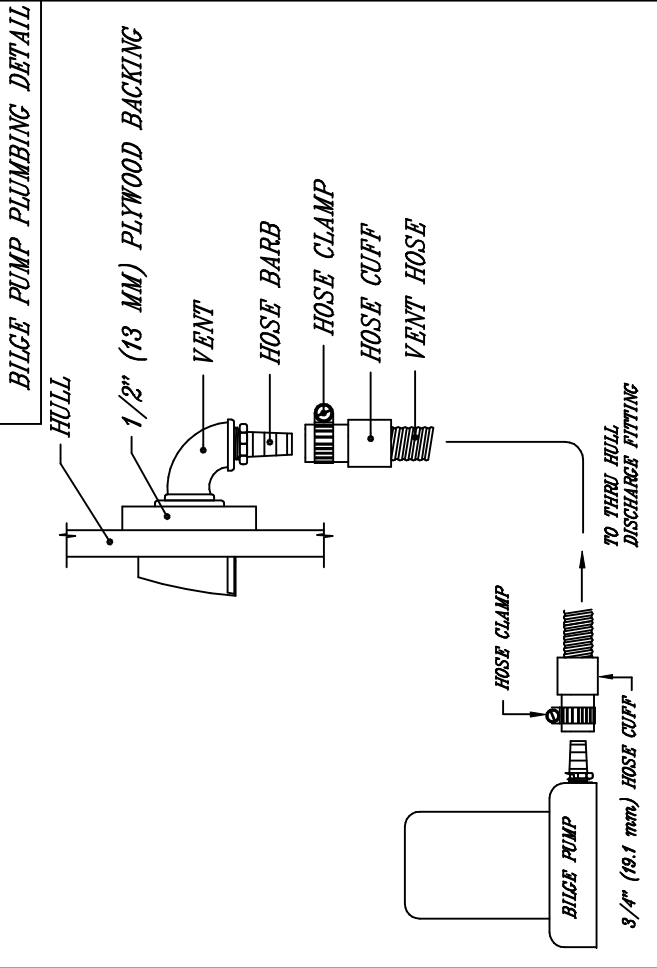
- Ⓐ KEEL SUMP
- Ⓑ BILGE PUMP FLOAT SWITCH
- Ⓒ 12V.D.C BILGE PUMP
- Ⓓ BILGE PIMP DISCHARGE TO HULL FITTING (3/4" 19.1mm)
- Ⓔ BILGE PUMP POWER LEAD TO BREAKER PANEL (SEE PG 59B)



This document contains information for which HUNTER MARINE CORP. has proprietary rights.

**HUNTER**

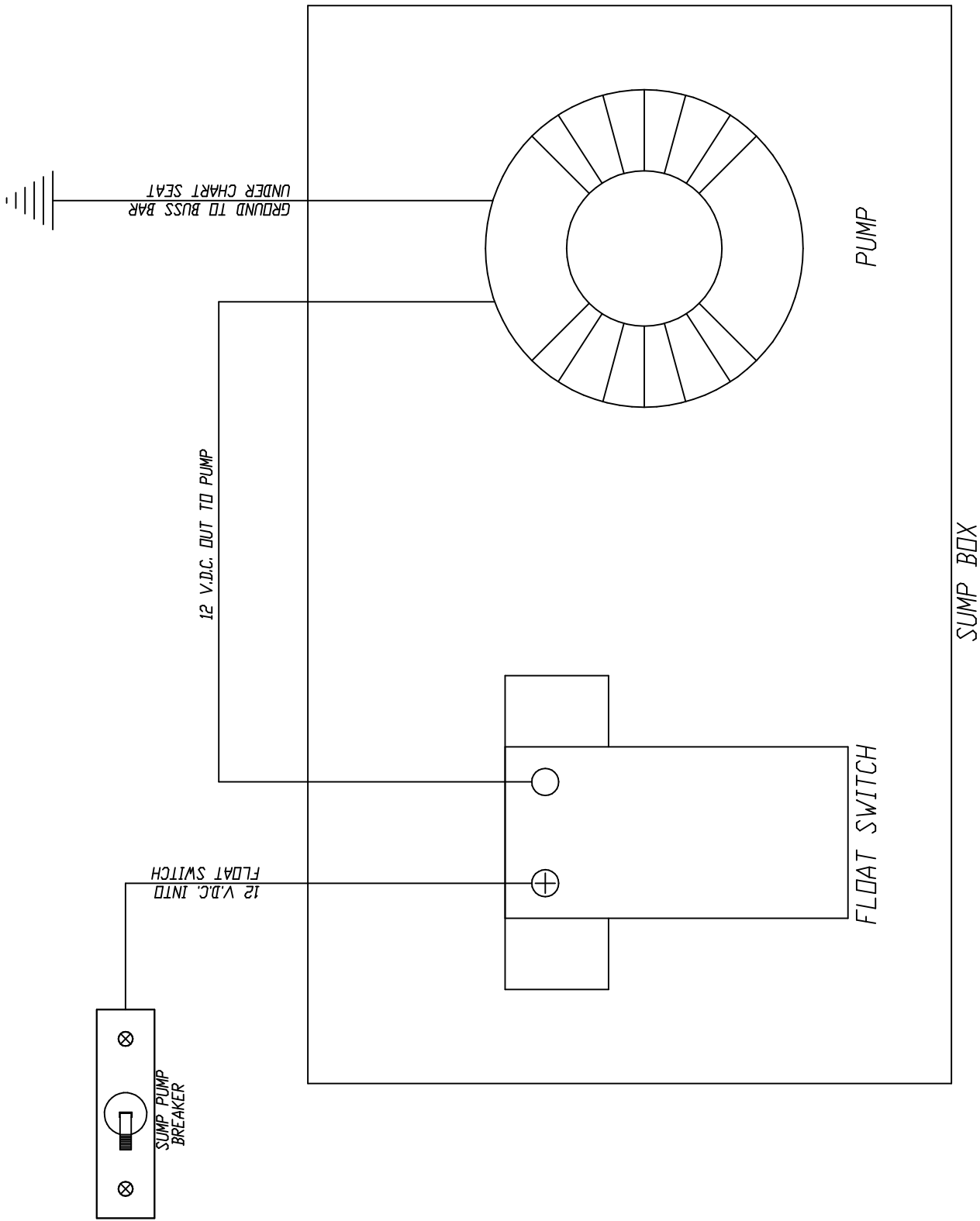
<b>P420 MAIN BILGE PUMP SYSTEM</b>			
REVISED NO.	4208059A	REVISION NO.	NONE
DATE		DATE	3/16/98
ENGINEERING DEPT.			



This document describes information for which HUNTER MARINE CORP. has proprietary rights.

<b>P420 BILGE SYSTEM DETAILS</b>	
FORM NO.	420B059B
REVISION NO.	NONE
DATE	1/21/99
ENGINEERING DEPT.	

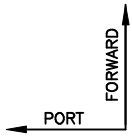
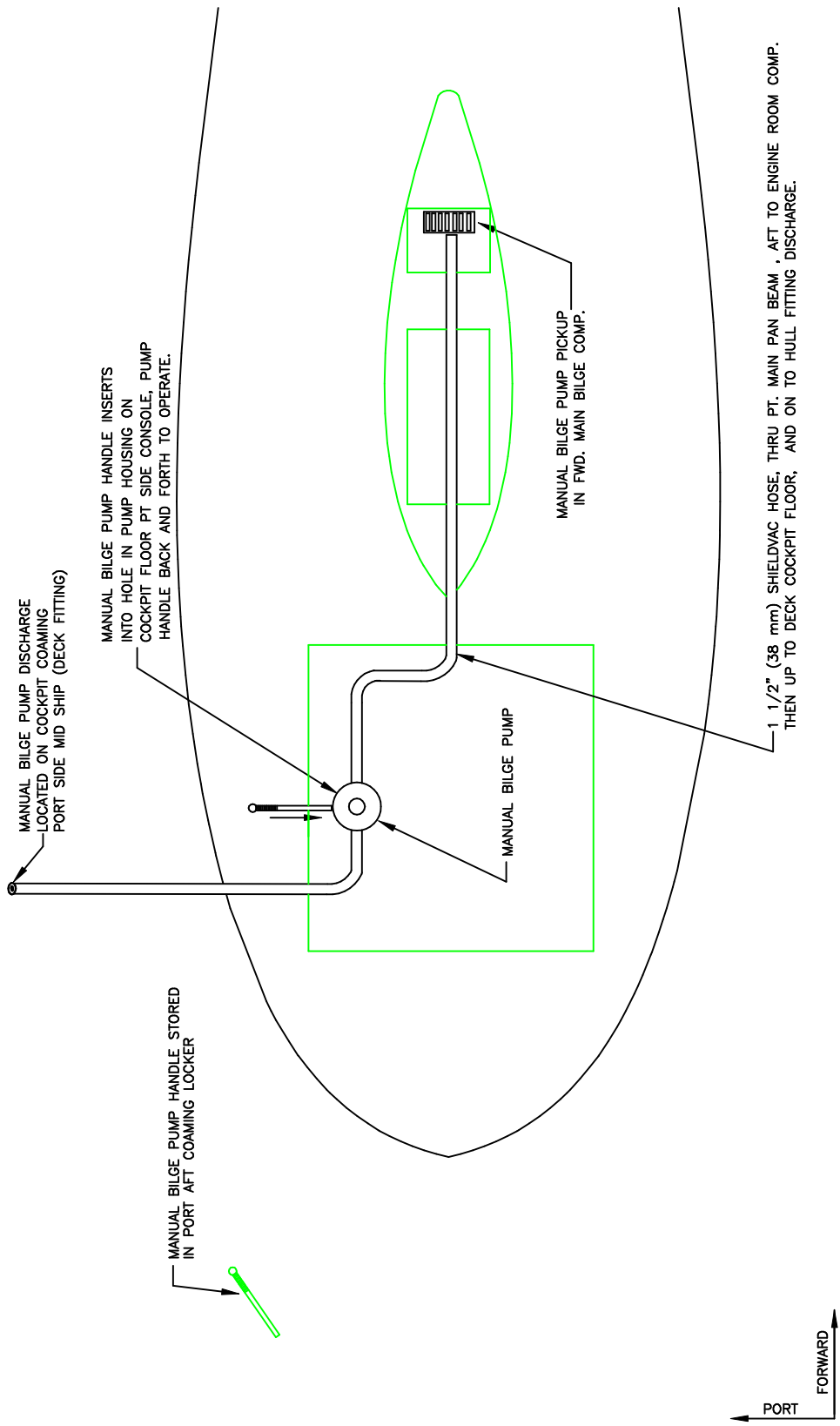




This document describes information for which HUNTER HAWK CORP. has proprietary rights.



<b>420 SUMP PUMP SCHEMATIC</b>			
REVISED BY	420B059C	REVISION NO.	NONE
ENGINEERING DEPT.		DATE	3/16/98



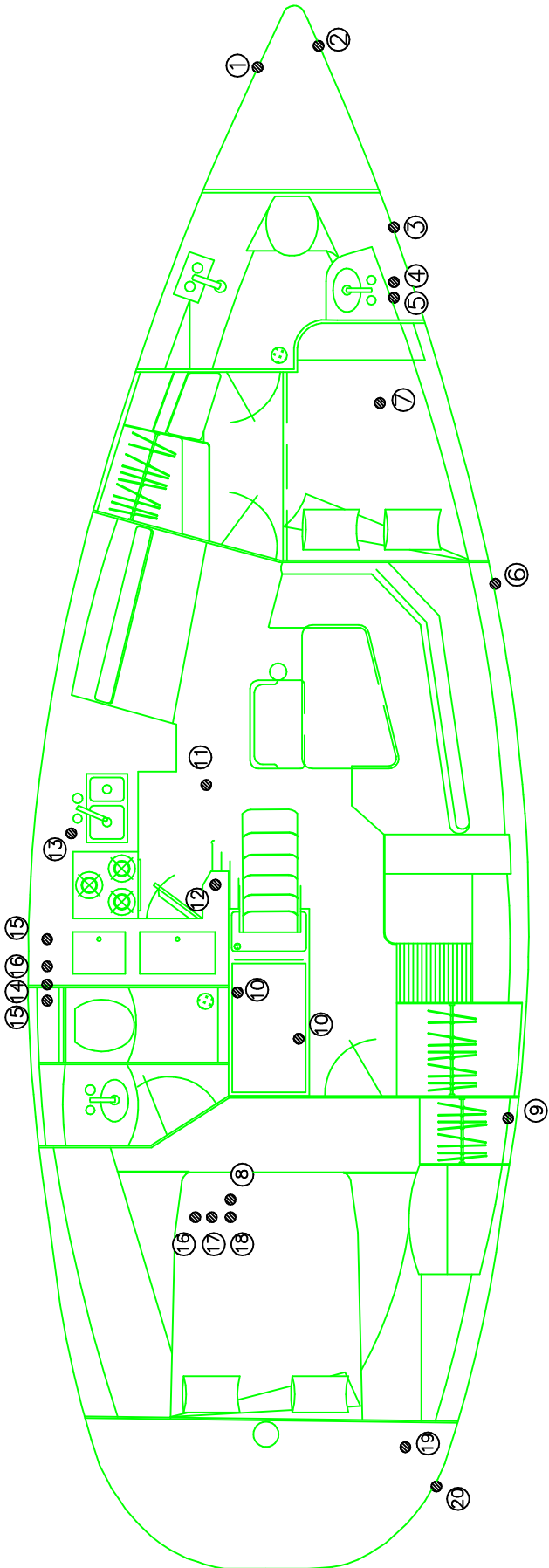
1 1/2" (38 mm) SHIELDVAC HOSE, THRU PT. MAIN PAN BEAM , AFT TO ENGINE ROOM COMP. THEN UP TO DECK COCKPIT FLOOR, AND ON TO HULL FITTING DISCHARGE.

This document describes information for which HUNTER MARINE CORP. has proprietary rights.

**P420 MANUAL BILGE PUMP LAYOUT**

REVISED NO.	4208059D	REVISION NO.	NONE
DATE	3/17/98	ENGINEERING DEPT	

**HUNTER**



- 12 OPT GENERATOR RAW WATER PICKUP\*\*
- 13 LPG LOCKER DRAIN
- 14 PT. SUMP PUMP DISCHARGE\*\*
- 15 MAIN BILGE PUMP DISCHARGE
- 16 ENGINE RAW WATER PICKUP\*\*
- 17 AFT VANITY SINK DISCHARGE\*\*
- 18 AFT MACERATOR DISCHARGE\*\*
- 19 ENGINE EXHAUST
- 20 OPT GENERATOR EXHAUST

- 1 PORT ANCHOR WELL DRAIN
- 2 STBD. ANCHOR WELL DRAIN
- 3 FWD WASTE TANK VENT
- 4 FWD HEAD MACERATOR DISCHARGE\*\*
- 5 FWD VANITY SINK DISCHARGE\*\*
- 6 STBD. SUMP PUMP DISCHARGE\*\*
- 7 FWD HEAD WATER PICKUP (NOT ON VACUFLUSH MODELS)\*\*
- 8 AFT HEAD WATER PICKUP (NOT ON VACUFLUSH MODELS)\*\*
- 9 OPT WASHING MACHINE DISCHARGE\*\*
- 10 SCUPPER DRAIN DISCHARGE\*\*
- 11 GALLEY SINK DISCHARGE\*\*

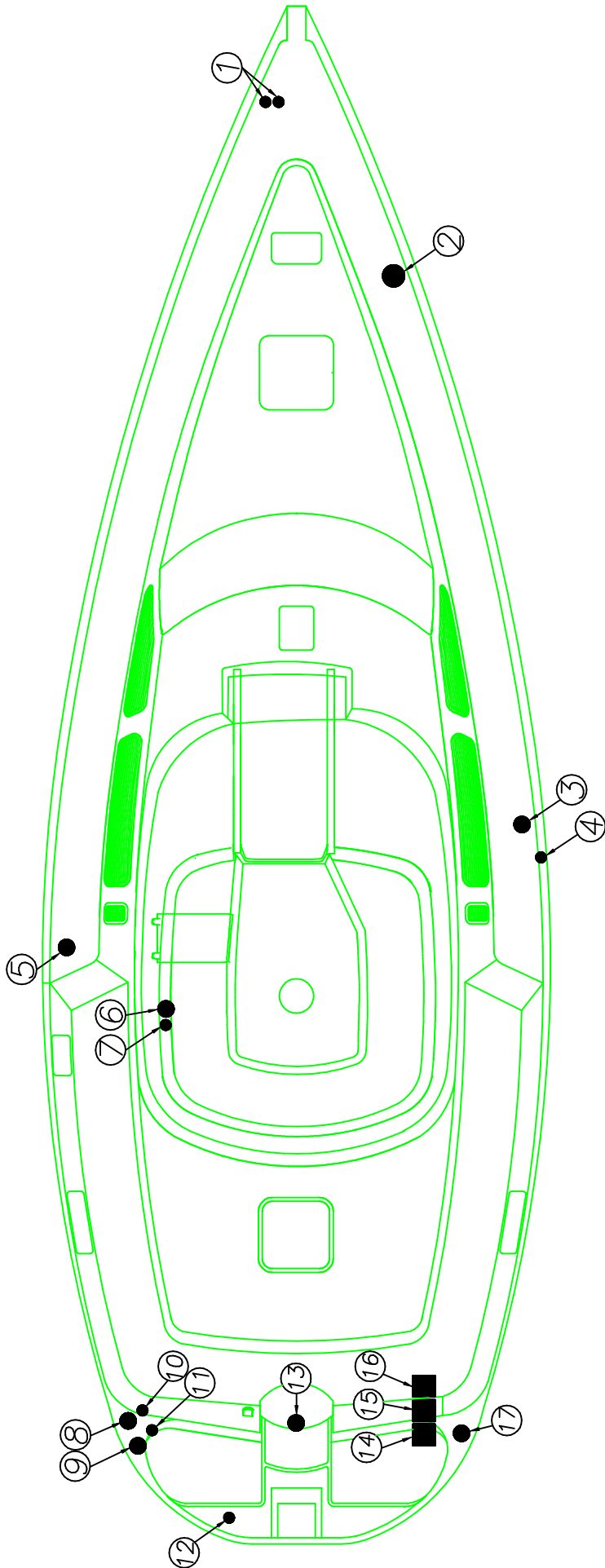
**\*\* DENOTES A SEACOCK FITTING**

THIS DOCUMENT DISCLOSES INFORMATION FOR WHICH HUNTER MARINE CORP. HAS PROPRIETARY RIGHTS

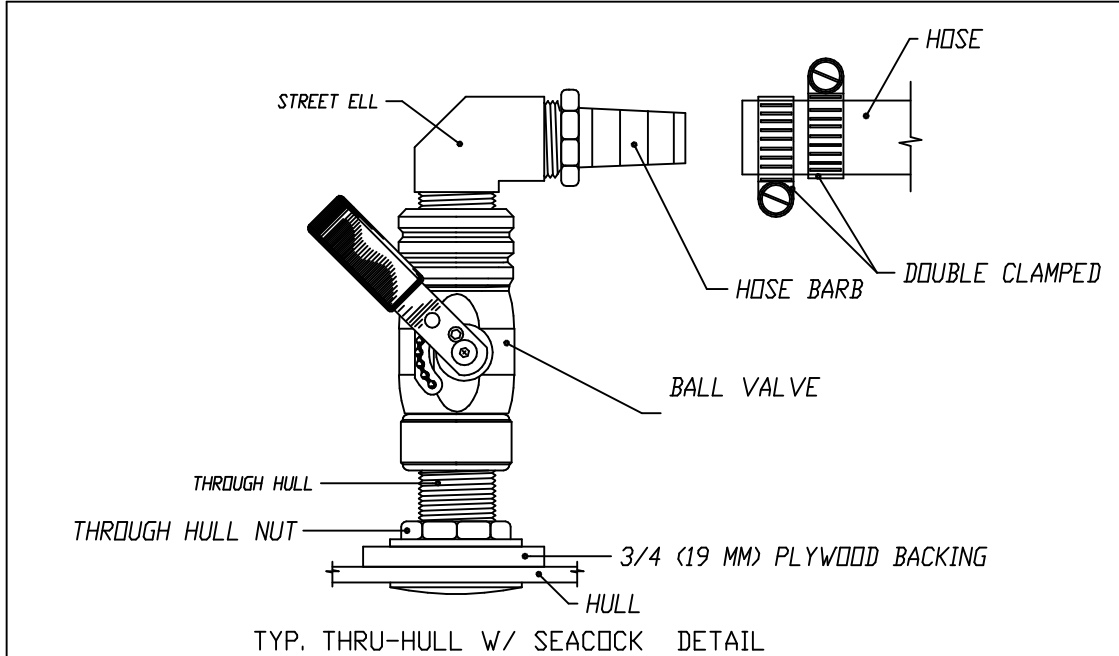
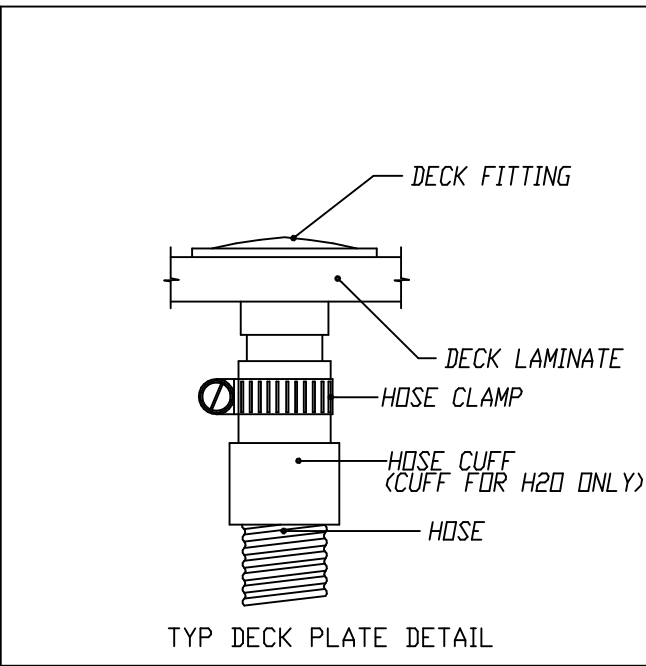
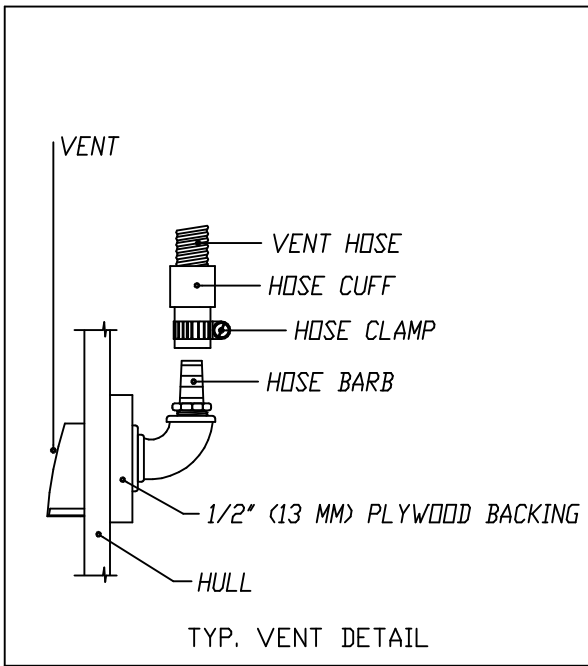
**P420 THRU HULL LOCATIONS**

PROJECT NO.	4208060A	SCALE	NONE
ENGINEERING DEPT		DATE	9/28/98

HUNTER

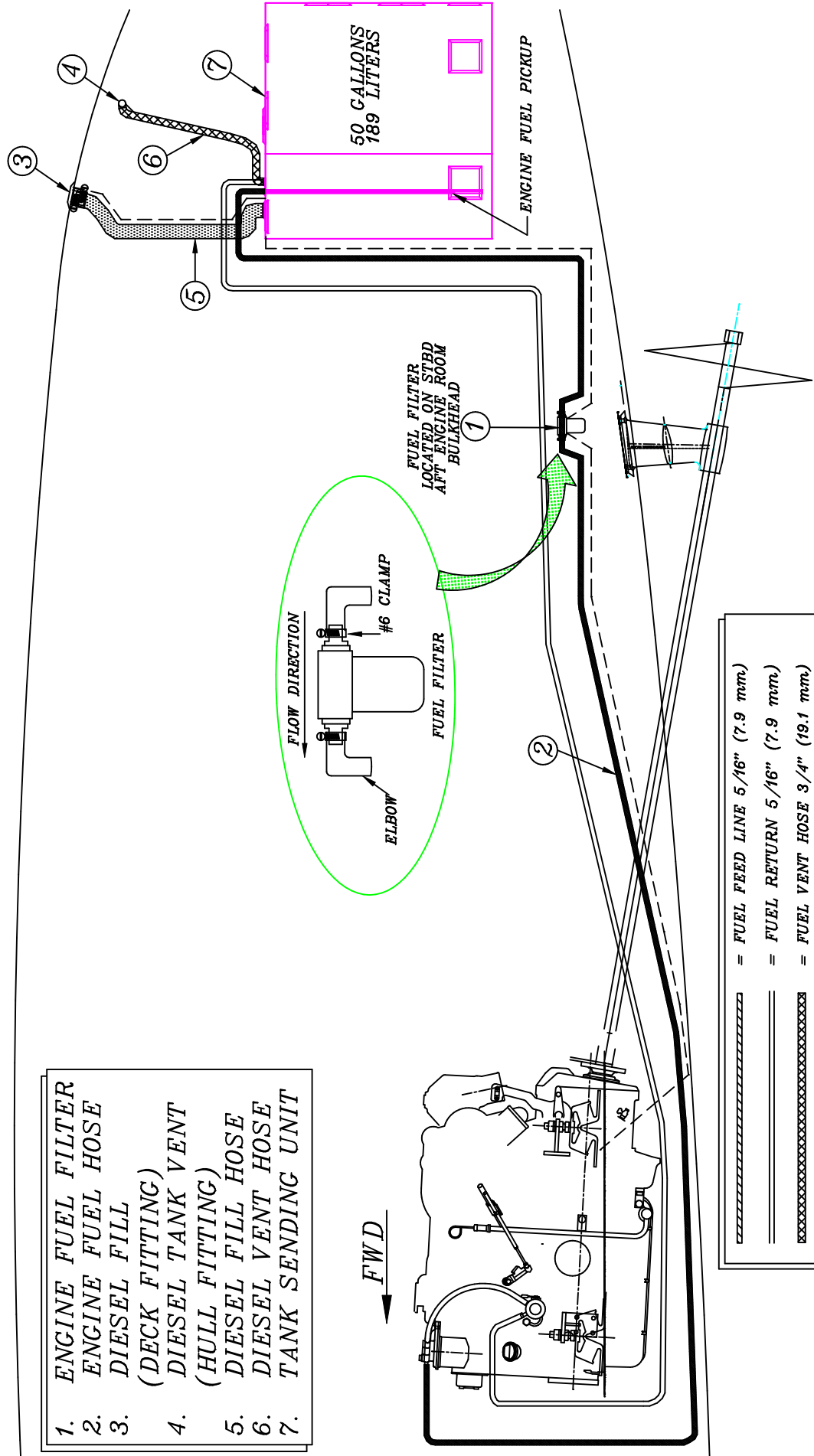


1. ANCHOR WINDLASS CONTROL LOCATION
2. FWD WASTE TANK PUMP/OUT LOCATION
3. FWD STBD WATER TANK VENT LOCATION
4. FWD STBD WATER TANK VENT LOCATION (VENTED STANCHION)
5. PT WATER TANK FILL LOCATION
6. MANUAL BILGE PUMP DISCHARGE (LOCATED ON SIDE OF CABIN HOUSE)
7. PT WATER TANK FILL VENT (LOCATED ON SIDE OF CABIN HOUSE)
8. DIESEL FUEL FILL LOCATION
9. AFT WASTE TANK PUMP/OUT LOCATION
10. DIESEL FUEL FILL VENT LOCATION
11. AFT WASTE TANK VENT LOCATION
12. SHORE WATER INLET LOCATION
13. EMERGENCY TILLER DECK ACCESS PLATE LOCATION
14. TV COAX / PHONE LINE HOOKUP LOCATION
15. SHORE POWER "B" HOOK UP LOCATION
16. SHORE POWER "A" HOOK UP LOCATION
17. AFT STBD WATER TANK FILL LOCATION
18. AFT STBD WATER TANK FILL VENT LOCATION



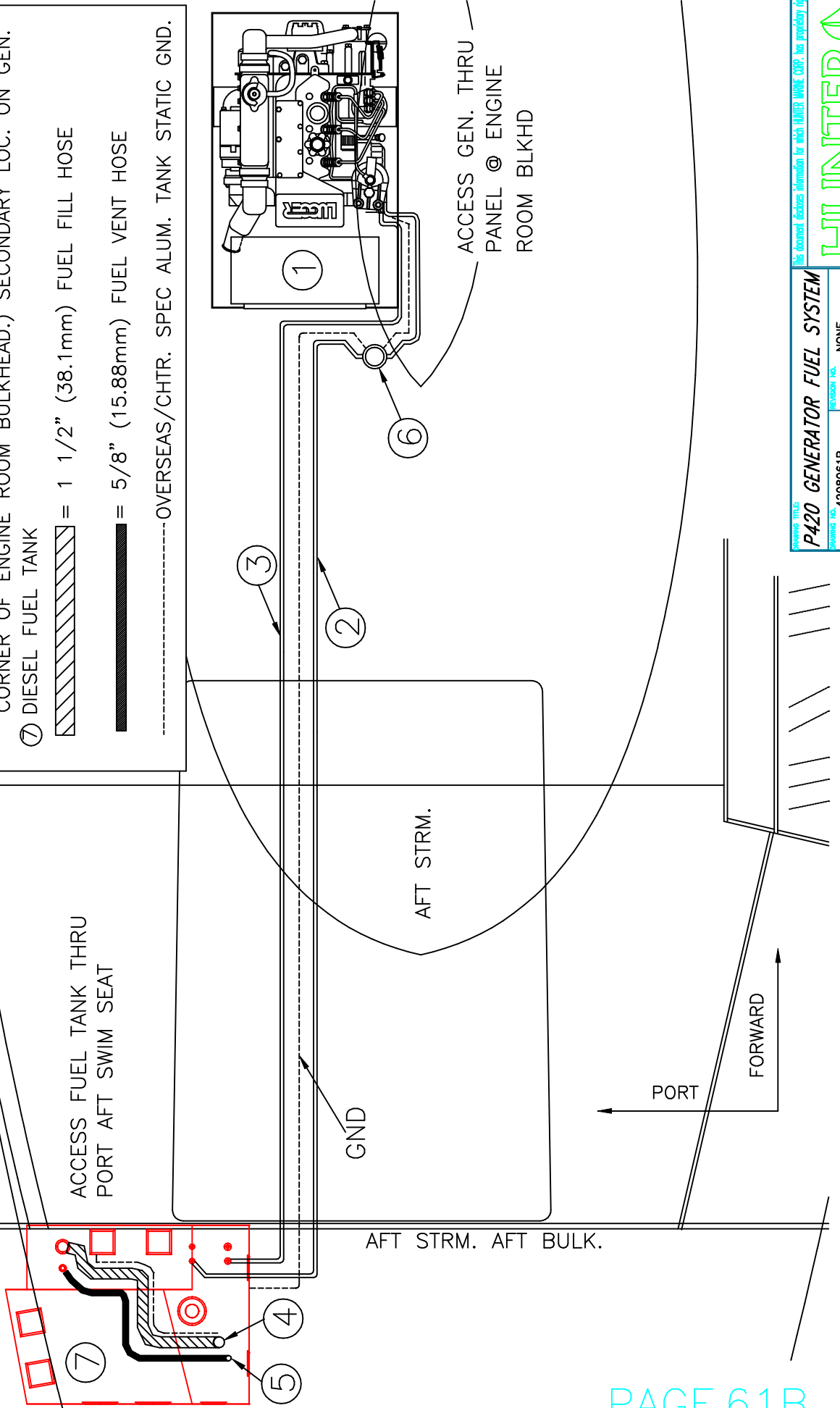
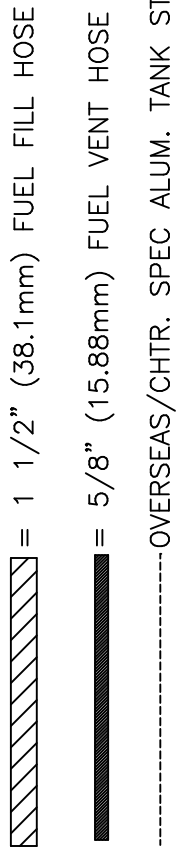


1. ENGINE FUEL FILTER
2. ENGINE FUEL HOSE
3. DIESEL FILL (DECK FITTING)
4. DIESEL TANK VENT (HULL FITTING)
5. DIESEL FILL HOSE
6. DIESEL VENT HOSE
7. TANK SENDING UNIT



- = FUEL FEED LINE 5/16" (7.9 mm)
- = FUEL RETURN 5/16" (7.9 mm)
- = FUEL VENT HOSE 3/4" (19.1 mm)
- = FUEL FILL HOSE 1 1/2" (38.1 mm)
- = OVERSEAS/CHTR SPEC ALUM. TANK STATIC GND.

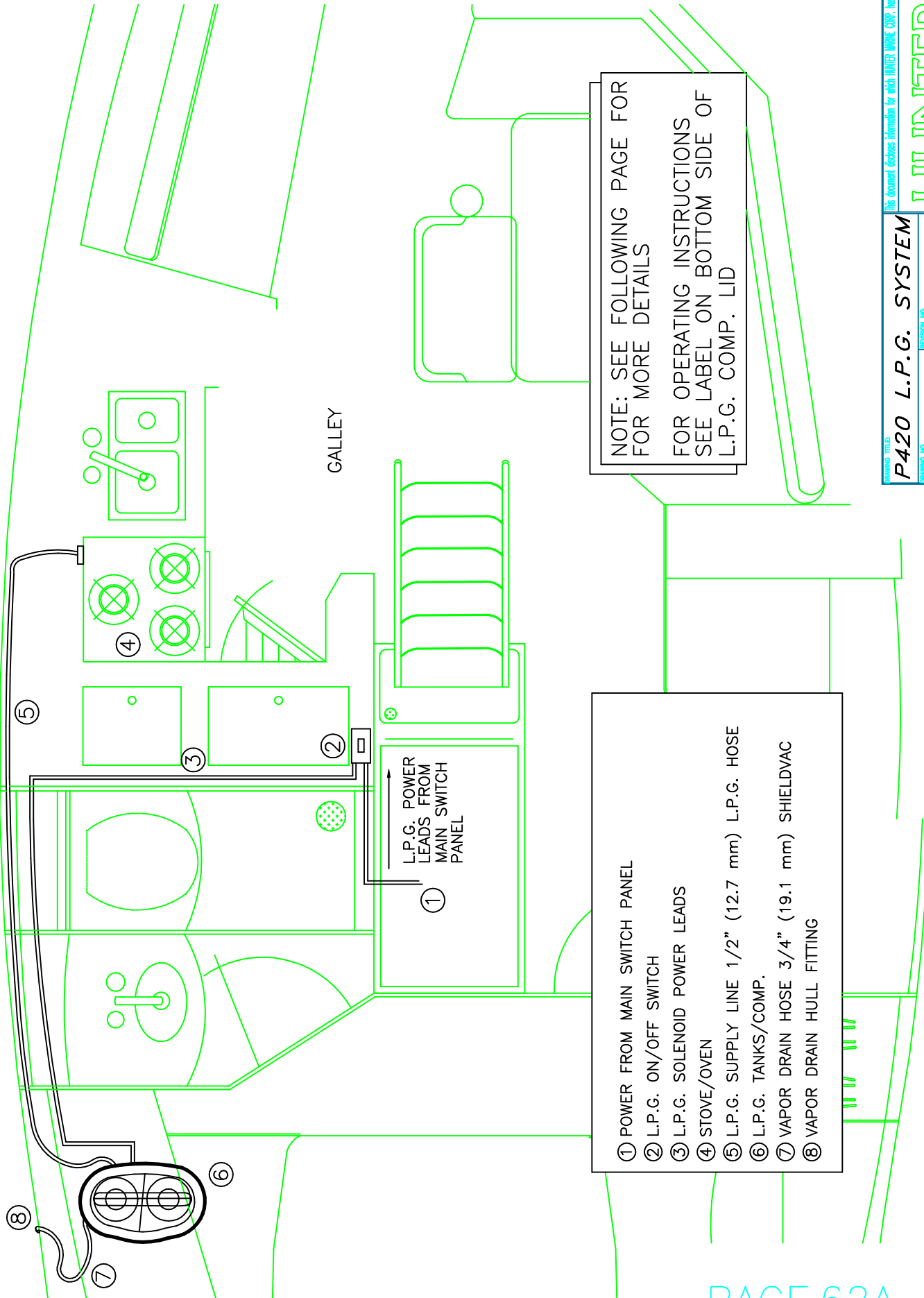
- ① 6KW. GENERATOR
- ② DIESEL FUEL FEED LINE 1/4" (6.4 mm) FUEL HOSE
- ③ DIESEL FUEL RETURN LINE 1/4" (6.4 mm) FUEL HOSE
- ④ DIESEL FUEL TANK FILL (DECK FITTING)
- ⑤ DIESEL FUEL TANK VENT (DECK FITTING)
- ⑥ PRIMARY FUEL FILTER (LOCATED ABOVE ENGINE, AFT STBD CORNER OF ENGINE ROOM BULKHEAD.) SECONDARY LOC. ON GEN.
- ⑦ DIESEL FUEL TANK



This document contains information for which HUNTER MARINE CORP. has proprietary rights.

**HUNTER**

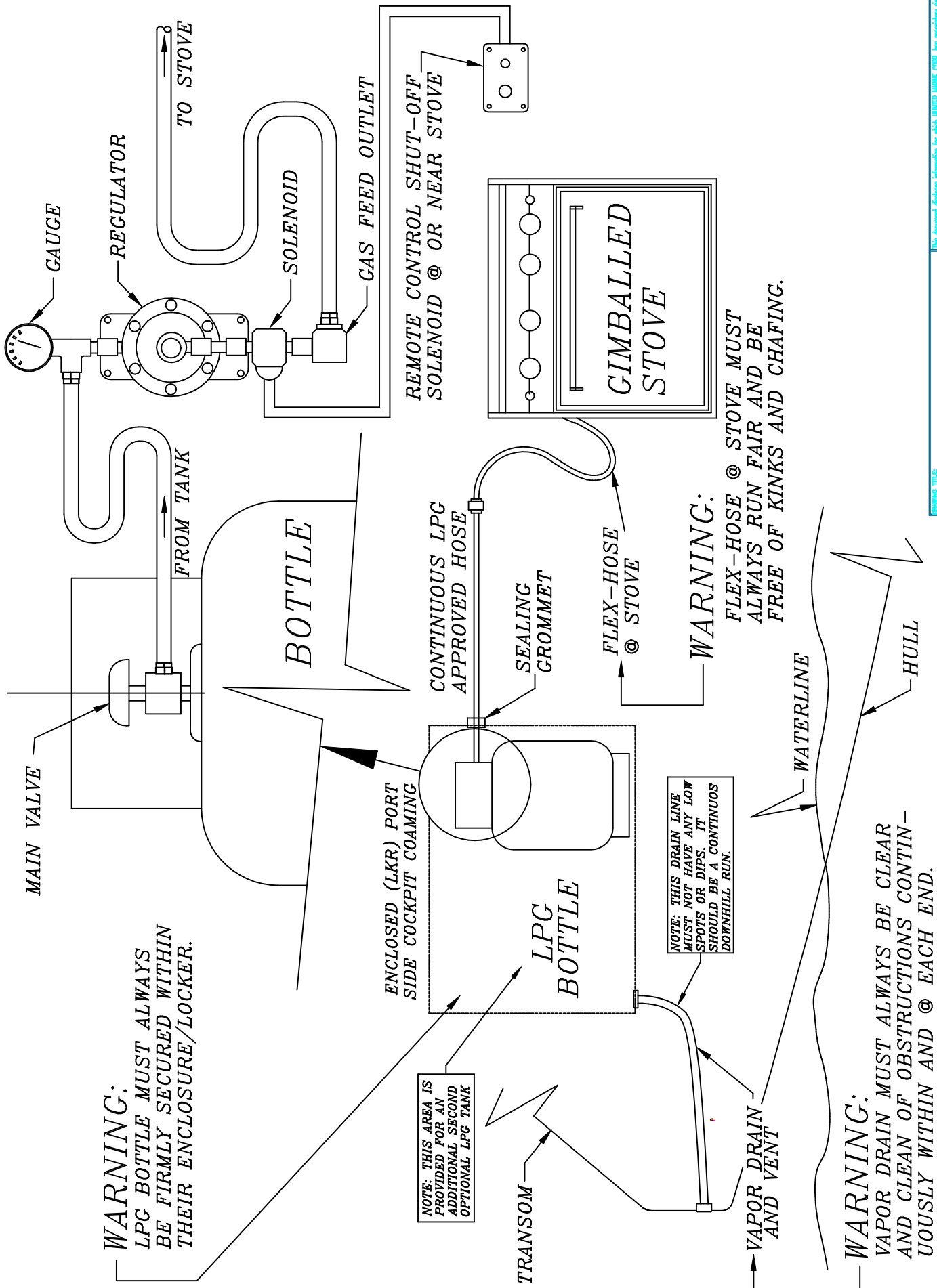
<b>P420 GENERATOR FUEL SYSTEM</b>	
REVISED NO.	NONE
ISSUE NO.	4208061B
DATE	9/30/98
ENGINEERING DEPT.	



NOTE: SEE FOLLOWING PAGE FOR MORE DETAILS

FOR OPERATING INSTRUCTIONS SEE LABEL ON BOTTOM SIDE OF L.P.G. COMP. LID

- ① POWER FROM MAIN SWITCH PANEL
- ② L.P.G. ON/OFF SWITCH
- ③ L.P.G. SOLENOID POWER LEADS
- ④ STOVE/OVEN
- ⑤ L.P.G. SUPPLY LINE 1/2" (12.7 mm) L.P.G. HOSE
- ⑥ L.P.G. TANKS/COMP.
- ⑦ VAPOR DRAIN HOSE 3/4" (19.1 mm) SHIELDVAC
- ⑧ VAPOR DRAIN HULL FITTING



**WARNING:**  
LPG BOTTLE MUST ALWAYS BE FIRMLY SECURED WITHIN THEIR ENCLOSURE/LOCKER.

NOTE: THIS AREA IS PROVIDED FOR AN ADDITIONAL SECOND OPTIONAL LPG TANK

NOTE: THIS DRAIN LINE MUST NOT HAVE ANY LOW SPOTS OR DIPS. IT SHOULD BE A CONTINUOUS DOWNHILL RUN.

**WARNING:**  
FLEX-HOSE @ STOVE MUST ALWAYS RUN FAIR AND BE FREE OF KINKS AND CHAFING.

**WARNING:**  
VAPOR DRAIN MUST ALWAYS BE CLEAR AND CLEAN OF OBSTRUCTIONS CONTINUOUSLY WITHIN AND @ EACH END.

PROVIDE FILE  
**P420 L.P.G. SYSTEM LAYOUT**  
ISSUANCE NO. 4208062B REVISION NO. NONE DATE 11/11/99  
ENGINEERING DEPT.



# P420 ELECTRICAL SYSTEMS

THE FOLLOWING PAGES PROVIDE DETAILED INFORMATION, SCHEMATICS ETC. PERTAINING TO THE P420 **STANDARD** ELECTRICAL SYSTEMS AS WELL AS THE **OPTIONAL** ELECTRICAL SYSTEMS.

READ THE DRAWING TITLE IN THE TITLE BLOCK TO BE SURE YOU ARE REFERRING TO THE CORRECT SYSTEM FOR YOUR MODEL.

MAJOR DIFFERENCES EXIST FOR EXAMPLE, IN THE CHARGING SYSTEM SCHEMATICS WHERE THE STANDARD MODEL IS EQUIPPED WITH A BATTERY CHARGER AND THE OPTIONAL MODEL IS EQUIPPED WITH AN INVERTER/CHARGER.

## P420 ELECTRICAL SYSTEM CONTENTS

### PAGES 63A-2 THRU 63G CONTAINS A.C. POWER SYSTEMS (110 V.A.C.) (220 V.A.C. ON OVERSEAS MODELS)

BASIC POWER SYSTEMS / MAIN DIST. PANEL DESCRIPTION .....	PAGES 63A-2 THRU 63A-9
POWER SYSTEMS TROUBLESHOOTING GUIDE .....	PAGES 63A-10 THRU 63A-13
A.C. POWER PANEL SCHEMATICS: STD AND W/OPT. GEN. & INV .....	PAGES 63A-14 & 63A-15
SELECTOR SWITCH PANELS .....	PAGES 63A-16
A.C. POWER WIRING .....	PAGES 63B & 63C
OPTIONAL AIR CONDITIONING SYSTEM .....	PAGES 63D-1 THRU 63D-4
OPTIONAL GENERATOR SYSTEM .....	PAGES 63E-1 THRU 63E-2
OPT. INVERTER SYSTEM .....	PAGES 63F-1 THRU 63F-3
STANDARD BATTERY CHARGER .....	PAGE 63G
OPTIONAL WASHING MACHINE LAYOUT .....	PAGE 63H

### PAGES 64A-1 THRU 64J CONTAINS D.C. POWER SYSTEMS (12 VOLT D.C.)

D.C. PANEL SCHEMATICS AND GROUNDING SYSTEM .....	PAGES 64A-1 THRU 64A-2
12 VOLT LIGHTING / DECK WIRING .....	PAGES 64B
COURTESY LIGHTS LAYOUT .....	PAGES 64C
OPTIONAL WINDLASS .....	PAGES 64D-1 THRU 64D-3
OPTIONAL ELECTRIC HALYARD .....	PAGES 64E-1 THRU 64E-3
ENTERTAINMENT SYSTEMS .....	PAGE 64F-1 & 64F-2
AUTOMATIC FIRE EXTINGUISHER SYSTEM .....	PAGE 64G-1 THRU 64G-3
REFRIGERATION SYSTEM .....	PAGE 64H-1 THRU 64H-3
PAN/ HEADLINER WIRE CHASE LOCATIONS .....	PAGE 64I-1 THRU 64I-2
TV/ COAX WIRE LAYOUT .....	PAGE 64J
OPTIONAL DYNAPLATE LAYOUT .....	PAGE 64K

SHORE POWER WIRING .....

PAGE 65A

ELECTRIC WIRING COLOR / GUAGE CHART .....

PAGE 65B THRU 65B-2

**P420 POWER SYSTEMS OPERATION PROCEDURES**

POWER SOURCE:	TO OPERATE:
D.C. MAIN	<p><b>STD. BATTERY CHARGER MODEL:</b> TURN BATTERY SWITCH (LOCATED UNDER CHART TABLE) TO THE "ON" POSITION, THEN TURN ON "D.C. MAIN" BREAKER. ON D.C. SIDE OF MAIN DISTRIBUTION PANEL.</p> <p><b>IF NO POWER:</b> CHECK 50a. RESET ON "HOUSE" BATTERY SWITCH PANEL AND/OR BATTERY CONNECTIONS IF NECESSARY.</p>
D.C. MAIN	<p><b>OPTIONAL INVERTER MODEL:</b> TURN ON "D.C. MAIN" BRKR. ON D.C. SIDE OF MAIN DISTRIBUTION PANEL. IT IS <b>NOT</b> NECESSARY TO TURN ON THE INVERTER/DRAW SEL. SW. TO EITHER THE #1, #2, OR BOTH POSITION. <b>THIS PORTION OF THE INV/DRAW SEL. SW. IS FOR THE CHARGING/INVERTING SYSTEM (AND ISOLATION OF) ONLY . IT IS NECES. HOWEVER TO TURN ON EITHER THE #1, OR #2, BREAKER/S LOCATED ON THE BOTTOM OF THE INV/DRAW SEL. SW. PANEL TO PROVIDE POWER TO D.C. PANEL FROM EITHER THE HOUSE BATT. #1 OR #2. (#1=HOUSE BATTERY #1) (#2= HOUSE BATTERY #2)</b></p> <p><b>IF NO POWER: CHECK 300 amp IN LINE FUSE AT EACH HOUSE BATTERY IN HOUSE BATTERY COMPARTMENT, AND/OR BATTERY CONNECTIONS IF NECESSARY.</b></p>
SHORE POWER "A"	<p>1. CONNECT SHORE POWER CABLE #1, TO SUPPLY POWER TO "A" SIDE OF A.C. POWER MAIN DISTRIBUTION PANEL</p> <p>2. TURN ON MAIN BREAKER ON SHORE POWER "A" SIDE OF PANEL</p> <p>3. "A" SIDE OF A.C. POWER MAIN DISTRIBUTION PANEL SHOULD NOW BE OPERABLE (NOTE: APPROX. 15 SECOND DELAY ON OPT. INV. MODELS)</p> <p><b>IF NO POWER TO "A" SIDE OF PANEL CHECK THE FOLLOWING:</b></p> <p>1. BREAKER AT DOCKSIDE POWER SUPPLY BOX</p> <p>2. BREAKER #1 INSIDE PORT COCKPIT SEAT LOCKER</p>
SHORE POWER "B"	<p>1. CONNECT SHORE POWER CABLE #2, TO SUPPLY POWER TO "B" SIDE OF A.C. POWER MAIN DISTRIBUTION PANEL</p> <p>2. TURN ON MAIN BREAKER ON SHORE POWER "B" SIDE OF PANEL</p> <p>3. "B" SIDE OF A.C. POWER MAIN DISTRIBUTION PANEL SHOULD NOW BE OPERABLE</p> <p><b>IF NO POWER TO "B" SIDE OF PANEL CHECK THE FOLLOWING:</b></p> <p>1. BREAKER AT DOCKSIDE POWER SUPPLY BOX</p> <p>2. BREAKER #2 INSIDE PORT COCKPIT SEAT LOCKER</p>
OPTIONAL INVERTER WHEN IN INVERT MODE (CONVERTS 12V.D.C. TO 110V.A.C.)	<p>1. CHOOSE HOUSE BATTERY/S TO DRAW POWER FROM BY TURNING INV/DRAW (HOUSE BATT'S) SEL. SWITCH UNDER CHART TABLE TO 1,2, OR BOTH POSITION (THIS SW. PROVIDES ISOLATION CAPABILITY IN THE EVENT OF A BAD BATTERY, FOR EX. A DEAD CELL)</p> <p>2. TURN THE INVERTER REMOTE SW. (LOCATED AT INB. END OF CHART SEAT) TO THE "ON" POSITION</p> <p>3. TURN ON DESIRED BREAKER (EX. OUTLETS) ON "A" SIDE OF A.C. MAIN DISTRIBUTION PANEL</p> <p>NOTE: IT TAKES 10.D.C. AMPS TO CREATE 1A.C. AMP, IF THE BATTERY VOLTAGE DROPS BELOW 10.5V. THE INVERTER WILL AUTOMATICALLY SHUT DOWN. (SEE "SEL. SW" &amp; "METERS" ON PAGE 63A-7) <b>ALSO THE OUTPUT OF THE INVERTER IS NOT CAPABLE OF POWERING THE WATER HEATER OR AIR COND. SYSTEM</b>, THE WATER HEATER IS POWERED BY "SHORE POWER A" CABLE OR OPT. GENERATOR. THE AIR COND'S ARE POWERED BY THE "SHORE POWER B" CABLE OR THE OPT. GENERATOR. <b>NOTE: IF ANY OTHER APPLIANCES ARE TO BE USED WITH AIR COND'S RUNNING WHEN ON SHORE POWER BOTH "SHORE POWER A" AND "SHORE POWER B" CABLES MUST BE HOOKED UP.</b></p> <p><b>TO POWER D.C. SIDE OF PANEL AND "A" SIDE OF A.C. PANEL SIMULTANEOUSLY USING INVERTER:</b></p> <p>1. TURN ON D.C. MAIN BREAKER ON D.C. SIDE OF MAIN DISTRIBUTION PANEL</p> <p>2. TURN THE INV/DRAW (HOUSE BATT'S) SELECTOR SWITCH TO THE #2 POSITION</p> <p>3. TURN THE #1 BREAKER LOCATED AT THE BOTTOM OF THE INV/DRAW SEL. SWITCH PANEL TO THE "ON" POSITION. AND TURN THE #2 BREAKER TO THE "OFF" POSITION.</p> <p>4. TURN INVERTER REMOTE SWITCH TO THE "ON" POSITION</p> <p>THIS PROCEDURE ALLOWS INVERTER TO SUPPLY 110V.A.C. POWER TO "A" SIDE OF A.C. PANEL BY DRAWING POWER FROM HOUSE BATTERY #2. WHILE D.C. SIDE OF PANEL DRAWS POWER FROM HOUSE BATTERY #1. THIS ISOLATION PROCEDURE COMES IN HANDY FOR EXAMPLE WHEN USING A HIGHER AMPERAGE APPLIANCE OFF OF THE INVERTER THAT MIGHT CAUSE A MOMENTARY VOLTAGE DROP THAT COULD EFFECT EQUIP. (SUCH AS THE OPT. AUTOPILOT) THAT IS VOLTAGE SENSITIVE CAUSING THE UNIT TO TURN OFF. (THIS APPLIES WHEN THERE IS NO SHORE OR GENERATOR POWER BEING SUPPLIED TO PANEL) THE INVERTER AUTO. TRANSFERS SHORE POWER TO THE A.C. PANEL WHEN "SHORE POWER A" CABLE CONNECTED AND DOCKSIDE POWER PRESENT AT A.C. PANEL BYPASSING THE INVERT MODE CAPABILITIES.</p>
OPTIONAL GENERATOR	<p>1. TURN (START) BATTERY SW. (LOCATED UNDER CHART TABLE) TO THE "ON" POSITION</p> <p>2. CHECK SEA STRAINER AND OPEN RAW WATER SEACOCK. SEE PAGE 60 FOR LOCATION</p> <p>3. START GENERATOR (FOLLOW STARTING INSTRUCTIONS PROVIDED IN THE "GENERATOR MANUAL")</p> <p>3. RAISE SLIDE BAR ON "A" SIDE OF A.C. PANEL AND TURN GENERATOR BREAKER TO THE "ON" POSITION</p> <p>4. TO POWER "B" SIDE OF A.C. PANEL (TO USE AIR COND'S) RAISE SLIDE BAR ON "B" SIDE OF A.C. PANEL AND TURN PARALLEL BREAKER TO THE "ON" POSITION</p>

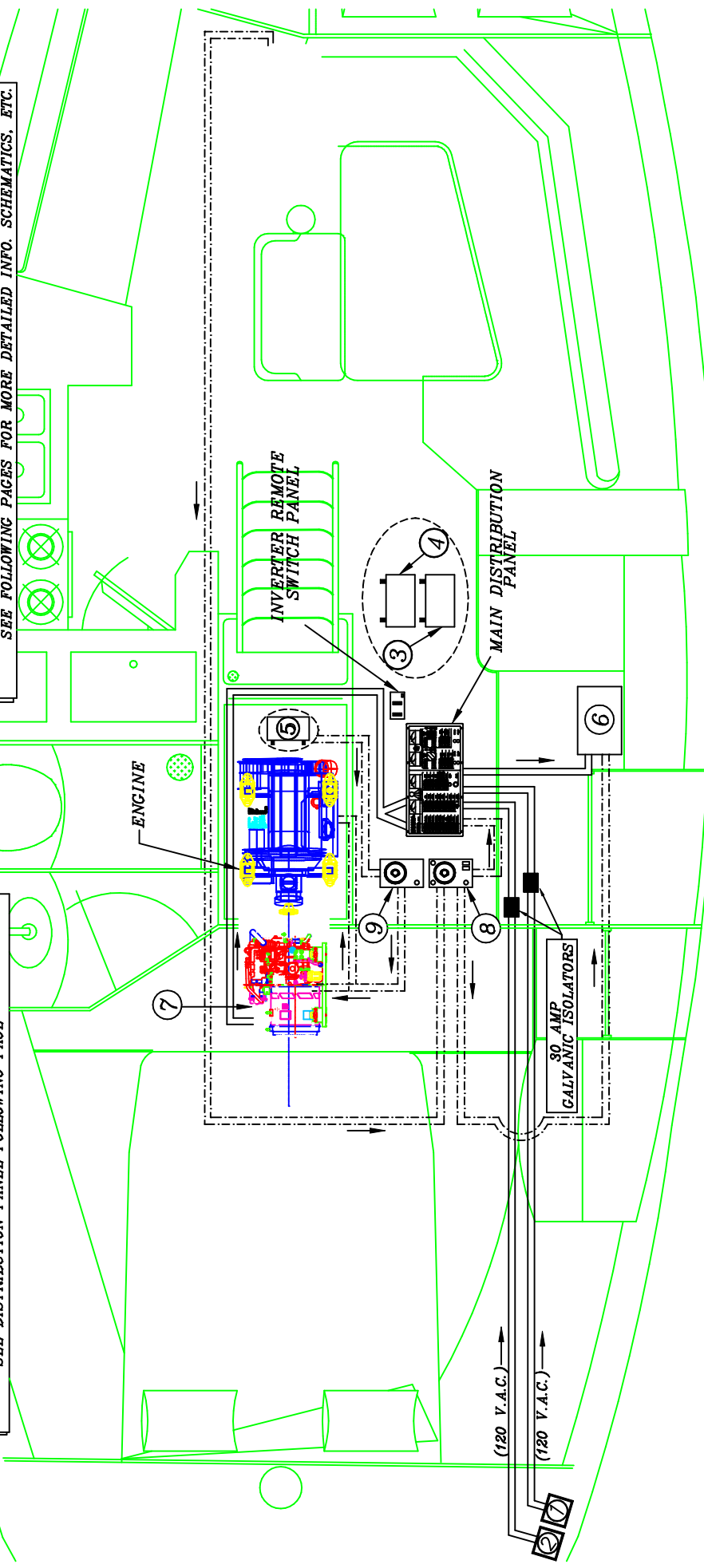
P420 POWER SYSTEMS OPERATION INSTRUCTIONS (CON'T)

**P420 BATTERY CHARGING SYSTEMS OPERATION PROCEDURES**

<p><b>STD. BATT. CHARGER</b></p>	<p>1. CONNECT SHORE POWER CABLE #1 TO POWER "A" SIDE OF A.C. POWER MAIN DISTRIBUTION PANEL AND TURN ON "SHORE POWER A" MAIN BREAKER                  2. TURN "BATTERY CHARGER" BREAKER (LOCATED ON "A" SIDE OF A.C. PANEL) TO THE "ON" POSITION                  NOTE: <b>IT IS NOT NECESSARY</b> TO TURN ON THE "HOUSE" OR THE "START" BATTERY SWITCHES TO PROVIDE CHARGING POWER TO THE HOUSE &amp; START BATTERIES.</p>
<p><b>ENGINE ALTERNATOR</b></p>	<p>1. TURN (START) BATTERY SELECTOR SWITCH TO THE "ON" POSITION                  2. CHECK SEA STRAINER &amp; OPEN RAW WATER SEACOCK. SEE PAGE 60 FOR LOCATION                  3. START SHIP'S ENGINE (FOLLOW STARTING INSTRUCTIONS IN THE "ENGINE MANUAL")                  4. TURN (HOUSE) BATTERY SWITCH TO THE "ON" POSITION <b>(ON OPT. INV. MODEL THE INV/DRAW SEL. SWITCH TO THE "BOTH" POSITION)</b></p>
<p><b>OPTIONAL INVERTER</b>                  INVERTER HAS A BUILT                  IN AUTO. CHARGING                  SYSTEM</p>	<p>1. CONNECT SHORE POWER CABLE #1 TO POWER "A" SIDE OF A.C. POWER MAIN DISTRIBUTION PANEL AND TURN ON "SHORE POWER A" MAIN BREAKER                  2. TURN INVERTER REMOTE SWITCH TO THE "OFF" POSITION                  3. TURN INVERTER/DRAW (HOUSE BATT'S) SELECTOR SWITCH TO THE "BOTH" POSITION                  NOTE: <b>IT IS NOT NECESSARY</b> TO TURN ON THE "START" BATTERY SWITCH TO PROVIDE CHARGING POWER TO THE START BATTERY.                  NOTES: <b>WHEN LEAVING BOAT UNATTENDED, BE SURE INVERTER REMOTE SWITCH IS IN THE "OFF" POSITION</b>, THIS WAY IF SHORE POWER IS LOST FOR ANY REASON, THIS WILL PREVENT THE INVERTER FROM CONVERTING 12V.D.C. TO A.C. VOLTAGE CAUSING HOUSE BATTERIES TO BE DRAINED.                  WHEN THE INVERTER REMOTE SWITCH IS IN THE "OFF" POSITION THE INVERTER AUTOMATICALLY GOES INTO CHARGE MODE                  INVERTER CHARGE MODE WORKS ONLY WHEN THERE IS POWER TO THE "A" SIDE OF THE A.C. PANEL</p>
<p><b>OPT. GENERATOR</b></p>	<p>1. TURN (START) BATTERY SWITCH TO THE "ON" POSITION                  2. CHECK SEA STRAINER &amp; OPEN RAW WATER SEACOCK SEE PAGE 60 FOR LOCATION                  3. START GENERATOR (FOLLOW STARTING INSTRUCTIONS IN THE "GENERATOR MANUAL")                  4. <b>ON STD. BATTERY CHARGER MODEL:</b> TURN ON THE "GENERATOR" MAIN BREAKER ON THE A.C. SIDE OF MAIN DISTRIBUTION PANEL                  TURN ON "BATTERY CHARGER" BREAKER ON THE "A" SIDE OF A.C. PANEL. IT IS <b>NOT</b> NECESSARY TO TURN ON THE HOUSE BATTERY SW.                  5. <b>ON OPT. INVERTER MODEL:</b> TURN THE INVERTER REMOTE SWITCH TO THE "OFF" POSITION, AND THE INV/DRAW SEL. SWITCH TO THE "BOTH" POSITION.</p>

(NOTE: OVERSEAS MODELS ARE 230V A.C. INSTEAD OF 120V A.C.)  
SEE DISTRIBUTION PANEL FOLLOWING PAGE

NOTE: THIS LAYOUT IS INTENDED TO PROVIDE A BASIC UNDERSTANDING OF THE VARIOUS POWER SYSTEMS ONLY. IT IS NOT A SCHEMATIC! SEE FOLLOWING PAGES FOR MORE DETAILED INFO, SCHEMATICS, ETC.



**POWER SYSTEM OPERATION:**

- ① SHORE POWER "A" POWERS "A" SIDE OF A.C. PANEL
- ② SHORE POWER "B" POWERS "B" SIDE OF A.C. PANEL
- ③ & ④ HOUSE BATTERIES PROVIDE 12V D.C. VOLTAGE TO D.C. SIDE OF DISTRIBUTION PANEL AND INVERTER
- ⑤ START BATTERY PROVIDES 12 V.D.C. POWER TO ENGINE & GEN. STARTERS. (NOTE: ISOLATOR PREVENTS INVERTER FROM DRAWING POWER FROM START BATTERY.)
- ⑥ (OPT) INVERTER CONVERTS 12 V.D.C. TO A.C. VOLTAGE AND POWERS "A" SIDE OF A.C. PANEL ONLY.

- ⑦ OPT. GENERATOR PROVIDES A.C. POWER TO BOTH "A" & "B" SIDES OF PANEL WHEN GENERATOR AND PARALLEL BREAKERS ARE IN THE "ON" POSITION WHILE GENERATOR RUNNING.
- ⑧ START BATTERY ON/OFF SWITCH
- ⑨ (OPT) INVERTER/DRAW SELECTOR SWITCH
- = POWER FLOW DIRECTION
- = 12 V.D.C.
- = 120 V.A.C. (230 V.A.C. OVERSEAS MODELS)

This document describes information for which HUNTER MARINE CORP. has proprietary rights.

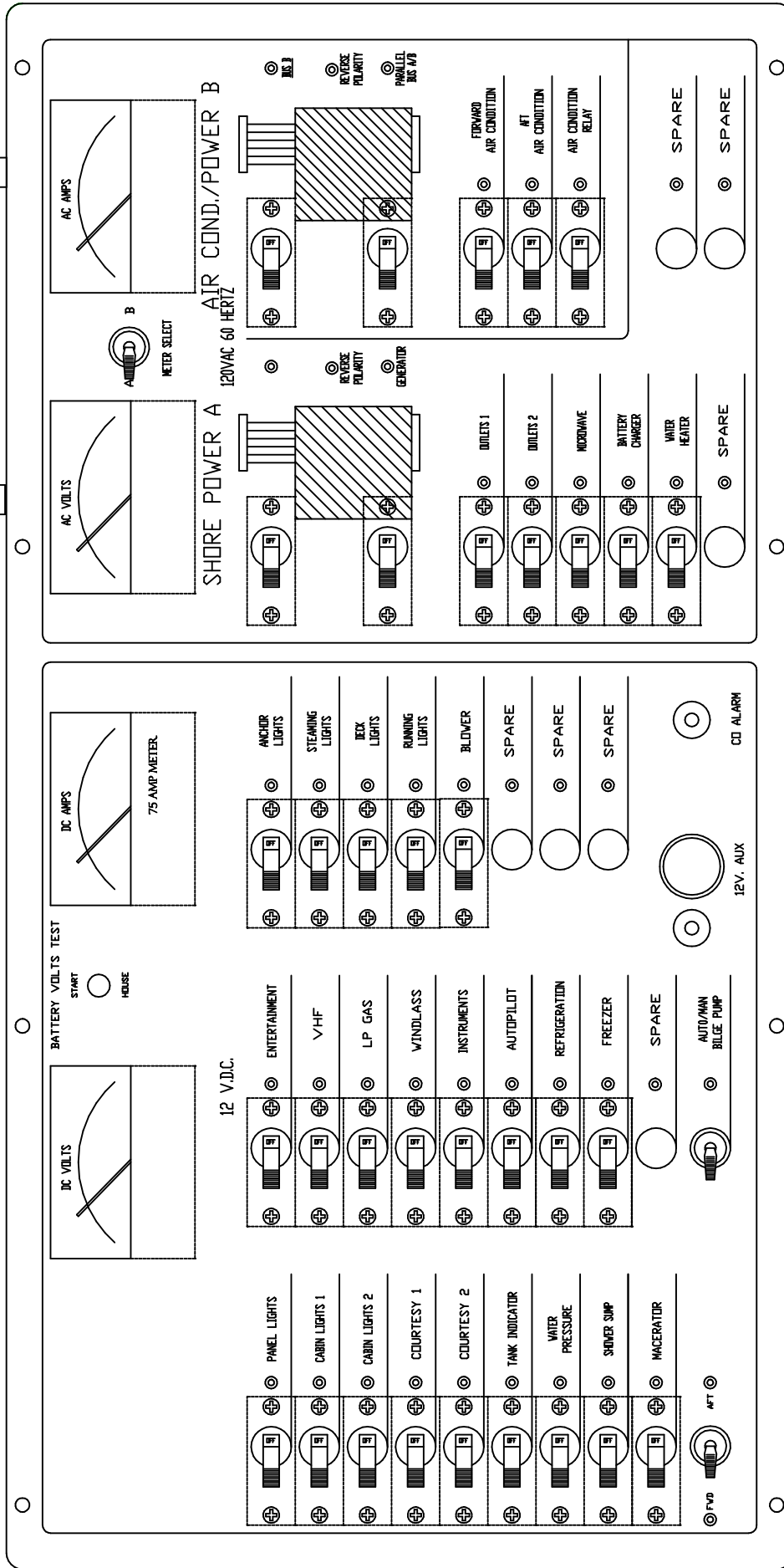
**HUNTER**

**P420 BASIC POWER SYSTEM LAYOUT**

DRAWING NO. 4208063A3	REVISION NO. NONE
ENGINEERING DEPT.	DATE 9/30/98



- ① SHORE POWER "A" TO "A" SIDE OF A.C. PANEL
- ② SHORE POWER "B" TO "B" SIDE OF A.C. PANEL
- ③ HOUSE BATTERY POWER
- ④ OPTIONAL INVERTER TO "A" SIDE OF A.C. PANEL
- ⑤ OPTIONAL GENERATOR POWER TO A.C. PANEL

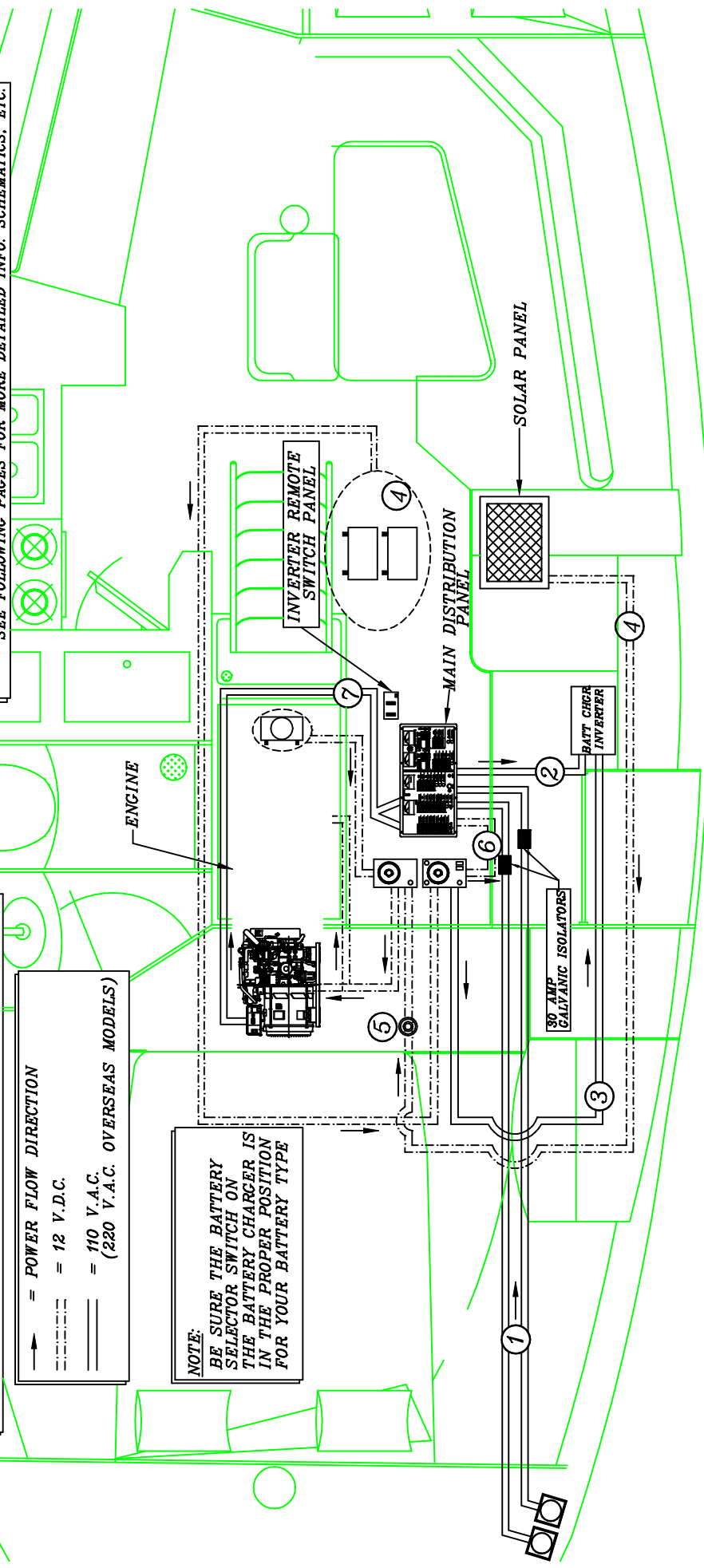


(NOTE: OVERSEAS MODELS ARE 230V A.C. INSTEAD OF 120V A.C.)  
 BATTERY CHARGER IS STANDARD/INVERTER IS OPTIONAL

— = POWER FLOW DIRECTION  
 - - - = 12 V.D.C.  
 = 110 V.A.C.  
 (220 V.A.C. OVERSEAS MODELS)

NOTE:  
 BE SURE THE BATTERY  
 SELECTOR SWITCH ON  
 THE BATTERY CHARGER IS  
 IN THE PROPER POSITION  
 FOR YOUR BATTERY TYPE

NOTE: THIS LAYOUT IS INTENDED TO PROVIDE A BASIC UNDERSTANDING  
 OF THE VARIOUS POWER SYSTEMS ONLY. IT IS NOT A SCHEMATIC!  
 SEE FOLLOWING PAGES FOR MORE DETAILED INFO, SCHEMATICS, ETC.



**BASIC OPERATION INSTRUCTIONS**  
 INVERTER CHARGES ALL BATTERIES WHEN INVERTER IS IN  
 CHARGE MODE. INVERTER SWITCHES OVER TO CHARGE MODE  
 WHEN IT IS NOT CONVERTING D.C. VOLTAGE TO A.C. VOLTAGE  
 AND SHORE POWER "A" IS CONNECTED AND THE INVERTER  
 DRAW (HOUSE BATTERY) SELECTOR IS IN THE "BOTH"  
 POSITION.  
 ENGINE ALTERNATOR PROVIDES CHARGING POWER TO ALL THE  
 BATTERIES WHEN THE ENGINE IS RUNNING AND THE  
 INVERTER DRAW (HOUSE BATTERY), SELECTOR SWITCH IS IN  
 THE "ON" POSITION.  
 THE OPTIONAL GENERATOR PROVIDES POWER TO THE MAIN  
 DISTRIBUTION PANEL, ALLOWING THE INVERTER/ CHARGER TO  
 CHARGE BATTERIES AS MENTIONED ABOVE.

- ① 120 V.A.C. SHORE POWER INLETS TO THE MAIN DISTRIBUTION PANEL LOCATED AT THE ENGINE BOX BULKHEAD
- ② 120 V.A.C. FROM AC SIDE OF PANEL TO THE STANDARD BATTERY CHARGER/ (OPTIONAL INVERTER)
- ③ 100amp CHARGE CIRCUIT FROM BATTERY CHARGER/(INVERTER) TO ALL BATTERIES.
- ④ TRICKLE CHARGE CIRCUIT FROM SOLAR PANEL TO START BATTERY.
- ⑤ SOLAR PANEL CHARGE REGULATOR
- ⑥ ENGINE ALTERNATOR CHARGE CIRCUIT TO ALL BATTERIES.
- ⑦ GENERATOR POWERS THE PANEL, THEN OPTIONAL INVERTER CHARGES ALL BATTERIES.

**12 V.D.C. DISTRIBUTION PANEL**

<b>BREAKER</b>	<b>DESCRIPTION</b>
PANEL LIGHTS	ILLUMINATES BOTH A.C. & D.C. SIDES OF THIS PANEL FOR NIGHT USE
CABIN LIGHTS 1	SUPPLIES POWER TO CABIN LIGHTS FORWARD OF THE GALLEY AND NAVIGATION STATION
CABIN LIGHTS 2	SUPPLIES POWER TO CABIN LIGHTS AFT OF THE GALLEY AND NAVIGATION STATION
COURTESY 1	SUPPLIES POWER TO <b>SWITCHED CTSY. LIGHTS</b> , THESE ARE THE FRIDGE/FREEZER, BILGE COMPTS. AND COCKPIT
COURTESY 2	SUPPLIES POWER TO ALL CABIN SOLE LIGHTS LOCATED AT THE GALLEY, NAV. STA., AFT STRM. FWD STRM
COCKPIT LIGHTS	SUPPLIES POWER TO COCKPIT LIGHTS IN THE ARCH
WATER PUMP	SUPPLIES POWER TO FRESH WATER PUMP TO PRESSURIZE H2O SYSTEM.
SUMP PUMP	SUPPLIES POWER TO BOTH FWD. AND AFT SHOWER SUMP BOXES. (SELF CONTAINED FLOAT SWITCH IN EACH SUMP ACTIVATES PUMP INSIDE EACH SUMP BOX. (SEE PAGE 59A FOR SUMP LOCATIONS)
ENTERTAINMENT	SUPPLIES POWER TO OPTIONAL STEREOS.
ANCHOR LIGHT	SUPPLIES POWER TO 360 DEGREE LIGHT AT TOP OF MAST, USE WHEN ANCHORED AT NIGHT.
STEAMING LIGHT	SUPPLIES POWER TO STEAMING LIGHT LOCATED ON FWD. SIDE OF MAST APPROXIMATELY AT THE HEIGHT OF THE LOWER SPREADERS. USE AT NIGHT WHEN VESSEL UNDERWAY BY ENGINE POWER. (ALONG W/RUNNING LTS.)
DECK LIGHT	SUPPLIES POWER TO DECK LIGHT (IS COMBINATION WITH STEAMING LIGHT) PROVIDES LIGHT TO DECK BELOW.
RUNNING LIGHTS	SUPPLIES POWER TO THE BOW, STERN, & COMPASS LIGHT. USE AT NIGHT UNDER SAIL AND/OR ENGINE POWER.
INSTRUMENTS	SUPPLIES POWER TO KNOT, DEPTH, & SPEED REPEATERS LOCATED ON HELM CONSOLE.
VHF	SUPPLIES POWER TO THE VHF RADIO LOCATED INSIDE COMPANIONWAY OPENING
WINDLASS	SUPPLIES POWER TO UP/DOWN CONTROLS AT ANCHOR WELL. <b>NOTE: BECAUSE THE WINDLASS DRAWS IT'S POWER FROM THE START BATTERY, IT IS GOOD PRACTICE TO START THE SHIPS ENGINE PRIOR TO OPERATING WINDLASS TO PREVENT BATTERY DRAIN. ( IF NO POWER, CHECK RESET ON REMOTE PANEL)</b>
AUTOPILOT	THIS BREAKER PROVIDED FOR AN OPTIONAL AUTOPILOT SYSTEM.
REFRIGERATION	SUPPLIES POWER TO REFRIGERTOR COMPRESSOR.
FREEZER	SUPPLIES POWER TO FREEZER COMPRESSOR.
MACERATOR	SUPPLIES POWER TO THE MACERATOR TOGGLE SWITCH.
	<b>NOTE: THESE DEVICES ARE USED FOR DIRECT OVERBOARD DISCHARGE OF RAW SEWAGE, BE AWARE OF YOUR LOCAL BOATING REG. BEFORE USING.</b>
L. P. GAS	SUPPLIES POWER TO L.P. GAS SWITCH AT GALLEY. SEE "STOVE MANUAL" FOR OPER. & SAFETY INST.
BLOWER	SUPPLIES POWER TO ENGINE ROOM EXHAUST FAN.
TANK INDICATOR	SUPPLIES POWER TO TANK MONITOR.
BILGE PUMP	TOGGLE SWITCH STAYS IN THE "AUTO" POSITION, THIS ALWAYS FEEDS POWER TO THE FLOAT SWITCH (AS LONG AS BATTERIES ARE CONNECTED AND HAVE AMPLE CHARGE) FOR MANUAL USE, PUSH SWITCH TO "MANUAL" ILLUMINATED L.E.D. INDICATES POWER TO PUMP AND PUMP SHOULD BE RUNNING. PRIOR TO LEAVING VESSEL "MANUALLY" TEST PUMP AND CHECK BATTERY LEVEL. SEE BATTERY SELECT SWITCH BELOW.
BATT. VOLTS SEL. SW.	USE TO REVIEW STATUS OF THE START AND HOUSE BATTERIES.
METERS	D.C. VOLTS DISPLAYS <b>AVAILABLE VOLTAGE</b> FROM SELECTED BATTERY D.C. AMPS DISPLAYS <b>AMPERAGE BEING DRAWN</b> FROM HOUSE BATTERY BANK.
YELLOW L.E.D.'S	LIGHT EMITTING DIODES ILLUMINATE WHEN 12 V.D.C. POWER PRESENT.
NOTE:	IF THE OPTIONAL AUTOPILOT WAS INSTALLED AT THE FACTORY, THE "INSTRUMENTS" POWER LEADS ARE WIRED TO THE AUTOPILOT BREAKER. THIS ALLOWS THESE UNITS TO WORK SIMULTANEOUSLY OFF THE AUTOPILOT BREAKER.

## 110V.A.C. (220 OVERSEAS MODELS) DISTRIBUTION PANEL

### BREAKERS

### DESCRIPTION

#### "A" SIDE OF A.C. PANEL

SHORE POWER "A"	PROVIDES A.C. VOLTAGE TO "A" SIDE OF MAIN DISTRIBUTION PANEL WHEN SHORE POWER CORD "A" IS CONNECTED TO OUTLET AT DOCKING FACILITY.
GENERATOR	SUPPLIES POWER <b>FROM</b> GENERATOR TO SHORE POWER "A" (AND SHORE POWER "B" IF DESIRED) PANEL. NOTE: TO PROVIDE POWER TO SHORE POWER "B" SIDE OF PANEL MOVE SLIDE BAR UP AND TURN ON THE PARALLEL BREAKER ON THE SHORE POWER "B" SIDE OF PANEL.
OUTLETS 1	PROVIDES A.C. POWER TO THE OUTLETS ON THE PORT SIDE OF BOAT.
OUTLETS 2	PROVIDES A.C. POWER TO THE OUTLETS ON THE STBD. SIDE OF BOAT.
MICROWAVE	SUPPLIES POWER TO OUTLET BEHIND MICRO. IN WHICH MICROWAVE IS PLUGGED INTO.
WATER HEATER	SUPPLIES POWER TO WATER HEATER. <b>BE SURE TANK IS FULL AND SYSTEM IS FREE FROM AIR BEFORE APPLYING POWER TO HEATER TO PREVENT ELEMENT BURNOUT.</b>

#### "B" SIDE OF PANEL

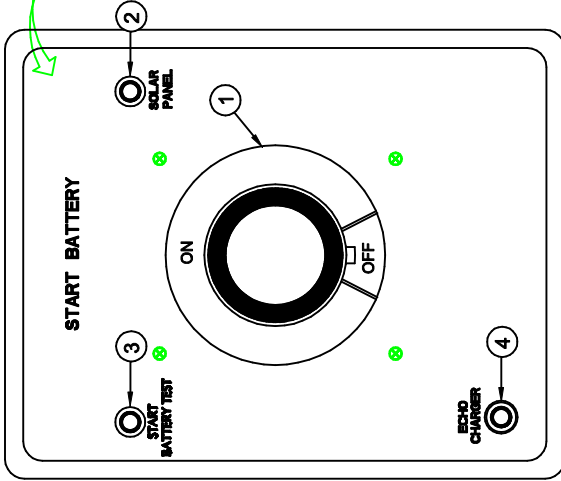
SHORE POWER "B"	PROVIDES A.C. VOLTAGE TO THIS SIDE OF PANEL WHEN SHORE POWER CORD "B" IS CONNECTED TO OUTLET AT DOCKING FACILITY.
PARALLEL	PROVIDES POWER FROM GENERATOR TO THIS SIDE OF PANEL.(MOVE SLIDE BAR UP TO TURN BREAKER ON.)
FWD/AFT AIR COND.	PROVIDES POWER TO EITHER FWD. OR AFT AIR COND. UNITS (SEE "MARINE AIR MANUAL" FOR OPER. INSTRUCTIONS.
AIR COND. RELAY	PROVIDES POWER TO RAW WATER CIRCULATION PUMP USED TO COOL AIR COND. COMPRESSORS UNITS, THIS BREAKER <b>MUST BE ON WHEN OPERATING AIR COND. UNIT/S.</b>

#### MISC. INFO

RED L.E.D.'S	ILLUMINATE WHEN A.C. POWER PRESENT.
METER SEL. SWITCH	ALLOWS VOLTAGE BEING SUPPLIED AND AMPERAGE BEING DRAWN TO BE DISPLAYED ON VOLT & AMP METERS SWITCH POSITION "A" = "A" SIDE OF PANEL. SWITCH POSITION "B" = "B" SIDE OF PANEL.
REV. POLARITY	IF REVERSED POLARITY L.E.D./S ILLUMINATE AFTER CONNECTING SHORE POWER HAVE DOCKSIDE POWER CHECKED BY QUALIFIED PERSONELL.

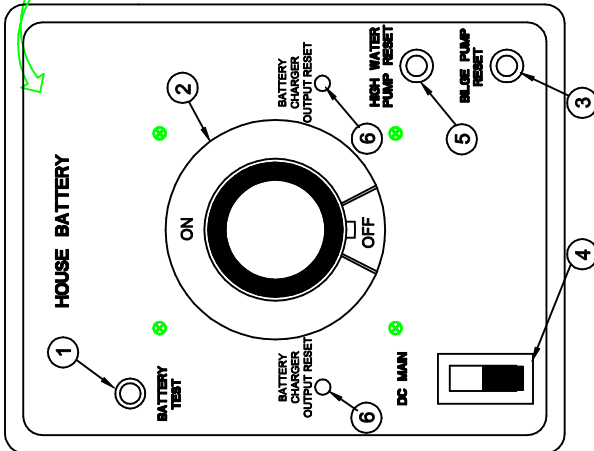
**NOTE: A PRUDENT MARINER REALIZES THAT THE RESOURCES TO POWER A VESSEL ARE LIMITED. WHEN USING THE INVERTER OR GENERATOR ONE SHOULD BE CONSERVATIVE AND AWARE OF THE AMOUNT OF POWER BEING SUPPLIED VERSES POWER BEING DRAWN. THIS IS ESPECIALLY IMPORTANT WHEN USING OPTIONAL INVERTER POWER. CONSULT THE "INVERTER MANUAL" FOR POWER OUTPUT CAPABILITIES.**

START BATTERY ON/OFF SAFETY SWITCH PANEL



1. ON/OFF SWITCH SUPPLIES POWER FROM START BATTERY TO ENGINE AND OPTIONAL GENERATOR STARTER(S)
2. SOLAR PANEL CHARGE CIRCUIT FUSE.
3. FUSE FOR START BATTERY VOLTS TEST SWITCH.
4. FUSE FOR ECHO CHARGER USED WITH 120V INVERTER ONLY.

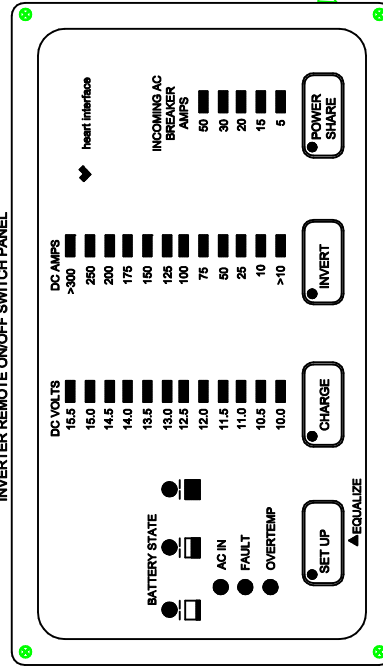
INVERTER/DRAW (HOUSE BATTERY) SELECTOR SWITCH



1. IN LINE FUSE FROM HOUSE BATTERY BANK (TEST CIRCUIT) USED TO DISPLAY AVAILABLE VOLTAGE FROM HOUSE BATTERIES. SEE BATTERY SELECTOR SWITCH & METERS PAGE 63A-6.
2. HOUSE BATTERY SWITCH. SUPPLIES POWER TO INVERTER.
3. BILGE PUMP RESET. PUSH TO RESTORE POWER TO BILGE PUMP.
4. HOUSE BATTERY BREAKER SUPPLY POWER FROM HOUSE BATTERY BANK TO MAIN DC PANEL.
5. HIGH WATER PUMP RESET. PUSH TO RESTORE POWER TO PUMP.
6. BATTERY CHARGER OUTPUT RESETS

SEE PAGE 63A-2 "INVERTER" FOR OPERATING DETAILS

INVERTER REMOTE ON/OFF SWITCH PANEL



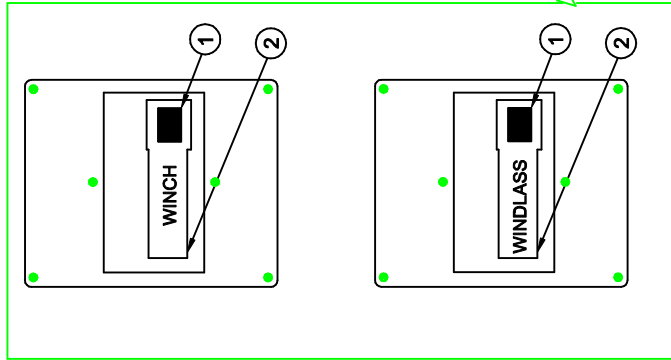
1. INVERTER STATUS DISPLAY
  2. INVERTER ON/OFF SWITCH
- SEE PAGE 63A-2 "INVERTER" FOR OPERATION DETAILS.

1. (TEST) ON/OFF BUTTON, PUSH TO TRIP RESET  
 2. "RESET" PUSH UP TO RESTORE POWER.

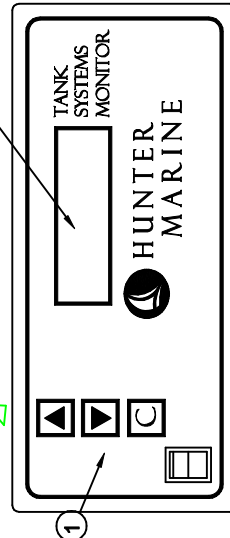
NOTE: WINDLASS PANEL SUPPLIES POWER TO THE WINDLASS MOTOR. THE "WINDLASS BREAKER" ON THE DC MAIN DISTRIBUTION PANEL, SUPPLIES POWER TO THE UP/DOWN CONTROLS IN THE ANCHORWELL LOCKER.

THE HALYARD WINCH PANEL SUPPLIES POWER TO THE WINDLASS. (LOCATED ON STBD SIDE BLKHD OF COMPANIONWAY OPENING) WHICH SUPPLIES POWER TO THE WINCH.

WINDLASS IS OPTIONAL  
 ELECTRIC HALYARD IS STD. (EXCEPT ON FURLING MASTS)



1. TANK SELECTOR SWITCHES
2. TANK SELECTION DISPLAYS



Part No. 1420 MAY STATION SELECTOR SWITCH PANELS

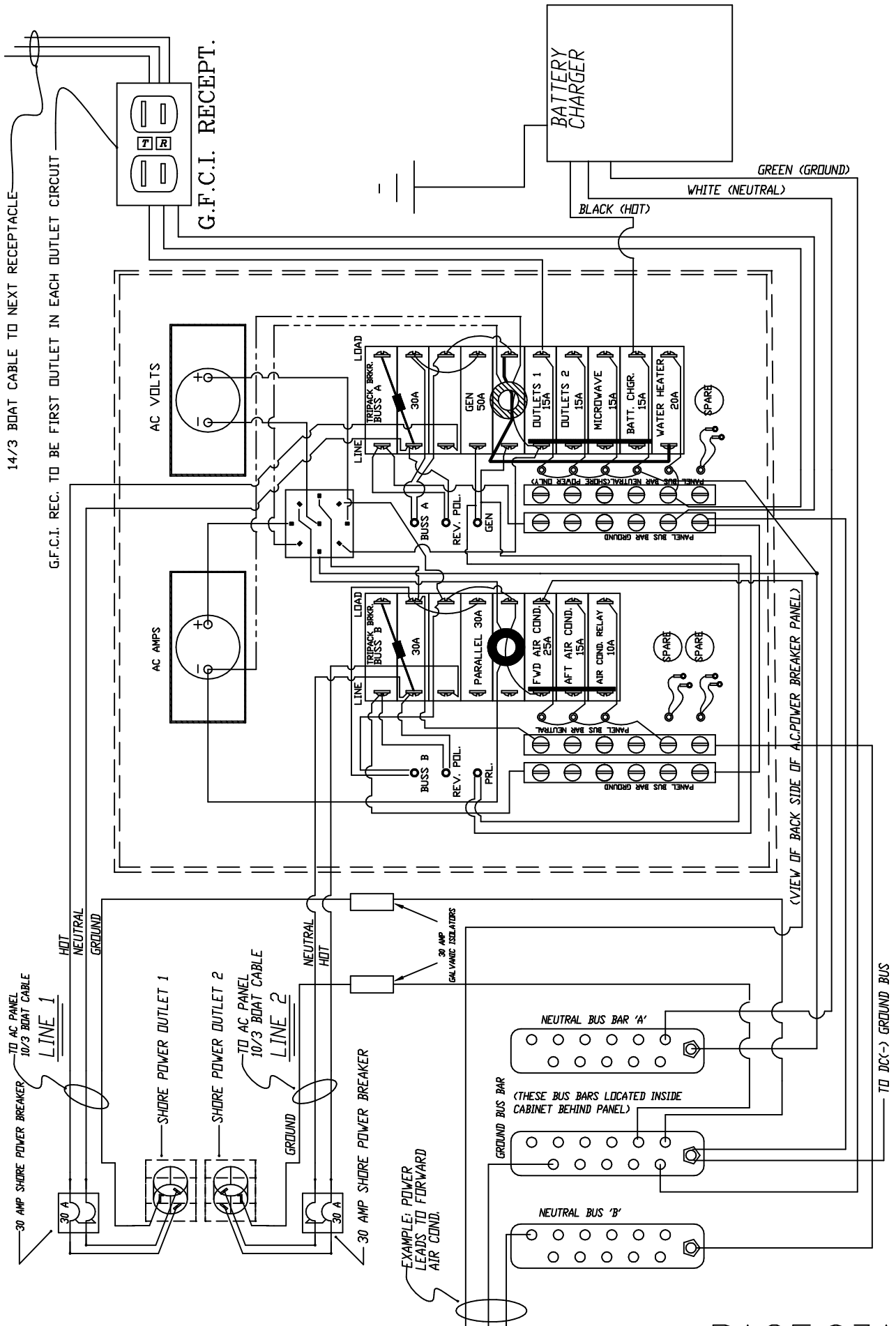
Revision No. 4208063A-8

DATE 1/21/99

ENGINEERING DEPT.

**HUNTER**

This document contains information for which HUNTER MARINE CORP. has proprietary rights.



14/3 BOAT CABLE TO NEXT RECEPTACLE

G.F.C.I. REC. TO BE FIRST OUTLET IN EACH OUTLET CIRCUIT

G.F.C.I. RECEPT.

BATTERY CHARGER

GREEN (GROUND)  
WHITE (NEUTRAL)  
BLACK (HOT)

AC VOLTS

AC AMPS

LINE

LINE

NEUTRAL

NEUTRAL

GROUND

NEUTRAL

GROUND

LOAD

LOAD

HOT

HOT

GROUND

NEUTRAL

GROUND

LOAD

LOAD

HOT

HOT

GROUND

NEUTRAL

GROUND

LOAD

LOAD

HOT

HOT

GROUND

NEUTRAL

GROUND

LOAD

LOAD

HOT

HOT

GROUND

NEUTRAL

GROUND

LOAD

LOAD

HOT

HOT

GROUND

NEUTRAL

GROUND

LOAD

LOAD

HOT

HOT

GROUND

NEUTRAL

GROUND

LOAD

LOAD

HOT

HOT

GROUND

NEUTRAL

GROUND

LOAD

LOAD

HOT

HOT

GROUND

NEUTRAL

GROUND

LOAD

LOAD

HOT

HOT

GROUND

NEUTRAL

GROUND

LOAD

LOAD

HOT

HOT

GROUND

NEUTRAL

GROUND

LOAD

LOAD

HOT

HOT

GROUND

NEUTRAL

GROUND

LOAD

LOAD

HOT

HOT

GROUND

NEUTRAL

GROUND

LOAD

LOAD

HOT

HOT

GROUND

NEUTRAL

GROUND

LOAD

LOAD

HOT

HOT

GROUND

NEUTRAL

GROUND

LOAD

LOAD

HOT

HOT

GROUND

NEUTRAL

GROUND

LOAD

LOAD

HOT

HOT

GROUND

NEUTRAL

GROUND

LOAD

LOAD

HOT

HOT

GROUND

NEUTRAL

GROUND

LOAD

LOAD

HOT

HOT

GROUND

NEUTRAL

GROUND

LOAD

LOAD

HOT

HOT

GROUND

NEUTRAL

GROUND

LOAD

LOAD

HOT

HOT

GROUND

NEUTRAL

GROUND

LOAD

LOAD

HOT

HOT

GROUND

NEUTRAL

GROUND

LOAD

LOAD

HOT

HOT

GROUND

NEUTRAL

GROUND

LOAD

LOAD

HOT

HOT

GROUND

NEUTRAL

GROUND

LOAD

LOAD

HOT

HOT

GROUND

NEUTRAL

GROUND

LOAD

LOAD

HOT

HOT

GROUND

NEUTRAL

GROUND

LOAD

LOAD

HOT

HOT

GROUND

NEUTRAL

GROUND

LOAD

LOAD

HOT

HOT

GROUND

NEUTRAL

GROUND

LOAD

LOAD

HOT

HOT

GROUND

NEUTRAL

GROUND

LOAD

LOAD

HOT

HOT

GROUND

NEUTRAL

GROUND

LOAD

LOAD

HOT

HOT

GROUND

NEUTRAL

GROUND

LOAD

LOAD

HOT

HOT

GROUND

NEUTRAL

GROUND

LOAD

LOAD

HOT

HOT

GROUND

NEUTRAL

GROUND

LOAD

LOAD

HOT

HOT

GROUND

NEUTRAL

GROUND

LOAD

LOAD

HOT

HOT

GROUND

NEUTRAL

GROUND

LOAD

LOAD

HOT

HOT

GROUND

NEUTRAL

GROUND

LOAD

LOAD

HOT

HOT

GROUND

NEUTRAL

GROUND

LOAD

LOAD

HOT

HOT

GROUND

NEUTRAL

GROUND

LOAD

LOAD

HOT

HOT

GROUND

NEUTRAL

GROUND

LOAD

LOAD

HOT

HOT

GROUND

NEUTRAL

GROUND

LOAD

LOAD

HOT

HOT

GROUND

NEUTRAL

GROUND

LOAD

LOAD

HOT

HOT

GROUND

NEUTRAL

GROUND

LOAD

LOAD

HOT

HOT

GROUND

NEUTRAL

GROUND

LOAD

LOAD

HOT

HOT

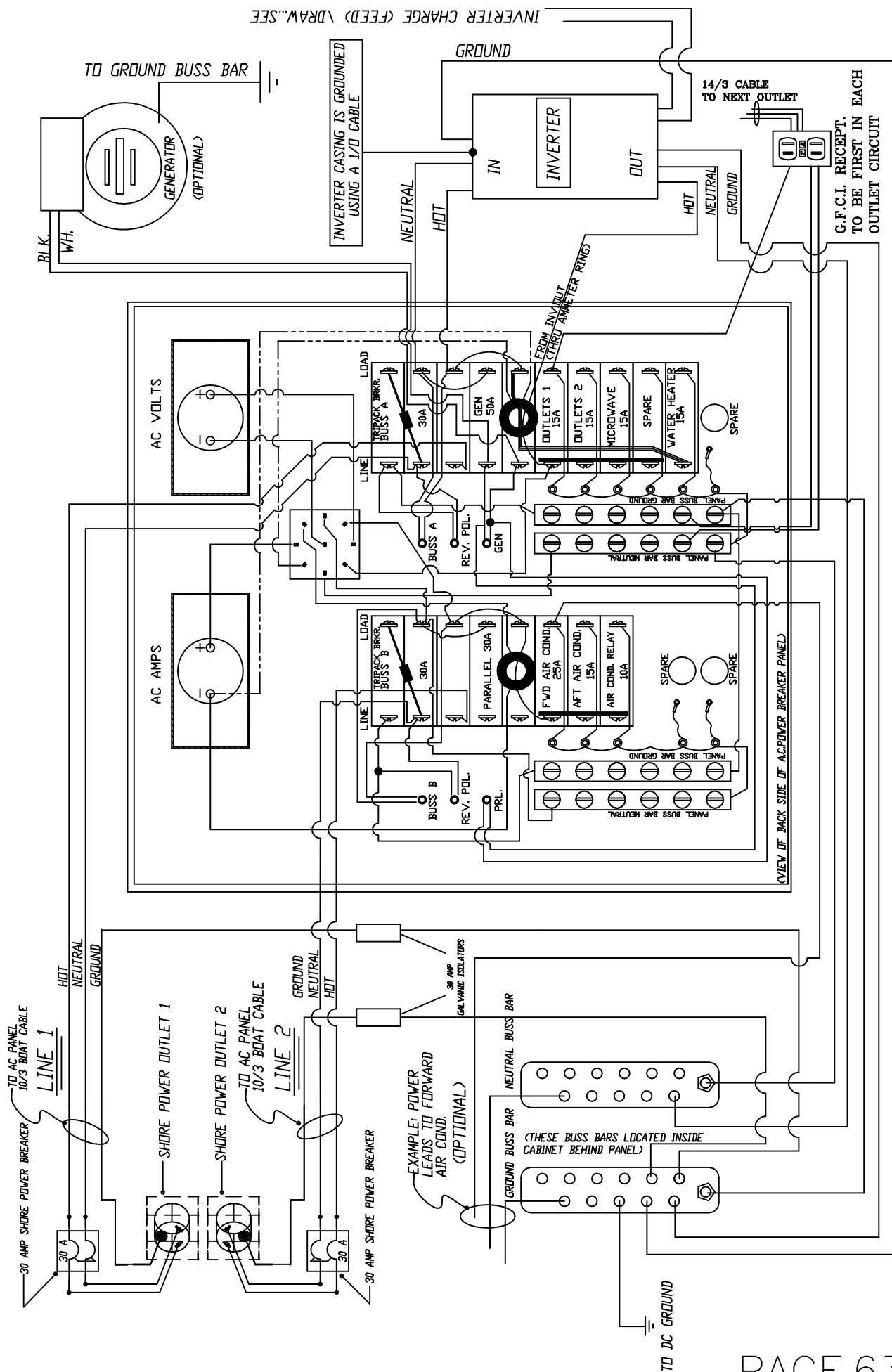
GROUND

NEUTRAL

GROUND

LOAD

LOAD



INVERTER CHARGE (FEED) \DRAW...SEE

TO GROUND BUSS BAR

INVERTER CASING IS GROUNDED USING A 1/0 CABLE

14/3 CABLE TO NEXT OUTLET

G.F.C.I. RECEPT. TO BE FIRST IN EACH OUTLET CIRCUIT

NOTE: THE HOT SIDE OF THE WATER HEATER BREAKER IS SEPARATED FROM THE BREAKER BUSS BAR BECAUSE THE INVERTER IS NOT CAPABLE OF POWERING THE WATER HEATER

NOTE: IF OPTIONAL WASHER/DRYER CHOSEN INSTALL BREAKER (CORRECT AMPERAGE) BUT DO NOT CONNECT HOT SIDE OF BREAKER TO BREAKER BUSS BAR, THE INVERTER IS NOT ABLE TO POWER THE WASHER/DRYER

P220 AC PANEL SCHEMATIC W/ (INVERT. AND GEN.)	
REVISION NO.	NONE
DATE	3/5/99
ENGINEERING DEPT.	



This document contains information for which HUNTER MARINE CORP. has proprietary rights.

## 12V.D.C. SYSTEM TROUBLESHOOTING GUIDE

TO POWER PANEL: TURN ON "D.C. MAIN" BREAKER ON HOUSE BATTERY SWITCH PANEL, IT IS NOT NECESSARY TO TURN HOUSE BATTERY SWITCH ON.  
IF NO POWER TO PANEL, CHECK 300 AMP IN-FUSE AT THE HOUSE BATTERIES.

COMPONENT	SYMPTOM	POSSIBLE SOLUTIONS
PANEL LIGHTS	PANEL WON'T ILLUMINATE	SEE "TO POWER PANEL" ABOVE BATTERY TERMINALS CLEAN? SEEK QUALIFIED PERSONELL
CABIN LIGHTS	WON'T ILLUMINATE	SEE "TO POWER PANEL" ABOVE BULB/S NEED REPLACING?
COURTESY LIGHTS	WON'T ILLUMINATE	SEE "TO POWER PANEL" ABOVE BULBS/S NEED REPLACING?
COCKPIT LIGHTS	WON'T ILLUMINATE	SEE "TO POWER PANEL" ABOVE BULBS/S NEED REPLACING?
WATER PUMP	NO POWER CYCLES ON/OFF EXCESSIVELY	SEE "TO POWER PANEL" ABOVE FAUCETS OFF? LEAK IN SYSTEM SEE PAGEC 57A FOR CONNECTION LOC.
SUMP PUMP	WON'T PUMP WHEN SUMP BOX FILLED (PUMP WON,T QUIT RUNNING) PUMP MAKES NOISE, DOESN'T PUMP PUMP RUNS BUT DOESN'T PUMP	SEE "TO POWER PANEL" ABOVE IS FLOAT SWITCH STUCK? DEBRIS IN PUMP IMPELLER? DISCHARGE HOSE CLOGGED?
STEREO	WON'T TURN ON	SEE "TO POWER PANEL" ABOVE CHECK INLINE FUSE BEHIND STEREO.
ANC., ST., DECK, & RUNNING. LIGHTS	WON'T ILLUMINATE	SEE "TO POWER PANEL" ABOVE CHECK CONNECTIONS IN ACCESS PANEL AT TOP OF COMPRESSION POST BULBS NEED REPLACING?
INSTRUMENTS	REPEATERS DON'T OPERATE	SEE "TO POWER PANEL" ABOVE DO TRANSDUCERS NEED CLEANING? SEE "INSTRUMENTS" MANUAL
V.H.F. RADIO	WON'T OPERATE  TURNS ON WON'T TRANSMIT/RECEIVE	SEE "TO POWER PANEL" ABOVE RADIO TURNED ON? ANTENNA CONNECTED PROPERLY?
WINDLASS	UP/DOWN CONTROLS DON'T OPERATE WINDLASS	SEE "TO POWER PANEL" ABOVE IS RESET "TRIPPED" ON WINDLASS RESET PANEL?
OPT. AUTO PILOT	WON'T OPERATE WON,T HOLD STEADY COURSE  CONSTANTLY ADJUSTING HELM	SEE "TO POWER PANEL" ABOVE IS THERE ANY METAL OBJECTS NEAR THE FLUX GATE COMPASS LOCATED IN THE CENTER BILGE COMPARTMENT? SENSITIVITY SETTING SET TO HIGH, SEE "AUTO PILOT MANUAL" FOR SENS. ADJ.
MACERATOR/S	WON'T TURN ON RUNS BUT DOESN'T DISCHARGE  PUMP MAKES NOISE, DOESN'T PUMP	SEE "TO POWER PANEL" IS DISCHARGE SEACOCK OPEN? IS WASTE DECK FITTING SECURE, IS IT PULLING AIR THRU? IF SO, TIGHTEN CAP OR REPLACE O- RING ON CAP. IS TANK VENT (HULL FITTING) CLOGGED? SEE PAGE 60 FOR LOCATIONS LODGED DEBRIS, <b>TURN OFF POWER</b> TO PUMP, INSERT SCREWDRIVER INTO PUMP ARMATURE AT END OF PUMP AND TURN TO DISLodge DEBRIS
NOTE: COMPONENT/S FAILURE COULD ALSO BE THE RESULT OF A POOR "GROUND" CONNECTION. SEE GROUND SYSTEM LAYOUT. DUE TO VIBRATION, WEATHER CONDITIONS, ECT. OCCASIONAL INSPECTION, CLEANING AND TIGHTENING OF THESE TERMINALS (BY QUALIFIED PERSONELL) MAY BE NECESSARY.		



**12V. D.C. SYSTEM TROUBLESHOOTING GUIDE CONT:**

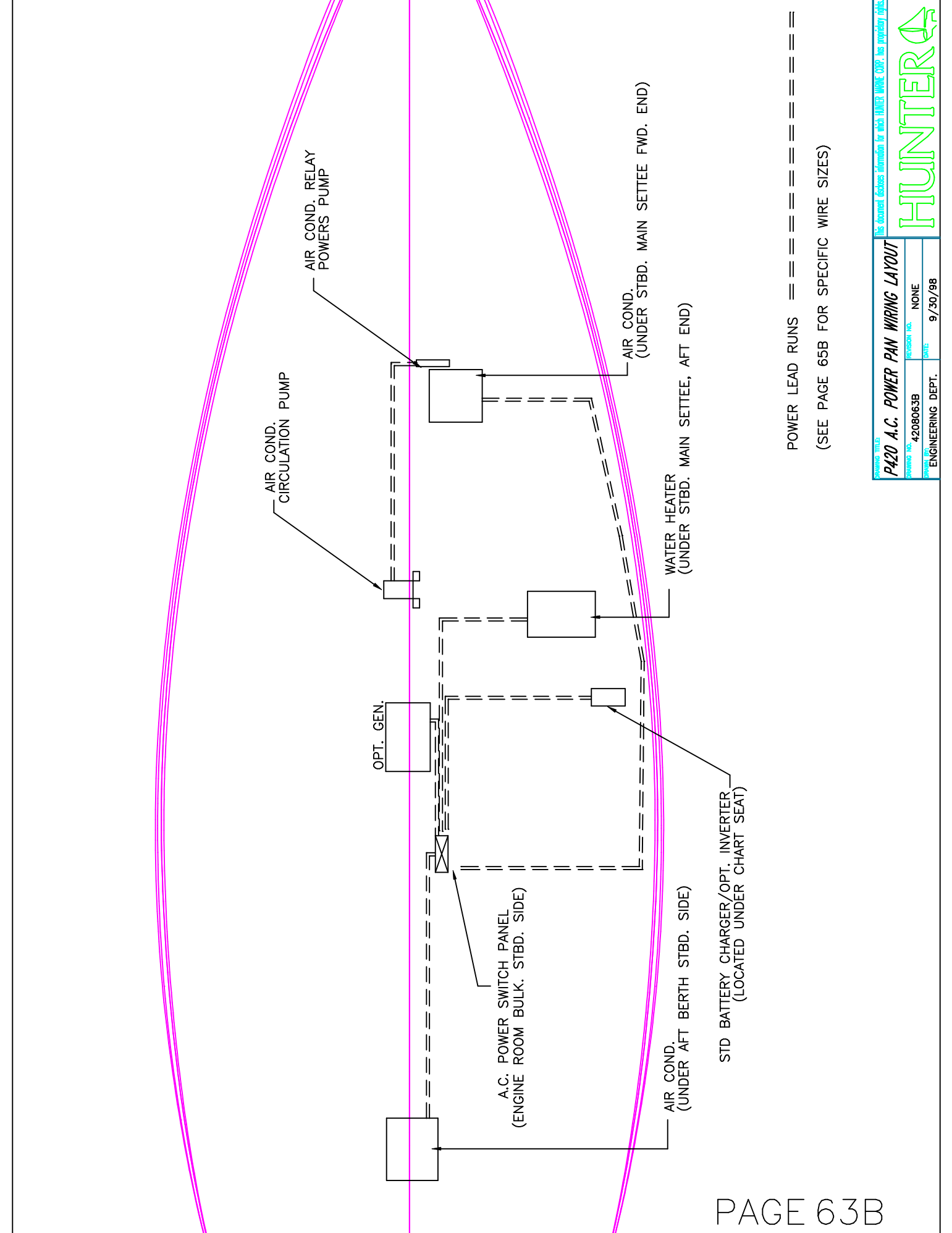
COMPONENT	SYMPTOM	POSSIBLE SOLUTION/S
L.P. GAS	NO POWER TO SWITCH AT GALLEY SYSTEM TURNS ON, NO GAS PRESENT	SEE "TO POWER PANEL" PREV. PAGE IS TANK VALVE OPEN? IS TANK EMPTY? SEE "STOVE/OVEN" MANUAL
BLOWER	WON'T TURN ON	SEE "TO POWER PANEL" PREV. PAGE DID YOUR AUTOMATIC FIRE EXTINGUISHING SYSTEM LOSE PRESSURE?
BILGE PUMP	WON'T OPERATE AUTO OR MANUAL  PUMP MAKES NOISE, DOESN'T PUMP PUMP RUNS BUT DOESN'T DISCHARGE	BATTERY LEVEL O.K.? SEE VOLT METER CHECK BILGE RESET ON HOUSE BATTERY SWITCH PANEL. BATTERY CONNECTIONS GOOD? DEBRIS IN PUMP IMPELLER? DISCHARGE HOSE CLOGGED?
VOLT METER	NO VOLTAGE DISPLAYED	SEE "TO POWER PANEL" PREV. PAGE CK. FUSES ON HOUSE BATTERY SW. PANEL ARE BATTERY CONNECTIONS GOOD? HAVE BATTERIES CHECKED HAVE METER CHECKED BY QUALIFIED PERSONNEL.
AMP METER	NO AMPERAGE DISPLAYED	IS D.C. MAIN ON? IS ANYTHING IN THE 12V. SYSTEM TURNED ON & RUNNING? HAVE METER CHECKED BY QUALIFIED PERSONNEL.
SOLAR PANEL	NO OUTPUT TO BATTERY/S	CK. FUSE ON START BATTERY ON/OFF SWITCH PANEL.

**120V.A.C. (230V. OVERSEAS MODELS) SYSTEM TROUBLESHOOTING GUIDE**

<b>COMPONENT</b>	<b>SYMPTOM</b>	<b>POSSIBLE SOLUTION/S</b>
SHORE POWER "A"	NO POWER TO PANEL	SEE "POWER SYSTEM OPERATIONS" PAGE 63A-2 CHECK DOCKSIDE BREAKER AND/OR BREAKER LOCATED INSIDE STARBOARD AFT STATEROOM HEADLINER (230V. MODELS INSIDE STB. SWIMSEAT LOCKER) CHECK RESET/S ON INVERTER. SEE "INV MANUAL" FOR LOCATION OF RESETS
OUTLETS #1 & 2	NO POWER	SEE "POWER SYSTEM OPERATIONS" PAGE 63A-2 IS OUTLET BREAKER/S ON? CHECK RESET ON G.F.I. OUTLETS AT GALLEY & AT NAV. STATION. CHECK INPUT/OUTPUT RESETS ON OPT. INVERTER MODELS SEE "INV MANUAL" FOR LOCATION OF RESETS.
MICROWAVE	NO POWER	IS BREAKER ON? SEE "POWER SYSTEM OPERATIONS" PAGE 63A-2 IS MICROWAVE ON? SEE "MICRO MANUAL"
WATER HEATER	NO POWER  WON'T HEAT WATER  WATER TO COLD/HOT	IS BREAKER ON? SEE "POWER SYSTEM OPERATIONS" PAGE 63A-2 CHECK "RESET" ON WATER HEATER SEE "WATER HEATER MANUAL" FOR LOCATION. SEE "WATER HEATER MANUAL" FOR THERMOSTAT ADJUSTMENT AND/OR ELEMENT REPLACEMENT, SEEK QUALIFIED PERSONELL.
INVERTER/BATT. CHARGER	INV. NOT SUPPLYING A.C.POWER  INV. ON BUT UNABLE TO OPERATE DESIRED APPLIANCE/S	IS INVERTER REMOTE SWITCH AT NAV. STATION ON? IS DESIRED APPLIANCE BREAKER ON? IS BATTERY VOLTAGE LOW? SEE VOLTAGE DISPLAY ON INVERTER REMOTE PANEL, SELECT OTHER BATTERY ON INVERTER/DRAW SELECTOR SWITCH PANEL IN AFT STRM. ARE YOU ASKING THE INVERTER TO POWER MORE THAN IT IS CAPABLE? SEE "INVERTER MANUAL" FOR INFORMATION REGARDING POWER OUTPUT CAPABILITIES.
INVERTER/BATT. CHARGER	NOT CHARGING BATTERY/S	IS SHORE POWER "A".ON? SEE "POWER SYSTEM OPERATIONS" PAGE 63A-2 IS HOUSE BATTERY SWITCH IN THE "ON" POSITION? CHECK IN-LINE FUSE AT BATTERY/S ARE BATTERY CONNECTIONS GOOD? INVERTER REMOTE SWITCH SHOULD BE IN THE "OFF" POSITION. (THIS IS NECESSARY IN THE EVENT YOU "LOSE" SHORE POWER, THE INVERTER DOESN'T GO INTO INVERT MODE CAUSING BATT./S TO DRAIN IF YOU LEFT AN A.C. APPLIANCE ON..
BATTERY CHARGER	NOT CHARGING BATTERY/S	IS SHORE POWER "A".ON? CHECK RESETS ON HOUSE BATTERY SWITCH PANEL. CHECK IN-LINE FUSE AT BATTERY/S ARE BATTERY CONNECTIONS GOOD?

**120V.A.C. (230V. OVERSEAS MODELS) SYSTEM TROUBLESHOOTING GUIDE CONT:**

COMPONENT	SYMPTOM	POSSIBLE SOLUTIONS
SHORE POWER "B"	NO POWER TO PANEL	IS SHORE POWER "B" BREAKER ON? CHECK DOCKSIDE BREAKER CHECK SHORE POWER BREAKER LOCATED IN HEADLINER STBD. AFT STRM. (ON 230V.A.C. MODELS IN STBD. AFT SWIMSEAT LOCKER.)
AIR COND. FWD/AFT	WON'T TURN ON  TURNS ON THEN SHUTS DOWN  OTHER	ARE APPROPRIATE BREAKER/S ON? SEE "POWER SYSTEMS OPERATION" PAGE 63A-2 SEE "MARINE AIR" MANUAL IS AIR COND. RELAY "ON" ? IS AIR COND. RAW WATER SEACOCK OPEN? IF SO, IS WATER CIRCULATING? SEE PAGE 60 FOR AIR COND. DISCHARGE THRUHULL LOCATION, IF NOT IS AIR COND. PICKUP BEING RESTRICTED BY DEBRIS? SEE "MARINE AIR" MANUAL
<b>OPTIONAL GENERATOR (APPLIES TO BOTH "A" &amp; "B" SIDES OF A.C. PANEL)</b>		
GENERATOR	NO POWER TO STARTER RUNNING, BUT NO POWER AT PANEL.  WON'T START  GEN. STARTS THEN SHUTS DOWN	IS START BATT. SELECTOR SWITCH ON? IS "GENERATOR BREAKER" ON "A" SIDE OF PANEL ON? (MOVE SLIDE BAR UP TO TURN THIS BREAKER ON). IS "PARALLEL BREAKER" ON "B" SIDE OF PANEL ON? (TO POWER "B" SIDE OF A.C. PANEL) SEE GENERATOR MANUAL DID YOU FOLLOW PROPER STARTING PROCEDURE AS DESCRIBED IN THE "GENERATOR MANUAL"? DO YOU HAVE AN AMPLE AMOUNT OF DIESEL FUEL? REMEMBER THE GENERATOR FUEL PICKUP TUBE IS SHORTER THAN THE PICKUP TUBE FOR THE ENGINE, THIS PREVENTS GENERATOR FROM DRAINING TANK SINCE ENGINE POWER IS MORE IMPORTANT THAN GENERATOR POWER. REFER TO GENERATOR MANUAL FOR POSSIBLE FUSE OR RESET ON GENERATOR. HAS THE AUTOMATIC FIRE EXTINGUISHER SYSTEM LOSE PRESSURE? IS RAW WATER PICKUP SEACOCK OPEN? IS RAW WATER PICKUP BEING RESTRICTED BY DEBRIS?

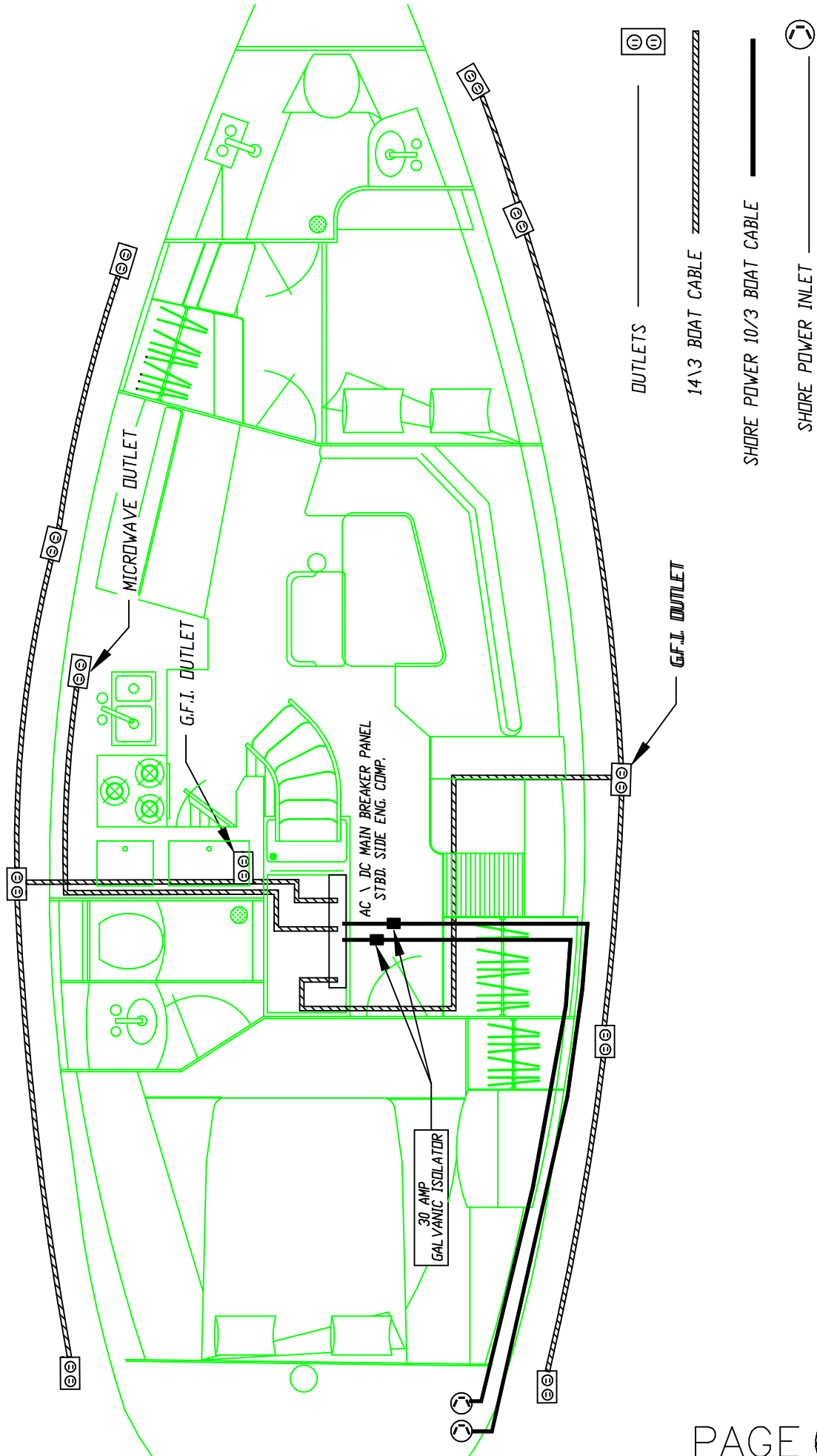


POWER LEAD RUNS = = = = =  
 (SEE PAGE 65B FOR SPECIFIC WIRE SIZES)

This document contains information for which HUNTER MARINE CORP. has proprietary rights.

<b>P420 A.C. POWER PAN WIRING LAYOUT</b>			
REVISED NO.	4208063B	REVISION NO.	NONE
DATE		DATE	9/30/98
ENGINEERING DEPT.			

HUNTER



FOR MORE TITLES  
This document contains information for which HUNTER MARINE CORP. has proprietary rights.

**P420 A.C. WIRING HEADLINER**

REVISED NO.	4208063C	REVISION NO.	NONE
DATE	1/25/98	DATE	1/25/98
ENGINEERING DEPT.			

**HUNTER**

SECTION 63D...OPTIONAL AIR COND. SYSTEMS

BASIC OPERATING INSTRUCTIONS:

- ① CHOOSE POWER SOURCE (SHORE POWER OR GENERATOR) SEE PAGES 63A-2
- ② CHECK AIR COND. SEA STRAINER, (SEE PAGE 60 FOR LOCATION) CLEAN IF NECESSARY
- ③ OPEN RAW WATER PICKUP SEACOCK (SEE PAGE 60A FOR LOCATION)
- ④ ENSURE THE DISCHARGE SEACOCK IS OPEN (SEE PAGE 60A FOR LOCATION)
- ⑤ TURN ON RELAY BREAKER UNDER AIR COND. BREAKERS
- ⑥ TURN ON DESIRED AIR COND. BREAKER/S
- ⑦ TURN ON UNIT/S AT THERMOSTAT DISPLAY PANEL AND SET TEMP.

NOTE:

IF ANY OTHER APPLIANCES ARE TO BE USED WHEN AIR CONDITIONERS ARE RUNNING WHEN ON SHORE POWER, BOTH "SHORE POWER A" AND "SHORE POWER B" CABLES MUST BE CONNECTED.

IF THERE IS NO POWER AT PANEL WHEN CONNECTED TO SHORE POWER, SEE TROUBLESHOOTING GUIDE PAGE 63A-13

SEE MARINE AIR MANUAL FOR DETAILED OPERATING PROGRAMMING/TROUBLESHOOTING INSTRUCTIONS

OWNER FILE  
**P420 AIR COND. OPERATING INST.**

ISSUANCE NO.  
4208063D-1

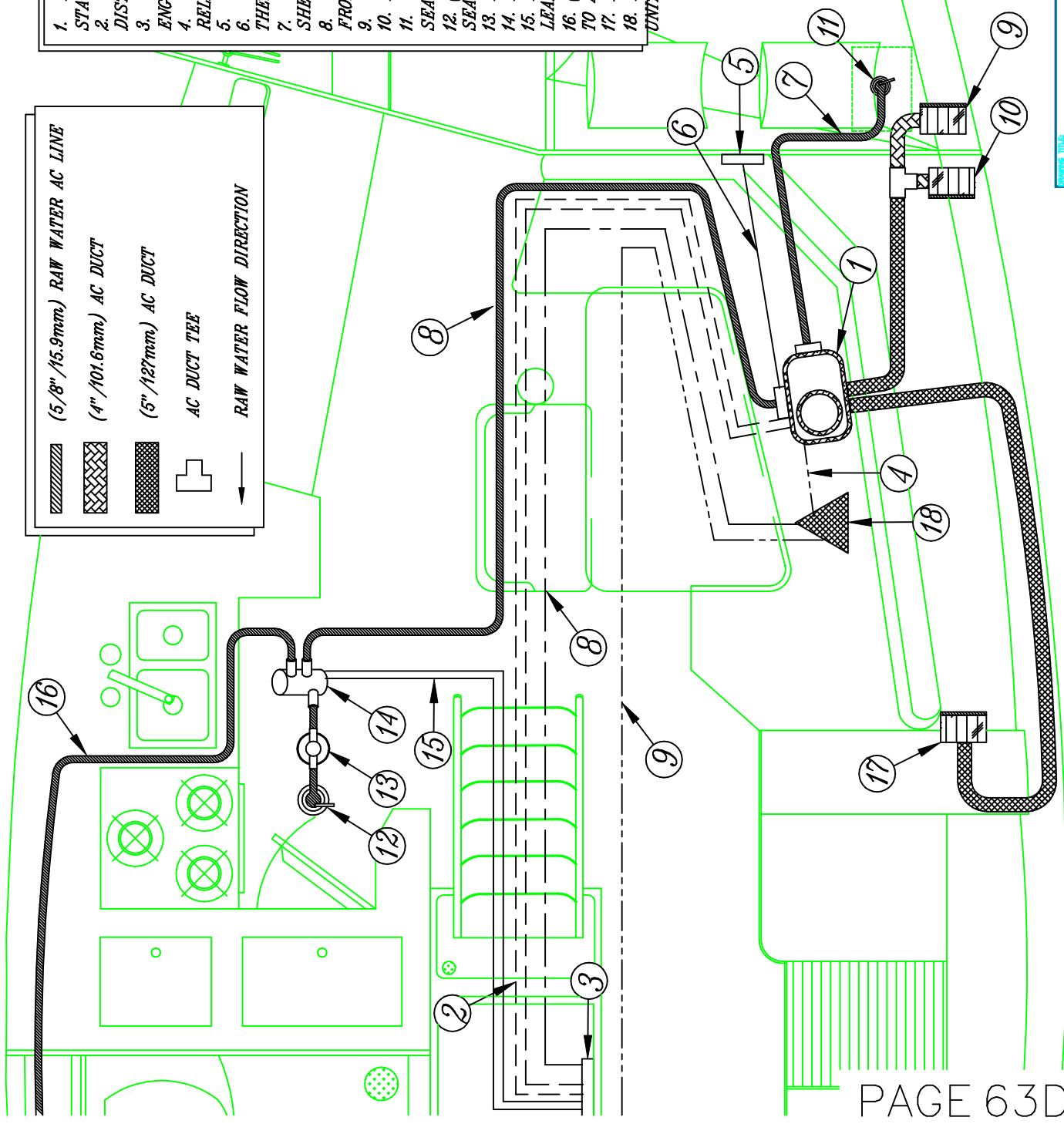
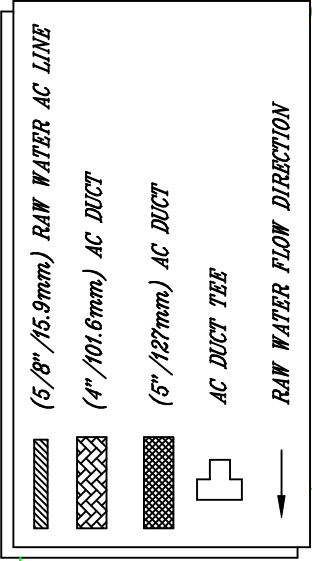
REVISION NO.  
NONE

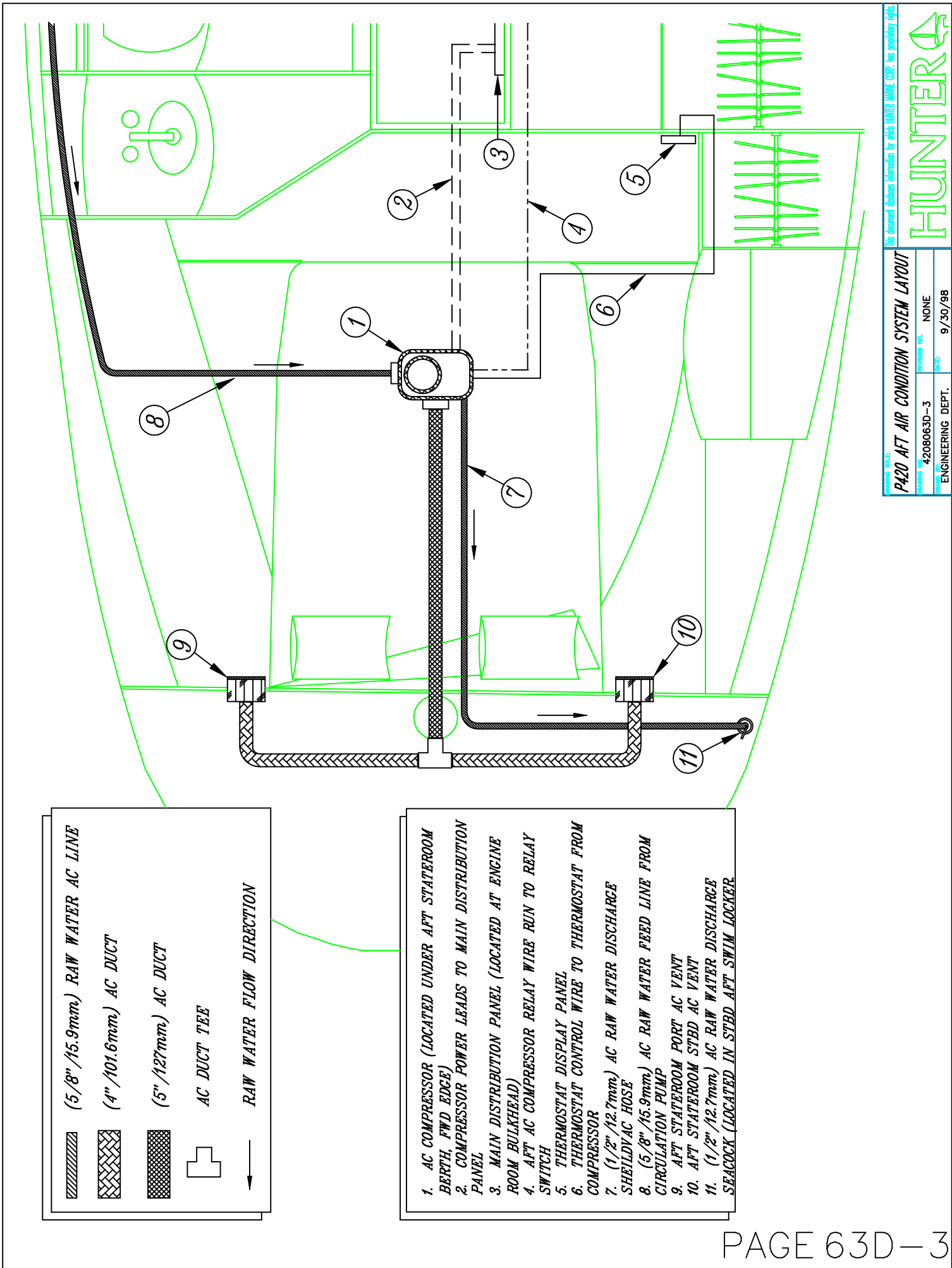
ISSUANCE DATE  
ENGINEERING DEPT 9/30/98






This document contains information for which HUNTER MARINE CORP. has proprietary rights.

**HUNTER**

1. AC COMPRESSOR (LOCATED UNDER AFT STATEROOM BERTH, FWD EDGE)
2. COMPRESSOR POWER LEADS TO MAIN DISTRIBUTION PANEL
3. MAIN DISTRIBUTION PANEL (LOCATED AT ENGINE ROOM BULKHEAD)
4. FWD AC COMPRESSOR RELAY WIRE RUN TO RELAY SWITCH
5. THERMOSTAT DISPLAY PANEL
6. THERMOSTAT CONTROL WIRE TO THERMOSTAT FROM COMPRESSOR
7. THERMOSTAT FROM COMPRESSOR (1/2" /12.7mm) AC RAW WATER DISCHARGE SHEILDVAC HOSE
8. (5/8" /15.9mm) AC RAW WATER FEED LINE FROM CIRCULATION PUMP
9. FWD STATEROOM AC VENT
10. MAIN SALON FWD AC VENT
11. (1/2" /12.7mm) AC RAW WATER DISCHARGE SEACOCK (LOCATED IN STBD AFT SWIM LOCKER)
12. (5/8" /15.9mm) AC RAW WATER PICK UP SEACOCK
13. AC RAW WATER PICK UP SEA STRAINER
14. AC RAW WATER CIRCULATION PUMP
15. RAW WATER CIRCULATION PUMP POWER LEADS TO MAIN DISTRIBUTION PANEL
16. (5/8" /15.9mm) AC RAW WATER FEED LINE TO AFT COMPRESSOR
17. MAIN SALON AFT AC VENT
18. AC RELAY SWITCH (ONE SWITCH FOR BOTH UNITS)

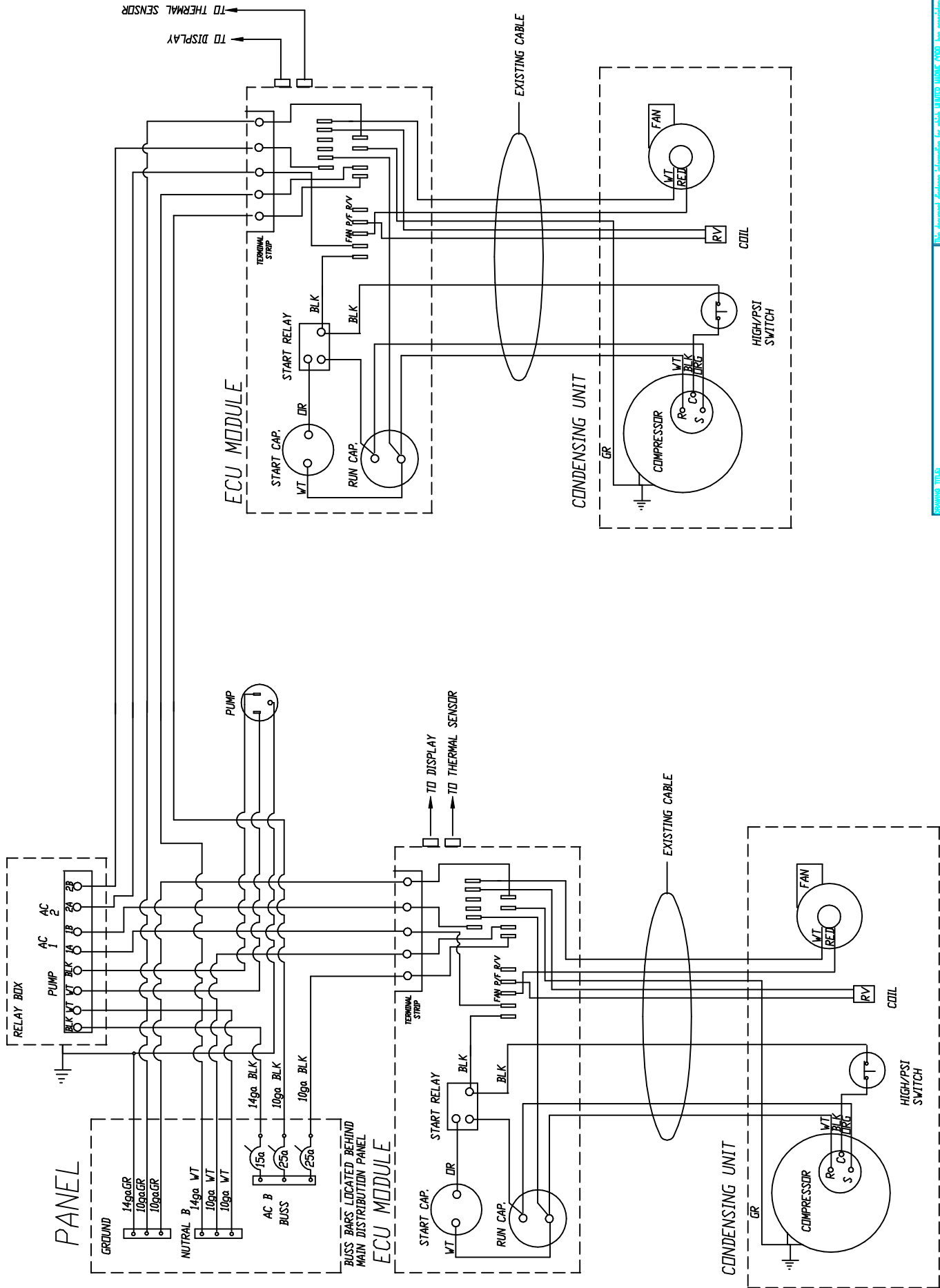




 (5/8" /15.9mm) RAW WATER AC LINE  
 (4" /101.6mm) AC DUCT  
 (5" /127mm) AC DUCT  
 AC DUCT TEE  
 RAW WATER FLOW DIRECTION

1. AC COMPRESSOR (LOCATED UNDER AFT STATEROOM BERTH, FWD EDGE)
2. COMPRESSOR POWER LEADS TO MAIN DISTRIBUTION PANEL
3. MAIN DISTRIBUTION PANEL (LOCATED AT ENGINE ROOM BULKHEAD)
4. AFT AC COMPRESSOR RELAY WIRE RUN TO RELAY SWITCH
5. THERMOSTAT DISPLAY PANEL
6. THERMOSTAT CONTROL WIRE TO THERMOSTAT FROM COMPRESSOR
7. (1/2" /12.7mm) AC RAW WATER DISCHARGE SHIELDVAC HOSE
8. (5/8" /15.9mm) AC RAW WATER FEED LINE FROM CIRCULATION PUMP
9. AFT STATEROOM PORT AC VENT
10. AFT STATEROOM STBD AC VENT
11. (1/2" /12.7mm) AC RAW WATER DISCHARGE SEACOCK (LOCATED IN STBD AFT SWIM LOCKER)

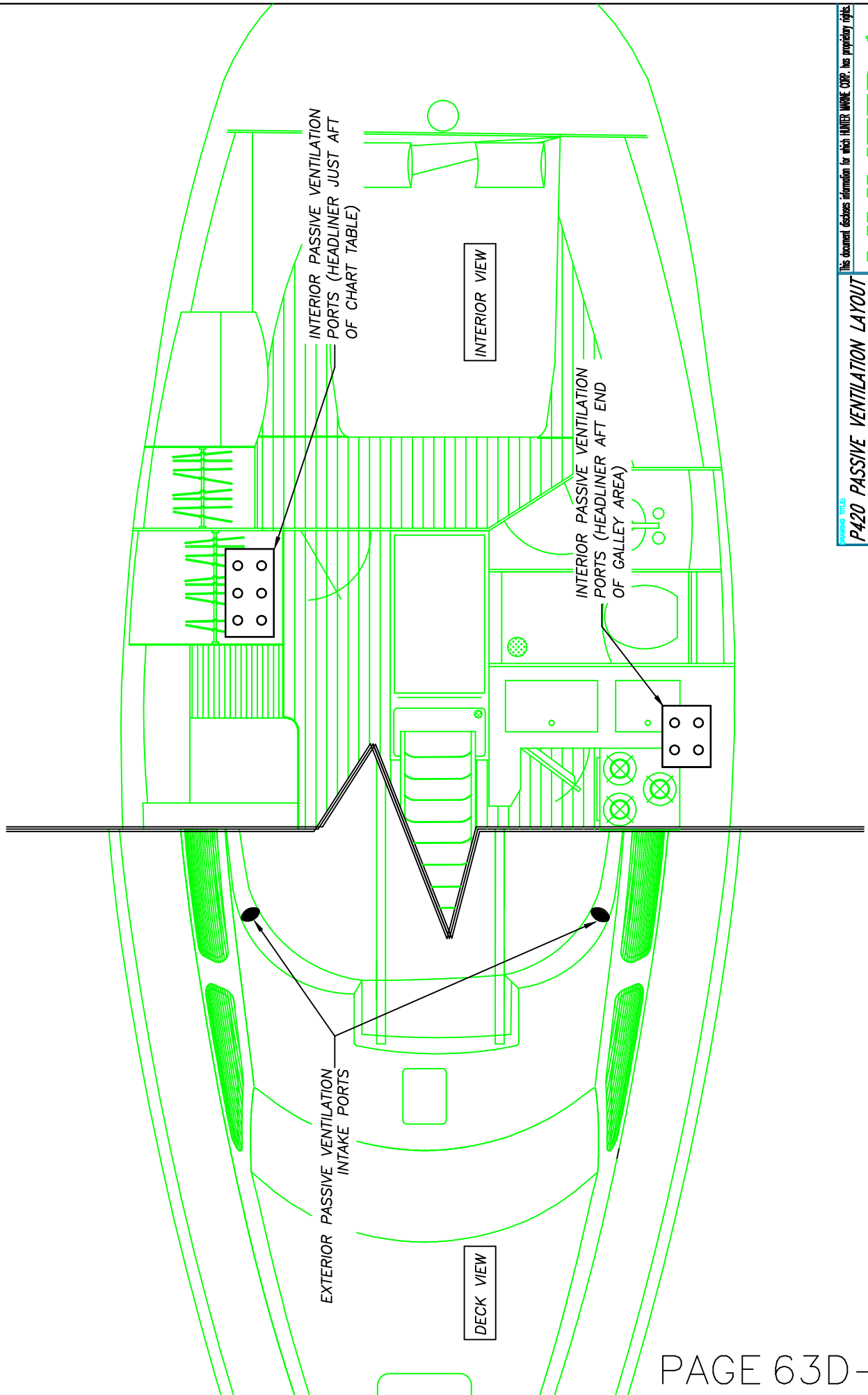




THIS DOCUMENT PROVIDES INFORMATION FOR WHICH HUNTER ENGINE CORP. HAS PROPRIETARY RIGHTS.



P420 AIR COND. SCHEMATIC	
REVISED BY	4208063D-4
REVISION NO.	NONE
DATE	ENGINEERING DEPT.
ENGINEERING DEPT.	ENGINEERING DEPT.



This document discloses information for which HUNTERA MARINE CORP. has proprietary rights.



**P420 PASSIVE VENTILATION LAYOUT**

PROJECT NO.	4208063D-5	REVISION NO.	NONE
ENGINEERING DEPT.		DATE	10/20/98

OPTIONAL 6 KW GENERATOR SYSTEM...

BASIC OPERATING INSTRUCTIONS: (NOTE: READ GENERATOR MANUAL BEFORE OPERATING GEN.)

- ① CHECK DIESEL FUEL LEVEL
- ② CHECK OIL LEVEL IN GENERATOR (SEE GENERATOR MANUAL FOR INST.)
- ③ TURN ON START BATTERY SELECTOR SWITCH (ON ENG. ROOM BULK, AFT STRM.)
- ④ CHECK SEA STRAINER (UNDER SOLE AFT OF AFT STRM. DOOR)
- ⑤ OPEN RAW WATER SEACOCK (LOCATED W/STRAINER)
- ⑥ START GENERATOR USING START PROCEDURE IN "GENERATOR MANUAL"
- ⑦ TURN ON "GENERATOR" BRKR. ON "A" SIDE OF A.C. PANEL TO POWER "A" SIDE AND (IF DESIRED) TO POWER "B" SIDE OF PANEL, RAISE SLIDE BAR ON "B" SIDE OF A.C. PANEL AND TURN "PARALLEL" BREAKER TO THE "ON" POSITION
- ⑧ TURN ON DESIRED APPLIANCE BREAKER (FOR EXAMPLE "OUTLETS")
- ⑨ TO SHUT GEN. DOWN PUSH STOP SWITCH UNTIL GEN STOPS.

NOTE: SEE GENERATOR MANUAL FOR PROPER MAINTENANCE, TROUBLESHOOTING, ETC.



SECTION 63F.....INVERTER SYSTEM

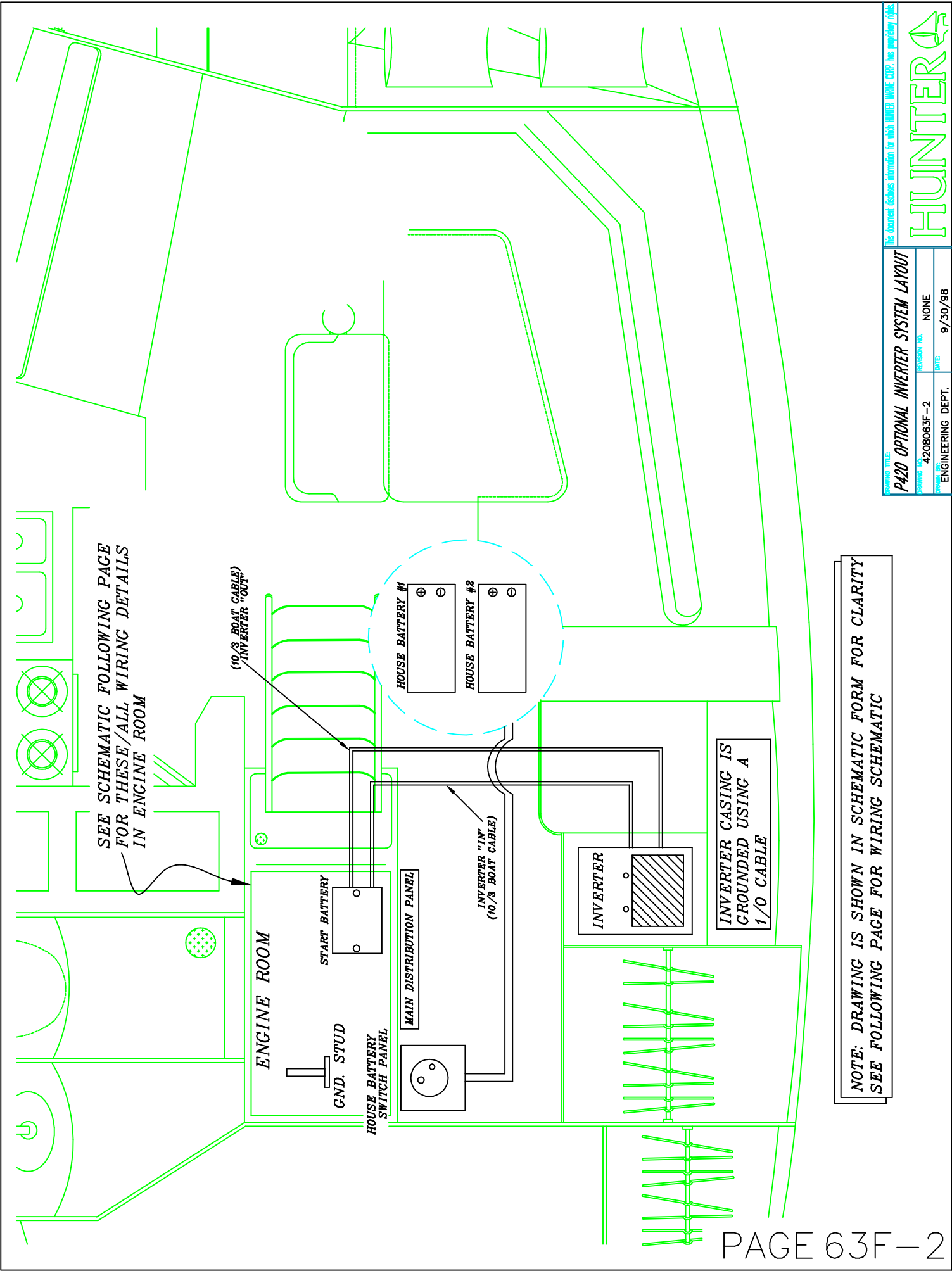
BASIC OPERATING INSTRUCTIONS: (FOR INVERTING D.C. POWER TO A.C. POWER)

- ① TURN THE HOUSE BATTERY SWITCH TO THE "ON" POSITION.
- ② TURN ON INVERTER REMOTE PANEL AT THE NAVIGATION STATION.
- ③ TURN ON APPROPRIATE APPLIANCE BREAKER ON A.C. SIDE OF PANEL.

NOTE:

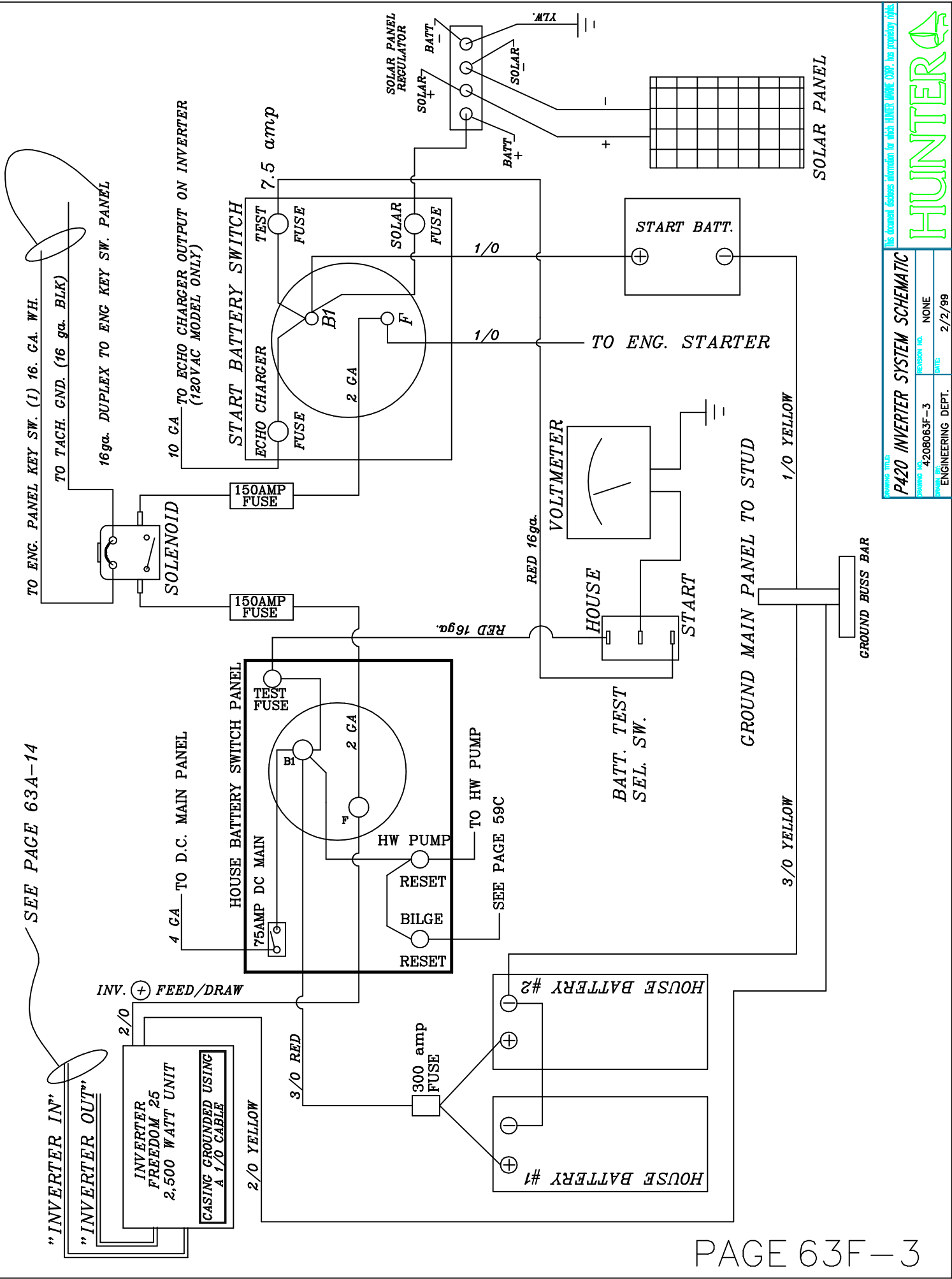
READ "INVERTER" SECTION ON PAGE 63A-2 FOR INVERTER SYSTEM DETAILS

SEE INVERTER MANUAL FOR TECHNICAL DATA, TROUBLESHOOTING, ETC.  
OPERATING/PROGRAMMING INSTRUCTIONS



NOTE: DRAWING IS SHOWN IN SCHEMATIC FORM FOR CLARITY  
SEE FOLLOWING PAGE FOR WIRING SCHEMATIC

SEE PAGE 63A-14

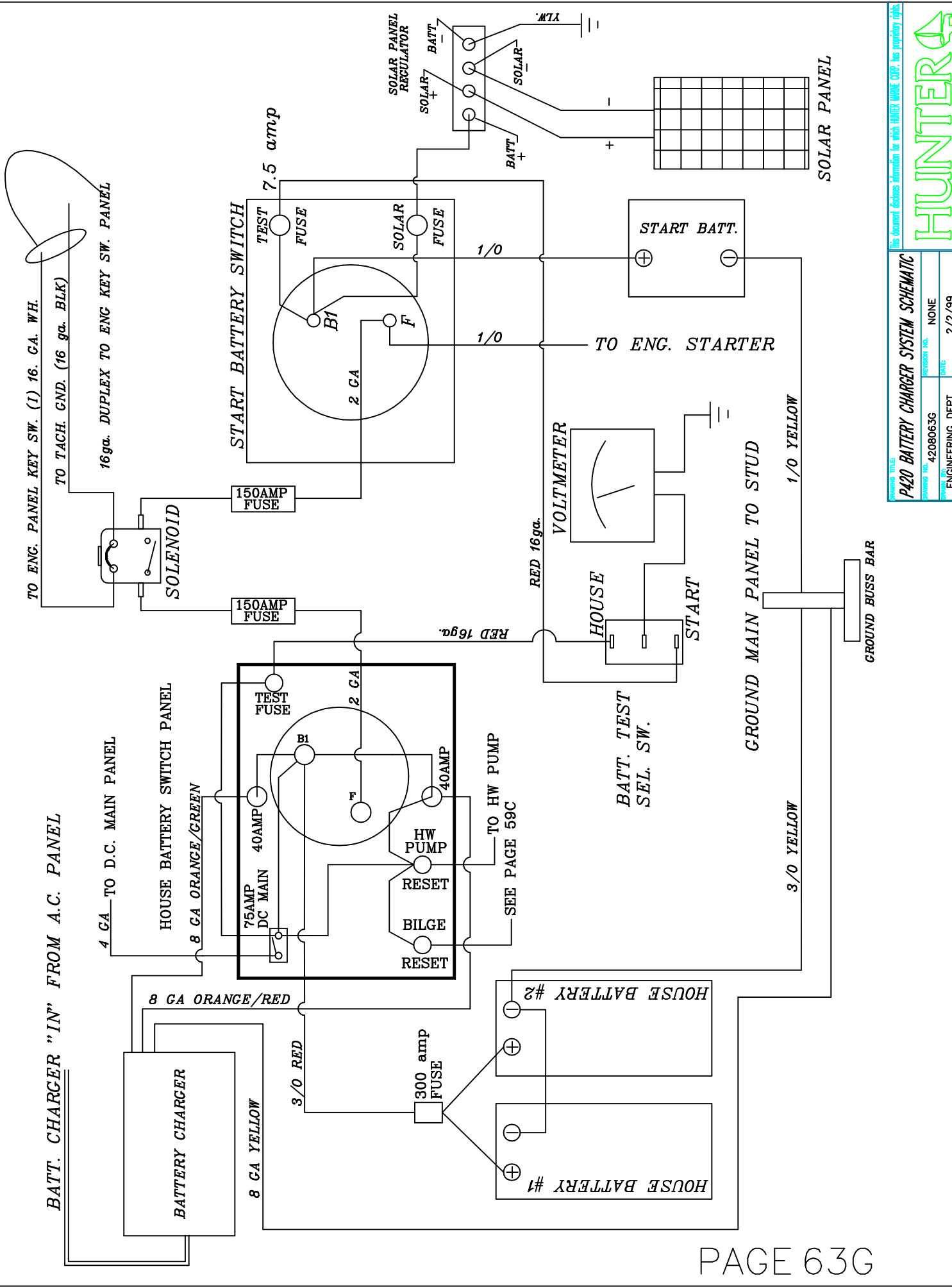


**HUNTERA**

REVISED FILE: P420 INVERTER SYSTEM SCHEMATIC

REVISED NO.	4208063F-3	REVISION NO.	NONE
ENGINEERING DEPT.		DATE	2/2/99

This document contains information for which HUNTER MARINE CORP. has proprietary rights.



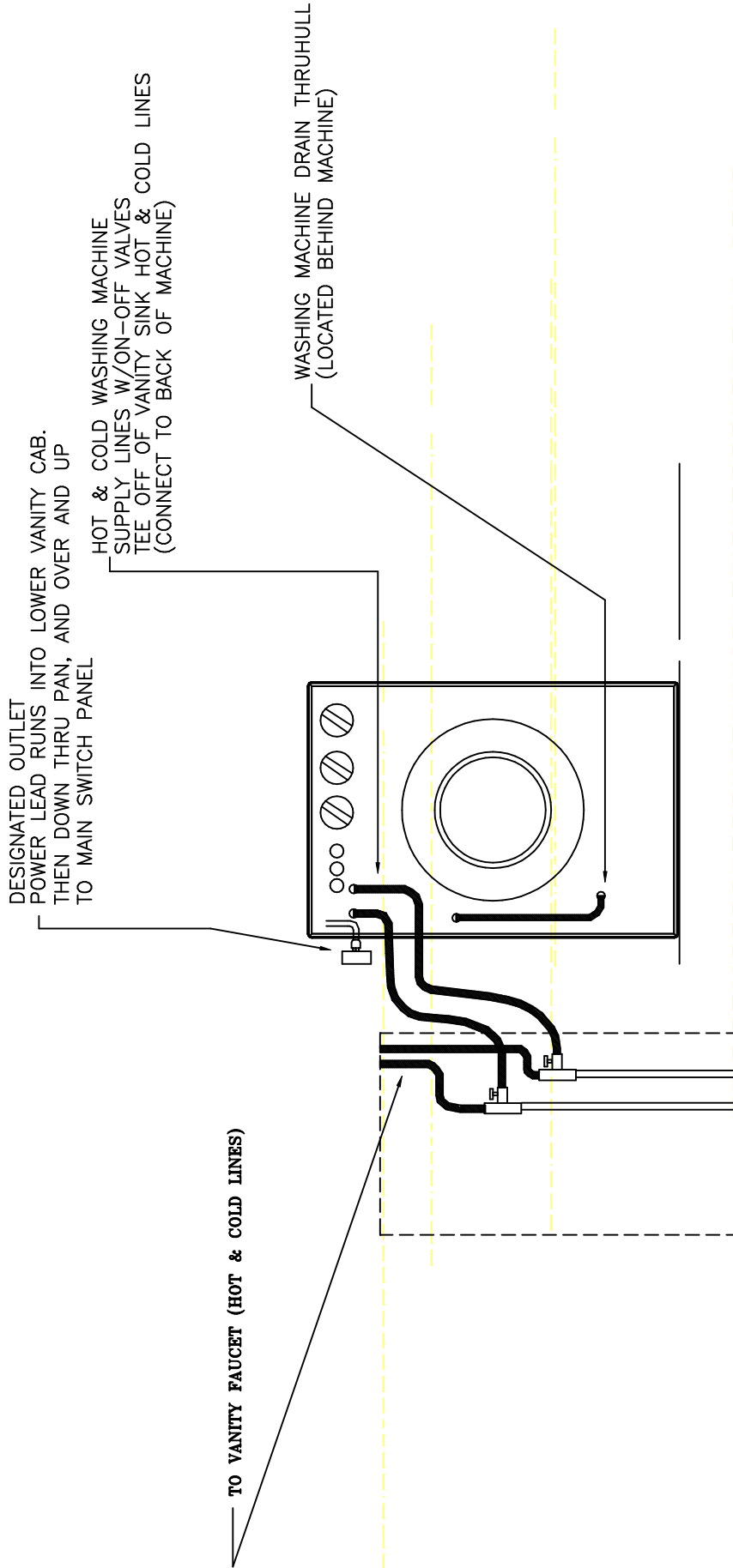
[Return to Table](#)  
[This document contains information for which HUNTER MARINE CORP. has proprietary rights.](#)

<b>P420 BATTERY CHARGER SYSTEM SCHEMATIC</b>			
REVISED NO.	4208063G	REVISION NO.	NONE
DATE		DATE	2/2/99
ENGINEERING DEPT.			





**NOTE: SEE WASHING MACHINE OWNERS MANUAL FOR OPERATING INST., MAINTENANCE ETC.**



LOWER VANITY COMP.

AFT STRM. STBD. HANGING LOCKER

VIEW: PORT LOOKING STBD.

**P420 OPT. WASHING MACHINE LAYOUT**

PROJECT NO.	4208063H	REVISION NO.	NONE
ENGINEERING DEPT.		DATE	1/26/98

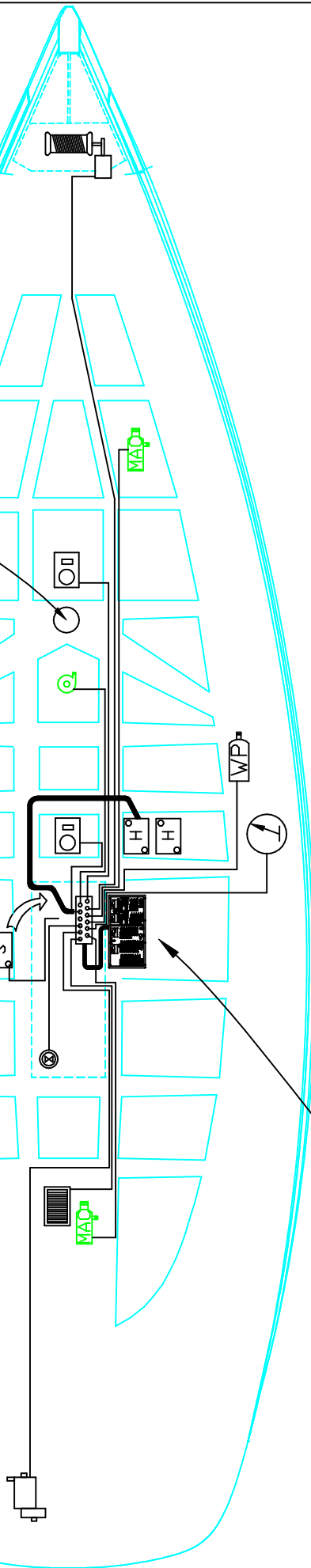




INVERTER  
GND. BUSS BAR

MAST COMPRESSION POST  
GROUNDS TO KEEL STUD

NOTE: BATTERY  
LOCATED IN  
ENGINE COMPMT.  
SHOWN HERE  
FOR CLARITY



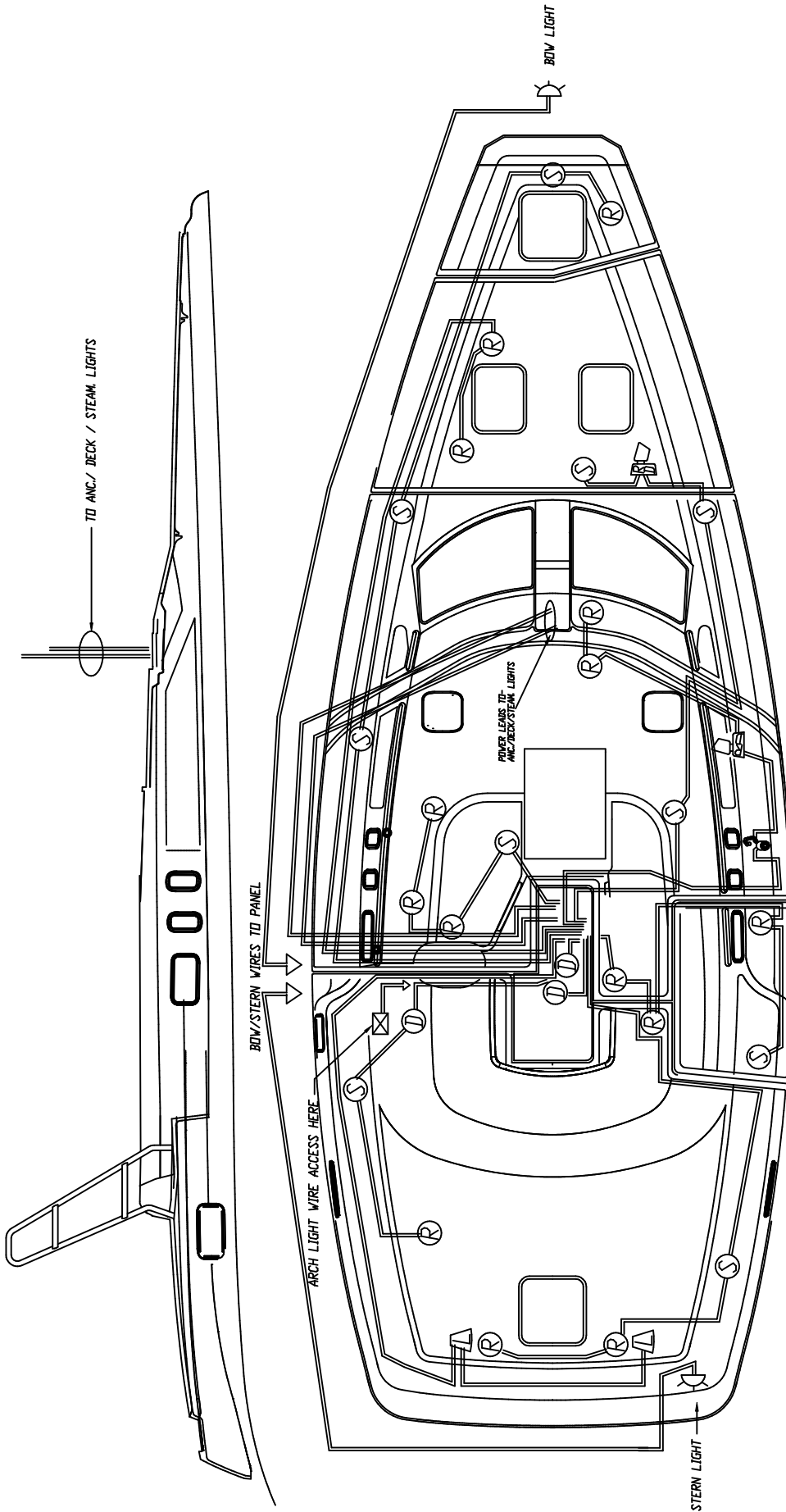
**LEGEND:**

- SUMP PUMPS.....
- BILGE PUMP .....
- FRESH WATER PUMP.....
- MACERATOR.....
- WINDLASS.....
- ENGINE ROOM BLOWER.....
- TANK LEVEL INDICATOR.....
- OPT. AUTOPILOT COURSE COMPUTER...
- OPT. AUTOPILOT DRIVE MOTOR.....
- START BATTERY .....
- HOUSE BATTERY.....

FOR MORE FILES  
This document contains information for which HUNTER MARINE CORP. has proprietary rights.

<b>P420 GROUNDING SYSTEM LAYOUT</b>	
FORMING NO. 4208064A-2	REVISION NO. NONE
ENGINEERING DEPT.	DATE 3/12/99





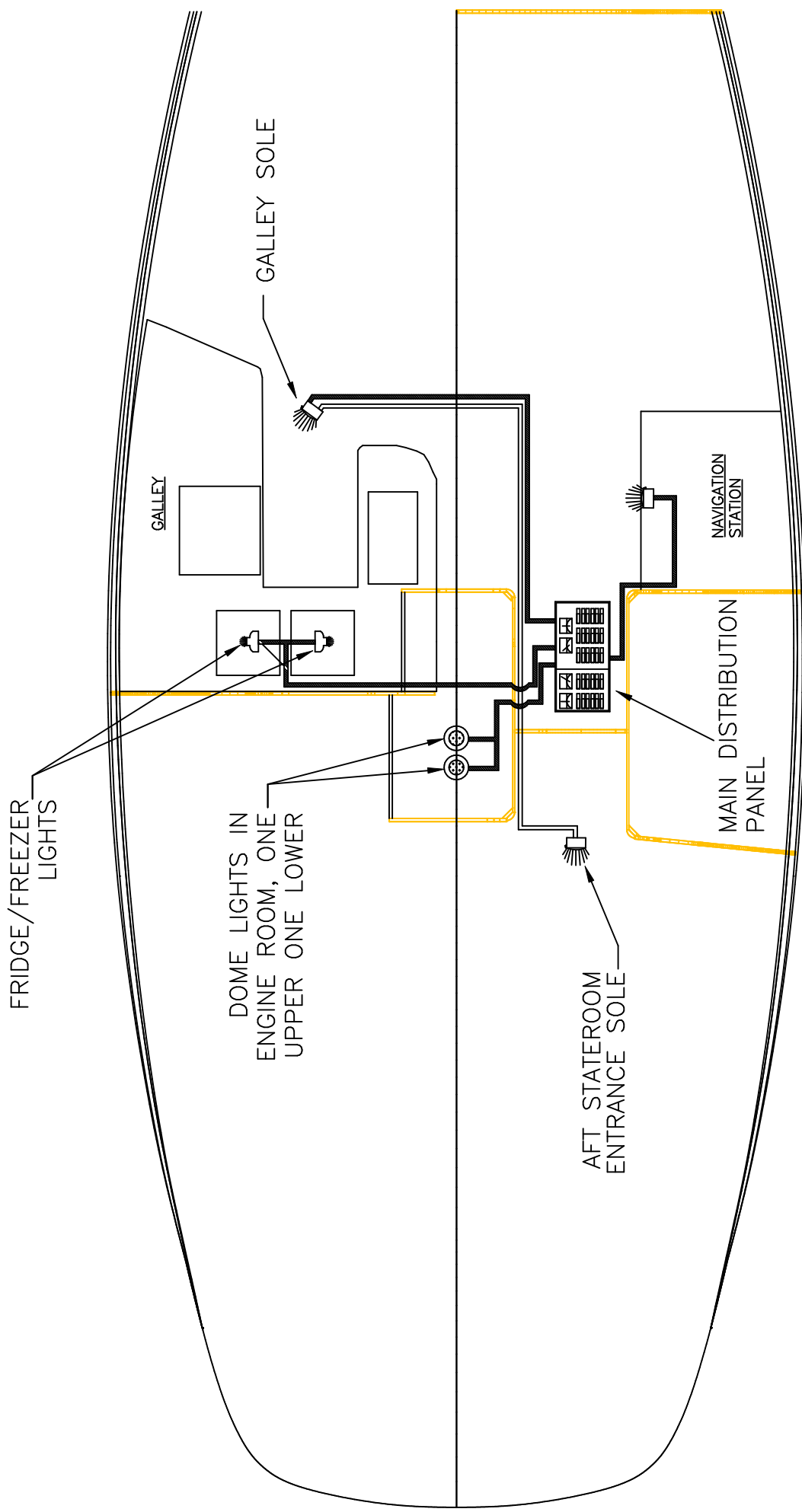
LEGEND

DOME LIGHT	3 REQ'D	①	READING	2 REQ'D	
SWIVEL (HALOGEN)	10 REQ'D	Ⓢ	LAMPS	2 REQ'D	
RECESSED	14 REQ'D	Ⓡ	CHART LAMP	1 REQ'D	
WIRE RUNS					

NOTE: LIGHT ARRANGEMENT IN AFT CABIN DIFFERENT FOR TRI CABIN VERSION  
 1. BOTH LAMPS TO PORT SIDE  
 2. ADDED RECESSED LIGHT TO ST. FWD SIDE  
 3. DOME LIGHT AT FOOT OF BERTH PORT SIDE

PROJECT FILE: **P420 12V.D.C. LIGHT WIRING (HEADLINER)**  
 DRAWING NO. 4208064B  
 REVISION NO. NONE  
 DATE 10/2/98  
 ENGINEERING DEPT.

**HUNTER**



KEY:	PART	PART #
	CTS LIGHTS (RED)	255752
	FRIDGE/FREEZER LIGHTS	255410
	ENGINE ROOM DOME LIGHTS	255500

SECTION 64H... WINDLASS SYSTEM

BASIC OPERATING INSTRUCTIONS:

LOWERING ANCHOR....

- ① START ENGINE IF NOT ALREADY RUNNING
- ② TURN ON WINDLASS BRKR. ON MAIN D.C. BRKR. PANEL. THIS CONTROLS THE UP/DOWN BUTTONS (ON FOREDECK) ONLY.
- ③ PUSH WINDLASS "DOWN" BUTTON ON FOREDECK AFT OF ANCHOR WELL.

NOTE: "BUMP" SWITCH UNTIL ANCHOR CLEARS ANCHOR ROLLER AND HULL BEFORE LETTING ANCHOR DOWN FREELY.

RAISING ANCHOR....


- ① START BOAT ENGINE, THIS WILL ALLOW CONTROL OF BOAT WHEN ANCHOR BECOMES FREE, AS WELL AS REDUCING LOAD ON BATTERY
- ② SAME AS STEP #1 OF LOWERING ANCHOR
- ③ SAME AS STEP #2 OF LOWERING ANCHOR
- ④ PUSH WINDLASS "UP" BUTTON (LOCATED-NEXT TO "DOWN BUTTON" BEING CAREFUL AS THE ANCHOR APPROACHES THE HULL AND ANCHOR ROLLER) UNTIL THE ANCHOR RESTS IN THE STEMHEAD PROPERLY.

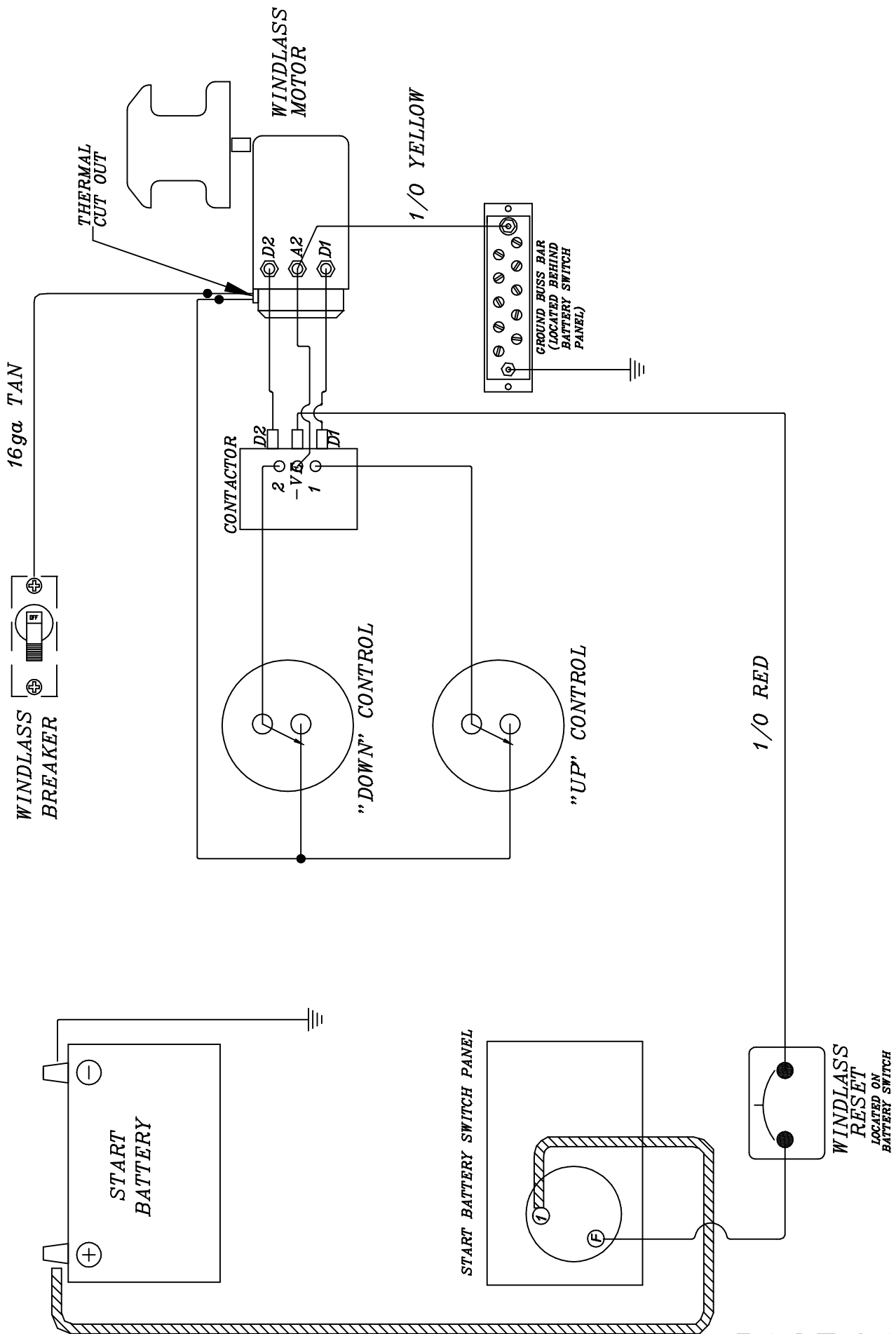
NOTE: IF IT APPEARS THERE IS NO POWER TO THE WINDLASS, CHECK RESET. IF WINDLASS BECOMES INOPERABLE ELECTRICALLY, A MANUAL WINCH HANDLE IS SUPPLIED, SEE THE "HORIZON WINDLASS MANUAL" SUPPLIED IN YOUR OWNERS MANUAL PACKAGE FOR INSTRUCTIONS.

PLEASE FILE  
**P420 WINDLASS OPERATING INST.**

<small>ISSUANCE NO.</small> 4208064D-1	<small>REVISION NO.</small> NONE
<small>ENGINEERING DEPT.</small>	<small>DATE</small> 3/15/99

This document describes information for which HUNTER MARINE CORP. has proprietary rights.





**WINDLASS WIRING**  
 This document describes information for which HUNTER MARINE CORP. has proprietary rights.

REVISED NO.	4208064D-2	REVISION NO.	NONE
DATE	3/15/99	ENGINEERING DEPT.	

**HUNTER**

UP/DOWN CONTROL  
SWITCH POWER LEAD  
(16ga. TAN)

WINDLASS/MOTOR

WIRE RUNS BETWEEN  
DECK AND HEADLINER

WINDLASS RELAY  
(FOR UP/DOWN CONTROLS)

TO MAIN  
DISTRIBUTION  
PANEL

WINDLASS

WINDLASS MOTOR POWER LEADS  
1/0 RED AND BLK  
(RUNS THRU PAN BEAM)

MAIN DISTRIBUTION  
PANEL

START BATTERY

WINDLASS RESET

START BATTERY  
ON/OFF SWITCH

TO THE RESET & START BATTERY  
SEE SCHEMATIC ON PREVIOUS PAGE

WINDLASS MOTOR

NOTE: THIS DRAWING PROVIDES BASIC  
WINDLASS COMPONENT LOCATIONS.  
SEE PREVIOUS PAGE FOR SCHEMATIC.

**P420 WINDLASS COMPONENT LAYOUT**

PROJECT NO.	4208064D-3	REVISION NO.	NONE
ENGINEERING DEPT.		DATE	3/15/99

This document describes information for which HUNTER MARINE CORP. has proprietary rights.





*SECTION 64I..ELEC. HALYARD WINCH SYSTEM (OPT. ON FURLING MODELS)*

---

*BASIC OPERATING INSTRUCTIONS:*

- ① *START ENGINE IF NOT ALREADY RUNNING*
- ② *HALYARD SWITCH ON DECK SHOULD NOW OPERATE WINCH*

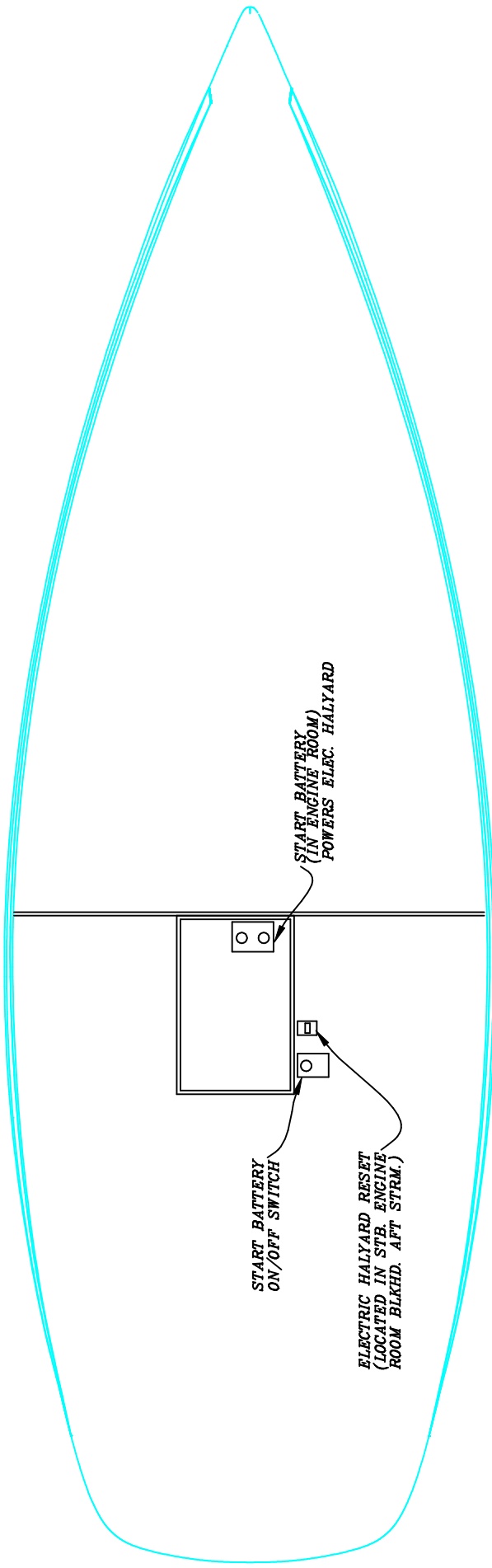
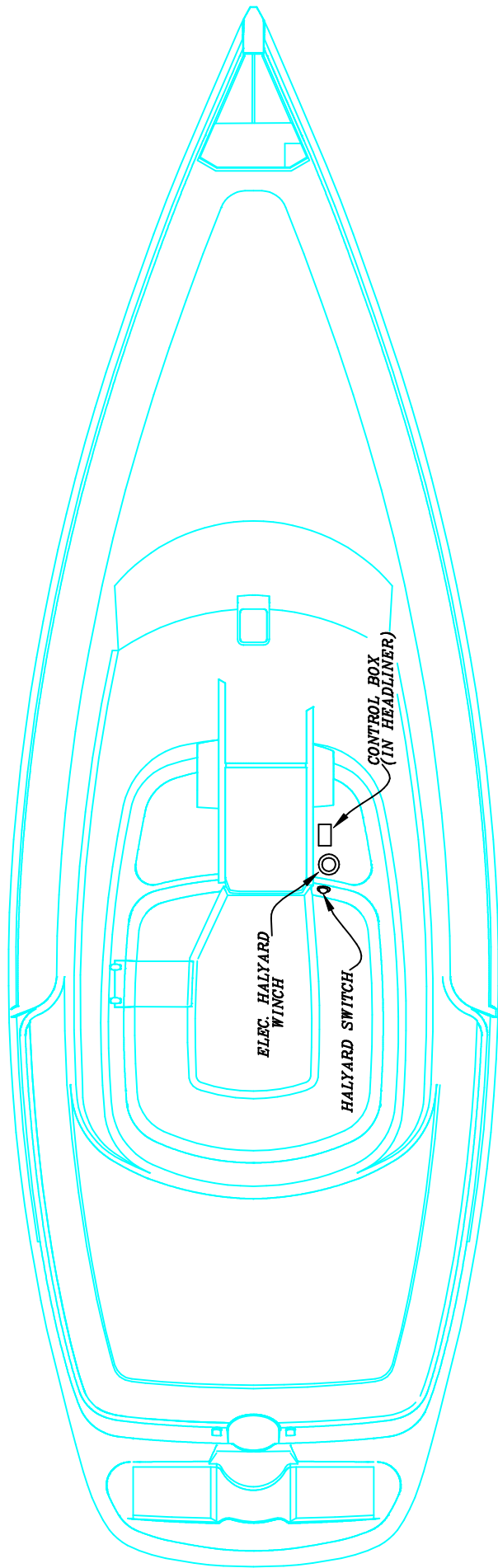
*NOTE:*

*SEE PG 63A-8 FOR RESET FUNCTION*

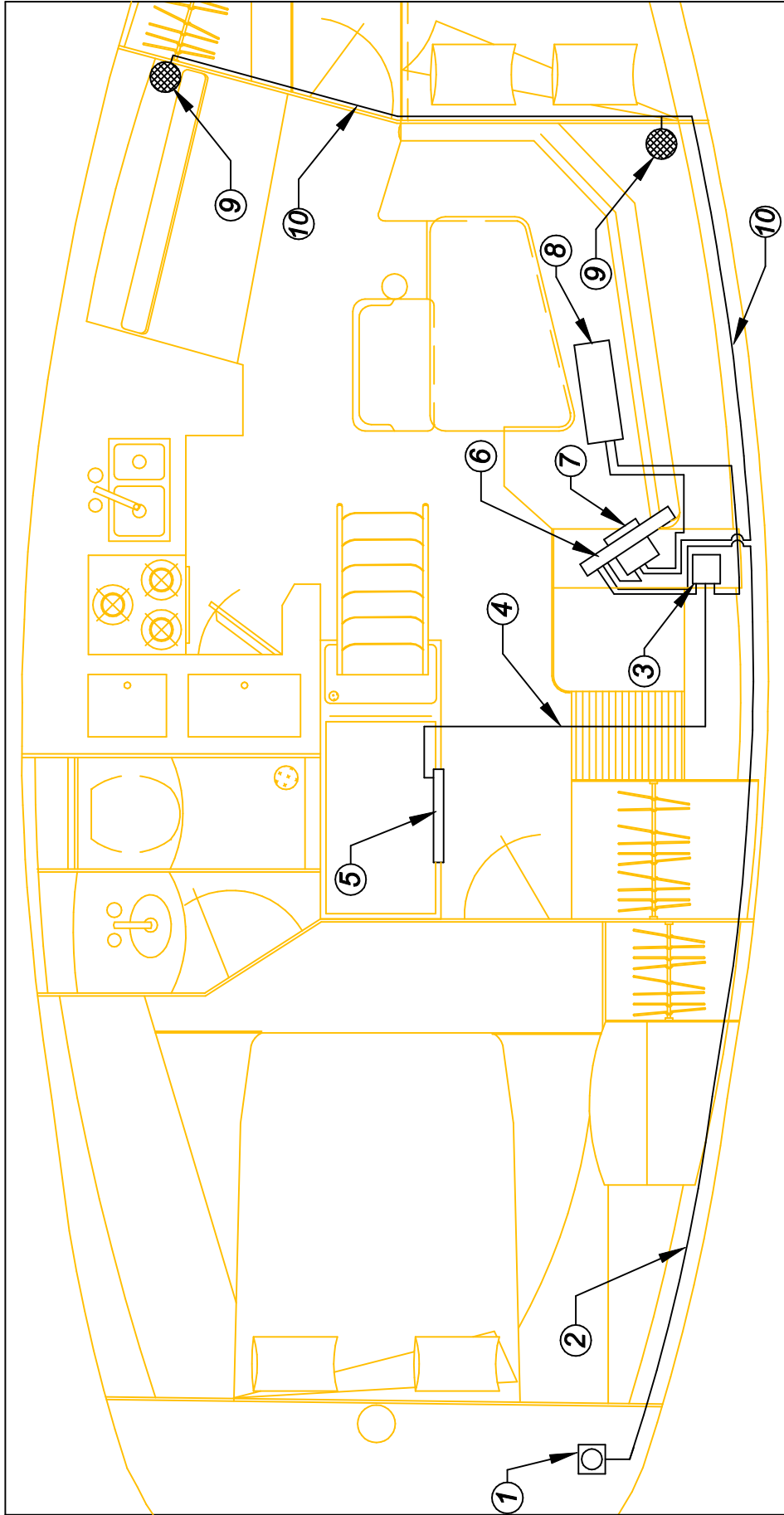


### P420 ELEC. HALYARD COMPONENTS LAYOUT

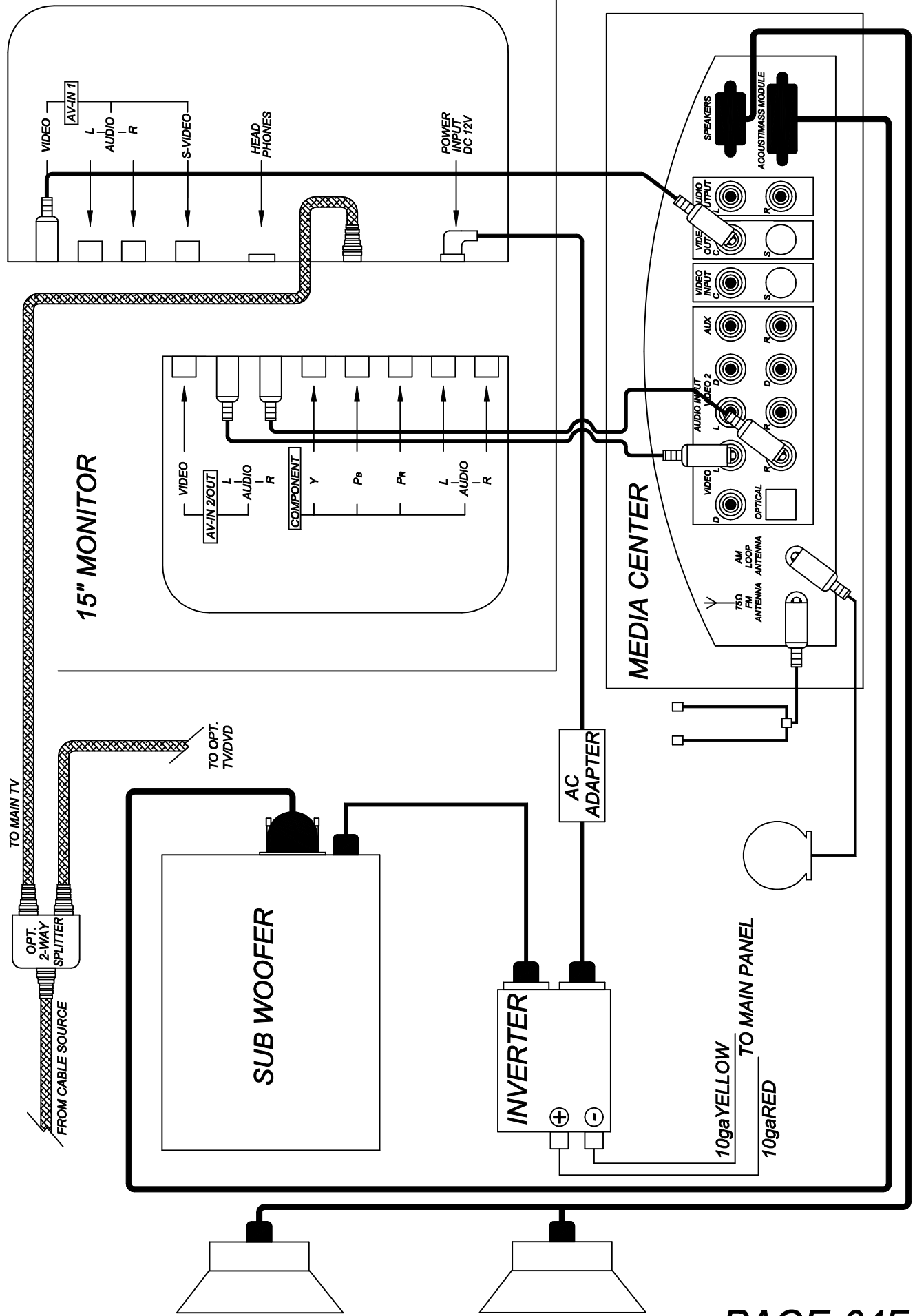
REVISED BY	4208064E-3	REVISION NO.	NONE
DATE		DATE	3/15/99
ENGINEERING DEPT.			

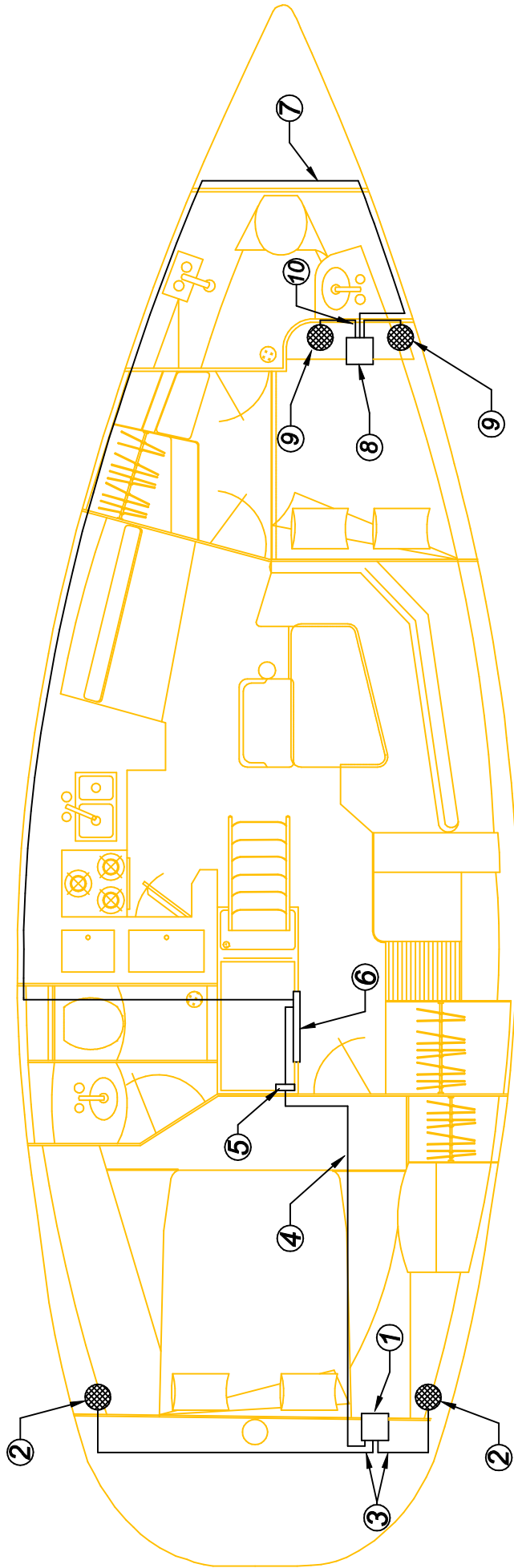


THIS DRAWING SHOWS THE COMPONENTS AND THEIR LOCATION OF THE ELECTRIC HALYARD SYSTEM. SEE PREVIOUS PAGE FOR SCHEMATIC & WIRING DETAILS. NOTE: ELECTRIC HALYARD IS OPTIONAL ON FURLING MAST MODELS.

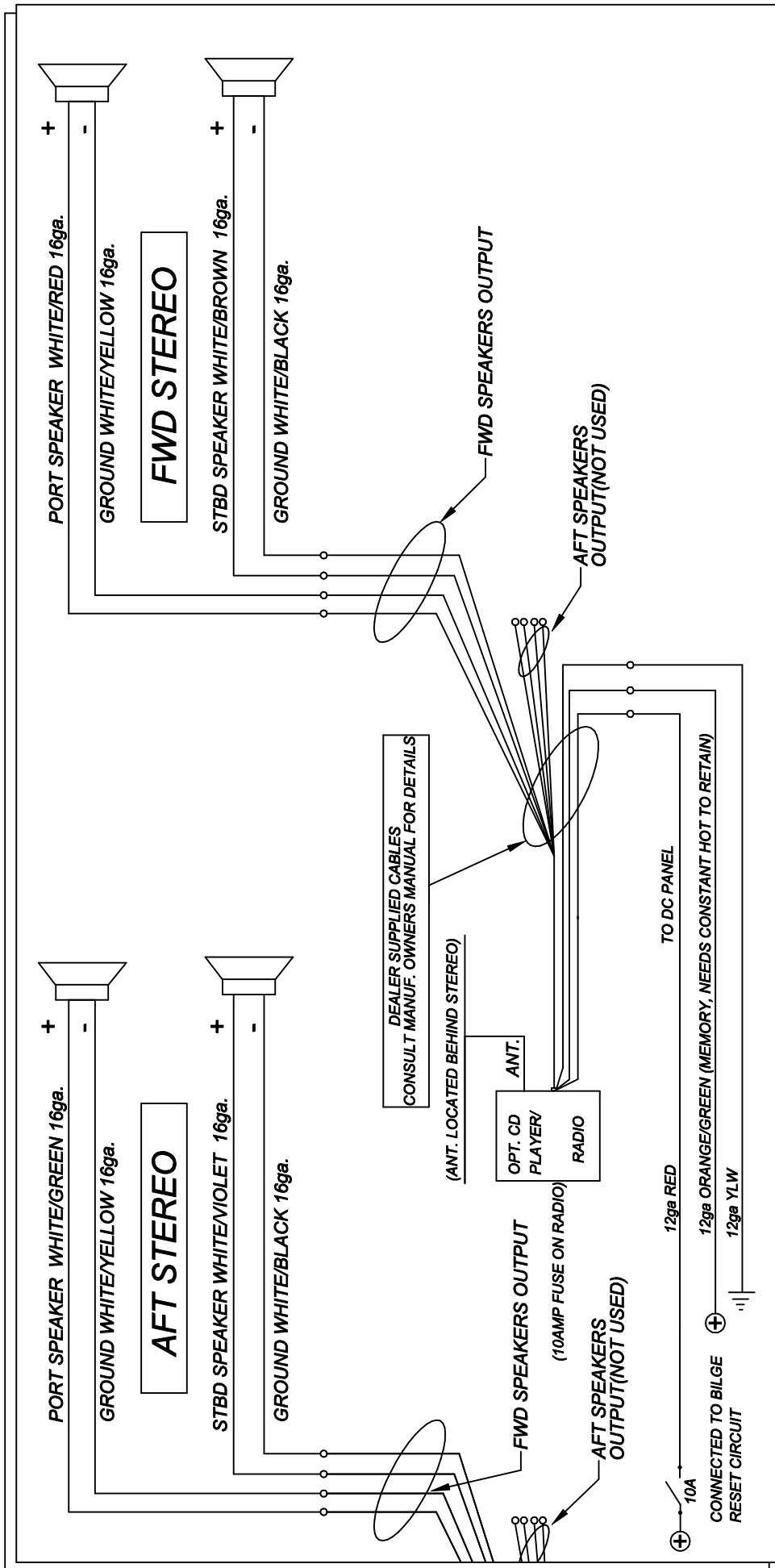


- ① CABLE/PHONE INLET
- ② CABLE LEAD
- ③ 400 WATT INVERTER
- ④ INVERTER POWER LEAD
- ⑤ AC/DC MAIN PANEL
- ⑥ 15" FLAT SCREEN MONITOR
- ⑦ BOSE 3-2-1
- ⑧ SUB-WOOFER
- ⑨ STEREO SPEAKERS
- ⑩ STEREO SPEAKER WIRE

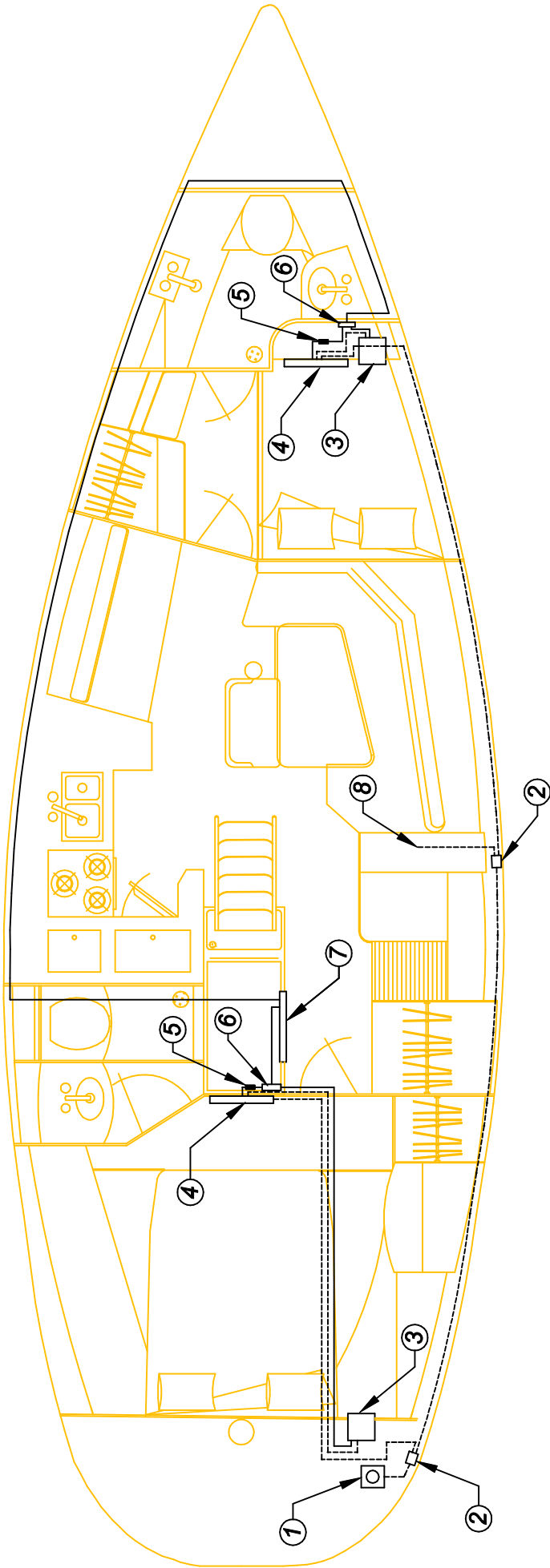




- |                           |                           |
|---------------------------|---------------------------|
| ① AFT STEREO CD PLAYER    | ⑥ AC/DC MAIN PANEL        |
| ② AFT STEREO SPEAKERS     | ⑦ FWD STEREO POWER LEAD   |
| ③ AFT STEREO SPEAKER WIRE | ⑧ FWD STEREO CD PLAYER    |
| ④ AFT STEREO POWER LEAD   | ⑨ FWD STEREO SPEAKERS     |
| ⑤ TERMINAL STRIP          | ⑩ FWD STEREO SPEAKER WIRE |



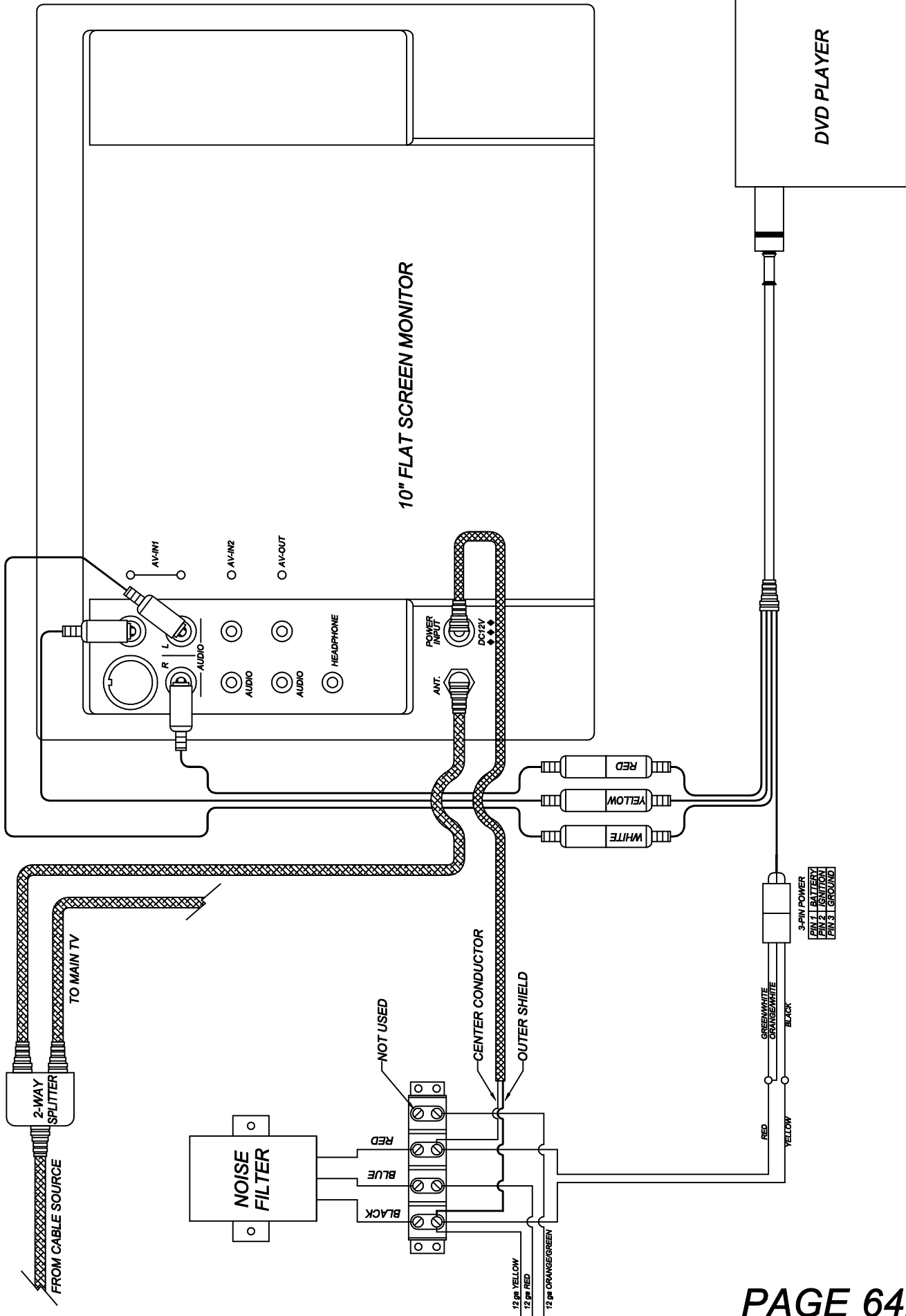
**NOTE:**  
THE FWD AND THE AFT STEREO ARE WIRED THE SAME. THE ONLY DIFFERENCE IS THE COLOR OF THE POSITIVE SPEAKER LEAD.



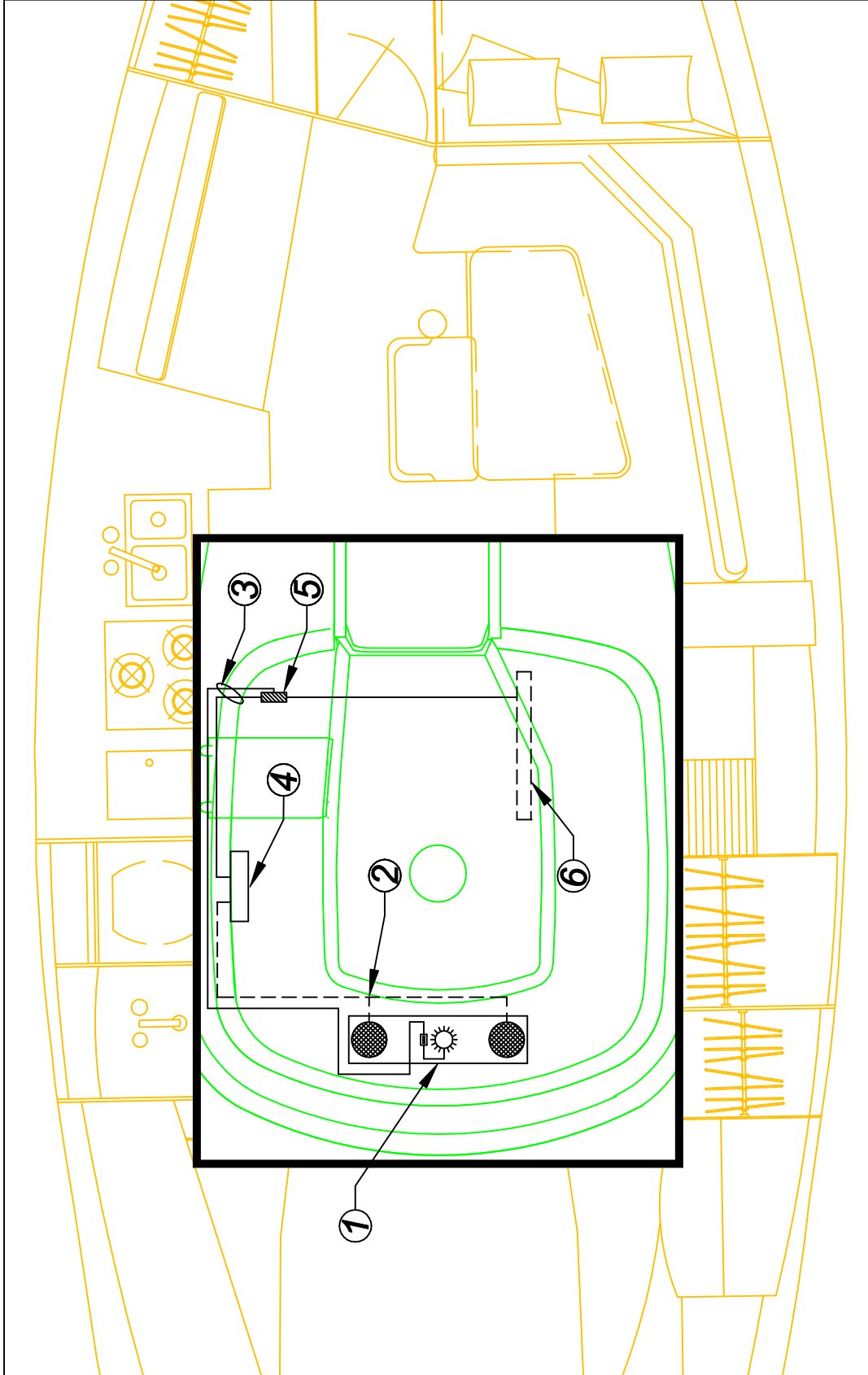
- |                           |                          |
|---------------------------|--------------------------|
| ① CABLE/PHONE INLET       | ⑤ NOISE REDUCTION FILTER |
| ② CABLE SPLITTER          | ⑥ TERMINAL STRIP         |
| ③ DVD PLAYER              | ⑦ AC/DC MAIN PANEL       |
| ④ 10" FLAT SCREEN MONITOR | ⑧ TO MAIN TV             |

----- CABLE LEADS  
 \_\_\_\_\_ POWER LEADS





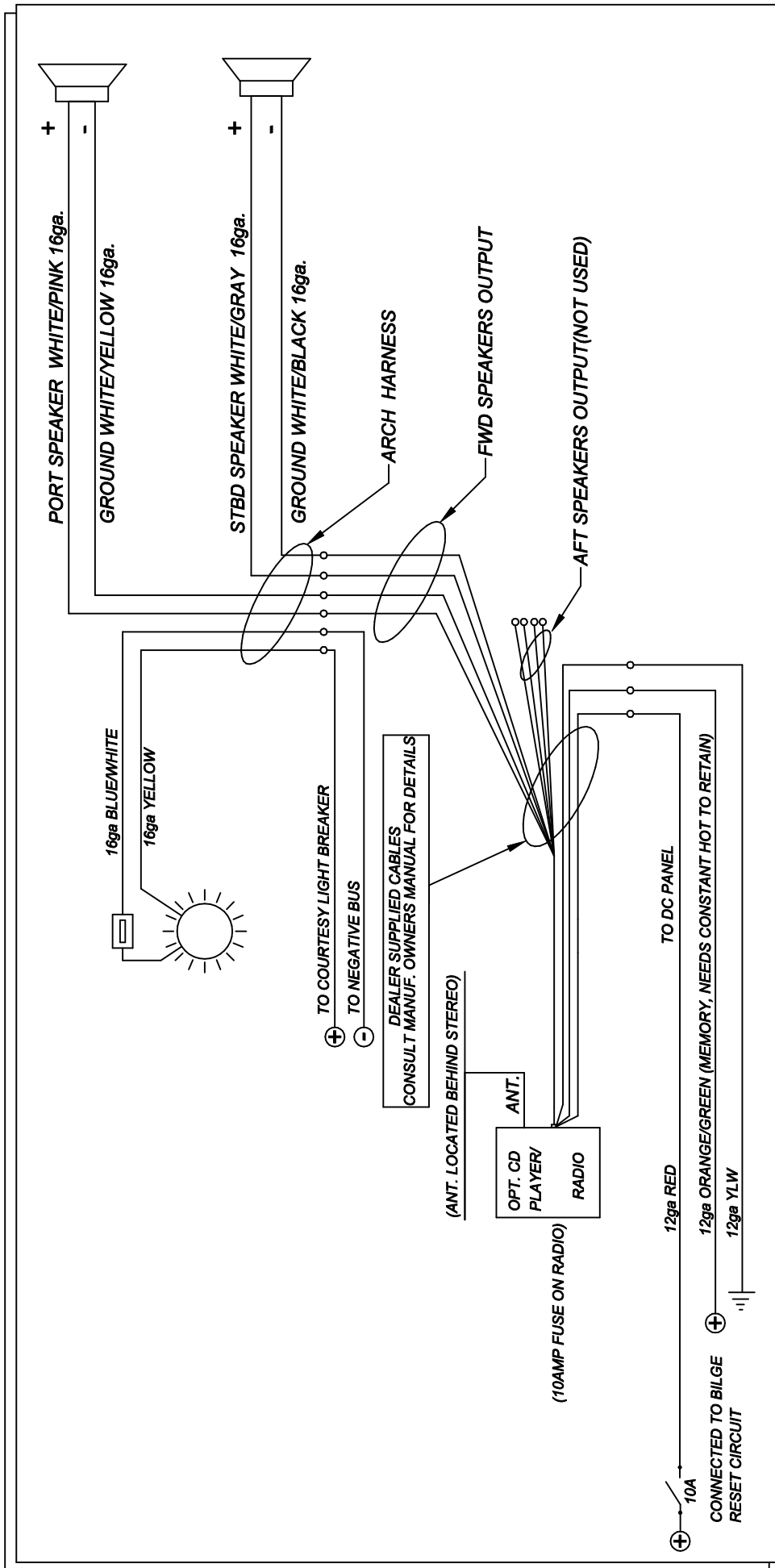
[This document contains information for which HUNTER HUNTER CORP. has proprietary rights.](#)  
**HUNTER**  
 OPTIONAL FWD/AFT TV/DVD SCHEMATIC  
 DRAWING NO. 4208064F-6  
 REVISION NO. None  
 DATE 09/04/02  
 DRAWN BY: ENG

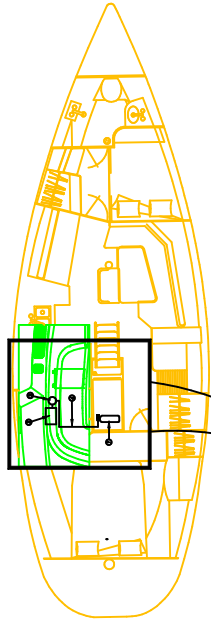
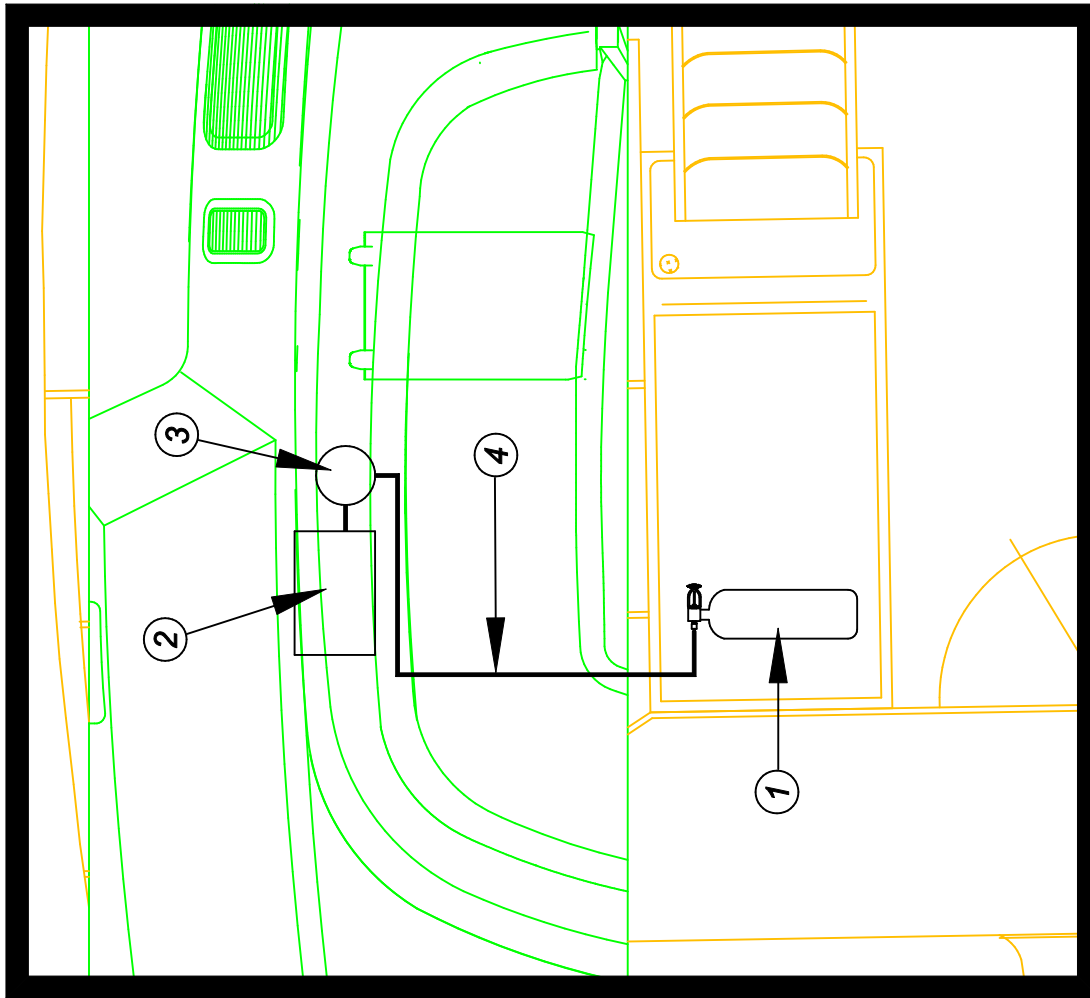


\_\_\_\_\_ POWER LEADS  
 - - - - - SPEAKER WIRE

- ① SPEAKER POD W/LIGHT (MOUNTED ON ARCH)
- ② SPEAKER WIRE RUN
- ③ POWER LEADS
- ④ STEREO CD PLAYER
- ⑤ TERMINAL STRIP
- ⑥ AC/DC MAIN PANEL







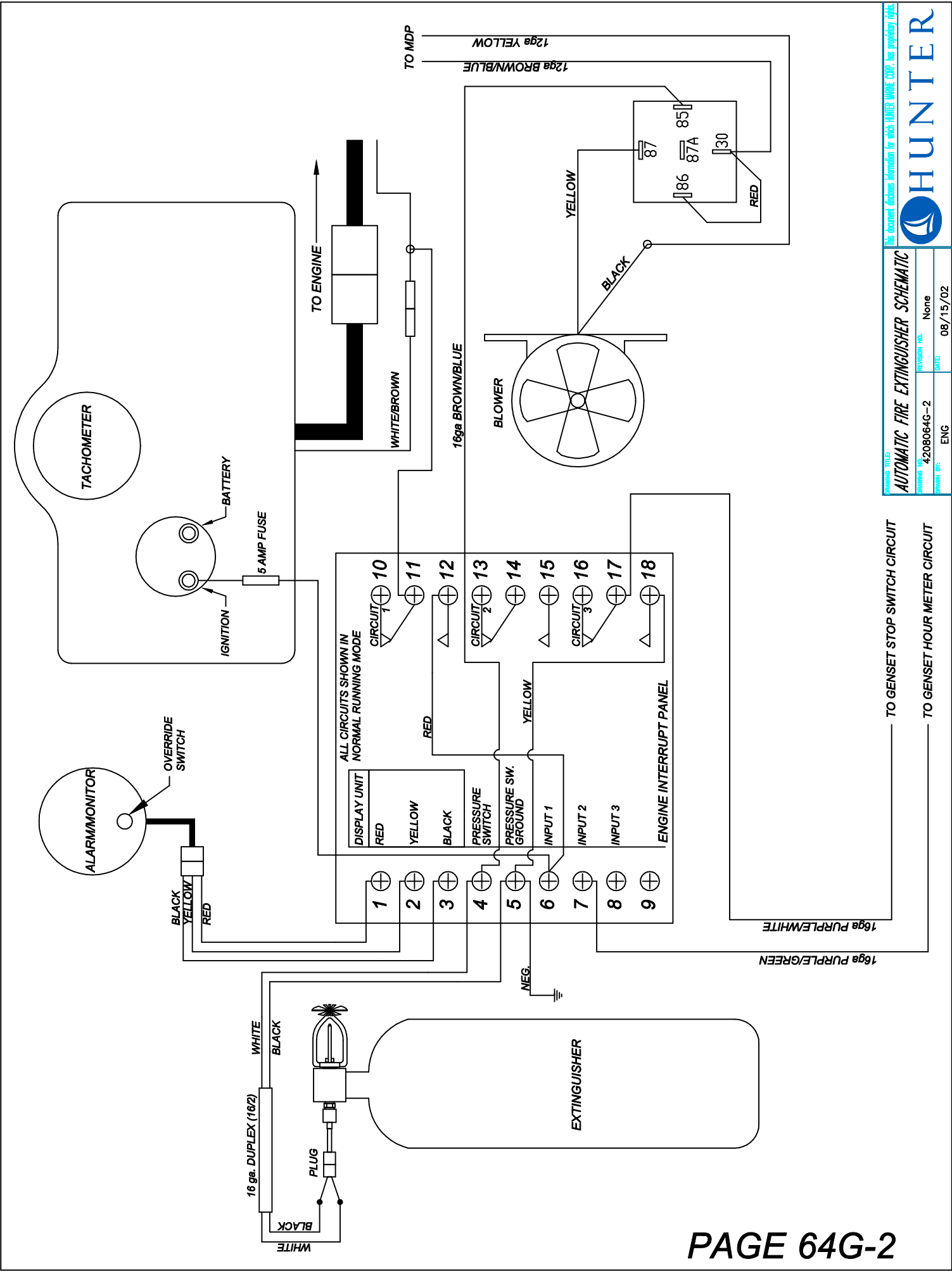
ENLARGEMENT OF BOXED AREA

- ① AUTOMATIC FIRE EXTINGUISHER  
(LOCATED IN ENGINE BOX)
- ② ENGINE PANAL (PORT COCKPIT COAMING)
- ③ DISPLAY (PORT COCKPIT COAMING)
- ④ WIRE RUNS UP THROUGH HEADLINER

For document access information for this HUNTER MARINE CORP. has proprietary rights.

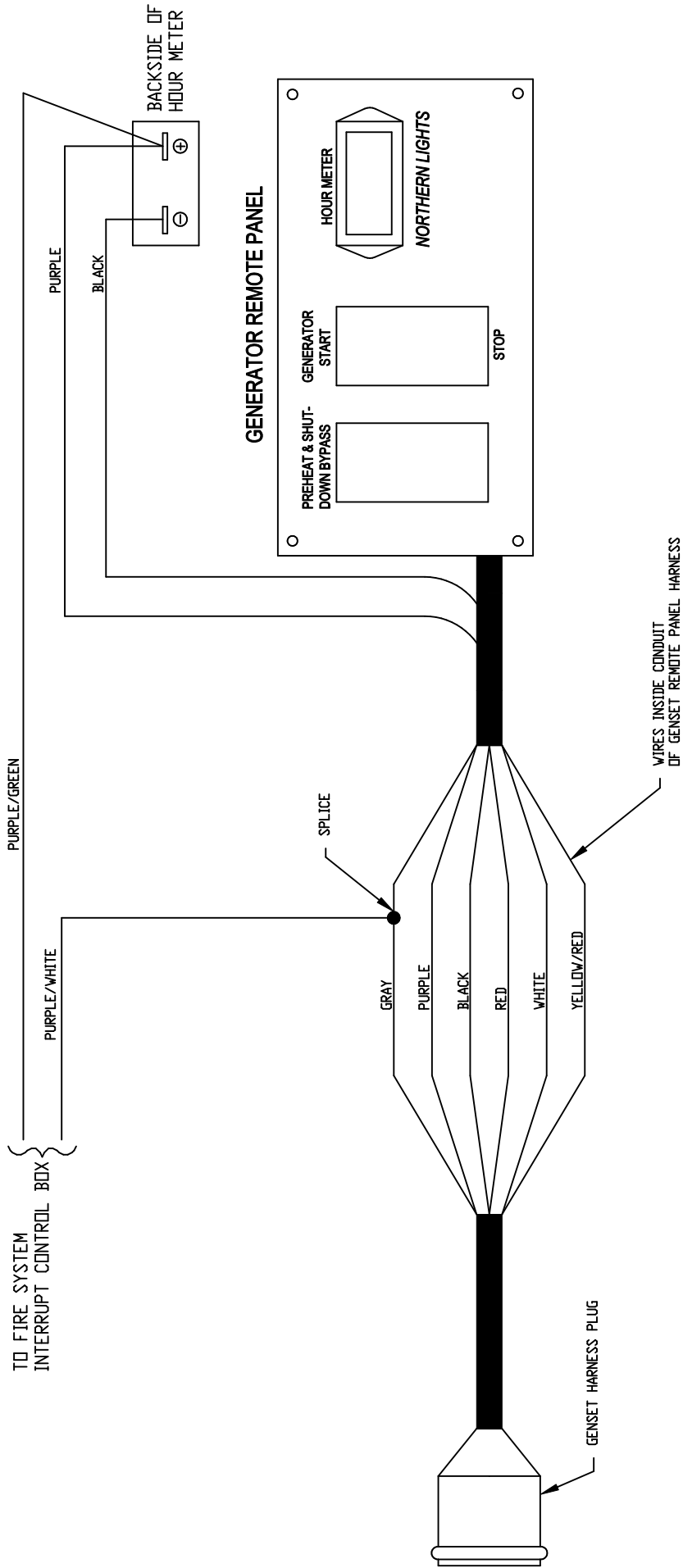


AUTOMATIC FIRE EXTINGUISHER LAYOUT	
REVISED NO.	None
4208064G-1	
DATE	08/15/02
ENG	



[View this document's product information for which HUNTER MARINE CORP. has proprietary rights.](#)  
**HUNTER**  
**AUTOMATIC FIRE EXTINGUISHER SCHEMATIC**  
 DRAWING NO. 4208064G-2  
 REVISED BY: None  
 DATE: 08/15/02  
 DRAWN BY: ENG

\_\_\_\_\_ TO GENSET STOP SWITCH CIRCUIT  
 \_\_\_\_\_ TO GENSET HOUR METER CIRCUIT



[This document contains information for which HUNTER MARINE CORP. has proprietary rights.](#)  
**GENSET SHUTDOWN SCHEMATIC**  
 DRAWING NO. 4208064G-3      REVISION NO. None      DATE 08/15/02  
 DRAWN BY: ENG      DATE:



SECTION 64H...REFRIGERATION SYSTEM

BASIC OPERATING INSTRUCTIONS:

- ① TURN ON MAIN D.C. BREAKER ON HOUSE BATTERY PANEL
- ② TURN ON REFRIG. BREAKER
- ③ SET THERMOSTATS TO DESIRED TEMP.

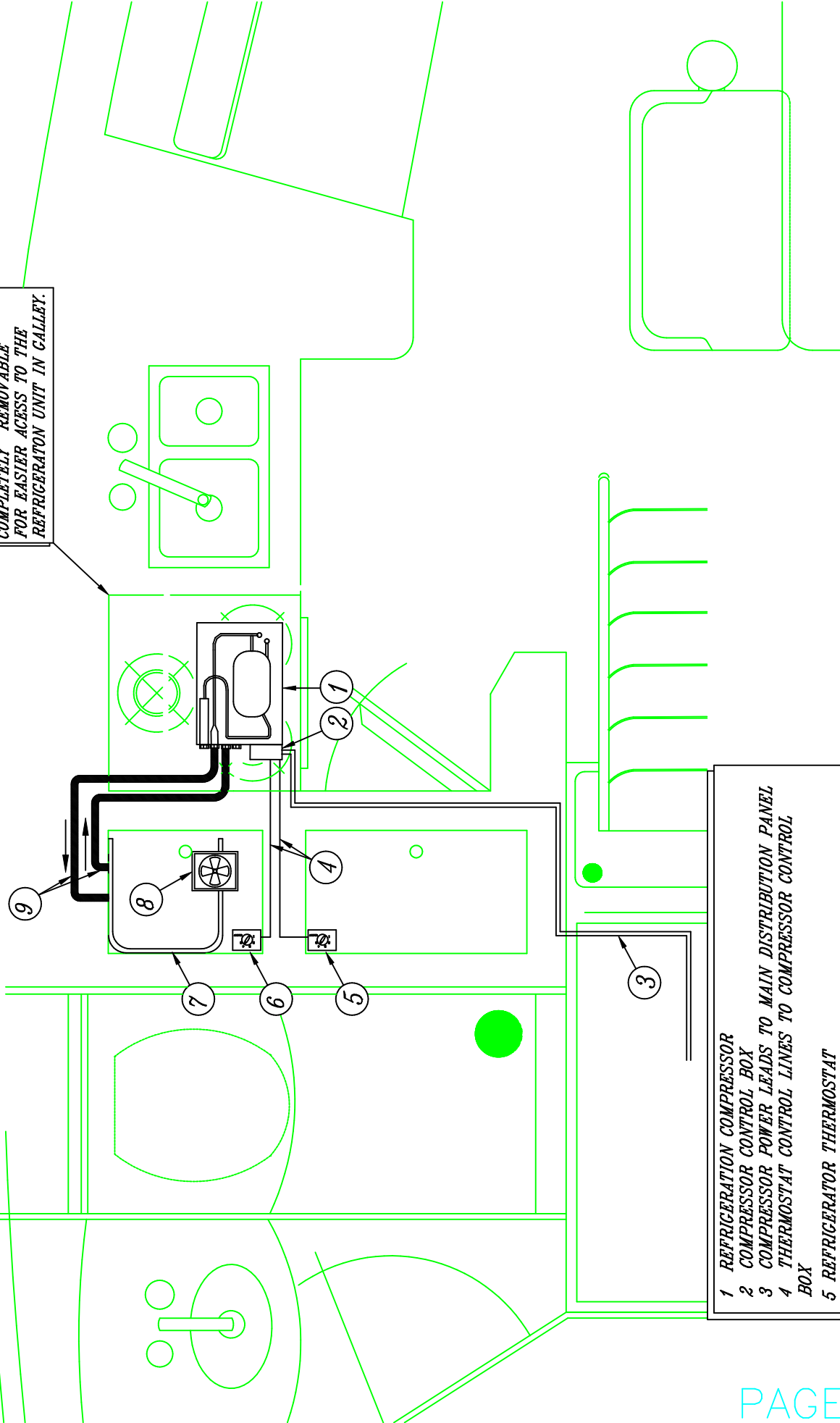
NOTE: IF LEAVING UNIT ON WHEN AWAY FROM BOAT  
BE SURE SHORE POWER CABLES ARE CONNECTED AND  
CHARGER IS ON.

PROPERTY TITLE  
**P420 REFRIGERATION OPER. INSTRUCTIONS**

<small>ISSUANCE NO.</small> 4208064H-1	<small>REVISION NO.</small> NONE
<small>ISSUANCE DATE</small> ENGINEERING DEPT.	<small>DATE</small> 3/15/99



**NOTE:**  
 AREA UNDER THE STOVE IS  
 COMPLETELY REMOVABLE  
 FOR EASIER ACCESS TO THE  
 REFRIGERATION UNIT IN GALLEY.

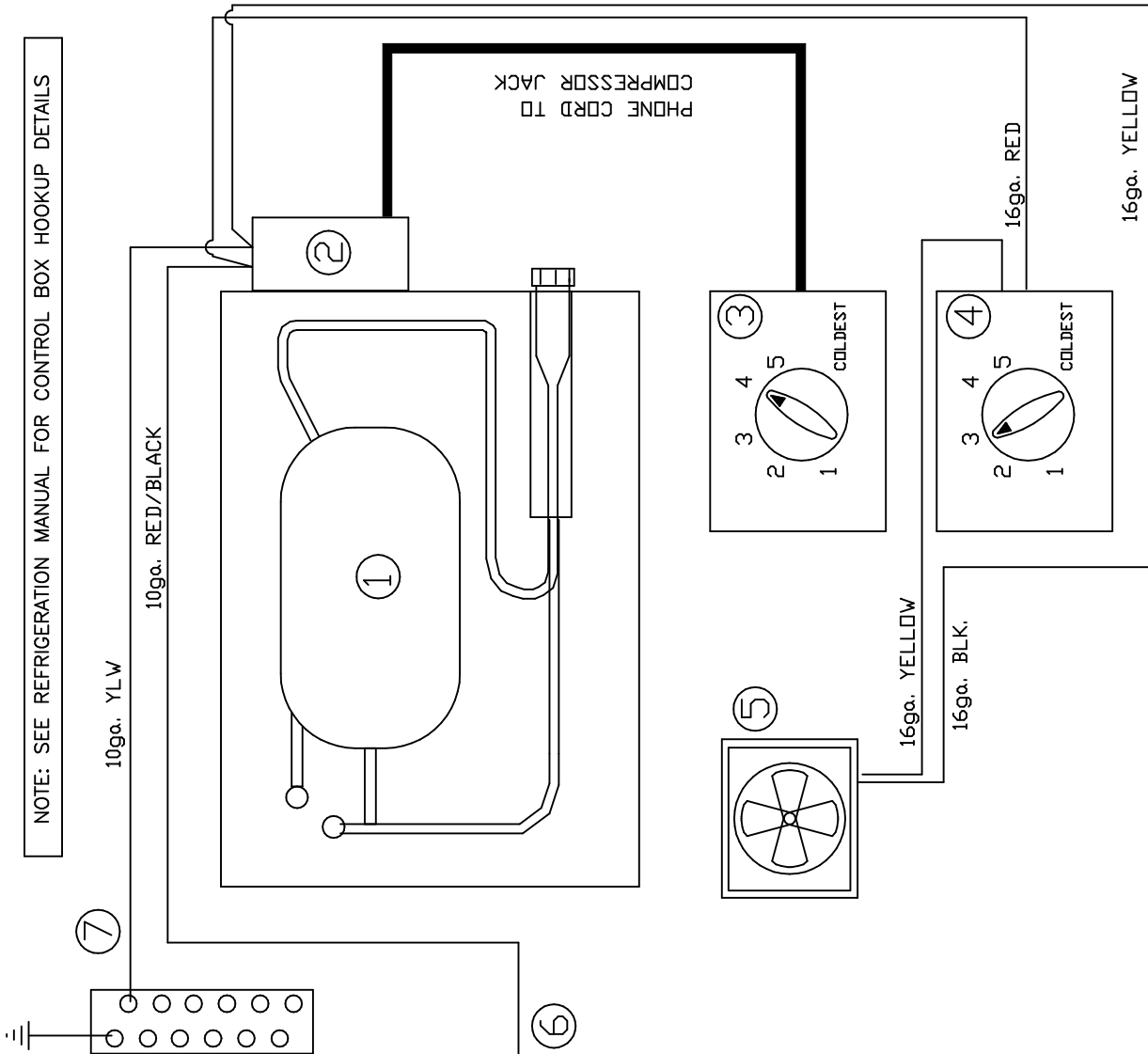


- 1 REFRIGERATION COMPRESSOR
- 2 COMPRESSOR CONTROL BOX
- 3 COMPRESSOR POWER LEADS TO MAIN DISTRIBUTION PANEL
- 4 THERMOSTAT CONTROL LINES TO COMPRESSOR CONTROL BOX
- 5 REFRIGERATOR THERMOSTAT
- 6 FREEZER THERMOSTAT
- 7 COLD PLATE
- 8 SPILL OVER FAN
- 9 HI (TO) / LOW (FROM) PRESSURE LINES TO COLD PLATE

**NOTE: SEE FOLLOWING PAGE  
 FOR WIRING SCHEMATIC**







NOTE: SEE REFRIGERATION MANUAL FOR CONTROL BOX HOOKUP DETAILS

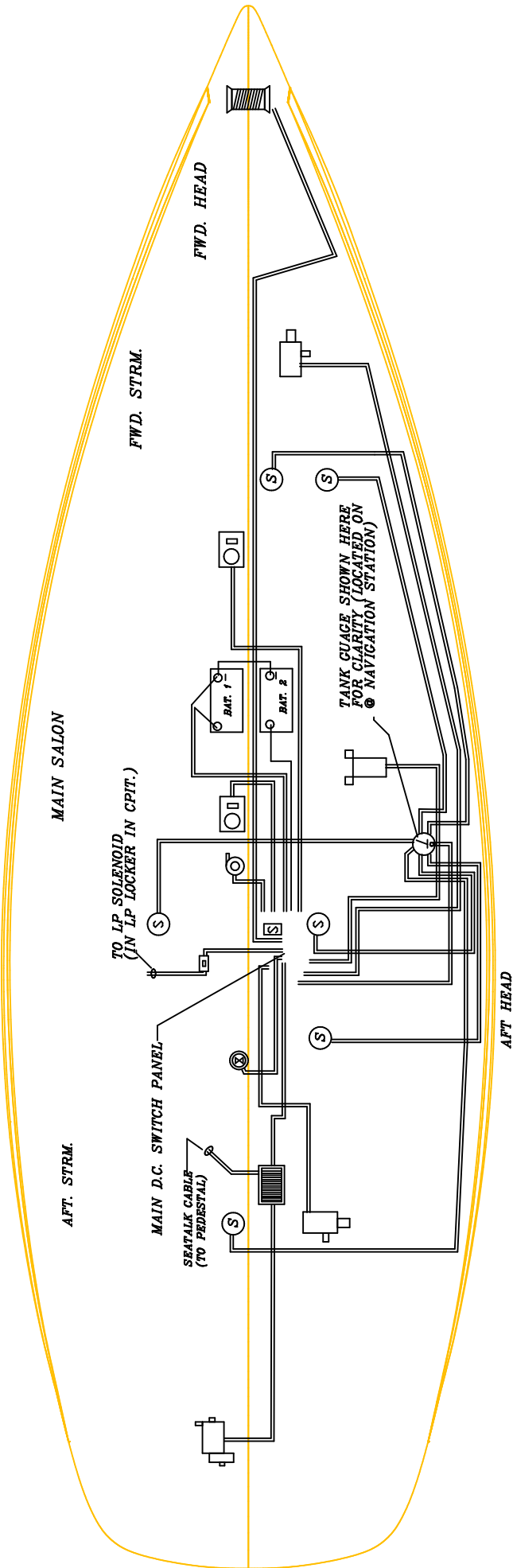
- ① REFRIG. COMPRESSOR
- ② REF. UNIT CTRL. BOX
- ③ FREEZER THERMOSTAT
- ④ FRIDGE THERMOSTAT
- ⑤ SPILL OVER FAN
- ⑥ 12V. + FROM LOAD SIDE OF BRKR. TO REF. UNIT
- ⑦ GND. FROM REF. UNIT TO GRD. BUSS BAR BEHIND BRKR. PANEL

This document contains information for which HUNTER HUNNE CORP. has proprietary rights.

**P420 REFRIGERATION SCHEMATIC**

FORMING NO.	4208064H-3	REVISION NO.	NONE
ENGINEERING DEPT.		DATE	3/15/99

HUNTER

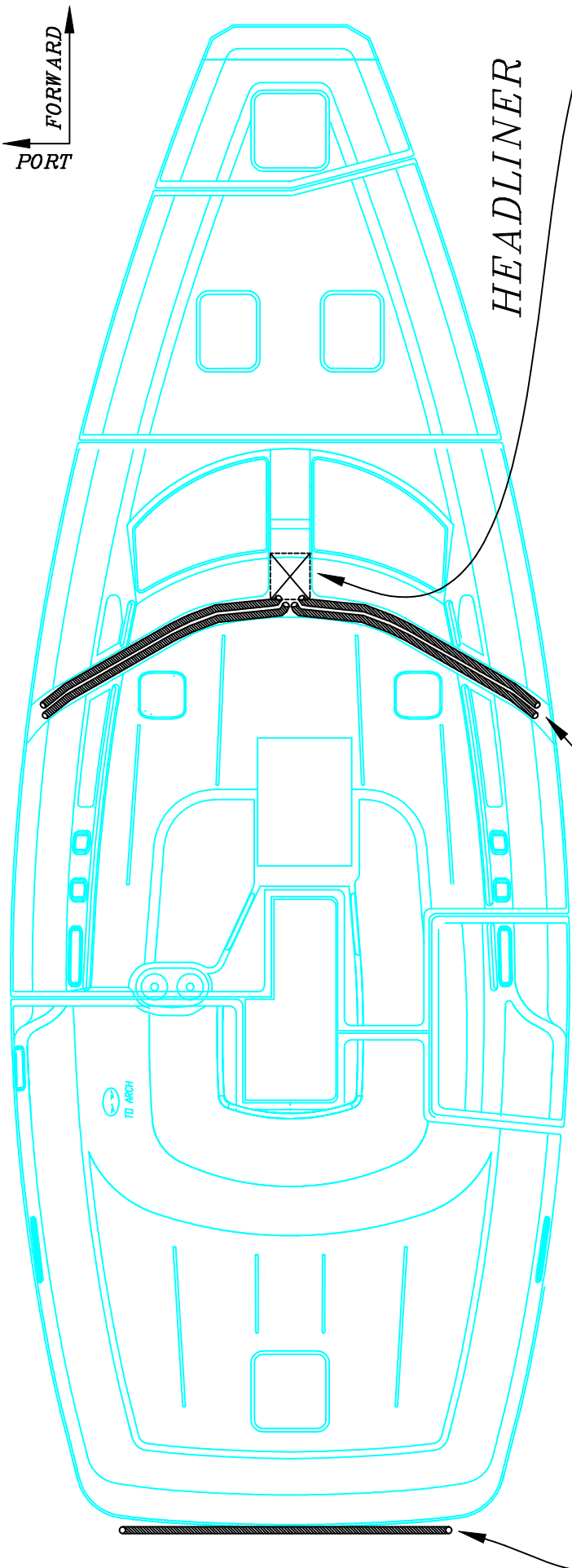


**LEGEND**

WIRE RUNS \_\_\_\_\_  
 TANK GAUGES \_\_\_\_\_ (L)  
 TANK SENDING UNITS \_\_\_\_\_ (S)  
 LPG ON/OFF SWITCH \_\_\_\_\_ (□)  
 ENGINE R.M. BLOWER \_\_\_\_\_ (⊗)  
 WINDLASS \_\_\_\_\_ (⊘)  
 AUTOPILOT SYSTEM (OPTIONAL)  
 AUTOPILOT MOTOR \_\_\_\_\_  
 COURSE COMPUTER \_\_\_\_\_  
 (SEE AUTOPILOT MANUAL FOR DETAILS)

BILGE PUMP \_\_\_\_\_ (⊘)  
 SUMP PUMPS \_\_\_\_\_ (□)  
 WATER PUMP \_\_\_\_\_ (⊕)  
 MACERATORS \_\_\_\_\_ (□)  
 HOUSE BATTERIES \_\_\_\_\_ (BAT. 1 ( 2 ))  
 START BATTERY \_\_\_\_\_ (S)

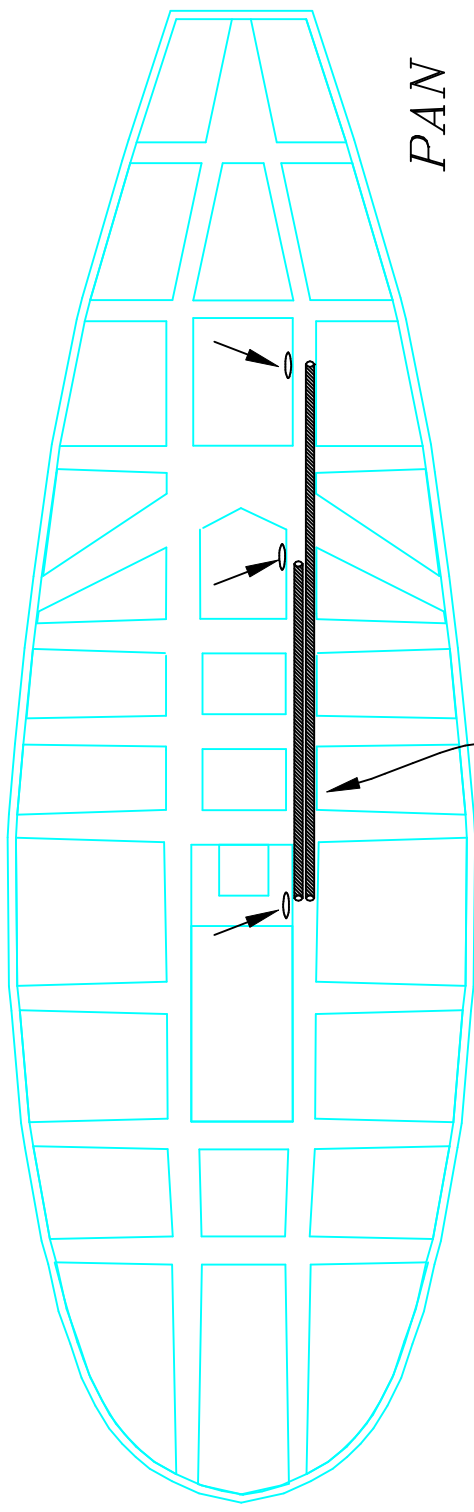
FORWARD  
PORT



HEADLINER

CHASE TUBING INSIDE MAIN CABIN BEAM  
ACCESSIBLE AT CHAIN PLATE COVERS PORT &  
STBD. AND ABOVE COMPRESSION POST

CHASE TUBING AFT OF AFT STRM. BULK.  
ACCESSIBLE THRU PT. & STBD. SWIM SEAT LOCKERS



PAN

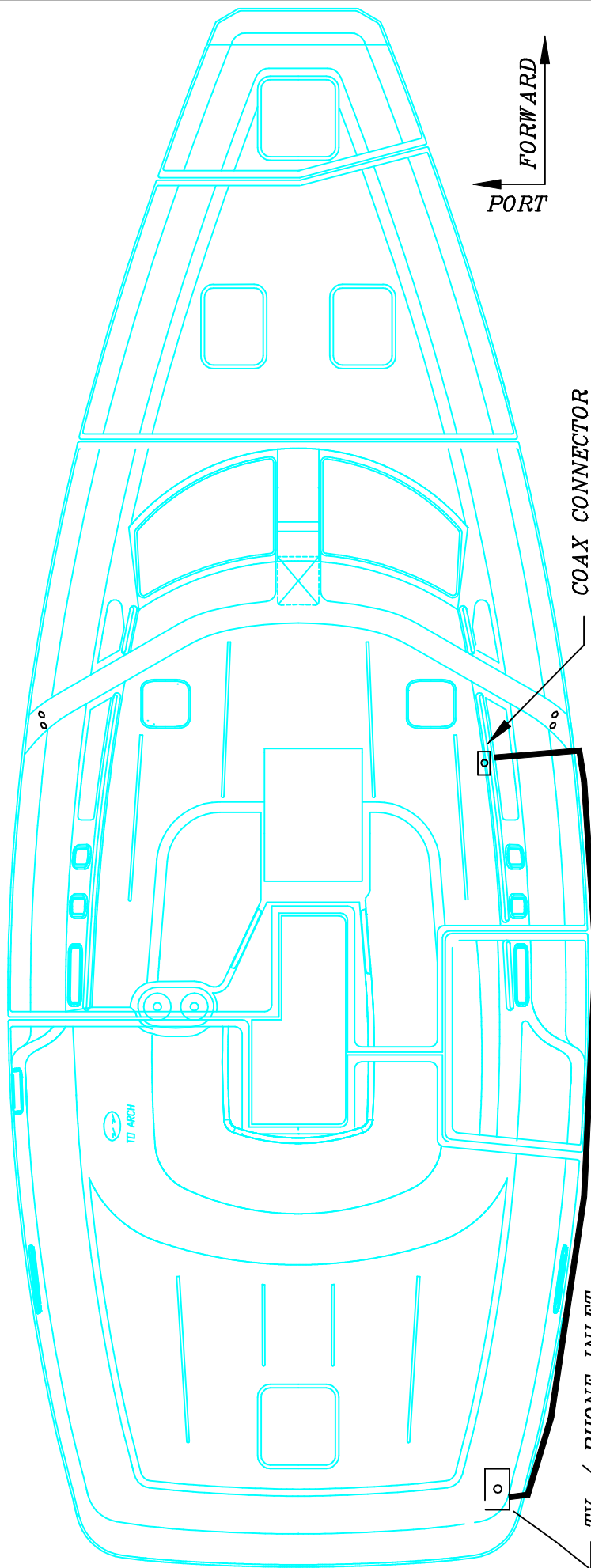
CHASE TUBING MAIN PAN BEAM STBD. SIDE  
ACCESSIBLE THRU STBD. LOWER ENGINE ROOM & BELOW FWD. BILGE COVERS

This document describes information for which HUNTER MARINE CORP. has proprietary rights.

**P420 WIRE CHASE LOCATIONS**

REVISED NO.	42080641-2	REVISION NO.	NONE
DATE	3/15/99	ENGINEERING DEPT.	





FORWARD  
PORT

COAX CONNECTOR  
(CONNECTS TO TV)

TV COAX CABLE  
(RUNS THROUGH HEADLINER)

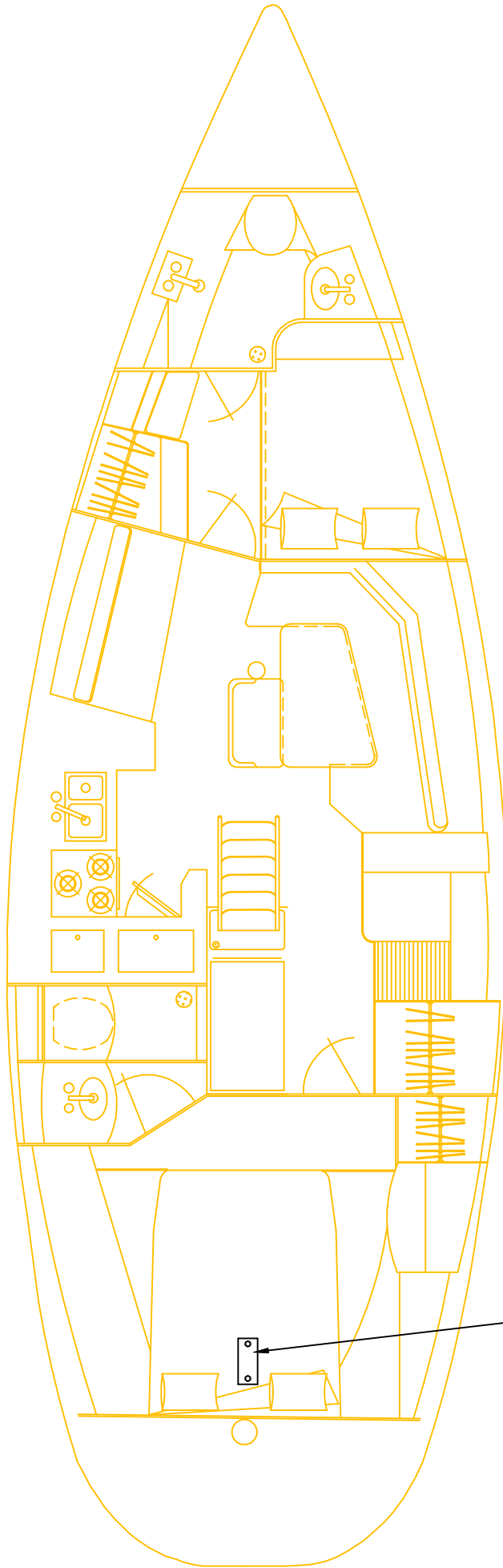
TV / PHONE INLET  
NOTE: PHONE WIRE IS NOT SUPPLIED

This document describes information for which HUNTER MARINE CORP. has proprietary rights.

**P420 I.V. COAX CABLE LAYOUT**

DESIGN NO.	4208084J	REVISION NO.	NONE
DATE	9/30/98	ENGINEERING DEPT.	





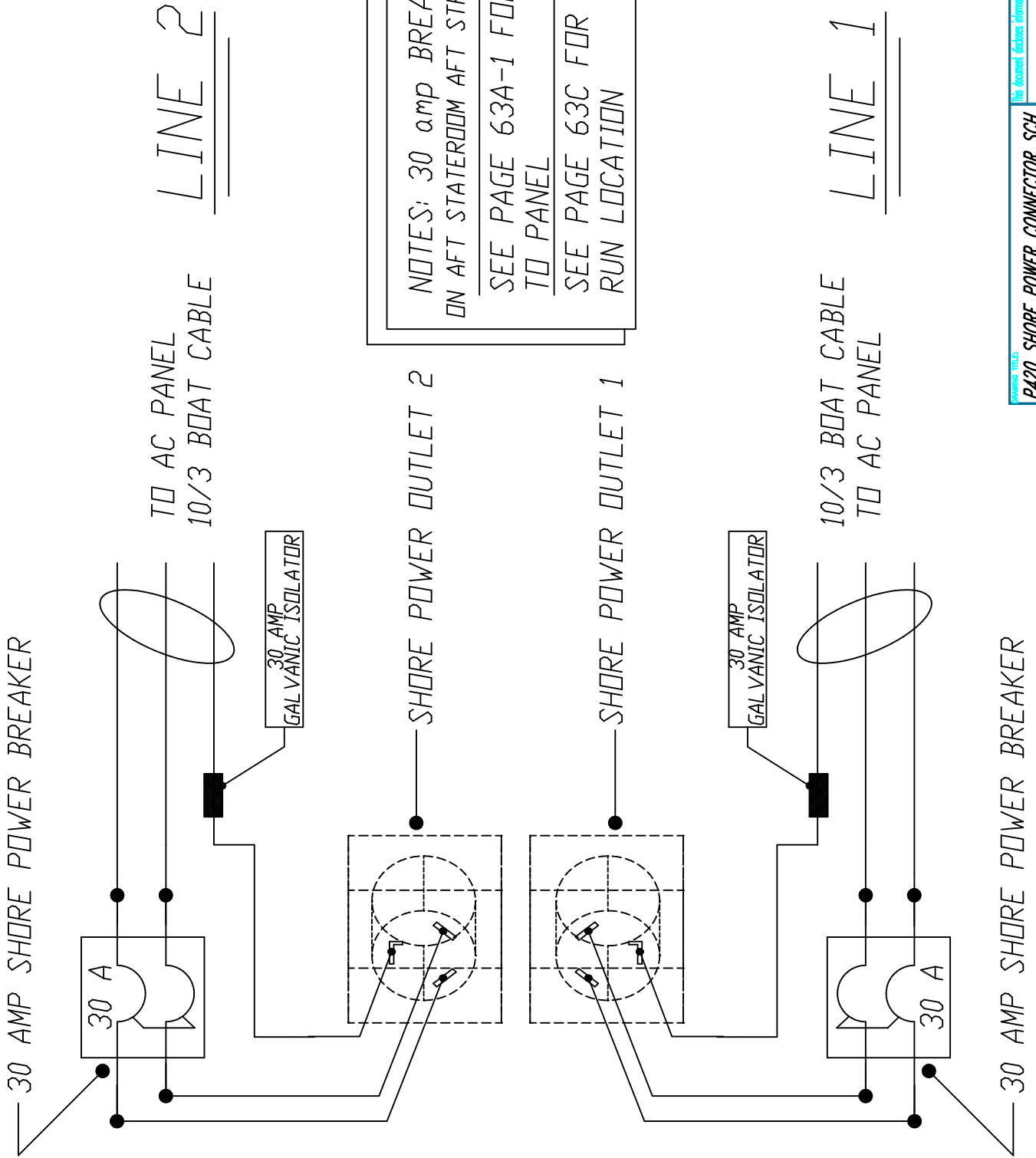
DYNAPLATE  
GROUNDING PLATE  
INSTALLED  
BETWEEN STRUT  
AND RUDDER



DRAWING TITLE: **OPTIONAL DYNAPLATE GROUND LAYOUT**  
 This document contains information for which HUNTER MARINE CORP. has proprietary rights.

DRAWING NO.	REVISION NO.	DATE
4208064K	None	08/15/02
DRAWN BY:	ENG	





NOTES: 30 amp BREAKERS ARE  
ON AFT STATEROOM AFT STRB. SIDE WALL

SEE PAGE 63A-1 FOR HOOKUP  
TO PANEL

SEE PAGE 63C FOR WIRE  
RUN LOCATION

POWER FILE  
**P420 SHORE POWER CONNECTOR SCH.**  
DESIGN NO. 4208065A    REVISION NO. NONE    DATE 9/30/98  
ENGINEERING DEPT.

**HUNTERA**

This document contains information for which HUNTER MARINE CORP. has proprietary rights.

## H420 ELECTRICAL AMPERAGE DATA

<b>12V.D.C. SYSTEM</b>	
<b>CIRCUIT/BREAKER</b>	<b>AMPERAGE</b>
D.C. MAIN	50amp
PANEL LIGHTS	5amp
CABIN LIGHTS 1	20amp
CABIN LIGHTS 2	20amp
COURTESY 1	10amp
COURTESY 2	10amp
TANK INDICATOR	5amp
WATER PRESSURE	10amp
FWD.SHOWER SUMP	10amp
AFTSHOWER SUMP	10amp
MACERATOR 1	20amp
MACERATOR 2	20amp
STEREO	15amp
STEREO W/AMPLIFIER	20amp
REFRIGERATION	15amp
L.P. GAS	5amp
WINDLASS (SWITCH)	5amp
INSTRUMENTS	5amp
G.P.S.	5amp
V.H.F.	10amp
AUTO-PILOT	VARIES PER MODEL
ANCHOR LIGHT	5amp
STEAMING LIGHT	5amp
DECK LIGHT	15amp
RUNNING LIGHTS	10amp (LGR. MOD.)
RUNNING LIGHTS	5amp (SM. MOD.)
COMPASS (TIES TO RUN. LIGHTS)	
BATTERY CABLES	
ENGINE STARTER CABLE	
HALYARD WINCH	
WINDLASS (MOTOR) CABLE	

<b>110V.A.C. SYSTEM</b>	
SHORE POWER A.C. MAIN/S	30 amp
OUTLETS	15amp
MICROWAVE OVEN	15amp
WATER HEATER	20amp
BATTERY CHARGER	15amp
INVERTER	INTERNAL
AIR CONDITIONING	25amp

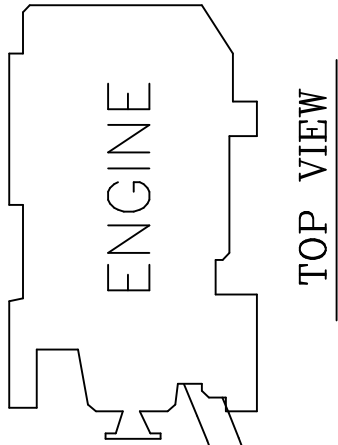
<b>220V.A.C. SYSTEM (ON SELECT OVERSEAS MODELS ONLY)</b>	
SHORE POWER A.C. MAIN/S	15 amp
OUTLETS	10amp
MICROWAVE OVEN	10amp
WATER HEATER	10amp
BATTERY CHARGER	10amp
INVERTER	N/A
AIR CONDITIONING	15amp

### H420 ELECTRICAL WIRING/CABLE DATA

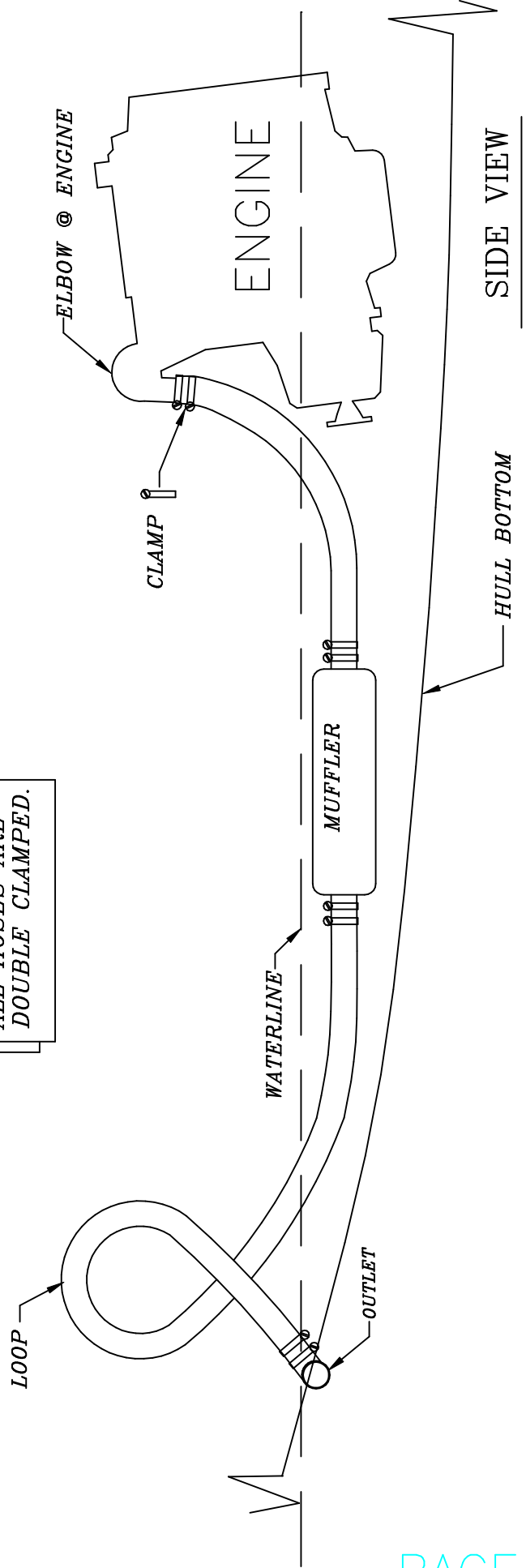
DESCRIPTION	PRT. NUMBER	WIRE SIZE	WIRE COLOR
LPG SWITCH/POWER	659802	16 gauge	ORANGE/RED
SENDER GUAGES	658600	16 gauge	RED
FUEL SENDER	658100	16 gauge	PINK
GROUND	659800	16 gauge	YELLOW
WATER SENDER	659806	16 gauge	ORANGE/BLUE
GROUND	659800	16 gauge	YELLOW
WATER PUMP	655200	12 gauge	BROWN
GROUND	659700	12 gauge	YELLOW
VACCU FLUSH	652202	10 gauge	BROWN/RED
GROUND	653631	16 gauge	YELLOW
WASTE SENDER	659805	16 gauge	ORANGE/GREEN
GROUND	659800	16 gauge	YELLOW
AFT SUMP PUMP	655400	12 gauge	BROWN/BLACK
GROUND	659700	12 gauge	YELLOW
FWD MACERATOR	655800	10 gauge	BROWN/WHITE
GROUND	653631	16 gauge	YELLOW
SOLAR PANEL	653640	16/2 DUPLEX	RED/YELLOW
VHF	653300	16 gauge	RED/WHITE
GROUND	659800	16 gauge	YELLOW
COURTESY LIGHTS	655100	16 gauge	BLUE/WHITE
GROUND	659800	16 gauge	YELLOW
CABIN LIGHTS	655000	16 gauge	BLUE
GROUND	659800	16 gauge	YELLOW
PORT FWD SPEAKERS	653620	16 gauge	WHITE/RED
STBD FWD SPEAKERS	653622	16 gauge	WHITE/BROWN
PORT MAIN SPEAKERS	653623	16 gauge	WHITE/ORANGE
STBD MAIN SPEAKERS	653624	16 gauge	WHIT/EBLUE
PORT AFT SPEAKER	653625	16 gauge	WHITE/GREEN
STBD AFT SPEAKER	653626	16 gauge	WHITE/VIOLET
PORT ARCH SPEAKER	653627	16 gauge	WHITE/PINK
PORT GROUND	653629	16 gauge	WHITE/YELLOW
STBD ARCH SPEAKER	653630	16 gauge	WHITE/GRAY
STBD GROUND	653623	16 gauge	WHITE/BLACK
COMPASS WIRE BOW	659804	16 gauge	GRAY/YELLOW
GROUND	659800	16 gauge	YELLOW
MAST	657300	16 gauge	GRAY
STEAMING LIGHT	656800	16 gauge	GRAY/GREEN
ANCHOR LIGHT	656900	16 gauge	GRAY/RED
HOUSE BATTERY	653610	2/O	RED
GROUND	653900	2/O	YELLOW
AC/DC PANEL	657900	6 gauge	ORANGE/RED
GROUND	653618	6 gauge	YELLOW
ENGINE	654100	1/O	RED
HALYARD	654010	1/O	RED/YELLOW
T.V. / V.C.R.	658400	10 gauge	RED
GROUND	653631	10 gauge	YELLOW
REFRIGERATION	658800	8 gauge	RED/BLACK
FREEZER	658900	8 gauge	RED/WHITE
GROUND	653615	8 gauge	YELLOW
STEREO OUT	657600	12 gauge	ORANGE/GREEN
STEREO POWER	658500	12 gauge	RED
GROUND	659700	12 gauge	YELLOW
INVERTER GROUND	653642	4 gauge	GREEN/YELLOW
WINDLASS SWITCH	659200	16 gauge	TAN
MANUAL BILGE	655700	12 gauge	BROWN/RED
AUTO BILGE	655600	12 gauge	BROWN/ORANGE
GROUND	659700	12 gauge	YELLOW
AFT MACERATOR	652400	10 gauge	BROWN
AFT SUMP PUMP	655400	12 gauge	BROWN/BLACK
FWD SUMP PUMP	654600	12 gauge	BROWN/YELLOW
AUTO PILOT	658700	8 gauge	RED
GROUND	653615	8 gauge	YELLOW
CHAINPLATE	653642	4 gauge	GREEN/YELLOW
BATTERY CHARGER # 1	658000	8 gauge	ORANGE/RED
BATTERY CHARGER # 2	657800	8 gauge	ORANGE/GREEN



HEAVY DUTY FLEXIBLE EXHAUST HOSE  
3" (76.2mm)



ALL HOSES ARE  
DOUBLE CLAMPED.



PROVIDE TITLE: **P420 EXHAUST SYSTEM LAYOUT**

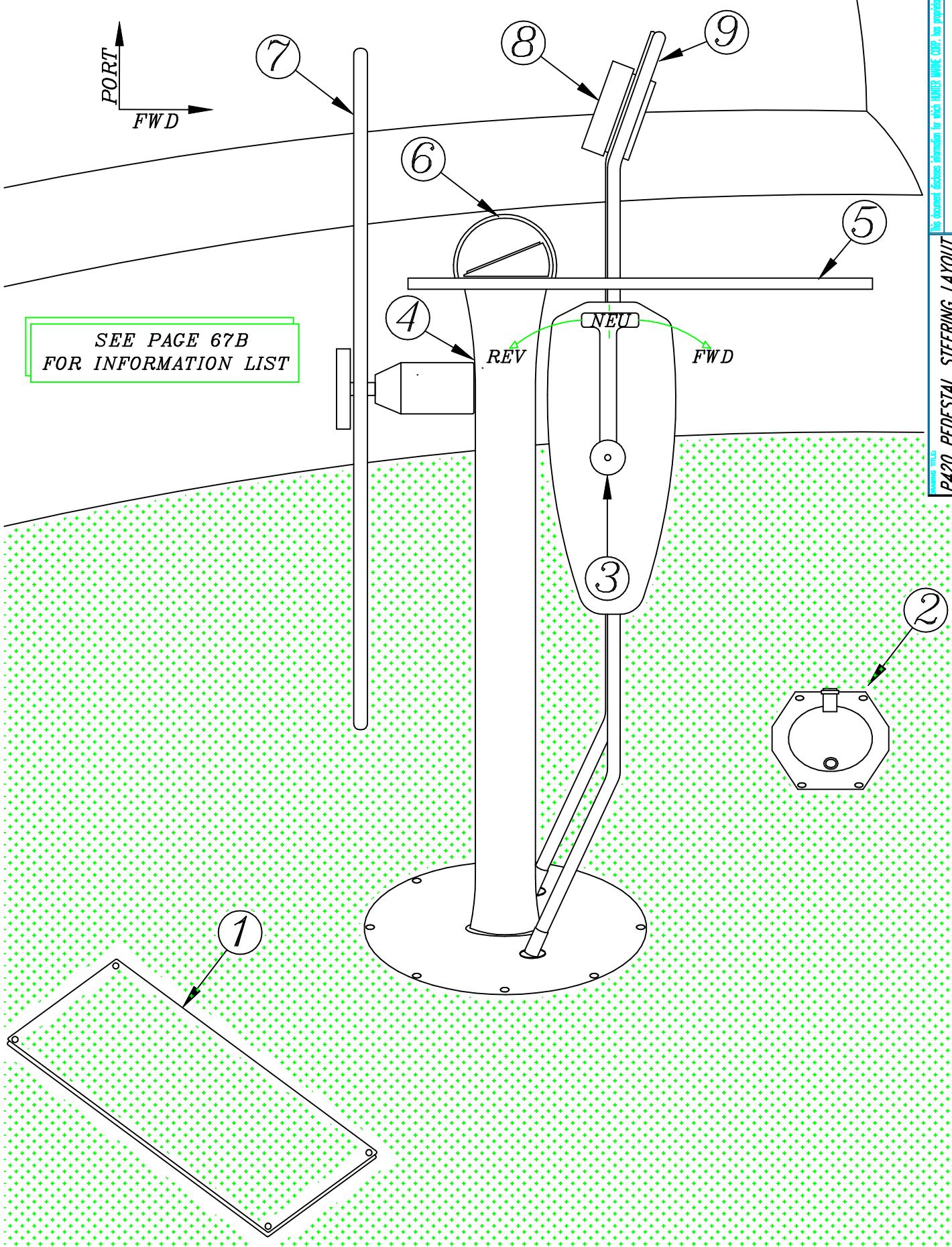
This document contains information for which HUNTER MARINE CORP. has proprietary rights.

DESIGN NO.	4208066	REVISION NO.	NONE
DATE	1/18/00	ENGINEERING DEPT.	



PORT  
FWD

SEE PAGE 67B  
FOR INFORMATION LIST



This document contains information for which HUNTER MARINE CORP. has proprietary rights.

HUNTER

P420 PEDESTAL STEERING LAYOUT

DESIGN NO.	4208067A
REVISION NO.	NONE
DATE	9/30/98
ENGINEERING DEPT.	

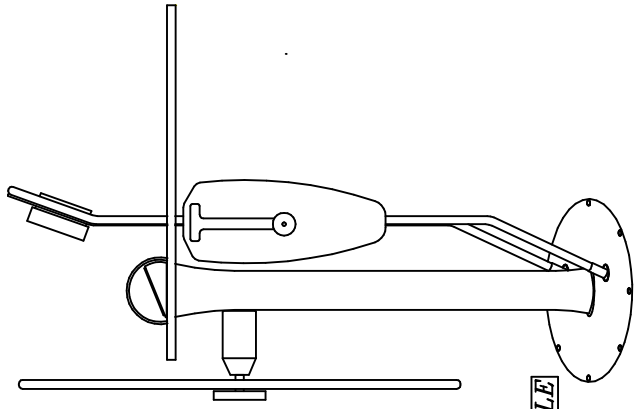
1. SCUPPER DRAIN COVER. (SEE PAGE 55C FOR SCUPPER DRAIN HOSE RUNS)
2. MANUAL BILGE PUMP COVER (SEE PAGE 55C AND 59D FOR FURTHER INFORMATION) NOTE: THE MANUAL BILGE PUMP HANDLE IS LOCATED UNDER THE PORT AFT COAMING LOCKER LID.
3. ENGINE / THROTTLE CONTROL
4. COCKPIT STEERING PEDESTAL (SEE PAGE 55C AND 67B FOR STEERING CABLE LOCATIONS/ RUNS AND FURTHER DETAILS.
5. COCKPIT TABLE
6. COMPASS
7. STEERING WHEEL
8. NAVIGATION INSTRUMENTS (COCKPIT) LOCATION
9. COCKPIT STEERING PEDESTAL GRAB BAR

**NOTE:**

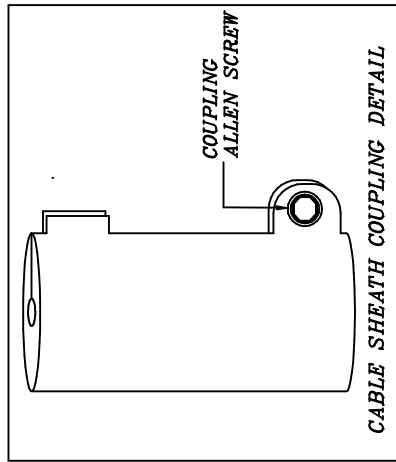
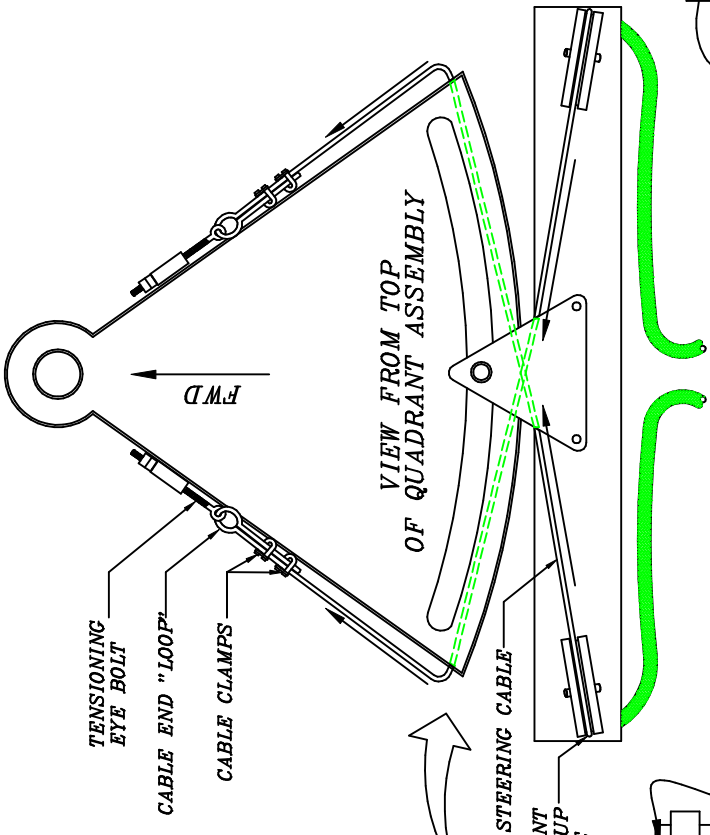
THE ENGINE KEY SWITCH PANEL IS LOCATED ON THE PORT SIDE COCKPIT COAMING.

THE STEERING CABLES RUN DOWN THROUGH THE DECK FROM THE BASE OF THE PEDESTAL TO THE ENGINE COMPARTMENT, DOWN TO THE PAN, THEN AFT TO THE QUADRANT ASSEMBLY. (SEE PAGE 67C FOR FURTHER DETAILS).

**WHITLOCK STEERING PEDESTAL**



COCKPIT SOLE



STANDUP SHEAVES

RUDDER POST

QUADRANT ASSEMBLY

CABLE SHEATH COUPLINGS (SEE DETAIL)

RUDDER POST SHAFT

STEERING CABLE GREASE FITTINGS (LOCATED FT AFT SWIM LOCKER)

FWD  
VIEW: STBD. LOOKING FT.

STEERING CABLES RUN DOWN THRU DECK TO THE STRINGER THEN AFT TO QUADRANT ASSEMBLY JUST AFT OF AFT STATEROOM BULKHEAD. (ACCESS THRU AFT SWIM LOCKERS)

ENGINE COMPARTMENT

(LOCATED INSIDE UPPER ENGINE COMPARTMENT)

CABLE SHEATH COUPLINGS

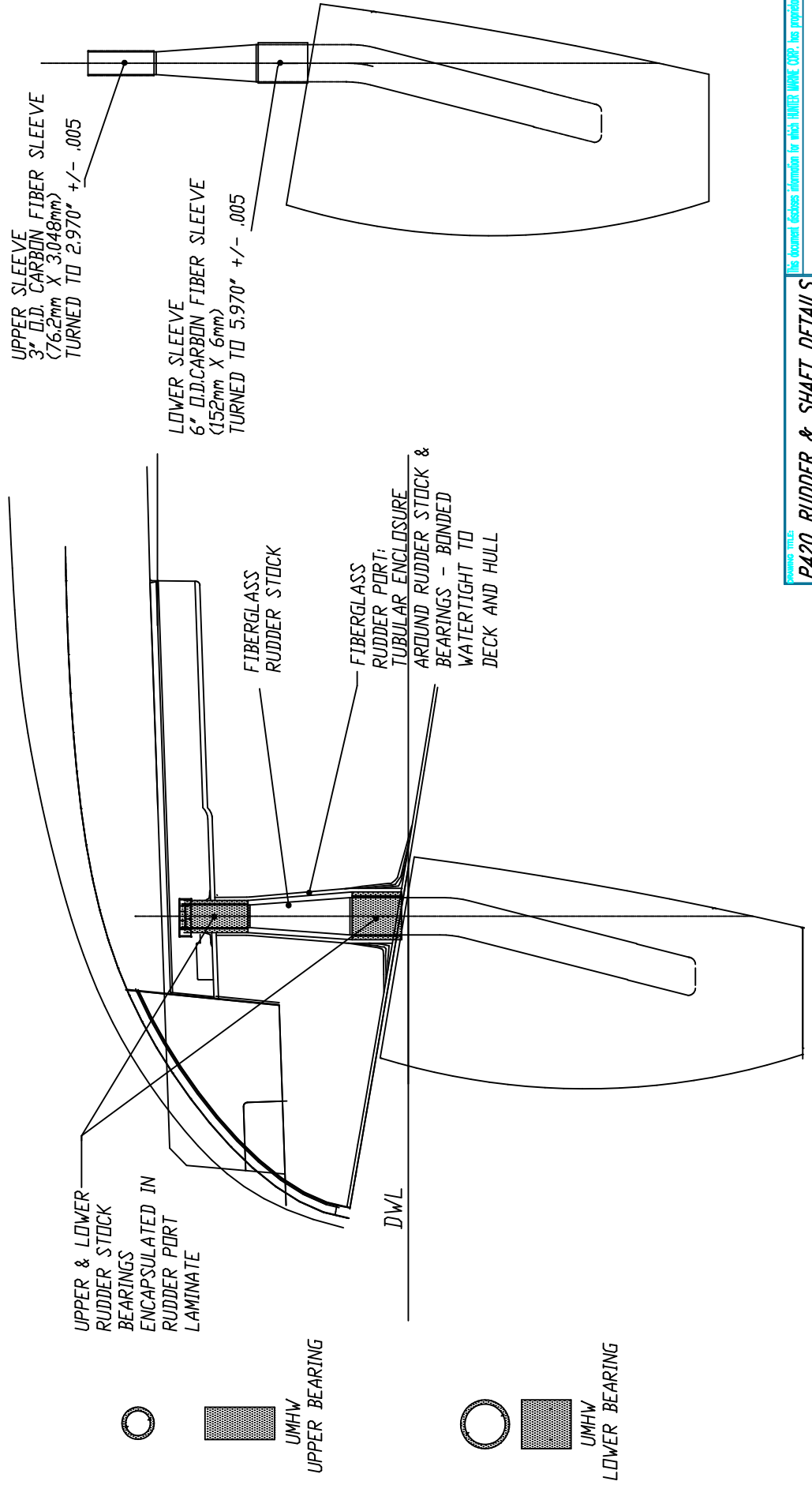
90° SHEAVE LOCATED PORT SIDE ENGINE BOX (ACCESS THRU PANEL LOCATED IN AFT HEAD PT BLKHD.)

**P420 STEERING SYSTEM DETAIL**

PROJECT NO.	4208067C	REVISION NO.	NONE
DATE		DATE	2/23/99
ENGINEERING DEPT.			

This document contains information for which HUNTER MARINE CORP. has proprietary rights.





UPPER SLEEVE  
 3" I.D. CARBON FIBER SLEEVE  
 (76.2mm X 3.048mm)  
 TURNED TO 2.970" +/- .005

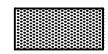
LOWER SLEEVE  
 6" I.D. CARBON FIBER SLEEVE  
 (152mm X 6mm)  
 TURNED TO 5.970" +/- .005

UPPER & LOWER  
 RUDDER STOCK  
 BEARINGS  
 ENCAPSULATED IN  
 RUDDER PORT  
 LAMINATE

FIBERGLASS  
 RUDDER STOCK

FIBERGLASS  
 RUDDER PORT:  
 TUBULAR ENCLOSURE  
 AROUND RUDDER STOCK &  
 BEARINGS - BONDED  
 WATERTIGHT TO  
 DECK AND HULL

DWL



UMHW  
 UPPER BEARING



UMHW  
 LOWER BEARING

This document contains information for which HUNTER MARINE CORP. has proprietary rights.

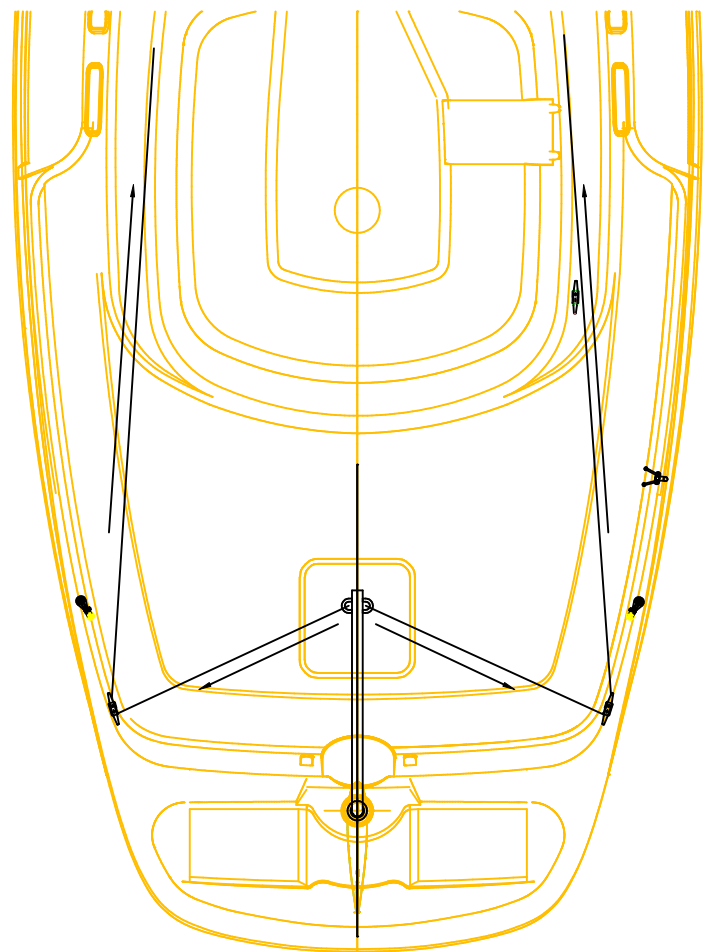
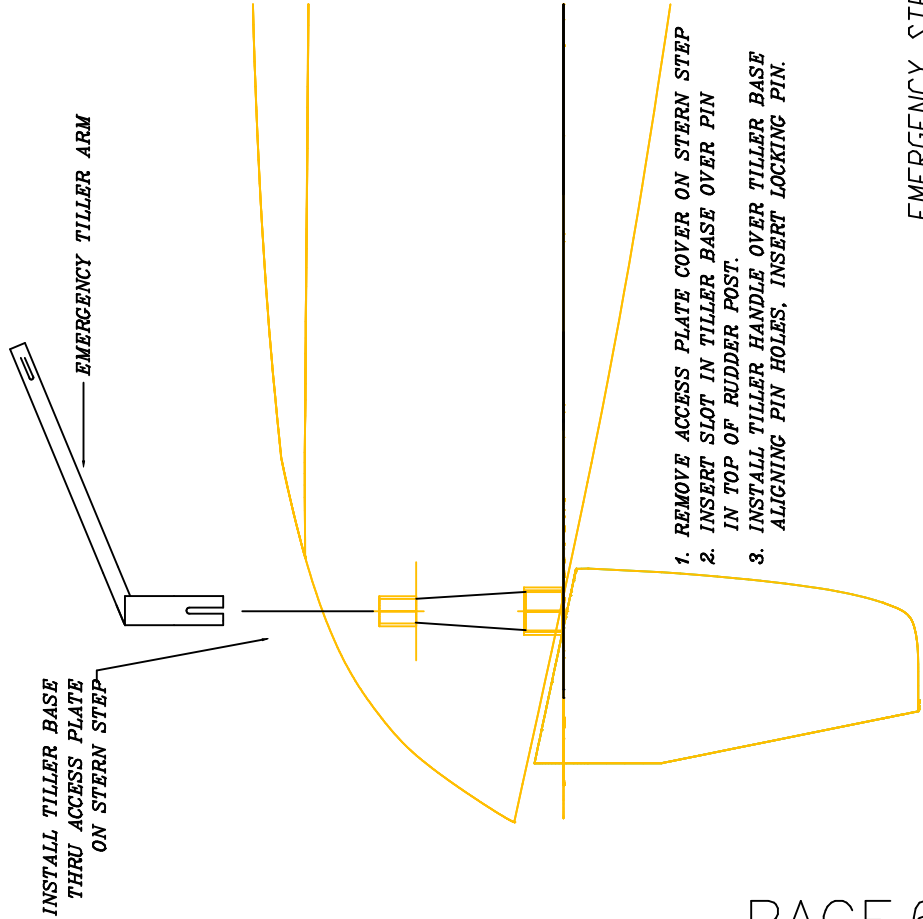
P420 RUDDER & SHAFT DETAILS

DESIGN NO.	4208068	REVISION NO.	NONE
DATE		DATE	10/1/98
ENGINEERING DEPT.			



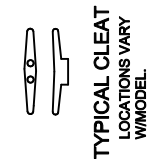
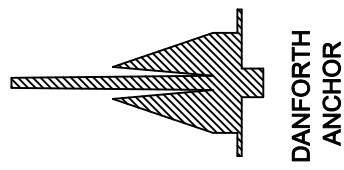
NOTE: EMERGENCY TILLER HANDLE & BASE LOCATED ON BULK. (PT SIDE) IN AFT PORT COAMING LOCKER

NOTE: IF SECURING TILLER BECOMES NECESSARY—OR IF YOU DESIRE TO STEER FROM COCKPIT— SECURE LINE TO EYE ON TILLER HANDLE LEAD AROUND MOORING CLEATS AS SHOWN THEN ON TO WINCHES.



EMERGENCY STEERING

NOTE: THE FORWARD SIDE CLEATS ON THE DECK ARE CONSIDERED THE STRONG POINT. THAT SHOULD BE THE ANCHOR POINT IF THE BOAT IS TO BE LEFT UNATTENDED.



- GROUND TACKLE:**
- 1.) BOW SHACKLE(W/PIN WIRED) @ ANCHOR...FOLD BY...
  - 2.) SWIVEL...FOLD BY...
  - 3.) CHAIN(OPTION)...FOLD BY...
  - 4.) D-SHAPED SHACKLE(W/PIN WIRED) @ EA. 27M OF CHAIN OR @ CHAIN TO ROPE RODE.

# PLAN

ELECTRIC ANCHOR WINDLASS (STANDARD OR OPTIONAL ON LARGER MODELS)

STAINLESS BOW ROLLER (SIZE & SHAPE VARIES BETWEEN MODELS)

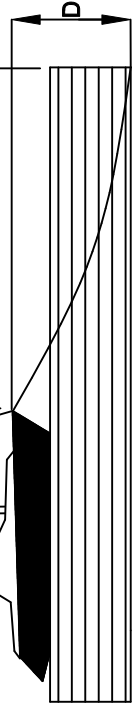
WELL: SMALLER MODELS

WELL: LARGER MODELS

# ELEVATION

WATERLINE

3D=CHAIN  
5D=ROPE



FORMING FILE  
**BASIC ANCHORING DIAGRAM**  
DESIGN NO. 4208070    REVISION NO. NONE    DATE 12/1/002  
DESIGNED BY ENG

**HUNTER**

This document contains information for which HUNTER MARINE CORP. has proprietary rights.