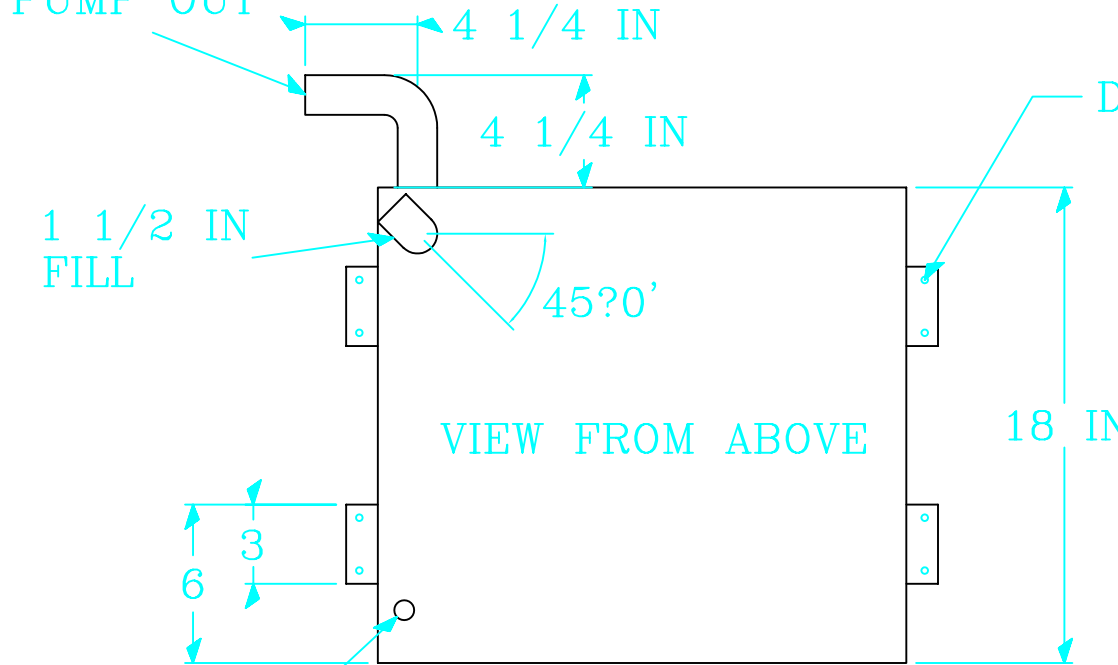
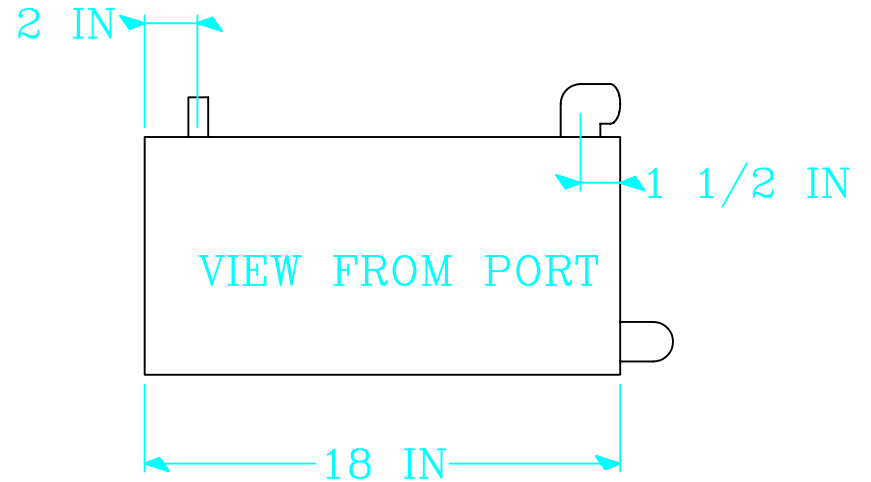
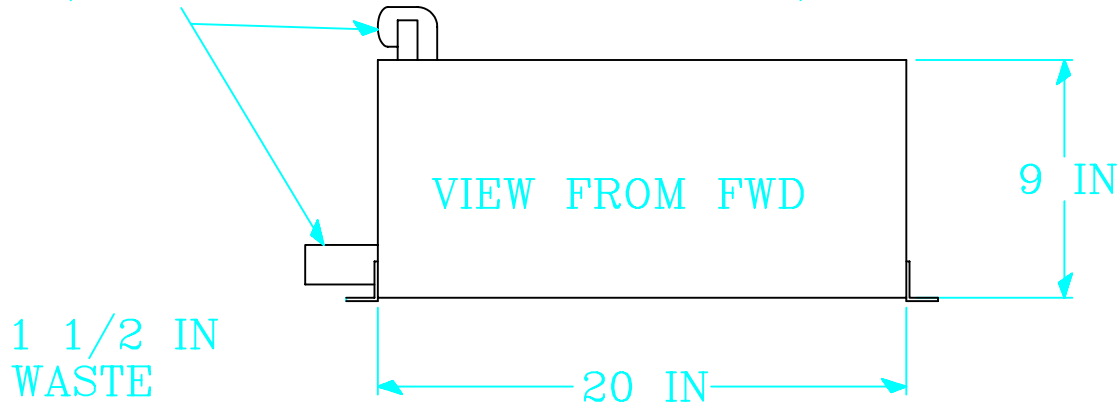


REVISION C
RADIUS ELBOWS
(NO SHARP 90° WELDED BENDS)



H35.5 WASTE TANK

NOTES

1. 5456 ALUMINUM
2. 1 PER BOAT
3. APPROX. 14 GAL

3/4 IN VENT

10/12/98	12/1/92	9/28/92	4/30/92	4/30/92	PROPRIETARY INFORMATION: This document discloses information for which HUNTER MARINE CORP. has proprietary rights.			
MOVE DISCEL.	EXT. DISCHARGE	RADIUS ELBOWS	CHANGE WASTE P/O (+8 IN)	REPLACES HAND DWG	DATE	DO NOT SCALE		
						TOLERANCES UNLESS OTHERWISE SPECIFIED:		
						FRACTIONAL	±	N/A
						2 PLACE DECIMAL	±	N/A
						3 PLACE DECIMAL	±	N/A
						4 PLACE DECIMAL	±	N/A
						ANGULAR	±	N/A
						BREAK ALL SHARP EDGES, DEBURR		
						FINISH	N/A	
						DRAWING TITLE:		
						H35.5 WASTE TANK		
PAPER SIZE		DRAWN BY:		DATE:		SCALE:		
A		SEAN		4/30/92		1 1/2"=1'		
PLOT SCALE:				HUNTER PART NO.		DRAWING NO.		
.125=1				N/A		H33-A-1904		