

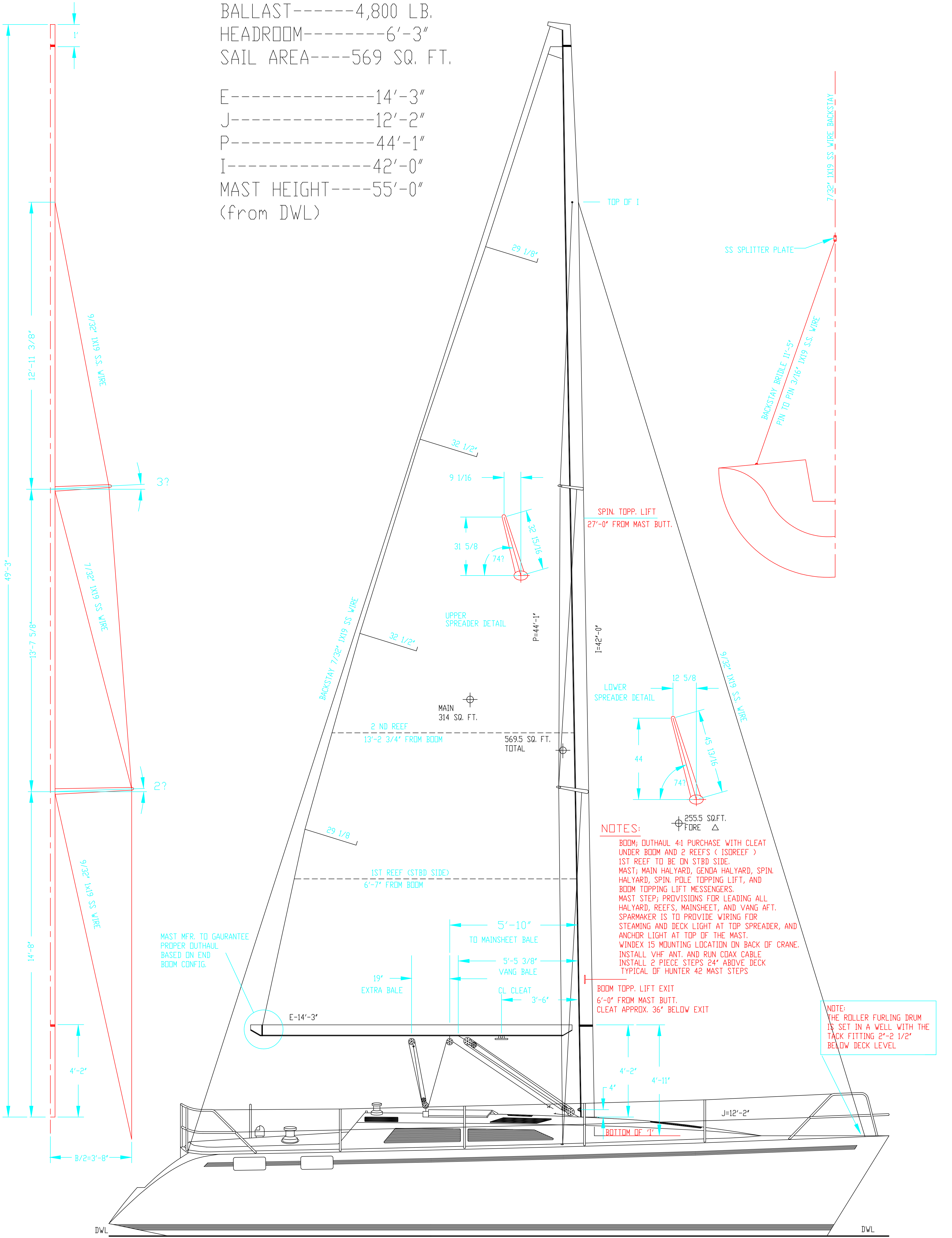
L.O.A.-----35'-7"
 L.W.L.-----29'-9"
 BEAM-----11'-9"
 DRAFT-----4'-6"
 DISPLACEMENT-12,600 LB.
 BALLAST-----4,800 LB.
 HEADROOM-----6'-3"
 SAIL AREA----569 SQ. FT.

E-----14'-3"
 J-----12'-2"
 P-----44'-1"
 I-----42'-0"
 MAST HEIGHT----55'-0"
 (from DWL)

MAST NG46
 BOOM NB 40

2-1-89 RELOCATE REEF, G.C.
 2-6-89 DROPPED CAP SHROUDS 8"
 3-1-89 RELOCATED REEF, G.C.
 4-4-89 MODIFIED BOGGIN'S STAYS
 4-28-89 RAISE BOOM 10" GENE
 5-17-89 LOWER BOOM 4" 6'-6" HD RM UNDER BOOM GENE
 11-22-89 ADDED STEPS ON SIDE OF SPAR
 MOVED MAST BUTT CLEAT 18" DOWN
 BRIAN

HUNTER MARINE CORP. ALACHUA, FL.	
DRAWING TITLE HUNTER 35.5 SAIL AND RIGGING PLAN	
CHECKED MAYFL	DRAWN BY GENE/BRIAN
SCALE 1/2"=1'-0"	DATE 1-19-89
DRAWING NO. H35-D-1402B	



NOTES:

- BOOM; OUTHAUL 4:1 PURCHASE WITH CLEAT UNDER BOOM AND 2 REEFS (1SDREEF)
- 1ST REEF TO BE ON STBD SIDE.
- MAST; MAIN HALYARD, GENDA HALYARD, SPIN HALYARD, SPIN POLE TOPPING LIFT, AND BOOM TOPPING LIFT MESSNGERS.
- MAST STEP; PROVISIONS FOR LEADING ALL HALYARD, REEFS, MAINSHEET, AND VANG AFT.
- SPARMAKER IS TO PROVIDE WIRING FOR STEERING AND DECK LIGHT AT TOP SPREADER, AND ANCHOR LIGHT AT TOP OF THE MAST.
- WINDEX IS MOUNTING LOCATION ON BACK OF CRANE.
- INSTALL VHF ANT. AND RUN COAX CABLE
- INSTALL 2 PIECE STEPS 24" ABOVE DECK TYPICAL OF HUNTER 42 MAST STEPS

NOTE:
 THE ROLLER FURLING DRUM IS SET IN A WELL WITH THE TACK FITTING 2'-2 1/2" BELOW DECK LEVEL

MAST MFR. TO GAURANTEE PROPER OUTHAUL BASED ON END BOOM CONFIG.

BOOM TOPP. LIFT EXIT
 6'-0" FROM MAST BUTT.
 CLEAT APPROX. 36" BELOW EXIT

5'-10" TO MAINSHEET BAILE
 5'-5 3/8" VANG BAILE
 19" EXTRA BAILE
 CL CLEAT 3'-6"

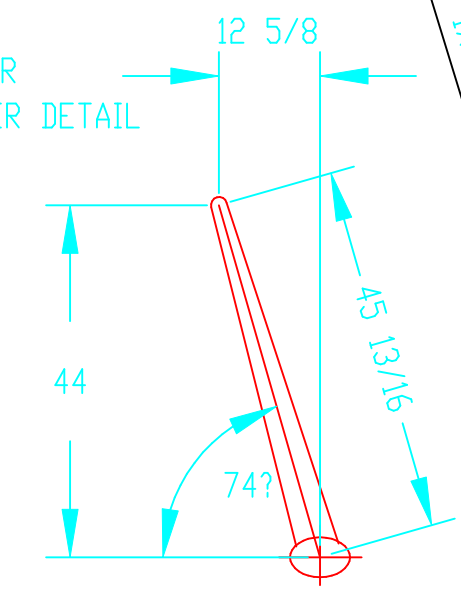
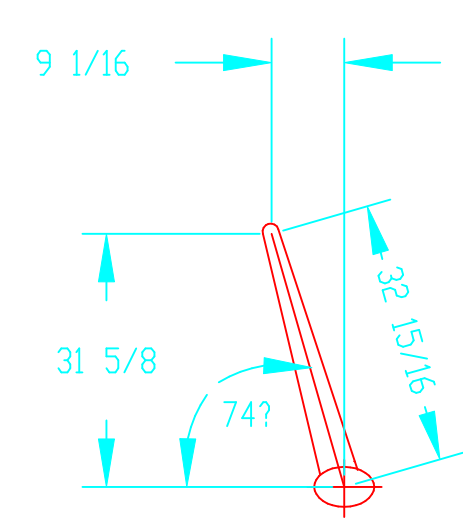
255.5 SQ.FT. FORE
 569.5 SQ. FT. TOTAL

MAIN 314 SQ. FT.

SPIN. TOPP. LIFT
 27'-0" FROM MAST BUTT.

UPPER SPREADER DETAIL

LOWER SPREADER DETAIL



NOTE:
 THE ROLLER FURLING DRUM IS SET IN A WELL WITH THE TACK FITTING 2'-2 1/2" BELOW DECK LEVEL

BOOM TOPP. LIFT EXIT
 6'-0" FROM MAST BUTT.
 CLEAT APPROX. 36" BELOW EXIT

5'-10" TO MAINSHEET BAILE
 5'-5 3/8" VANG BAILE
 19" EXTRA BAILE
 CL CLEAT 3'-6"

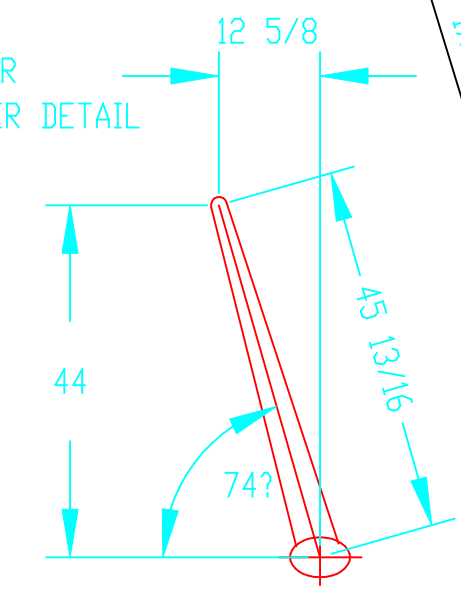
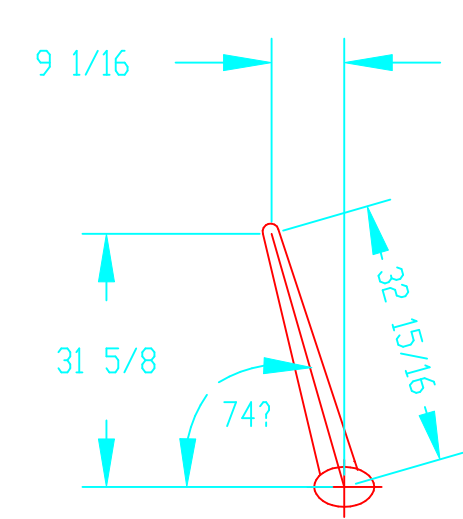
255.5 SQ.FT. FORE
 569.5 SQ. FT. TOTAL

MAIN 314 SQ. FT.

SPIN. TOPP. LIFT
 27'-0" FROM MAST BUTT.

UPPER SPREADER DETAIL

LOWER SPREADER DETAIL



NOTE:
 THE ROLLER FURLING DRUM IS SET IN A WELL WITH THE TACK FITTING 2'-2 1/2" BELOW DECK LEVEL