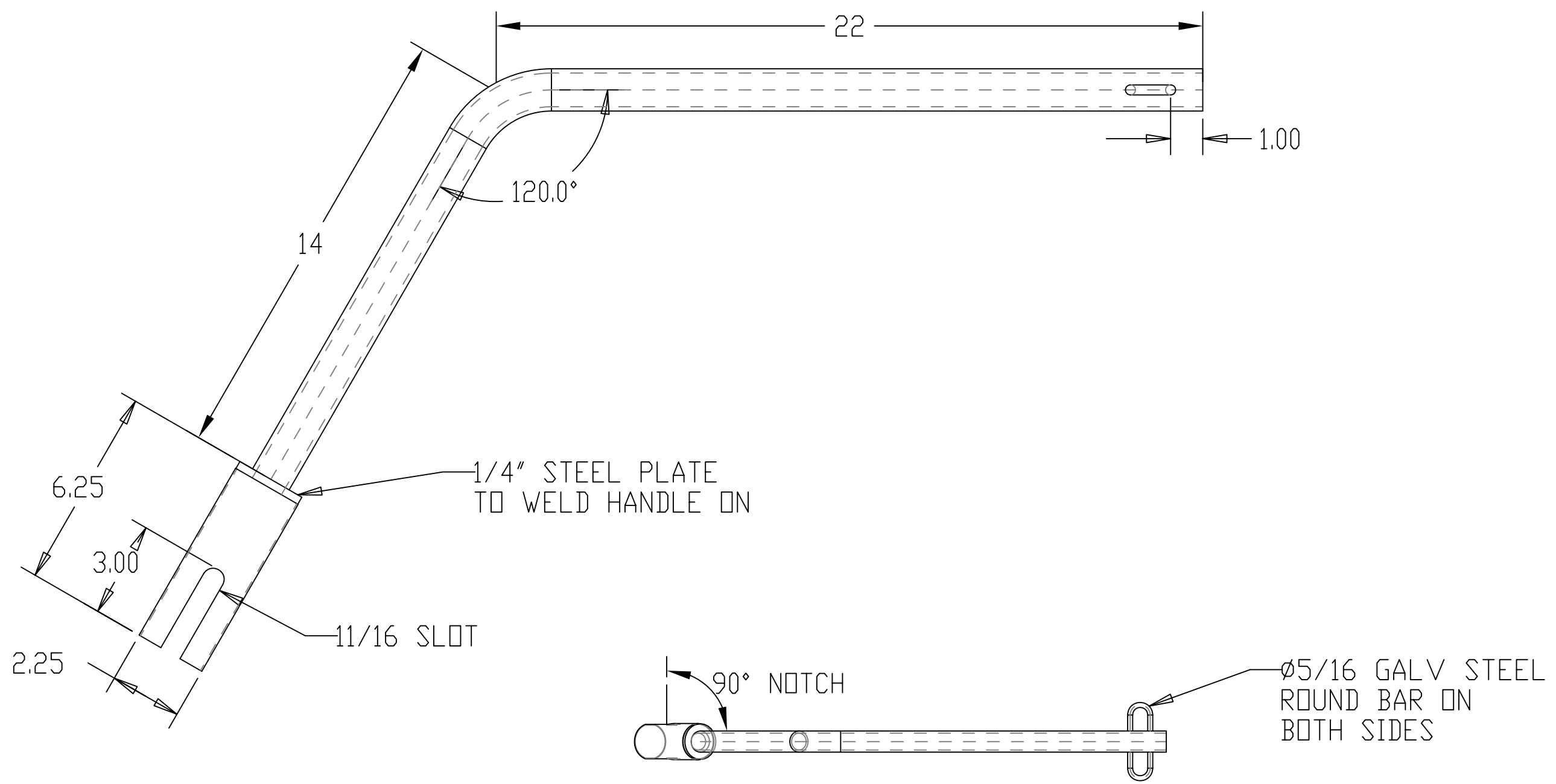



SYMBOL	REVISIONS	DATE	ENG
A	ORIGINAL ISSUE	10/10/05	BMB



2" SCH 80 MACHINED TO 2.25 O.D.

SCALE 0.125

PROPRIETARY INFORMATION: THIS DRAWING CONTAINS INFORMATION FOR WHICH HUNTER MARINE CORPORATION HAS PROPRIETARY RIGHTS.



H U N T E R 33

DRAWING TITLE: EMERGENCY TILLER

DRAWN BY: BMB	DATE: 10-Oct-05	SHEET 1	OF 1
SCALE: 1.00	HUNTER PART NO. PART NUMBER	REVISION A	DRAW # 33 EMERG TILLER

CHECKED: