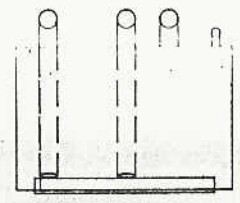
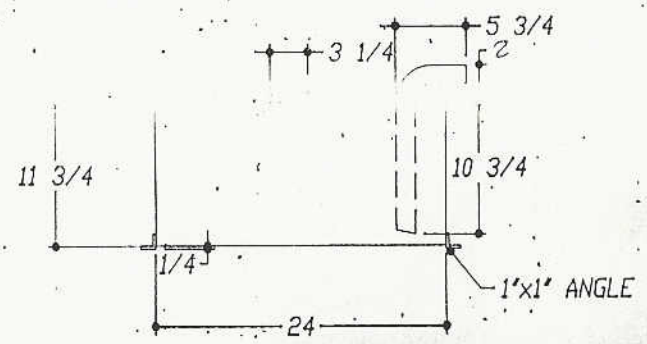


NOTES:

1. CAPACITY: 20 GALLONS
2. QUANTITY: 1 PER BOAT
3. TO BE MADE OF 6061-T6 OR 5456 ALUMINUM
4. BUILD AND BAFFEL TANK TO U.S.C.G. REGULATIONS
5. KEEP INLETS AND OUTLETS BELOW 3' FROM TOP OF TANK



				PROPRIETARY INFORMATION: This document discloses information for which HUNTER MARINE CORP. has proprietary rights.			
				DO NOT SCALE			
				<h1 style="margin: 0;">HUNTER</h1>			
				DRAWING TITLE: H33.5 WASTE TANK			
		REVISEL HT 111083		DATE: 11-30-91		SCALE: 3/4"=1'0"	
		1/4" MITG 4x15		DRAWN BY: LDM		DATE: 3-19-91	
		MOVED INLET & VENT		PAPER SIZE: A		HUNTER PART NO: N/A	
		A		PLOT SCALE: .0625=1		DRAWING NO: H33A1913	
		SYMBOL		FINISH: N/A			