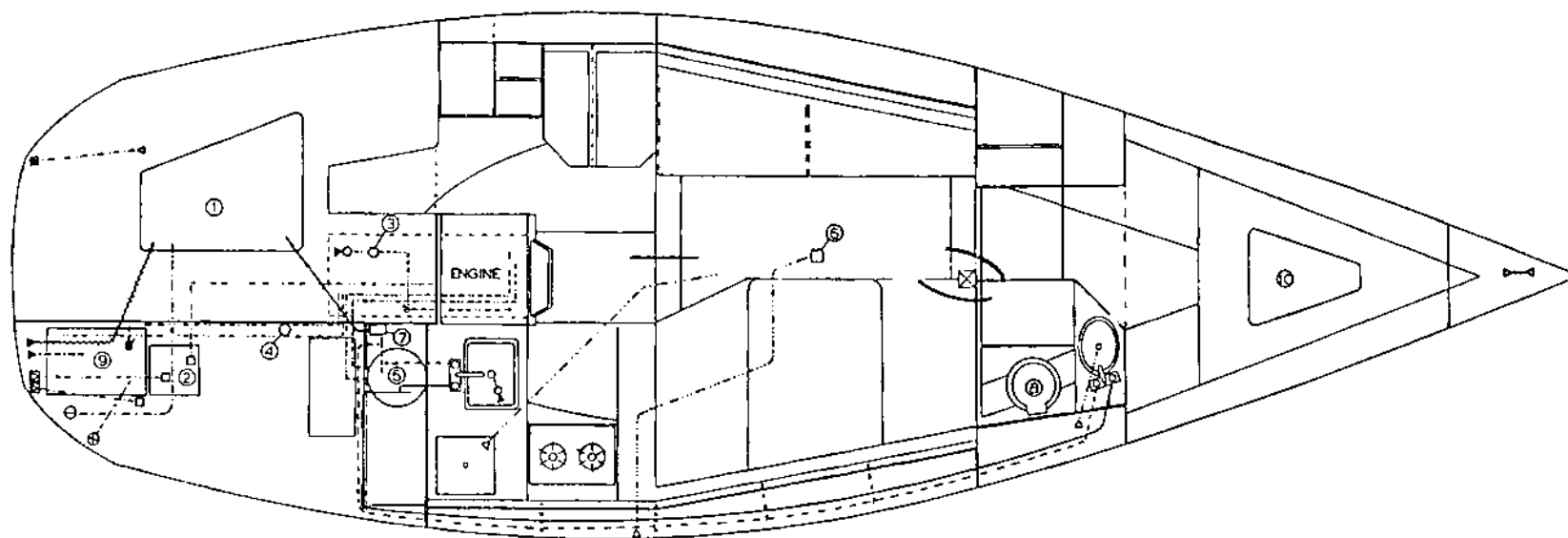


Hunter 31

PLUMBING DIAGRAM



LEGEND:

- | | |
|-----------------------|--------------------------|
| ① WATER TANK 33 gl | ⑦ PRESSURIZED WATER PUMP |
| ② WATERLOCK (MUFFLER) | ⑧ HEAD |
| ③ SEA STRAINER | ⑨ FUEL TANK 18 gl |
| ④ FUEL FILTER | ⑩ HOLDING TANK 20 gl |
| ⑤ WATER HEATER | ⑪ VENTED LOOP |
| ⑥ ELECTRIC BILGE PUMP | ⑫ MANUAL WASTE PUMP |

SYMBOLS:

- | | |
|---|---------------------|
| △ | THRU HULL (PLASTIC) |
| ▲ | THRU HULL (BRONZE) |
| ▲ | VENT |
| ○ | GATE VALVE |
| □ | SCUPPER TUBE |

Continued on next page