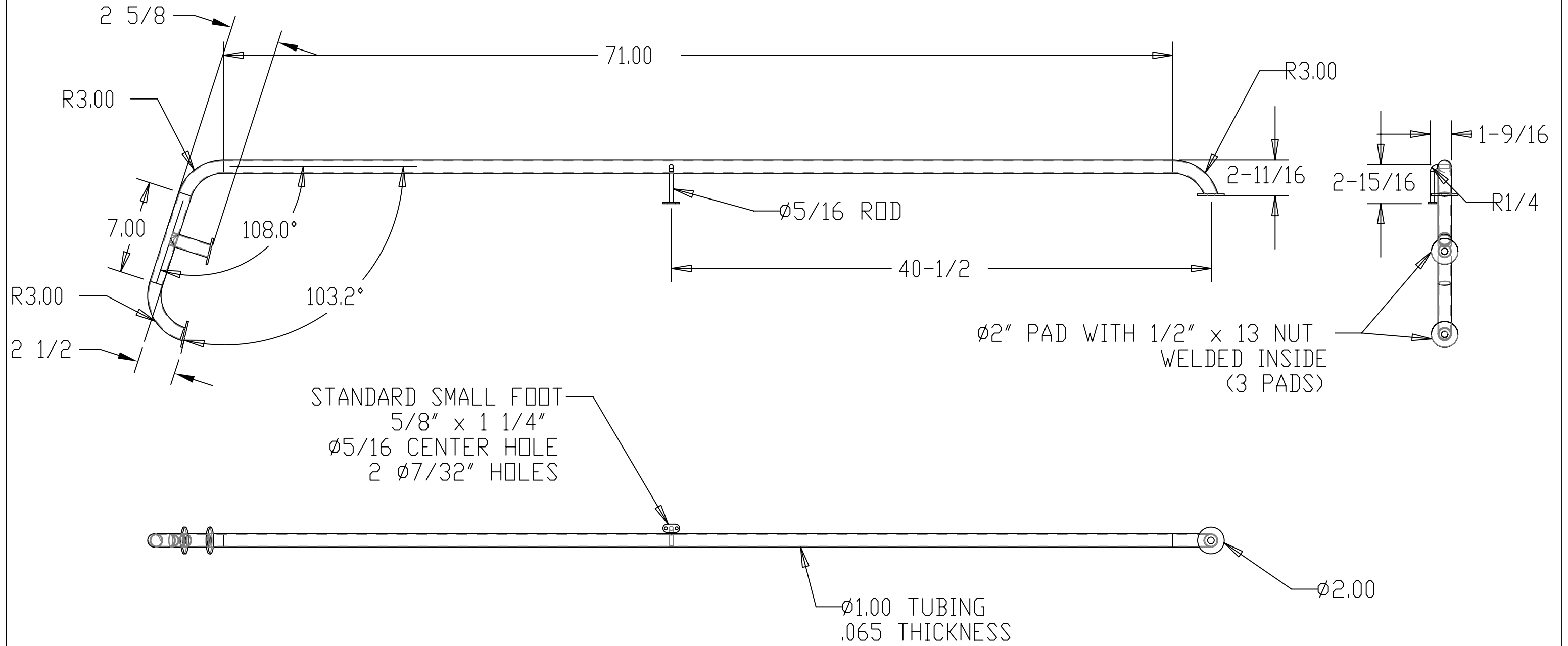


SYMBOL	REVISIONS	DATE	ENG
A	ORIGINAL ISSUE	11/07/05	BMB




STANDARD SMALL FOOT  
 5/8" x 1 1/4"  
 Ø5/16 CENTER HOLE  
 2 Ø7/32" HOLES

Ø2" PAD WITH 1/2" x 13 NUT  
 WELDED INSIDE  
 (3 PADS)

- SLIDER RAIL  
 NOTES: SCALE= 0.125
1. MATERIAL: 1" OD STAINLESS STEEL TUBING
  2. ALL DIMENSIONS ARE INCHES AND DEGREES
  3. ALL WELDS TO MEET AWS STANDARDS.
  4. BREAK AND DEBURR ALL EDGES
  5. BRIGHT POLISH AFTER FABRICATION
  6. MIRROR PART FOR PORT SIDE
  7. 2 PARTS PER BOAT (1 PORT & 1 STBD)

PROPRIETARY INFORMATION: THIS DRAWING CONTAINS INFORMATION FOR WHICH HUNTER MARINE CORPORATION HAS PROPRIETARY RIGHTS.



H U N T E R 31

DRAWING TITLE:  
 SLIDER RAIL

DRAWN BY: BMB	DATE: 07-Nov-05	SHEET 1	OF 1
SCALE: 0.125	HUNTER PART NO. TBD	REVISION A	DRAW # 31 DECK RAIL SLIDER STBD

CHECKED: