

HUNTER 29.5 SAILPLAN

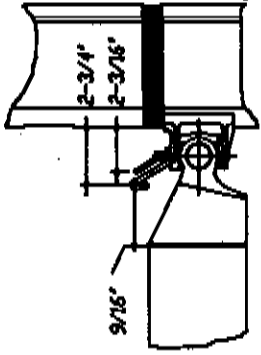
By sweeping the shrouds and spreaders aft on the Hunter 29.5 we are able to support the spar in all conditions without the need for a conventional backstay. This means we are free to maximize the mainsail roach size in order to increase sail area in a location which is far more easily controlled than adding the same or less area to the overlap of the jib.

The comparisons between these two methods of adding sail area are shown in Dwg H29-A-2656. By utilizing a shorter overlap jib we are able to sheet inside the shrouds for a very efficient 11 degree sheeting angle .

Therefore, with the 29.5 we have created a sailplan with not only greater area than a conventional rig with a 150% LP jib, but also one which is more efficient due to the higher aspect ratio jib and tighter sheeting angles. This rig configuration is also easier to handle, with upwind tacks often being completed without the need for a winch handle.

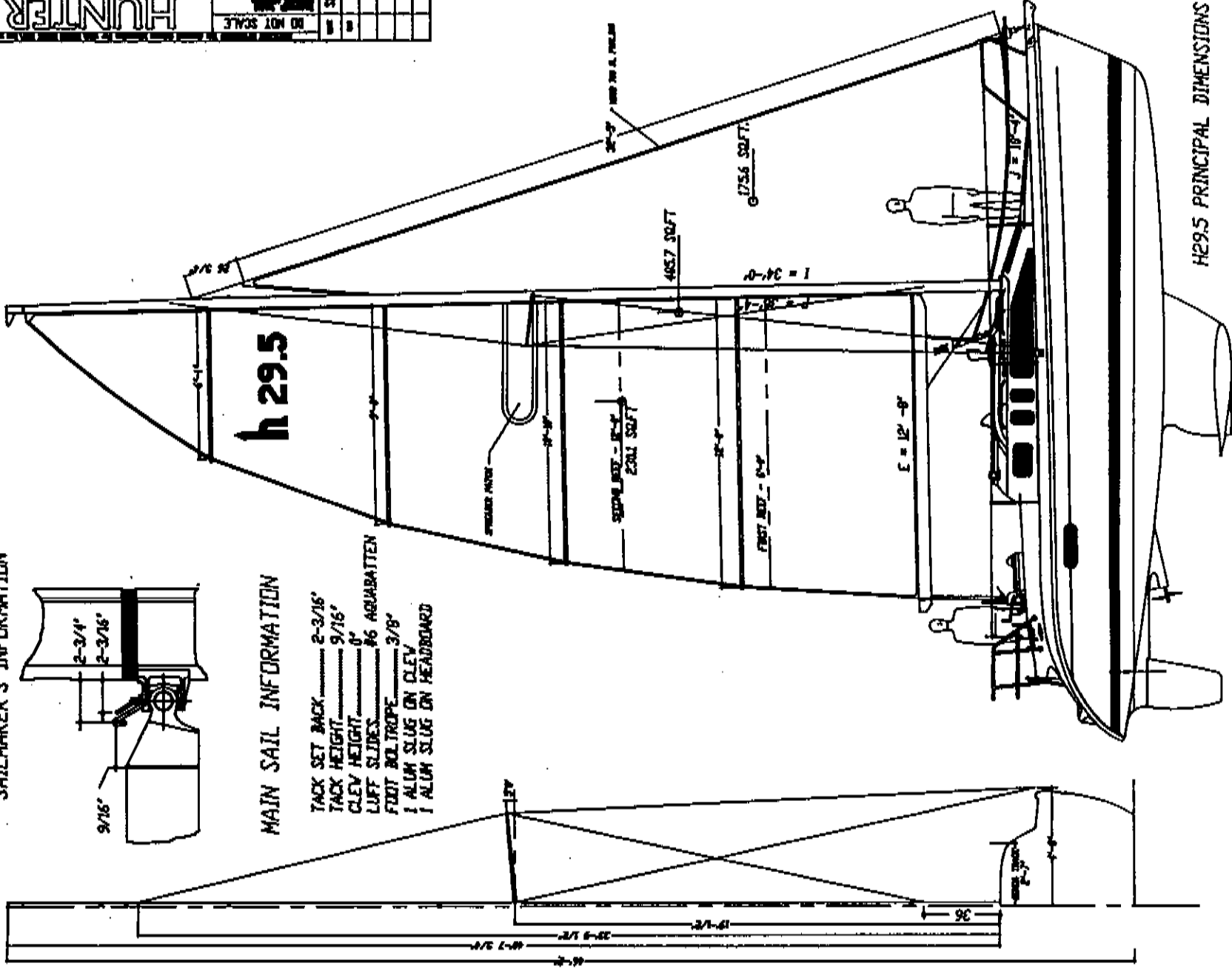
With the majority of the sail area in the main, sudden gusts can be easily handled by "dumping" the mainsheet which is always at hand to the helmsperson.

SAILMAKER'S INFORMATION



MAIN SAIL INFORMATION

- TACK SET BACK _____ 2-3/16"
- TACK HEIGHT _____ 5/16"
- CLEW HEIGHT _____ 0"
- LIFT SLIDES _____ #6 AQUABATTEN
- FOOT BOLTTROPE _____ 3/8"
- 1 ALUM SLOG ON CLEW
- 1 ALUM SLOG ON HEADBOARD



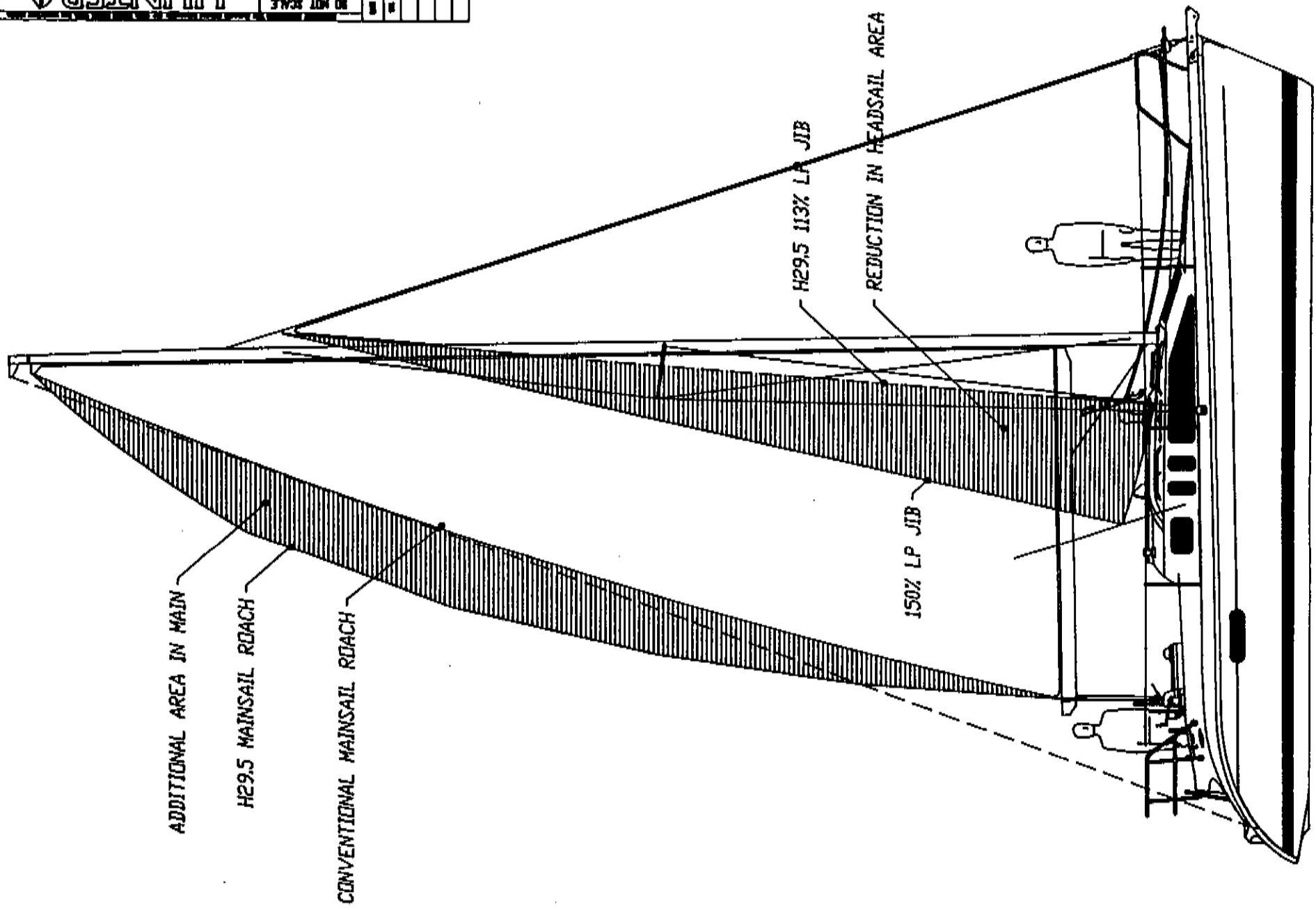
H29.5 PRINCIPAL DIMENSIONS

- LOA _____ 29'-6"
- LVL _____ 27'-0"
- BWAU _____ 17'-6"
- DRIFT _____ 4'-0"
- DISPLACEMENT _____ 8000 LBS
- BALLAST _____ 2500 LBS
- HEIGHT ABOVE LVL _____ 46'-2"

HUNTER			H29.5 SAILPLAN		
DATE	REVISED	SCALE	BY	CHKD	APP'D
2/20/74	Y	NO NOT SCALE			
H29.5 SAIL PLAN					
2/20/74					
N/A					
REVISED					
REVISIONS					
DATE					
BY					
CHKD					
APP'D					

HP28257

NO NOT SCALE		REVISIONS		DATE		BY	
HUNTER				H295 SAILPLAN COMPARISON			
REV. 5/20/94				KMC			
N/A				HEWESSE			



ADDITIONAL AREA IN MAIN
H295 MAINSAIL ROACH
CONVENTIONAL MAINSAIL ROACH

H295 113% LA JIB

REDUCTION IN HEADSAIL AREA

150% LP JIB

AREA IN ROACH IS LARGER THAN AREA OF INCREASED LP

TUNING THE 29.5 FRACTIONAL B&R RIG

THE HUNTER 29.5 FRACTIONAL B&R RIG

The Hunter 29.5 rig utilizes swept back spreaders and shrouds to support the mast fore and aft as well as transversely. This tripod support system eliminates the need for a conventional backstay allowing the aft component of the shrouds to support the forestay loading directly. Therefore, forestay tension and forestay sag are directly controlled by upper shroud tension. For that reason it is very important that the upper shrouds are as tight as possible. It is also important in this rig configuration that the mast be tuned with a substantial amount of "pre-bend" for maximum rig stability. The following tuning instructions are designed to achieve those goals.

BEFORE STEPPING THE MAST

Install the spreaders on to the spreader bar, being careful to note which spreader is labeled "starboard". The spreaders are custom fit to each spreader bar and are designed to fit snug against the mast wall. To ease the installation, and align the holes, it may be necessary to squeeze the mast together ever so slightly at the spreader base with a large wood clamp or a large, well padded, metal "C" clamp. Install the rigging to the spar and spreader tip. See Drawing #H29A2654. Remove all clevis and cotter pins from the tumblers and place the corresponding pins close by the appropriate chainplate and forestay fitting. Open all tumblers to the maximum, making sure that there is still enough thread gripping that the tumblers don't come apart. Install the Windex instrument, VHF antenna and masthead light and any additional wind instruments on the masthead. The Windex mounts on an aluminum bar extending aft to allow it to clear the VHF antenna. If not already attached to the mast head, this bar may be in the "loose gear" kit. Also make sure that the interior cover plate inside the boat on the overhead liner at the top of the mast compression post is removed to allow access to the mast wiring. It is always wise to pad and tape the tips of the spreaders to prevent them from chafing the mainsail when the main is eased. The spar should be hoisted from a location just above the spreaders. If not already done, run the halyards in the spar using the messenger lines installed. Install the reefing lines, outhaul & mainsheet in the boom. When all the rigging is attached, induce 4" of "pre-bend" by tensioning the diamonds. Make sure that this bend occurs longitudinally only, and that the mast is still straight transversely.

TUNING THE 29.5 FRACTIONAL B&R RIG

(CONT)

STEPPING THE MAST

During stepping make sure that the electrical wiring for the VHF and mast lights is pulled through the hole in the deck on top of the mast step for connection below deck. After stepping your mast, attach the lower shrouds to the forward of the three holes in each chainplate and the main shrouds to the aft holes. The turnbuckles should be installed with the cotter pins located inboard. With the turnbuckles still eased all the way, attach the forestay to the stem head casting using the two link plates and 5/8" diameter pin supplied for that purpose. A jib halyard run forward to the "U" bolt in the anchor locker may have to be used to achieve enough slack to connect the forestay. Tension the shrouds to remove most of the slack, making sure that the port and starboard turnbuckles for each shroud pair (mains & lowers) are tensioned uniformly. When all the standing rigging is attached and the slack removed unrig the lifting hoist. Run the halyards from their exits in the spar through the appropriate block on the mast step, through the deflector blocks and aft through the rope clutches, as outlined on the Running Rigging Drawing (H29A2612). Rig the Boom to the mast and attach the mainsheet & vang.

PLUMBING THE MAST & SETTING THE RAKE

To center the mast athwartships, start with only slight tension on the main and lower shrouds. Check that the mast is centered in the boat by measuring from the masthead to the chainplates with a steel tape measure hoisted completely up the main halyard. Adjust the main shrouds, easing one and tightening the other, until the measurements port and starboard are exactly the same. If a steel tape isn't available, the main halyard can also be used for this purpose being careful that equal tensions are applied each side. Once the mast is plumb athwartships, check the amount of rake or aft angle on the mast by hanging a weight from the shackle on the main halyard and adjusting the halyard position so the weight hangs just above the boom. On a calm day, with nobody on the boat, this weight should hang 12 to 14 inches aft of the mast. Adjust the main shrouds uniformly, easing or tightening the same number of turns each side, and the forestay to achieve the proper amount of rake.

TUNING THE 29.5 FRACTIONAL B&R RIG

(CONT)

INITIAL TUNING

TIGHTEN THE MAIN SHROUDS

With the mast plumb athwartships and the proper amount of rake achieved, tension both main shrouds equally, counting turnbuckle revolutions as you go. As you tighten the mains, the amount of "prebend" will increase as the spreaders push the middle of the mast forward. As this happens, the previously tensioned diamonds will go slack. At this point, tension the lowers and bring the "prebend" back to the original amount and thus remove the slack from the diamonds. Make sure that the lowers are tensioned uniformly so that no transverse curvature is introduced.

TIGHTEN THE FORE STAY

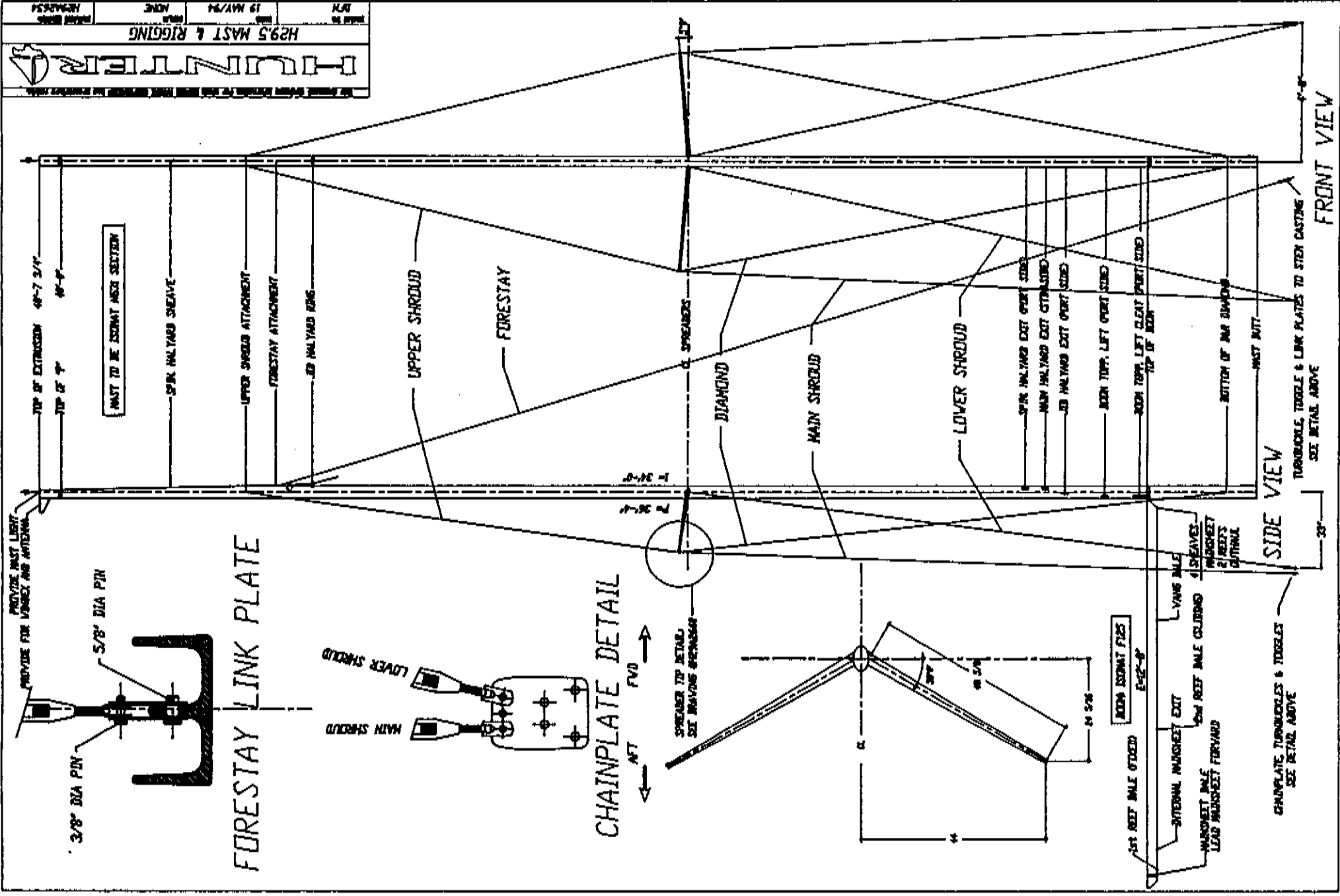
Lift the furling drum and tension the forestay turnbuckle until it is 1/3 to 1/2 closed.

FINAL TUNING

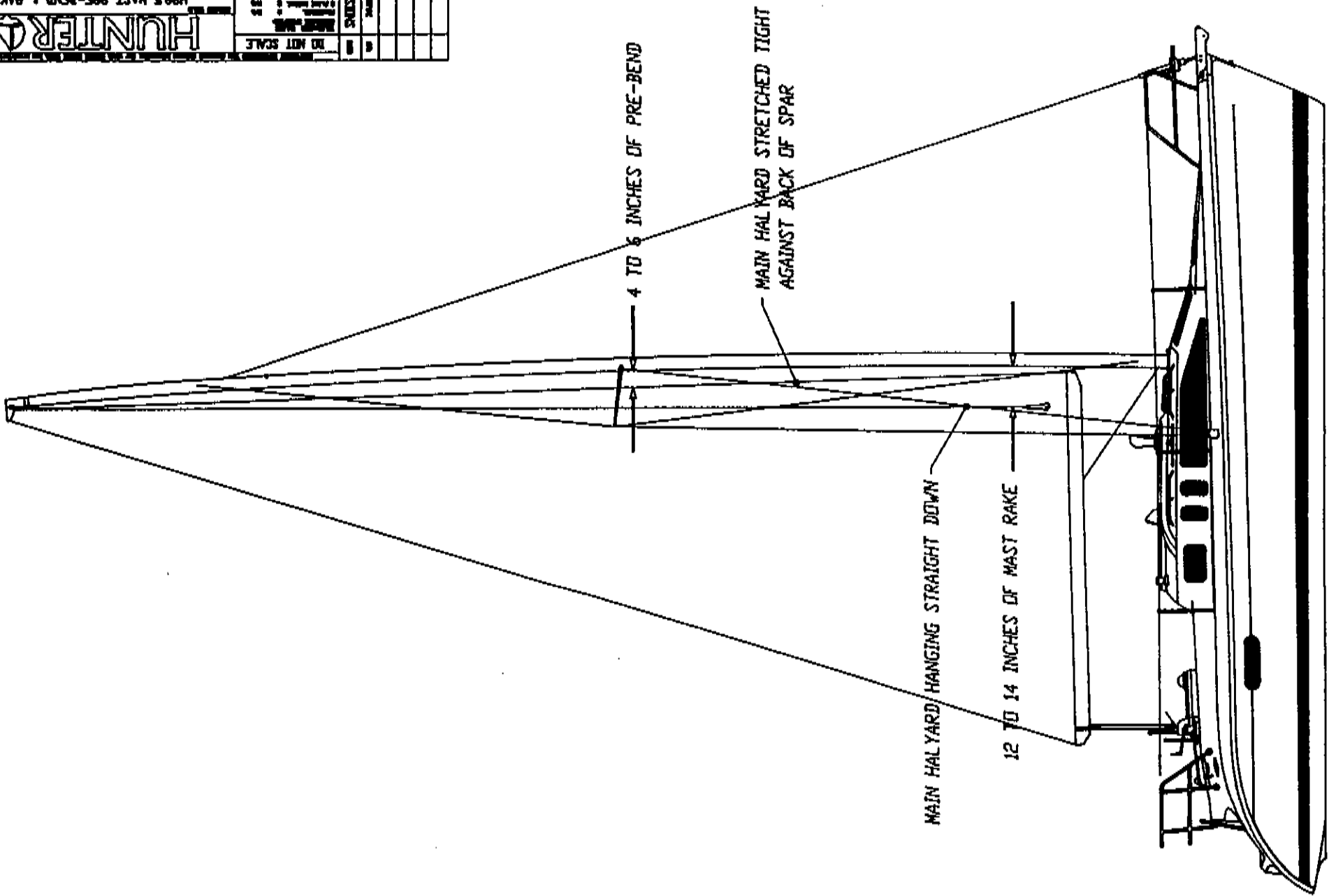
After the rigging is adjusted as above and the mast is straight amidships and has the necessary 4" of pre-bend, continue tensioning the main shroud turnbuckles uniformly each side (counting & matching the same number of half turns) with a wrench and a screw driver until no more tension can be applied without exceptional effort. Do not use any artificial means, such as pipe extensions on the wrench and screw driver, to achieve additional tension. Lift the furling drum again and tension the forestay an additional four to six turns.

CHECKING THE RIG'S TUNING

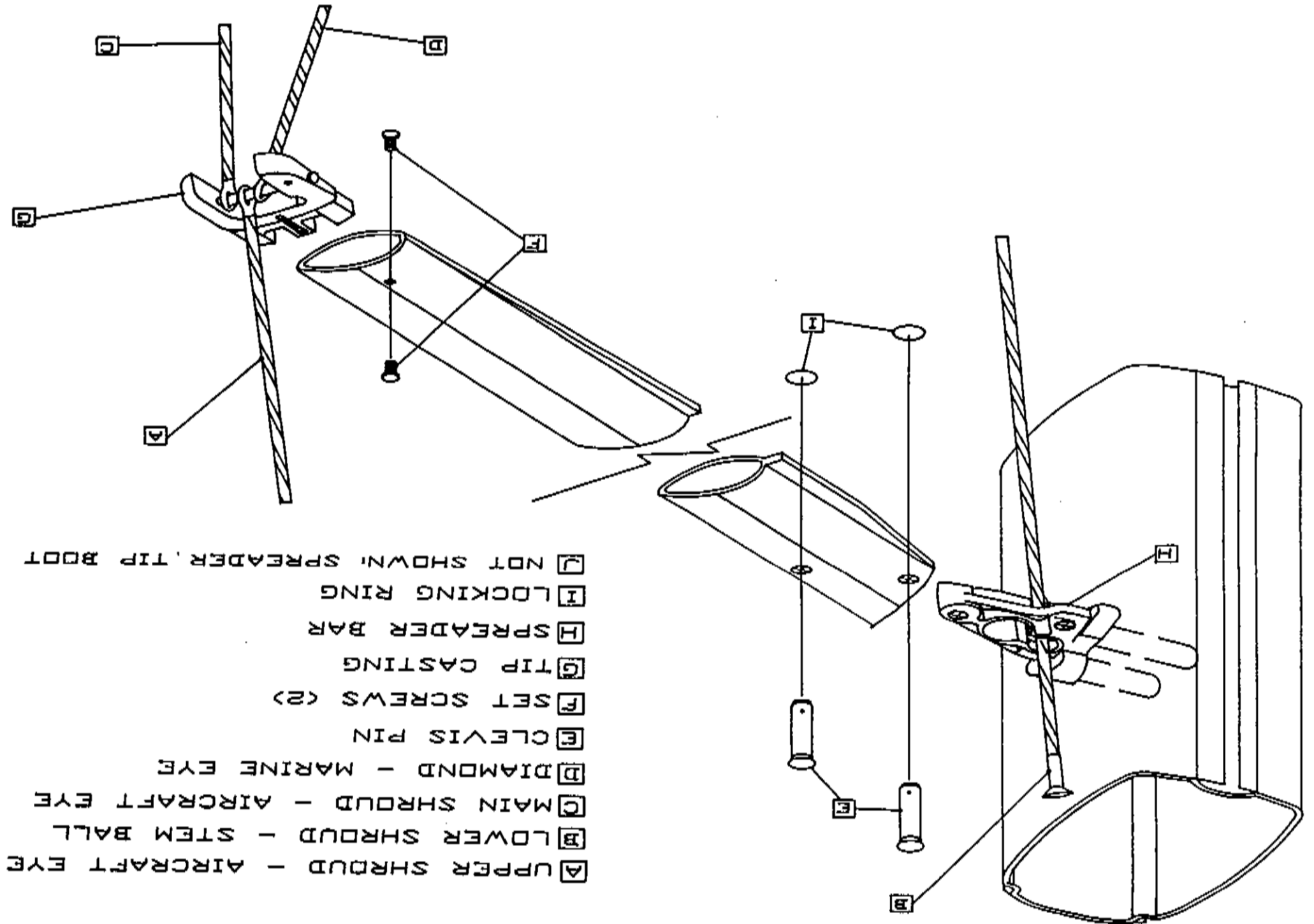
Check the mast tuning by sailing in medium winds (10-12 knots). Sometimes fine tuning the diamonds and lower shrouds is necessary when the spar is loaded in sailing conditions. Sail on both tacks, sighting up the luff groove to check athwartship straightness. When sailing with full main and jib all the leeward rigging should remain taught. When mast tuning is complete, install cotter pins in all turnbuckles and tape over sharp edges of the cotter pins with chafe tape.



HUNTER		NO NOT SCALE	
H955 MAST PRE-BEND & RAKE		REVISIONS	
DATE	BY	NO.	DESCRIPTION
5/21/94	JH		
N/A		APPROVED BY	
ADDRESS		DATE	

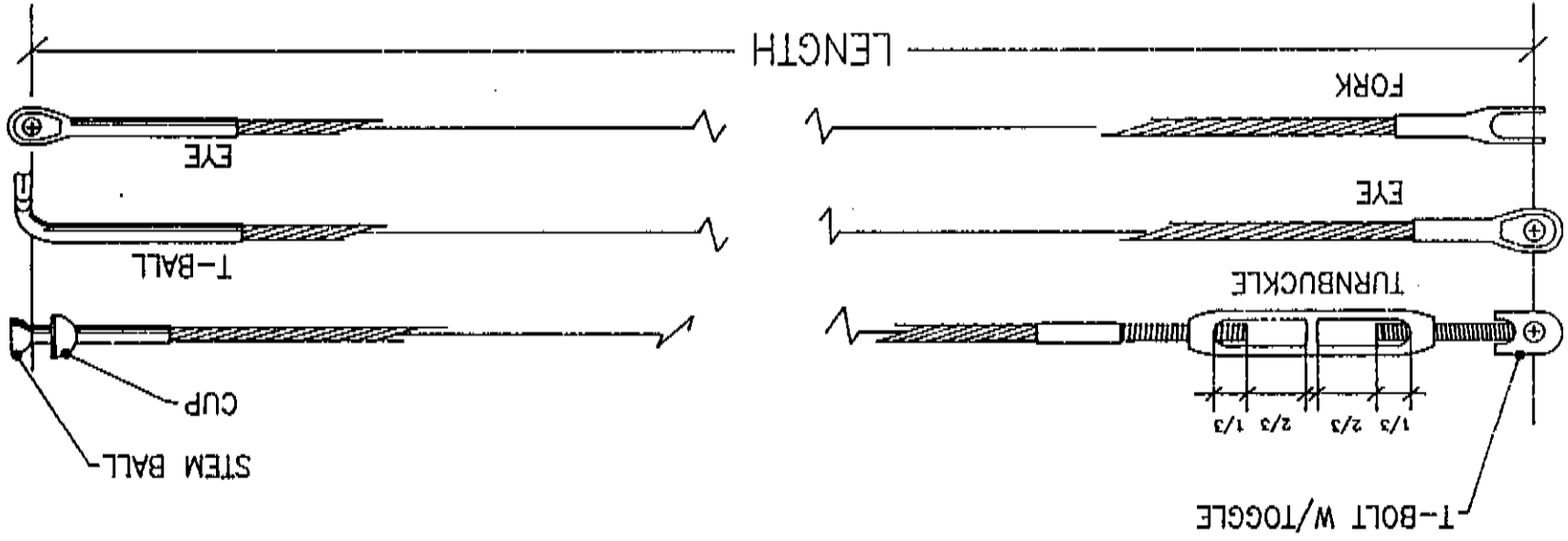


HUNTER

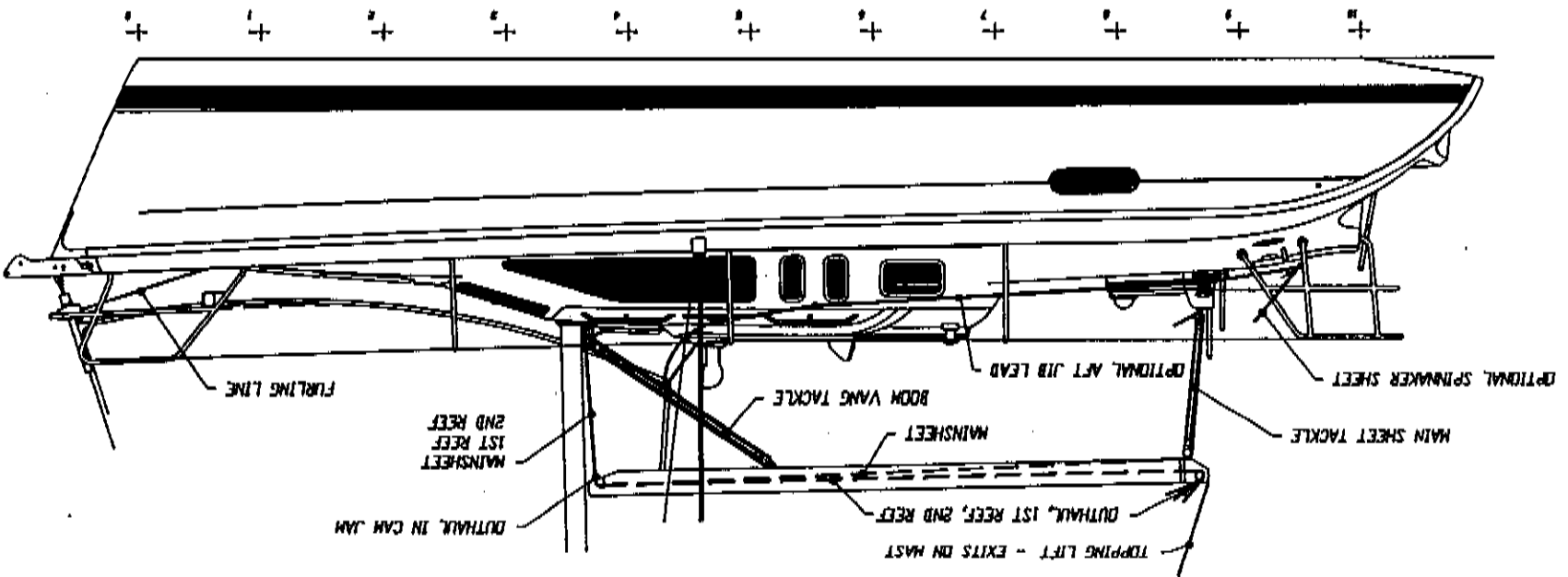
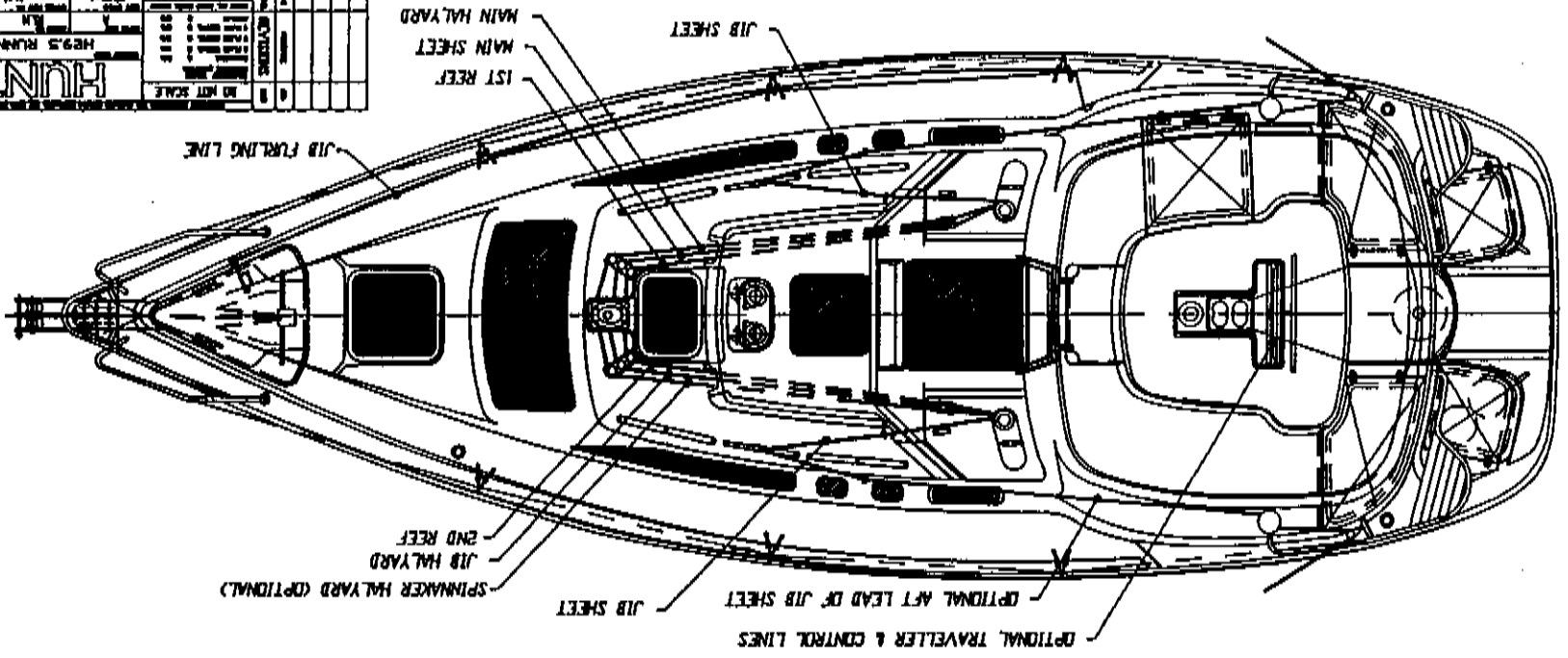


- ▲ UPPER SHROUD - AIRCRAFT EYE
- LOWER SHROUD - STEM BALL
- MAIN SHROUD - AIRCRAFT EYE
- DIAMOND - MARINE EYE
- CLEVIS PIN
- SET SCREWS (2)
- TIP CASTING
- SPREADER BAR
- LOCKING RING
- NOT SHOWN: SPREADER, TIP BOOT

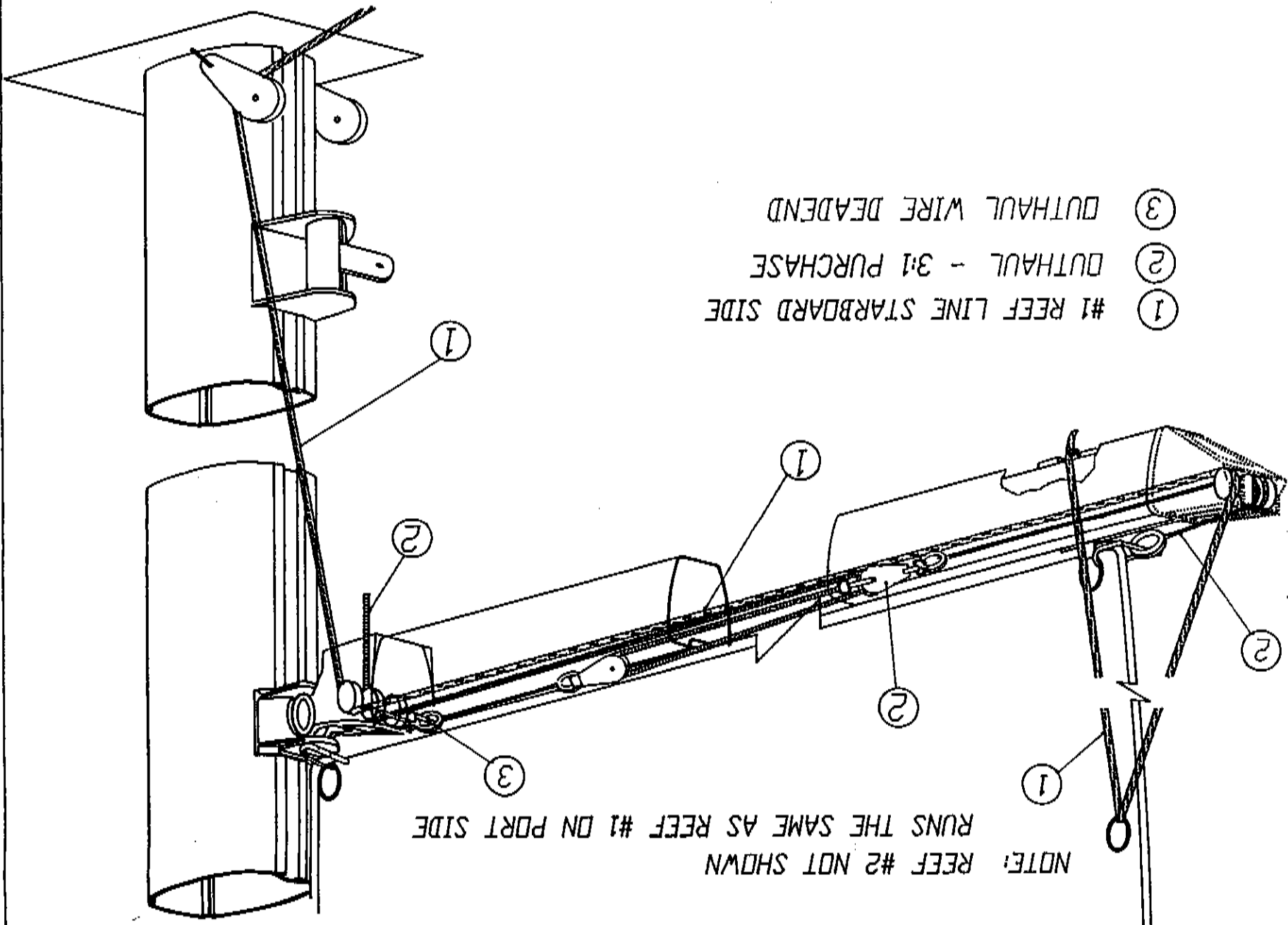
HUNTER



1	2	3	4	5	6	7	8	9	10	11	12	13	14	15	16	17	18	19	20	21	22	23	24	25	26	27	28	29	30	31	32	33	34	35	36	37	38	39	40	41	42	43	44	45	46	47	48	49	50	51	52	53	54	55	56	57	58	59	60	61	62	63	64	65	66	67	68	69	70	71	72	73	74	75	76	77	78	79	80	81	82	83	84	85	86	87	88	89	90	91	92	93	94	95	96	97	98	99	100
HUNTER										H99'S RUNNING RIGGING										NO NOT SCALE																																																																															
HUNTER										H99'S RUNNING RIGGING										NO NOT SCALE																																																																															



HUNTER



- ③ OUTHAUL WIRE DEADEND
- ② OUTHAUL - 3:1 PURCHASE
- ① #1 REEF LINE STARBOARD SIDE

NOTE: REEF #2 NOT SHOWN
 RUNS THE SAME AS REEF #1 ON PORT SIDE

HUNTER 29.5 RIGGING SPECIFICATIONS

STANDING RIGGING

FITTINGS

<u>Description</u>	<u>Wire Size</u>	<u>Upper End</u>	<u>Lower End*</u>	<u>Overall Length</u>
Forestay*	7/32"	marine eye	7-12-12 turnbuckle	35'-7 1/2" **
Uppers	1/4"	w/d.l.j. toggle stemball	w/toggle AN eye	14'-8 5/8"
Main	1/4"	AN eye	8-12-12 turnbuckle w/toggle	21'-0"
Lowers	1/4"	stemball	8-12-12 turnbuckle w/toggle	21'-0 1/2"
Diamond	3/16"	marine eye	stemball	16'-11 3/4"

All wire is 1 x 19 type 316 stainless steel.

*Includes 3" link plate

"X-X-X" represents the turnbuckle size as follows:

Wire size/body size/pin diameter in 32nd's of an inch.

Example: 7-12-12 is a turnbuckle that accepts a 7/32" wire, has a 3/8" (12/32") thread diameter in the body, and uses a 3/8" (12/32") pin.

** See H29-A-2632 "Rigging Length Standards" for details

RUNNING RIGGING (STANDARD)

<u>Line</u>	<u>Color Code</u>	<u>Size</u>	<u>Attachments</u>	<u>Overall Length</u>
Main Halyard*	Black	3/8"	Headboard shackle	93'
Jib Halyard*	Blue	3/8"	Swivel snapshackle	82'
Main Sheet	White	3/8"	B.B.E. **	80'
Jib Sheets (one piece)	White	7/16"	B.B.E.	56'
Outhaul	White	5/16"	B.B.E.	27'
1st. Reef	Green	3/8"	B.B.E.	44'
2nd. Reef	Red	3/8"	B.B.E.	56'
Furling Line	White	1/4"	B.B.E.	35'
Topping Lift	White	1/4"	B.B.E.	78'
Anchor Line	White	3/8"	Shackle	100'
Boom Vang	White	3/8"	Eye splice	25'

* XLS low stretch line

** Burned Both Ends

All other lines low stretch Dacron except anchor line which is nylon.

HUNTER 29.5 RIGGING SPECIFICATIONS

RUNNING RIGGING (OPTIONAL)

<u>Line</u>	<u>Color Code</u>	<u>Size</u>	<u>Attachments</u>	<u>Overall Length</u>
Traveller Control Line (2) D	White	5/16"	eye splice	4'-0"
Spinnaker Halyard*	White	3/8"	swivel snap shackle	86'-0"
Spinnaker Sheets (2)*	White	3/8"	swivel snap shackle	55'-0"
Spinn. Tack Line (Cruising) *	White	3/8"	snap shackle each end	4'-0"
Spinn. Tack Line (Racing) *	White	3/8"	swivel snap shackle	40'-0"
Spinn. Bobstay (Racing) * & **	White	3/8"	BBE ***	5'-0"
Pole Launch Line (Racing) *	White	3/8"	BBE	35'-0"
Pole Retraction Shock Cord (Racing) *		1/2"	BBE	12'-0"

* Dealer or Customer Supplied

** Spectra

*** Burned Both Ends

HUNTER 29.5 DECK HARDWARE LAYOUT

* OPTIONAL EQUIPMENT

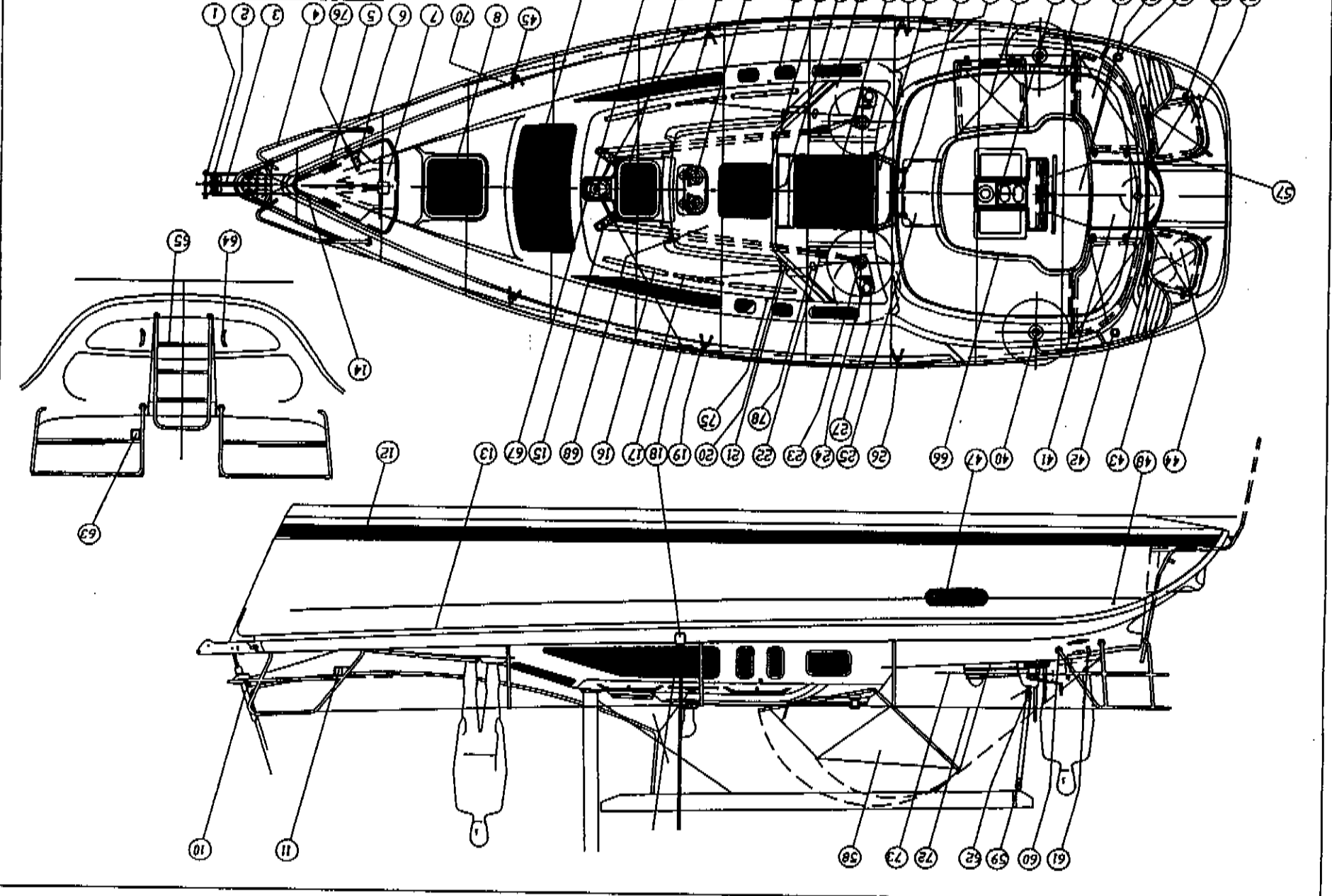
ID	QTY	PART	MFG.	MFG.#	HUNTER#
1	1	DROP NOSE PIN	KENS WELDING		HW2237
2	1	BOW ROLLER W/PIN	KENS WELDING		HW2237
3	1	ALUM BOW CASTING	CUSTOM		HW1601
4	1	BOW RAIL	SOUTH COAST		HW2347
5	2	FWD 8" ALUM CLEATS	YS		HW0975
6	2	ANCHOR LOCKER LATCH	SOUTH COAST		HW4471
7	1	FRP ANCHOR LID	HUNTER		GA270010
8	1	FORWARD HATCH	BOMAR		GCO90010
10	1	FURLING GEAR	HOOD		R10427
11	1	SIDE LIGHTS	AQUA SIGNAL		EL0365/EL0366
12	1	MOLDED BOOT TOP	HUNTER		
13	1	RUB RAIL	HUNTER		HW2453
14	1	WATER DECK FILL			PL1130
15	1	DECK ORGANIZER			HW0170
16	1	HANDRAILS			HW2445
17	1	JIB TRACK	HUNTER		HW0193
18	2	CHAINPLATES & BACKUP	KENS WELDING		HW1604
19	IPR	MIDSHIP STANCHIONS	SOUTHCOAST		HW2064
20	2	JIB SHEET FAIRLEADS			HW1072
21*	1	DODGER EXTRUSION			
22	2	ROPE CLUTCH	GAURHAUR	TRI-3/8"	HW1282
23	2	WINCHES	LEWMAR	#16 ST ALUM	HW2518
24*	2	WINCHES	LEWMAR	#16 ST ALUM	HW2518
25	1	ROPE LOCKER LID	HUNTER		GA270042
26	IPR	AFT STANCHIONS	SOUTH COAST		HW2063
27	2	SHEET CLEATS	YS		HW0980
28	1	3/8" ACRYLIC WINDSHIELD	HUNTER		PX0151
29	1	MAST STEP	Z-SPAR		RJ0509
30	1	MID-DECK HATCH	BOMAR	1040-10A	HW0120
31	IPR	FWD 1/4" ACRYLIC SIDE PORTS			PX0152/153
32	2	3" DORADE VENTS	NICRO	NF 10923	HW4857
33	4	OPENING PORTS	BOMAR		HW0052
35	1	UPPER SKYLIGHT ACRYLIC	HUNTER		HW2244
36	2	OPENING PORTS	BOMAR	7X15 ID	HW0035
37	1	COMPANIONWAY ACRYLIC	HUNTER		PX0043/44
38	1	3/8" ACRYLIC PIN BOARDS	HUNTER		HW5284/WT00110
39	IPR	PIN BOARD TRACKS	HUNTER		WT0131
40*	IPR	SPINNER WINCHES	LEWMAR	#30 ST	HW2519
41		FRP HELM SEAT	HUNTER		GA270190
42	1	FUEL DECK FILL			PL0520
43	2	STERN RAIL SEAT	HUNTER		GFC8XV02/03
44*	1	PROPANE LOCKER	HUNTER FRP		GA270205
45	IPR	FWD STANCHIONS	SOUTH COAST		HW2065
47	2	FIXED 3/8" LEXAN PORTS	HUNTER		PX0144
48	2	TANK VENTS (P&S)			PL0520
49	1	FRP EURO SEAT & BUMPERS	HUNTER		GA270070
50	1	STEERING CONSOLE	HUNTER		GA270105
51	1	ENGINE PANEL	YANMAR		EL0111

HUNTER 29.5 DECK HARDWARE LAYOUT - Continued

ID	QTY	PART	MFG.	MFG.#	HUNTER#
52	IPR	FRP GULL WING LOCKERS	HUNTER		GA270180/185
53	1	FRP QUAD COVER	HUNTER		GA270085
54	1	WASTE TANK DECK FITTING			PL1140
55	I2	COCKPIT LOCKER HINGES			HW4250
56	IPR	SWIM SEATS	HUNTER		GA270195
57	2	SWIM SEAT LATCHES RUBBER TYPE			HW4358
58*	1	DODGER			
59	1	UPPER MAINSHEET BLOCK	SCHAFFER	SCH. 05-43	HW0281
60	2	AFT MOORING CLEATS 8" ALUM			HW0975
61	2	GULL WING LATCHES			HW4358
62	1	LOWER MAINSHEET BLOCK	SCHAFFER	SCH. 22-65	HW0282
63	1	STERN LIGHT	AQUA SIGNAL		EL0390
64	2	SWIM HANDLES	SOUTH COAST		HW2404
65	1	SWIM LADDER	SOUTH COAST		HW2160
66	1	COCKPIT PORT	BOMAR	4X12	HW0037
67	1	MAST PLATE & COMP. POST	KENS WELDING		RI0578
68	1	FRP SEA HOOD	HUNTER		GC030200
69	1	LOWER SKYLIGHT ACRYLIC	HUNTER		PX044
70	2	FURLING FAIRLEADS	SCHAFFER	SCH. 78-02	HW0268
71	1	FURLING CLEAT	SCHAFFER	SCH. 60-14 4"	HW0985
72	2	UPPER LIFE LINES	SEACO SOUTH		RI1234
73	2	LOWER LIFE LINES	SEACO SOUTH		
75*	2	AFT SHEET LEAD BULLSEYES			
76	2	FURLING BLOCKS	SCHAFFER	SCH. 200-32	HW0269
77	1	STERN RAIL	SOUTH COAST		HW2255
78	2	CLAM JAMS	NICRO	NE-10557	HW
79	1	BOOM VANG	SCHAFFER		

* OPTIONAL EQUIPMENT - SUPPLIED BY FACTORY, DEALER OR CUSTOMER

NO NOT SCALE		REVISED	
NO	DATE	BY	REASON
1			
2			
3			
4			
5			
6			
7			
8			
9			
10			
11			
12			
13			
14			
15			
16			
17			
18			
19			
20			
21			
22			
23			
24			
25			
26			
27			
28			
29			
30			
31			
32			
33			
34			
35			
36			
37			
38			
39			
40			
41			
42			
43			
44			
45			
46			
47			
48			
49			
50			
51			
52			
53			
54			
55			
56			
57			
58			
59			
60			
61			
62			
63			
64			
65			
66			
67			
68			
69			
70			
71			
72			
73			
74			
75			
76			
77			
78			
79			
80			
81			



HUNTER
H29'S DECK HARDWARE

HUNTER 29.5 SPINNAKER OPTIONS

The swept back shrouds and spreaders prevent the boom from being eased as much down wind as on more conventional rigs. Therefore, the 29.5 should not sail directly downwind, but should instead "tack" downwind by gybing from broad reach to broad reach. This will also help to prevent the jib from being blanketed by the large main.

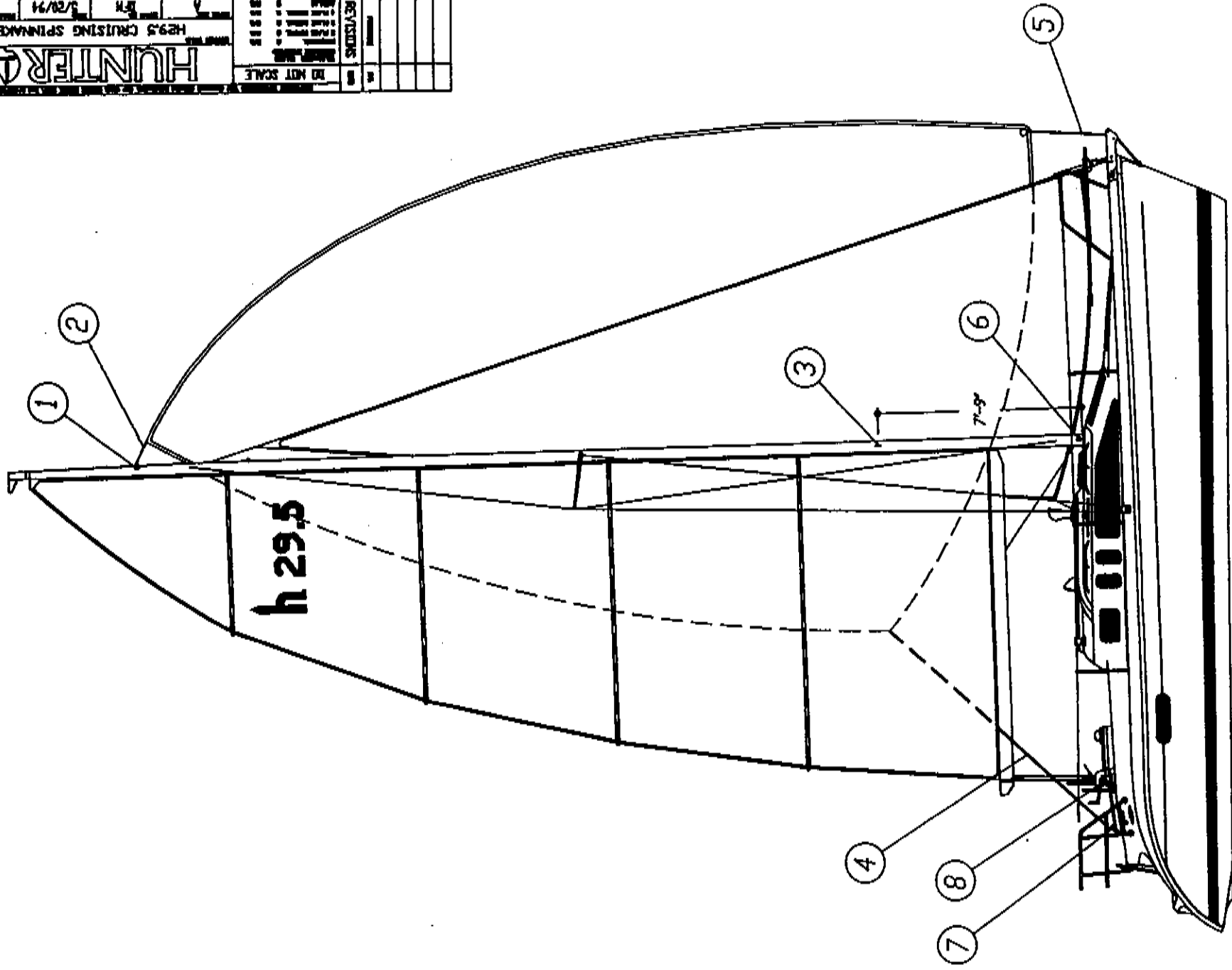
"Tacking" downwind is also much safer, since the boat is more stable and has much less chance of being caught "by the lee" and being exposed to an accidental gybe or broach.

This need to "tack" downwind makes the 29.5 ideally suited to the use of the new asymmetrical spinnakers. These spinnakers are flown like large jibs and do not require conventional spinnaker poles with their inherent and complicated topping lifts, foreguys, after guys, and resultant high mast loadings. For these reasons, we do not recommend the use of a conventional spinnaker and pole without first consulting Hunter Marine.

The asymmetrical spinnaker on the 29.5 can be rigged in a "Cruising" configuration as illustrated in Dwg. #H29-A-2652 where the spinnaker tack is flown from a tack line secured to the "U" bolt on the bow and passing over the bow roller. In this configuration, at the majority of sailing angles, the jib must be furled to allow clear air flow to the spinnaker. If not, the spinnaker will be more difficult to fly. The weather sheet should be lead outside the luff of the spinnaker so the sail will fly downwind when gybing. To ease handling of the sail a "snuffer" or "spinnaker sally" can be used. Talk to your local sailmaker about the best system for your needs and the optimum size of spinnaker. The cutout details for the halyard hardware is shown on dwg#H29-A-2658.

A more performance oriented option is illustrated in dwgs H29-A-2653, 2633 & 2634 showing the "Racing" option incorporating a retractable aluminum spinnaker pole housed in the anchor locker and running on an anchor roller. Obviously to utilize this option the anchor and rode must be removed from the locker, although the port roller is still available for anchoring.

HUNTER		H29.5 CRUISING SPINAKER		DATE: 5/20/94		BY: N/A		REVISED: N/A		DRAWN BY: H29A052	
NO NOT SCALE											
REVISIONS											
NO. 1											
NO. 2											
NO. 3											
NO. 4											
NO. 5											
NO. 6											
NO. 7											
NO. 8											
NO. 9											
NO. 10											
NO. 11											
NO. 12											
NO. 13											
NO. 14											
NO. 15											
NO. 16											
NO. 17											
NO. 18											
NO. 19											
NO. 20											
NO. 21											
NO. 22											
NO. 23											
NO. 24											
NO. 25											
NO. 26											
NO. 27											
NO. 28											
NO. 29											
NO. 30											

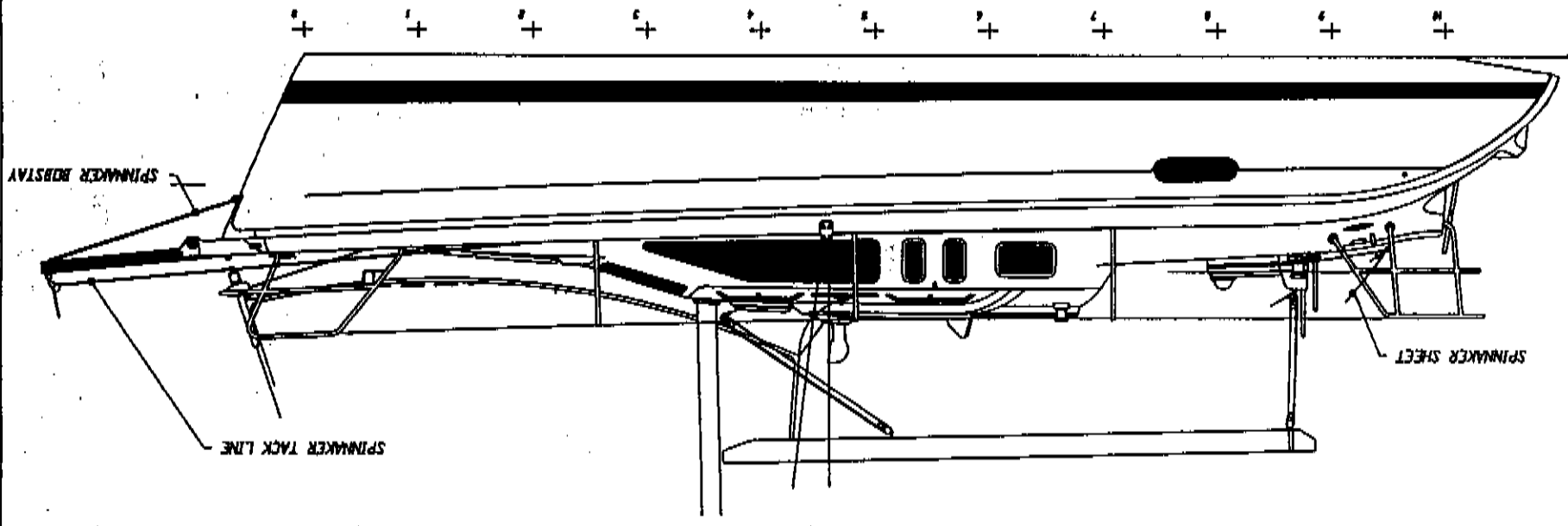
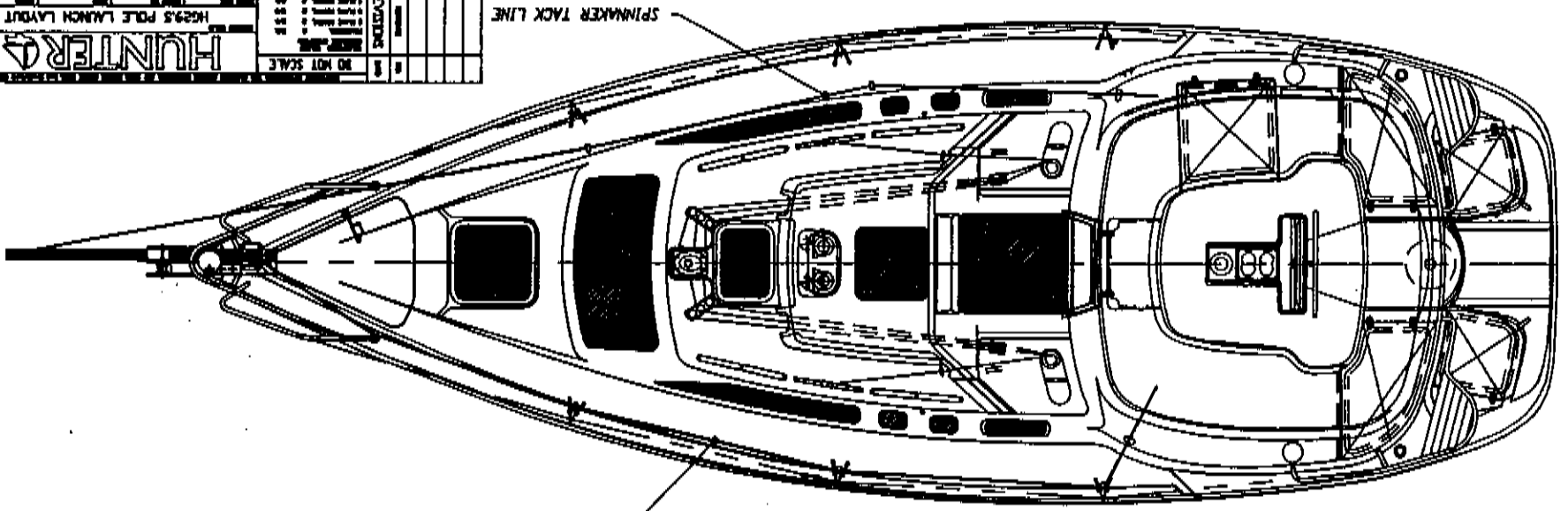


- #1. HALYARD SHEAVE - ISOMAT
- #2. HALYARD - 3/8" BRAIDED DACRON
- #3. HALYARD EXIT (PORT SIDE) - ISOMAT
- #4. SHEETS (2) - 3/8" BRAIDED DACRON

- #5. TACK LINE - 3/8" BRAIDED DACRON
- #6. HALYARD DECK BLOCK (PORT SIDE) - ISOMAT
- #7. SHEET BLOCK - SCHAEFFER DS-15
- #8. SHEET WINCHES - LEWMAR #30 ST

SEE HUNTER 29.5 RIGGING SPECIFICATIONS FOR MORE DETAILS
 SEE INSTALLATION INSTRUCTIONS

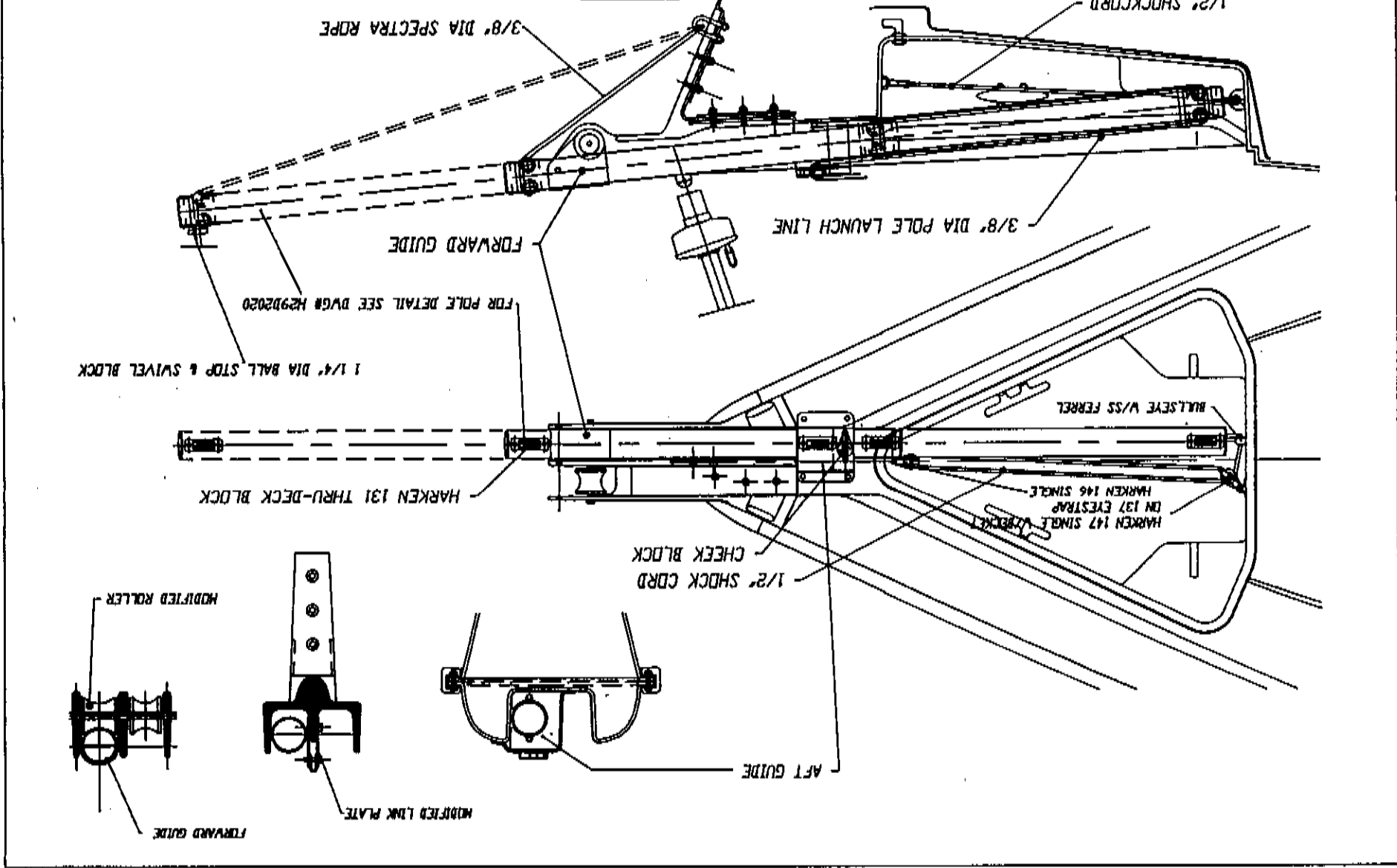
REVISED		DATE	BY	REVISION
1				
NO HOT SCALE				
HUNTER				
HGG'S POLE LAUNCH LAYOUT				
DATE		BY	REVISION	
1/21/74				
NAME				
N/A				
REVISED		DATE	BY	REVISION
1/21/74				
NAME				
N/A				

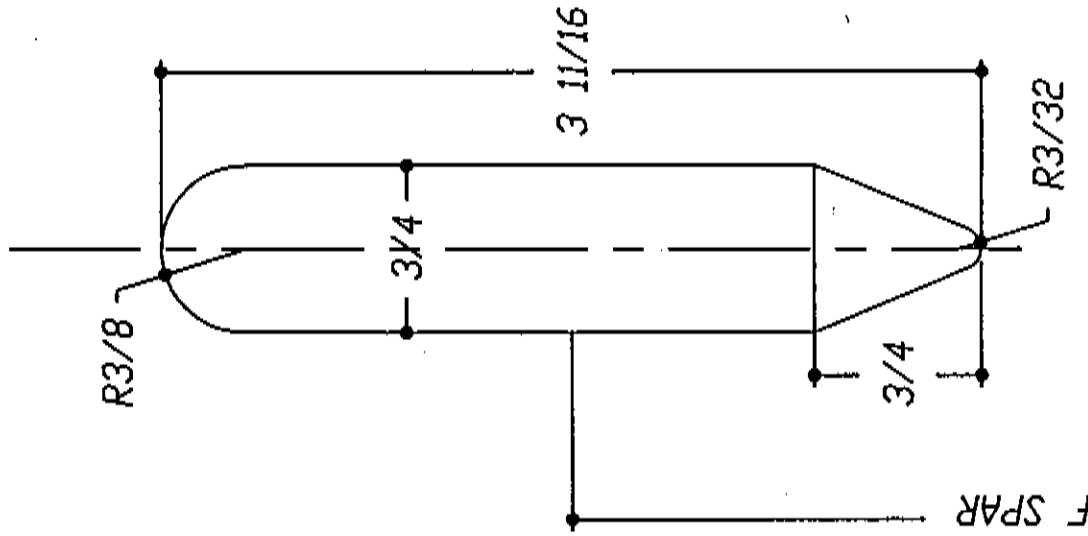


REVISIONS		DATE	BY	APP'D
1	PLACE REVISION 1	N/A		
2	PLACE REVISION 2	N/A		
3	PLACE REVISION 3	N/A		
4	PLACE REVISION 4	N/A		
5	PLACE REVISION 5	N/A		
6	PLACE REVISION 6	N/A		
7	PLACE REVISION 7	N/A		
8	PLACE REVISION 8	N/A		
9	PLACE REVISION 9	N/A		
10	PLACE REVISION 10	N/A		

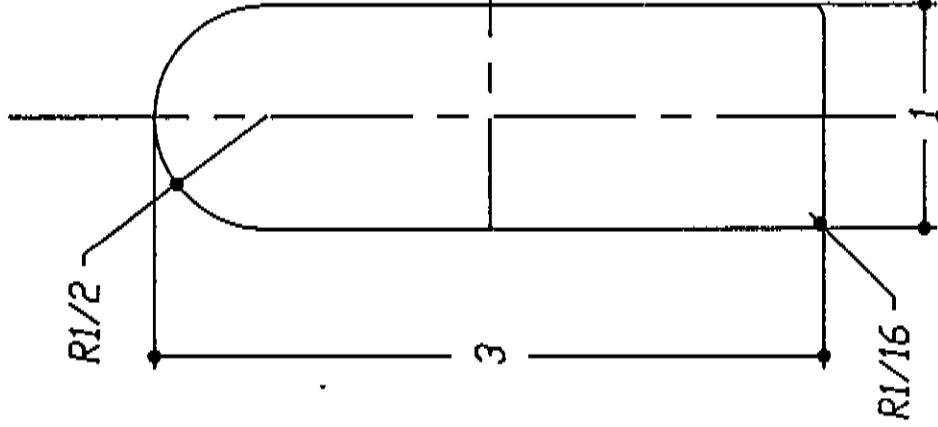
DO NOT SCALE	DATE	BY	APP'D
HUNTER'S			
H29'S POLE LAUNCH DETAIL			
REVISED BY	DATE	BY	APP'D
RLM	22 JAN/94		
ISSUED BY	DATE	BY	APP'D
N/A	N/A		
SCALE			
NONE			
PROJECT NO.	0416-1		
REVISED BY			
DATE			
BY			
APP'D			

h29a2633





HALYARD EXIT CUTOUT



HALYARD SHEAVE BOX CUTOUT

SHEAVE PIN 35' ABOVE FORESTAY FITTING

SPINNAKER HALYARD MAST CUTOUTS

DO NOT SCALE		HUNTER		H29.5 SPINN. MAST CUT-OUTS		S/20/94		N/A		H29A2658	
REVISIONS		DATE		BY		CHECKED		APPROVED		DRAWN	
1											
2											
3											
4											
5											
6											
7											
8											
9											
10											
11											
12											
13											
14											
15											
16											
17											
18											
19											
20											
21											
22											
23											
24											
25											
26											
27											
28											
29											
30											
31											
32											
33											
34											
35											
36											
37											
38											
39											
40											
41											
42											
43											
44											
45											
46											
47											
48											
49											
50											