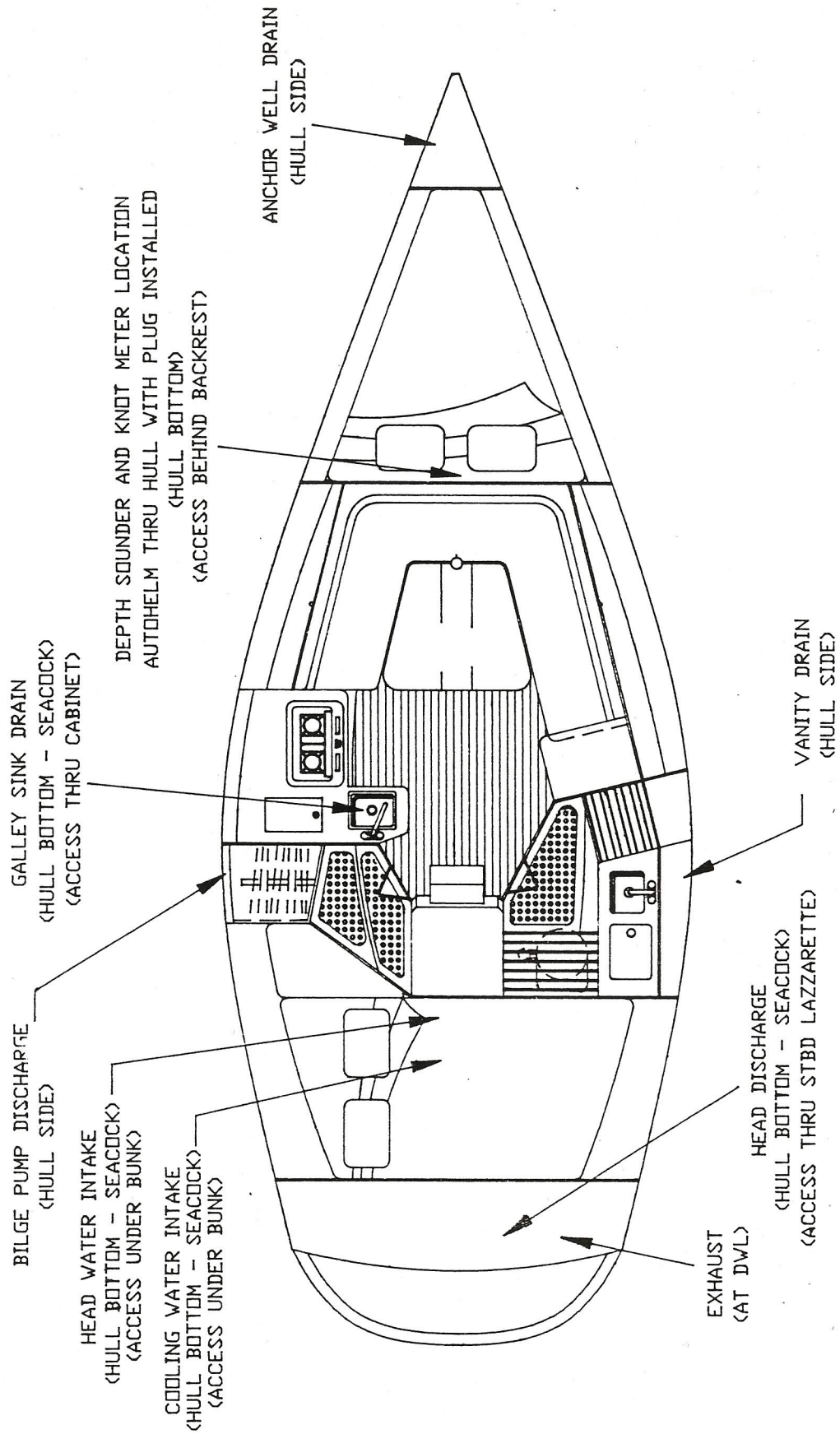


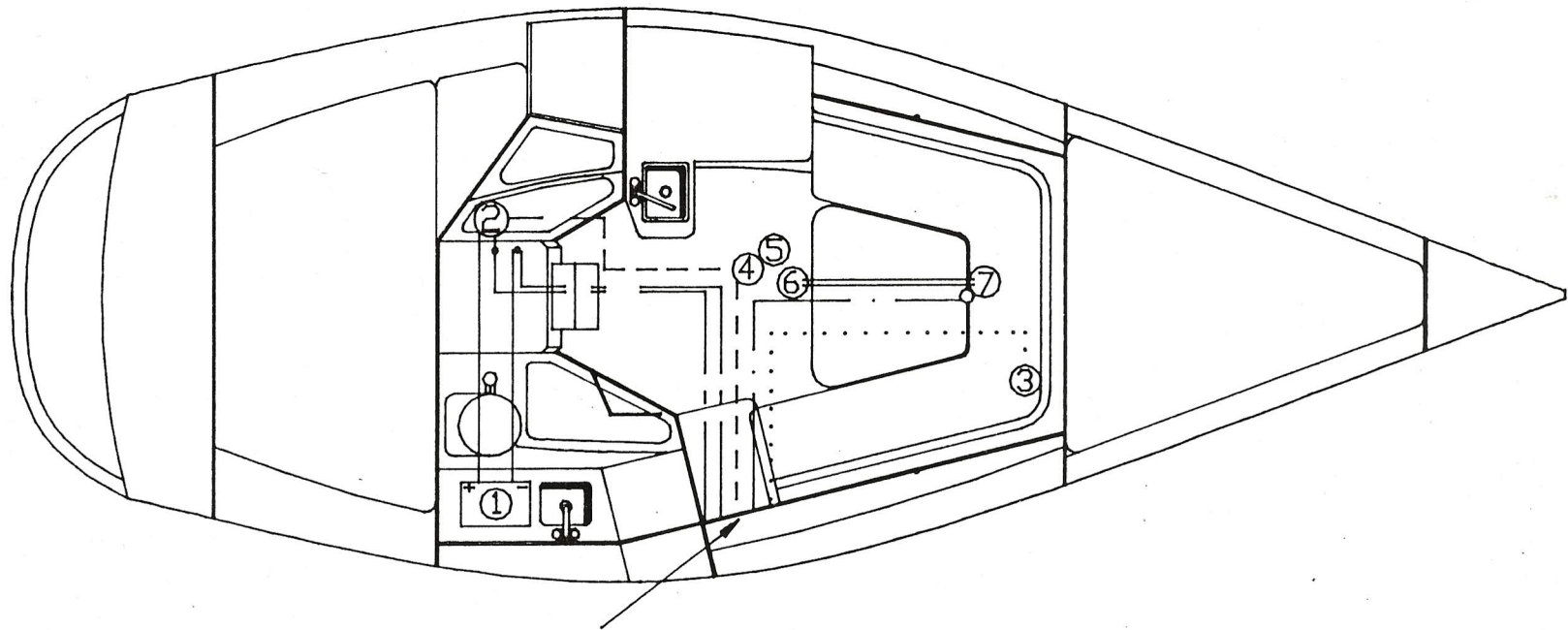
HUNTER

H28 INTERIOR PLAN H282607A



# HUNTER

H28 THRU-HULL LDC'S H282618A



ELECTRICAL PANEL

LEGEND

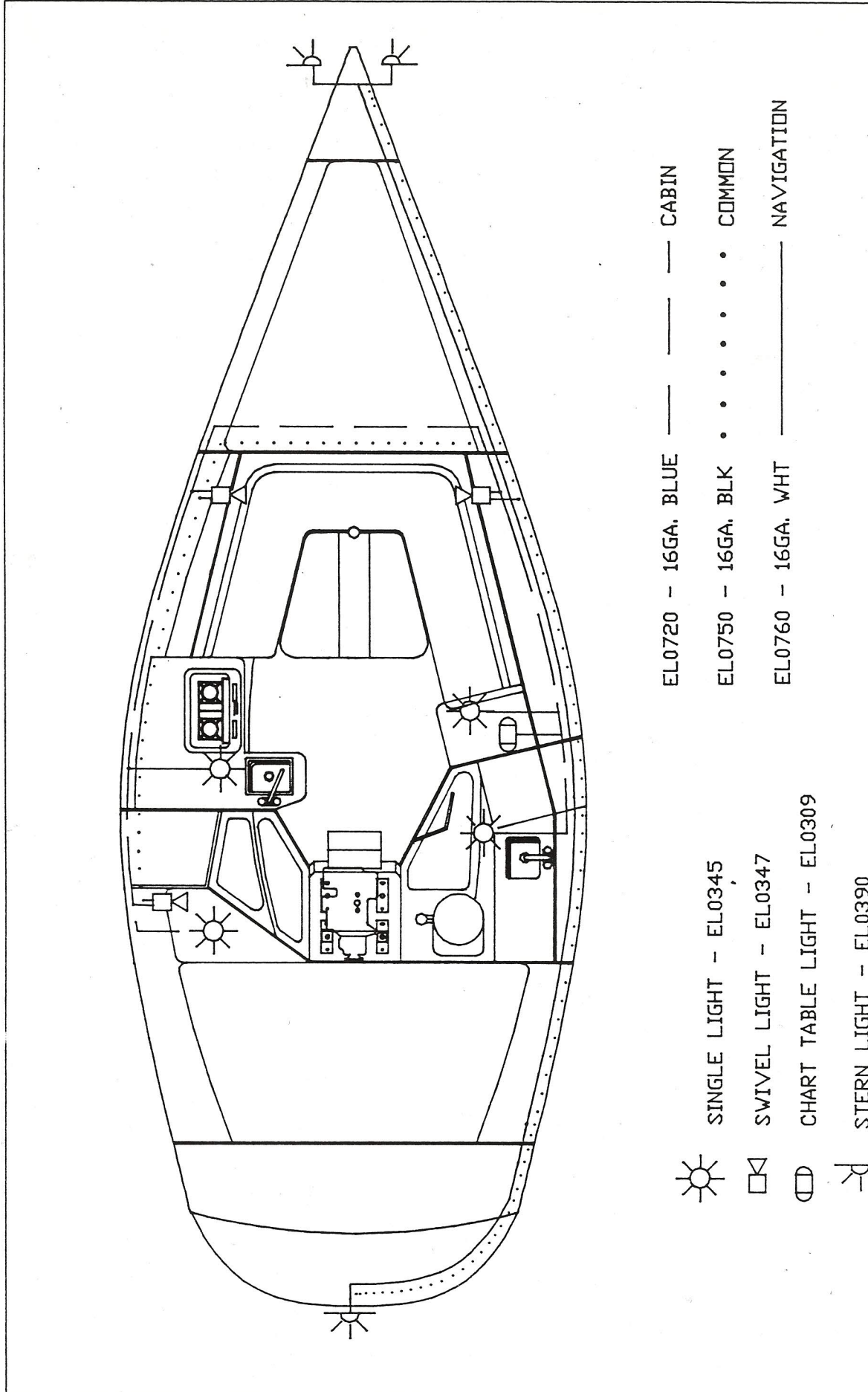
- ① BATTERY 72 AMP
- ② SELECTOR SWITCH
- ③ WATER PUMP
- ④ FLOAT SWITCH
- ⑤ BILGE PUMP
- ⑥ GROUNDING PLATE
- ⑦ MAST POST

LINE LEGEND

- 1/0 BLK & RED BATTERY CABLE
- 16GA. GRN, PURP, RED, & WHT WIRES (MAST LIGHTS)
- 12GA. BRN & BEIGE WIRES (BILGE PUMP)
- 10GA. BLK & RED WIRES (PANEL FEED)
- ==== 8GA. BLK WIRE (MAST & CHPL GROUND)
- ..... 12GA. RED & BLK WIRES (WATER PUMP)

HUNTER 

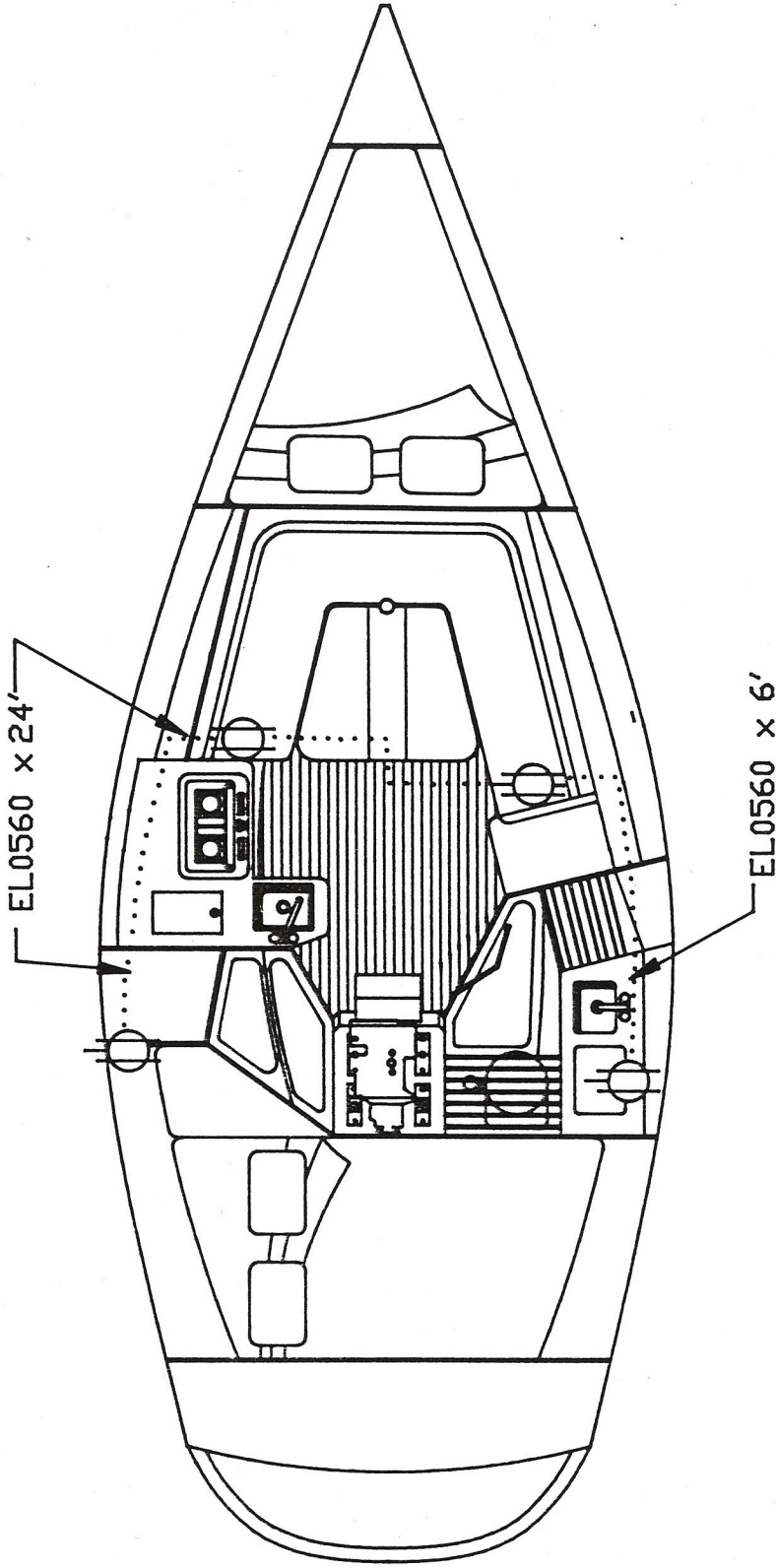
H28 PAN SCHEMATIC H282603A



EL0720 - 16GA. BLUE ——— CABIN  
 EL0750 - 16GA. BLK . . . . . COMMON  
 EL0760 - 16GA. WHT ——— NAVIGATION

☀ SINGLE LIGHT - EL0345  
 ☐ SWIVEL LIGHT - EL0347  
 ◻ CHART TABLE LIGHT - EL0309  
 ⌞ STERN LIGHT - EL0390  
 ⌞- BOW LIGHT - STB'D - EL0365  
 ⌞- BOW LIGHT - PORT - EL0366

**HUNTER**  
 H28 HEADLINER SCHEMATIC H282602A



LEGEND

EL0560-14/3BC . . . . .

EL0060-RECEPTACLES  $\Phi$

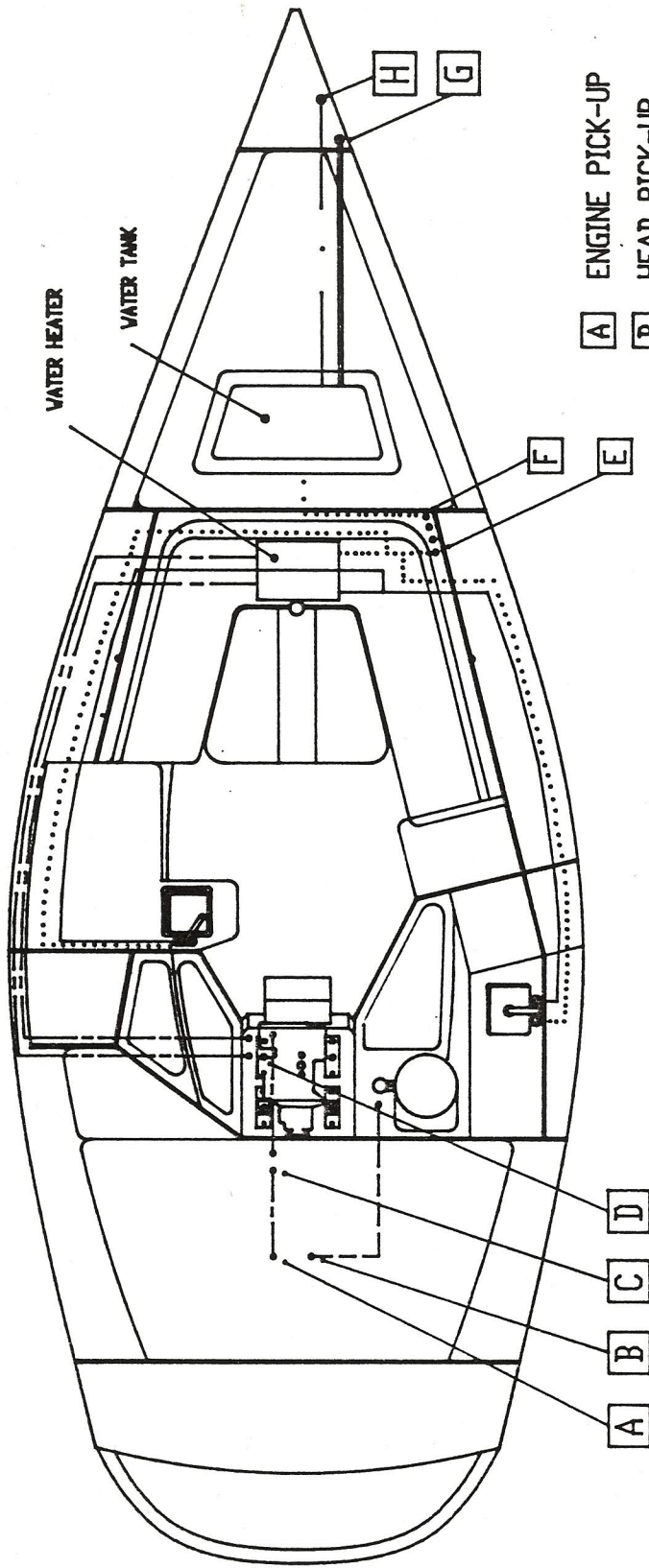
NOTES:

SHORE POWER CONNECTOR IN COCKPIT SEAT LOCKER

SHORE POWER CORD STORAGE IN STBD LAZZARETTE

# HUNTER

H28 110V SCHEMATIC H282604A

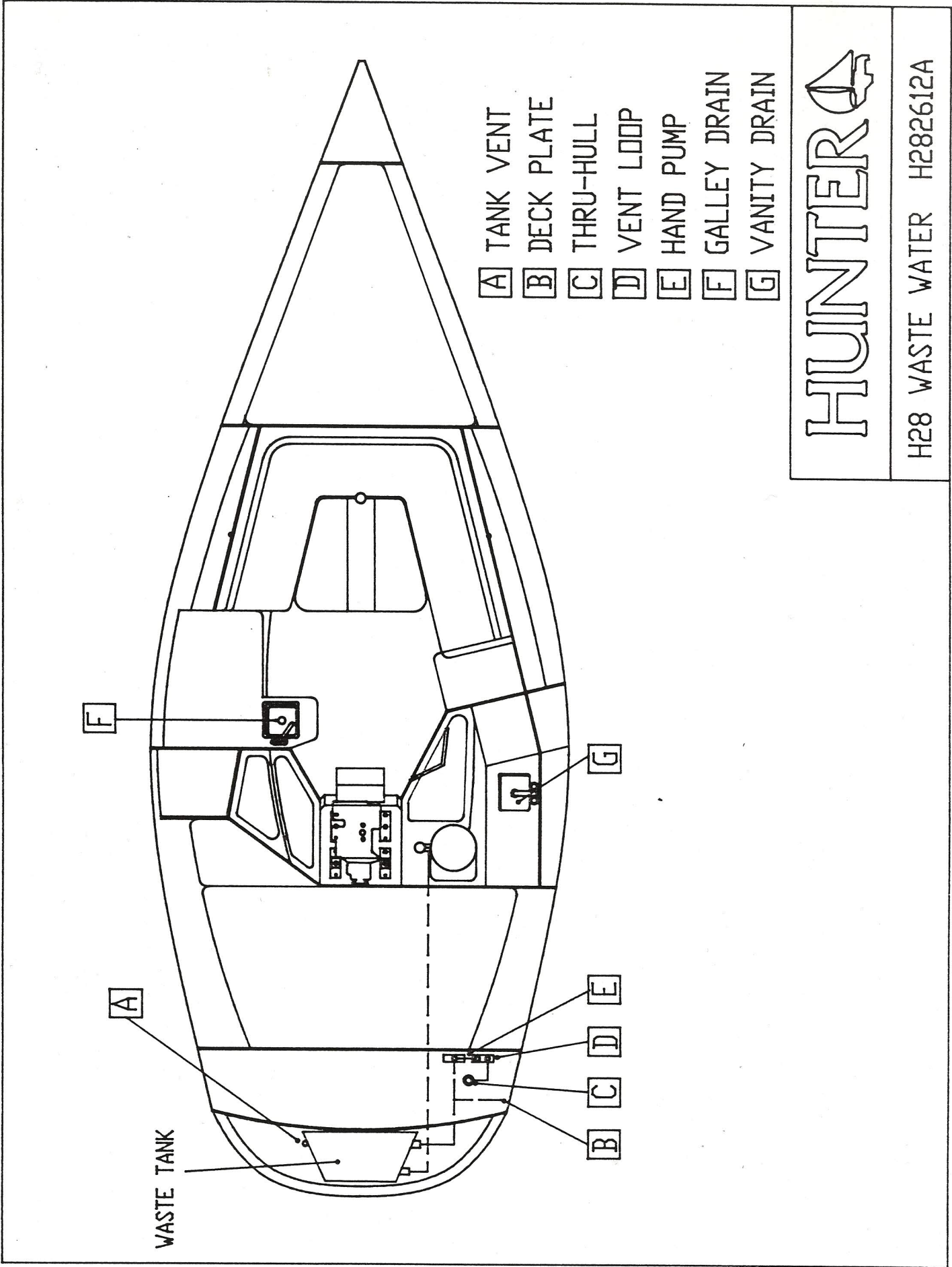


- A** ENGINE PICK-UP
- B** HEAD PICK-UP
- C** ENGINE STRAINER
- D** HEAT EXCHANGER
- E** WATER PUMP
- F** PUMP STRAINER
- G** TANK VENT
- H** TANK FILL

PL1405	_____	3/4" WATER
PL1527	_____	5/8" SHIELD/FLEX
PL1825	_____	1/2" POLY HOT
PL1825	.....	1/2" POLY COLD
PL1440	_____	1 1/2" SHIELD/VAC
PL1450	_____	3/4" SHIELD/VAC

# HUNTER

H28 WATER SUPPLY H282611A

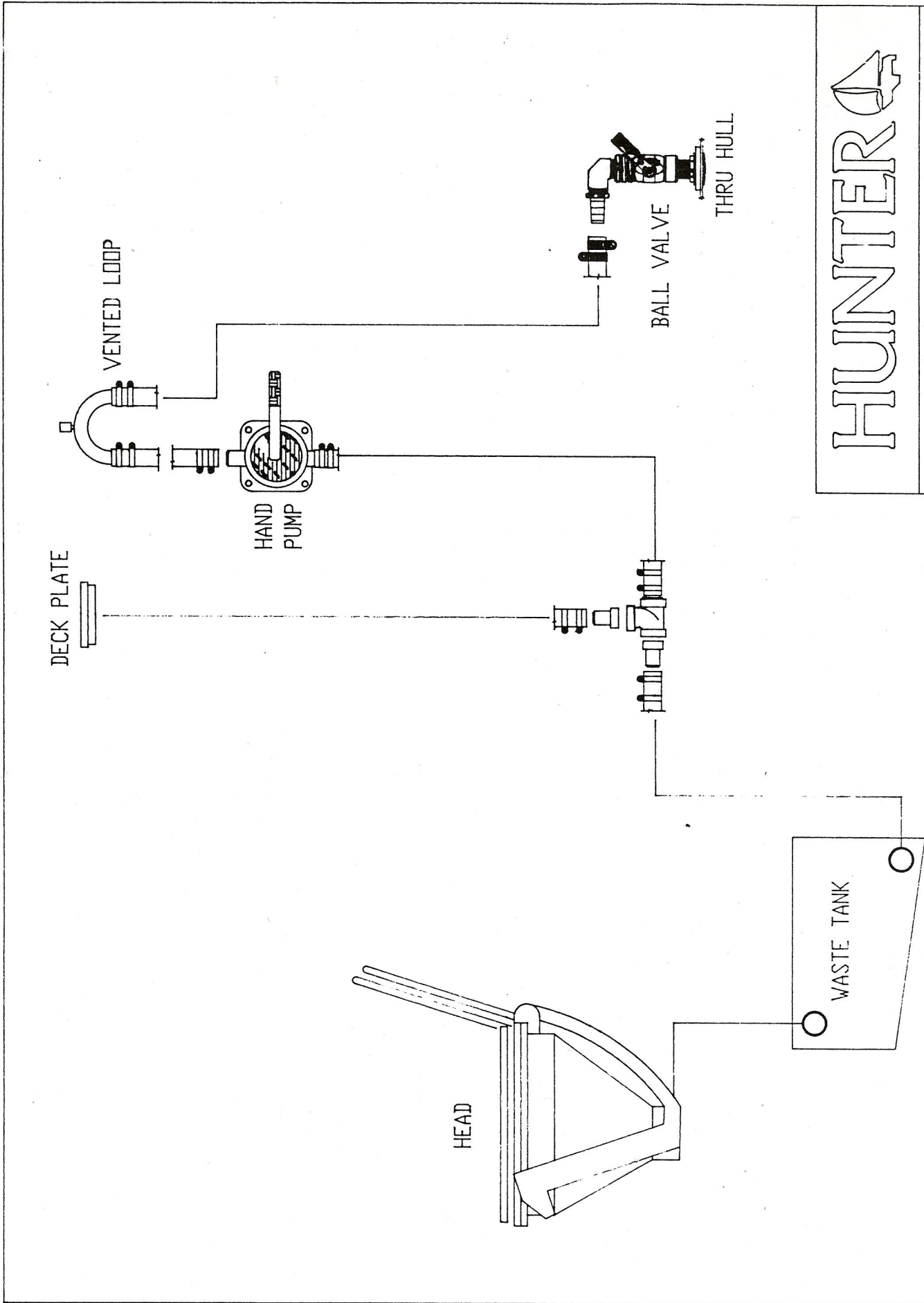


WASTE TANK

- A** TANK VENT
- B** DECK PLATE
- C** THRU-HULL
- D** VENT LOOP
- E** HAND PUMP
- F** GALLEY DRAIN
- G** VANITY DRAIN

# HUNTER

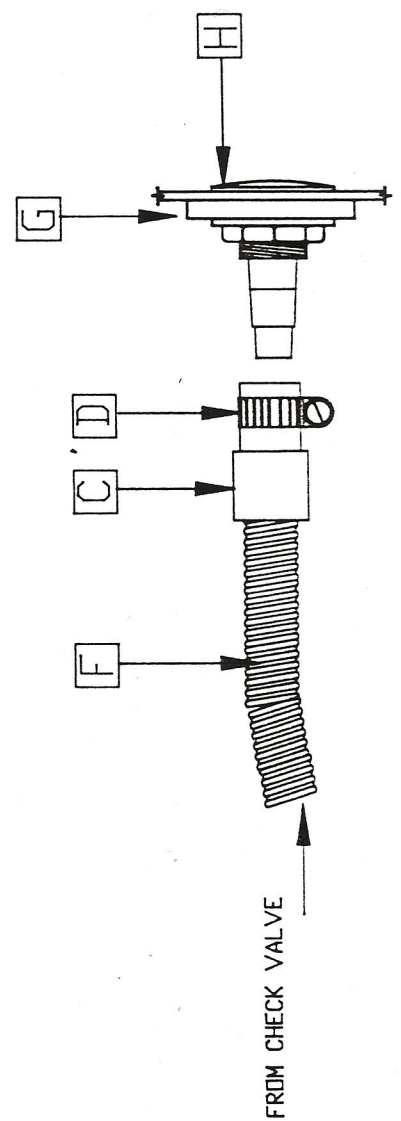
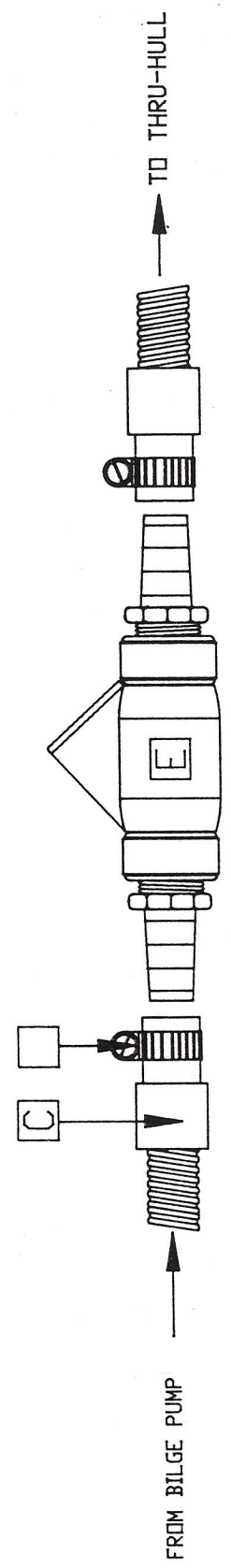
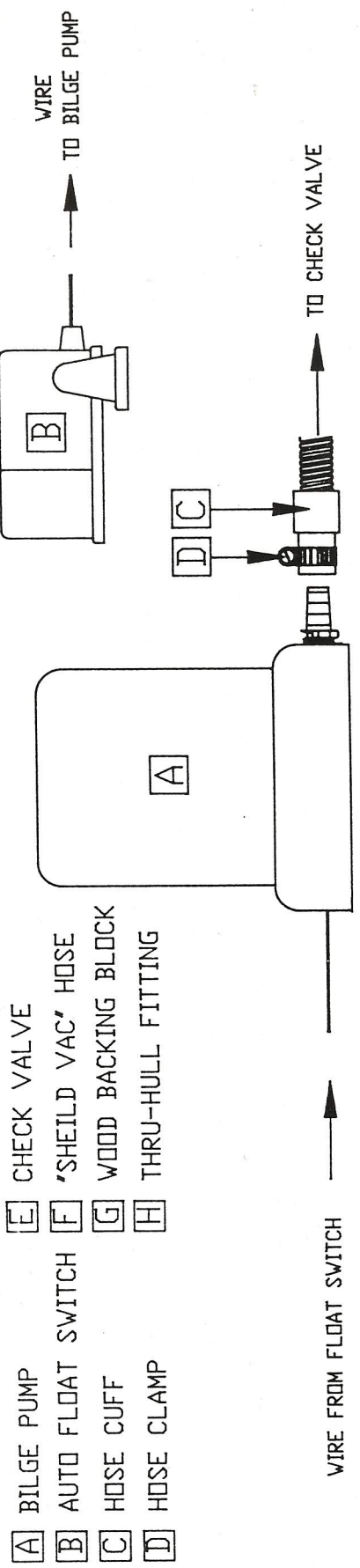
H28 WASTE WATER H282612A



# HUNTER

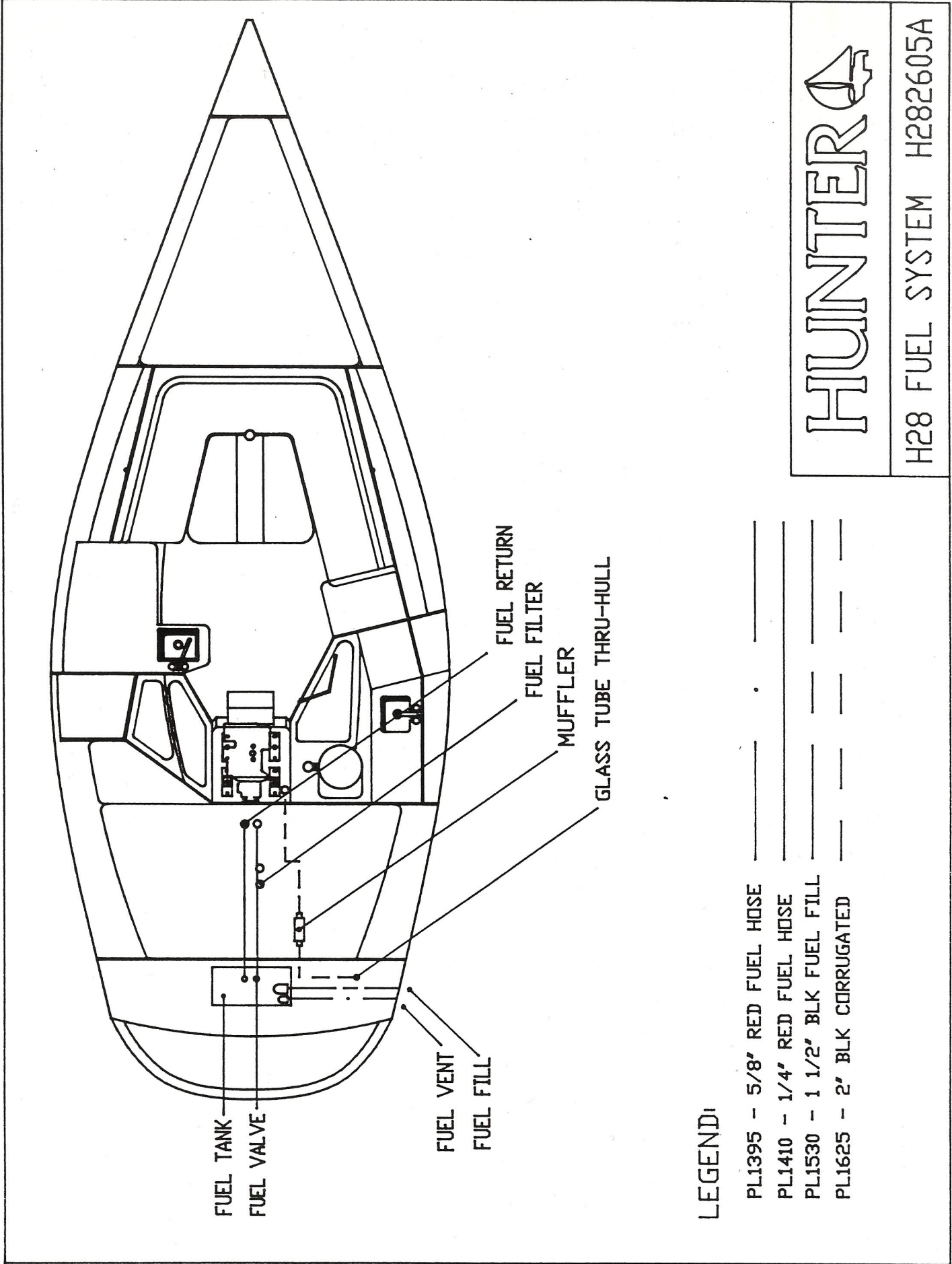
HEAD PLUMBING DIA. GENA2620





**HUNTER**

AUTO BILGE PUMP LAYOUT GEN2613A



LEGEND:

- PL1395 - 5/8" RED FUEL HOSE \_\_\_\_\_
- PL1410 - 1/4" RED FUEL HOSE \_\_\_\_\_
- PL1530 - 1 1/2" BLK FUEL FILL \_\_\_\_\_
- PL1625 - 2" BLK CORRUGATED \_\_\_\_\_

# HUNTER

H28 FUEL SYSTEM H282605A

## HUNTER 28 LIGHT BULB SPECIFICATIONS

Your Hunter 28 has eight interior lights, three navigation lights and two lights on the mast.

<u>LIGHT</u>	<u>REPLACEMENT BULB</u>
Dome	#1572 and Wagner #S8-1141
Swivel	#1831 and Wagner #S8-1073
Chart	Aqua Signal #90400282
Red bow	Osram 12V #6411, 24V #6429 Philips 12V #12866, 24V #13866
Green bow	same as above
Stern	same as above
Running	Victor #211-2
Anchor	Aqua Signal #90400200

PUMPS, STRAINERS, FILTER

<u>Component</u>	<u>Manufacturer and part number</u>
Bilge pump	Rule 800 or Mayfair 800
Waste pump (manual)	ITT Jabsco #142M
Water pump	ITT Jabsco Flo-Jet #4405-143
Strainer for pressure water	ITT Jabsco #364-00
Strainer for engine	1/2" Perko #493-4
Fuel filter	Racor #110