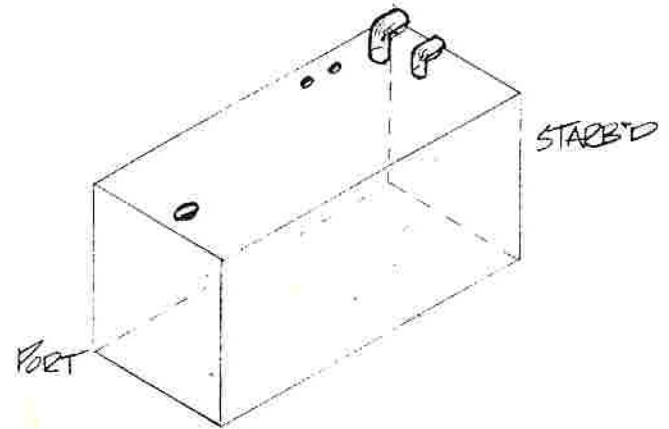
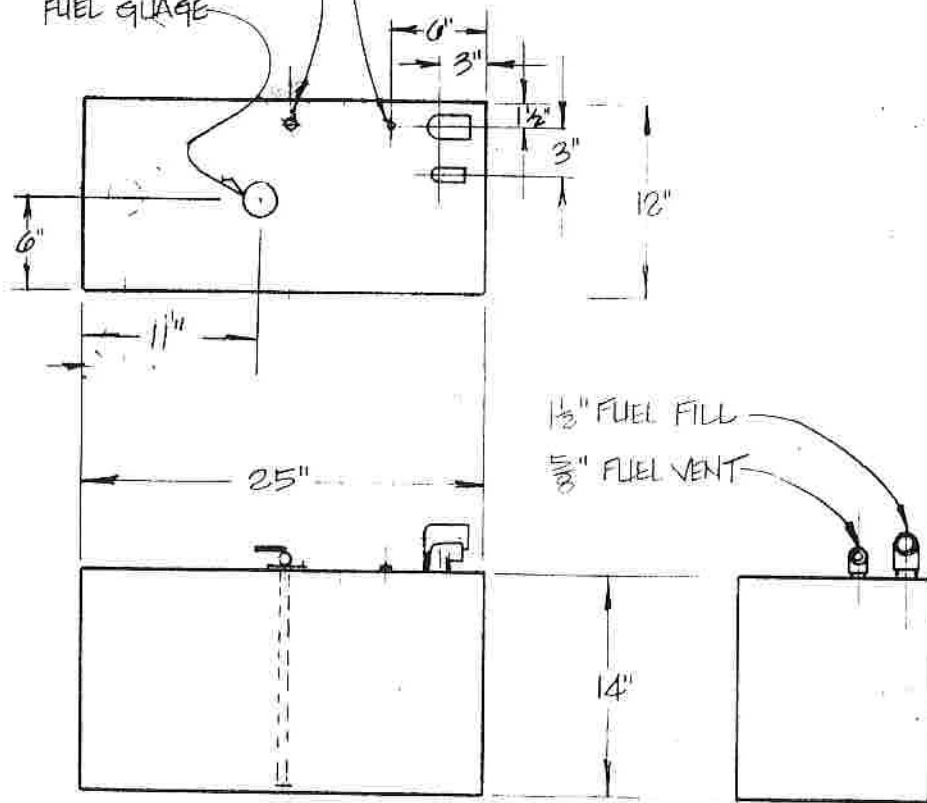


FUEL RETURN
W/ SHUTOFF VALVE
FUEL FEED W/ VALVE

FUEL GAUGE



NOTES: OF VARIOUS APP. PLASTIC
 MATERIAL: 6061-T6 OR 5050
 ALUMINUM
 CAPACITY: 18 GAL. APPROX.
 IMPORTANT: BAFFLE TANK IN
 ACCORD: W/ U.S.C.G. REG'S.
REVISION: MOVED P.V TO & GENE 9.14.88
 MOVE GAUGE TO PORT GENE 1-10.
 NO LONGER USED ON H30
 RELOCATED FUEL GAUGE LIVING ROOM

HUNTER MARINE

SCALE: 1" = 1'-0"

DATE: 2-17-88

DRAWN: PETE
 PL 1215 - 356811

FRENCH BOATS ONLY: ALL TANKS ONLY
 ADD BAFFLE F. MAX 400MM AT VARTSHIPS
 BETWEEN BAFFLE WALLS
 P.# PL1216

H28-30 FUEL TANK | DWG# 30A1902