

27
SCHEMATICS

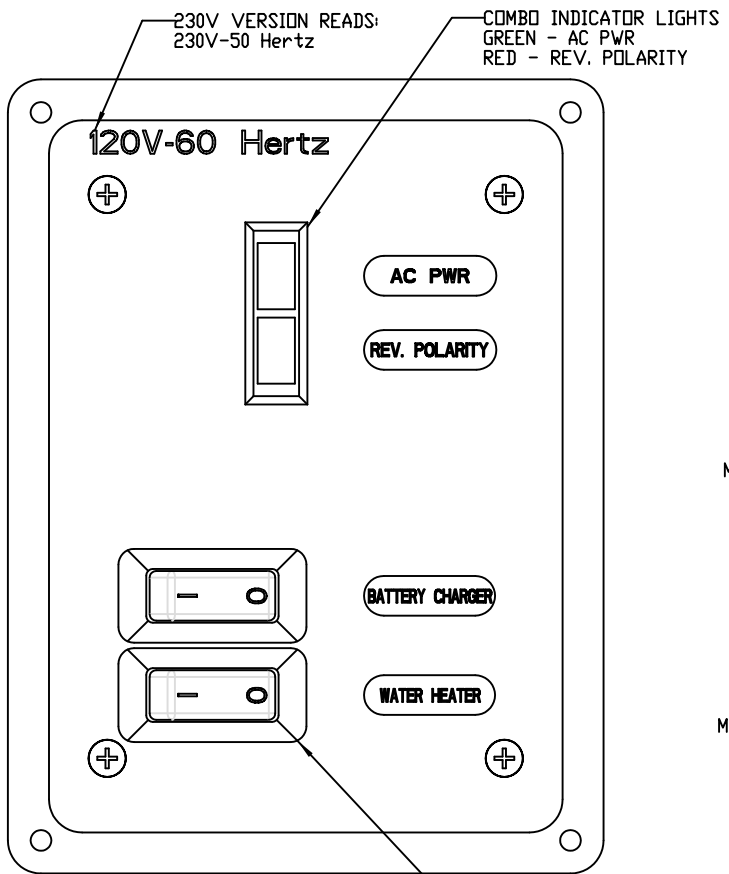
2/6/2006

INDEX

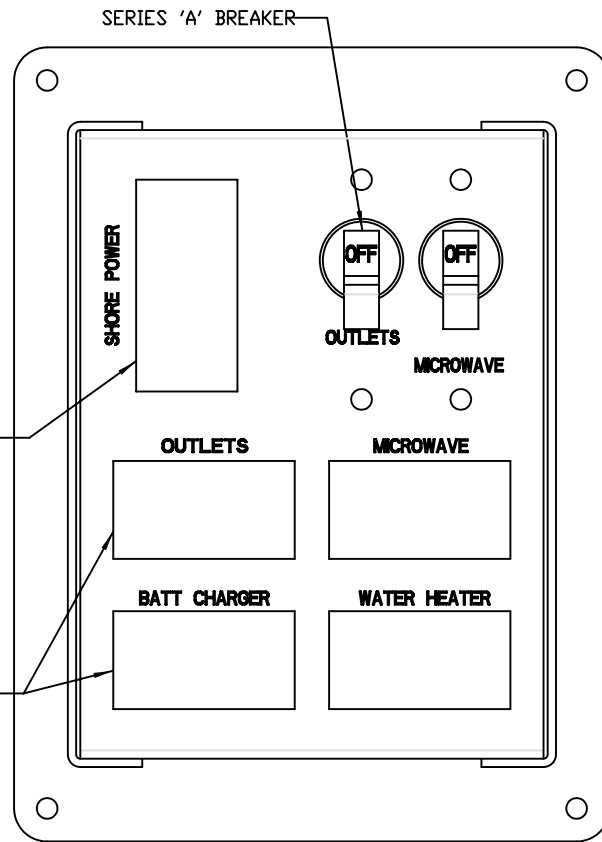
PAGE

3. *AC Panel*
4. *AC Panel Schematic*
5. *AC Wire Kit*
6. *Stage Wire Kits*
7. *Fire Extinguisher Option Kit*
8. *High Water Pump Option Kit*
9. *Battery Switch Panel*
10. *Battery Switch Panel Schematic*
11. *Std DC Panel*
12. *Std DC Panel Schematic*
13. *Deluxe DC Panel*
14. *Deluxe DC Panel Schematic*
15. *DC Panel Connectors*
16. *Hull Harness*
17. *Hull Harness Wire List*
18. *Deck Harness*
19. *Optional Deluxe Deck Harness*
20. *Deck Harness Wire List*
21. *Auto Fire System Schematic*
22. *High Water Pump System Schematic*

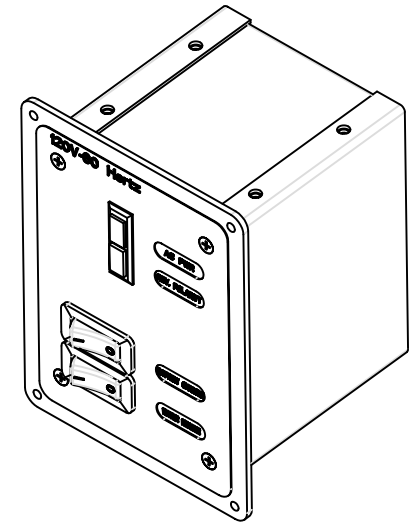
SYMBOL	REVISIONS	DATE	ENG




FRONT VIEW



BACK VIEW



PROPRIETARY INFORMATION THIS DRAWING CONTAINS INFORMATION FOR WHICH HUNTER MARINE CORPORATION HAS PROPRIETARY RIGHTS

 HUNTER 27

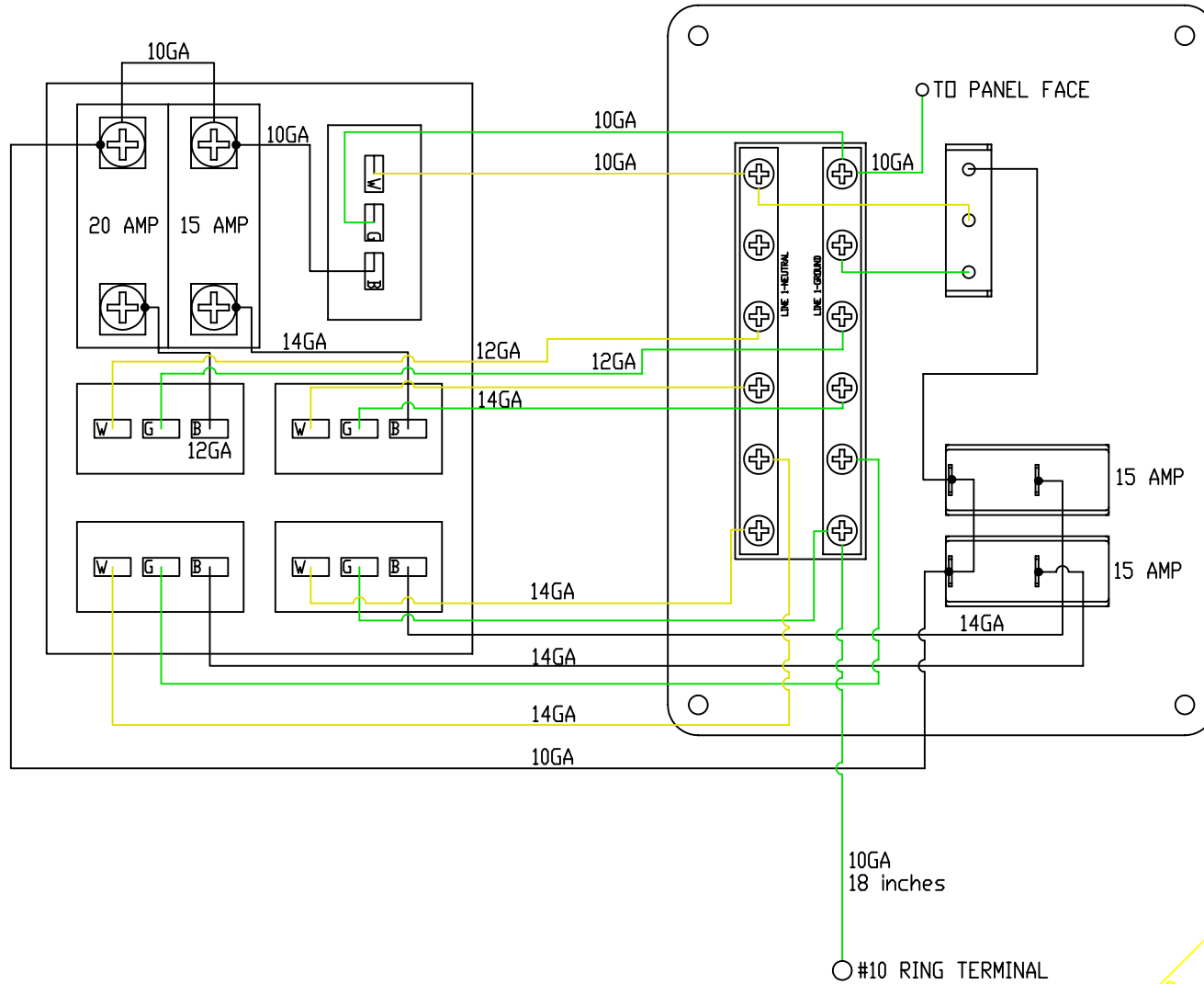
DRAWING TITLE:
PANEL, AC 120V OR 230V

DRAWN BY: JLK	DATE: 07-Jun-04	SHEET 2	OF 4
SCALE: 1.000	HUNTER PART NDL TBD	REVISION	DRAW # H27 PANEL AC

CHECKED

NOTE: BREAKER VALUES SHOWN ARE FOR 120V PANEL VERSION.

SYMBOL	REVISIONS	DATE	ENG
A	ADD GROUND TO PANEL FACE	7/30/2004	JLK




BREAKER LIST (120V):

- BATTERY CHARGER - 15 AMPS, ETA 3130
- WATER HEATER - 15 AMPS, ETA 3130
- OUTLETS - 15 AMPS, SERIES 'A'
- MICROWAVE - 20 AMPS, SERIES 'A'

BREAKER LIST (230V):

- BATTERY CHARGER - 10 AMPS, ETA 3130
- WATER HEATER - 10 AMPS, ETA 3130
- OUTLETS - 10 AMPS, SERIES 'A'
- MICROWAVE - 15 AMPS, SERIES 'A'

PROPRIETARY INFORMATION THIS DRAWING CONTAINS INFORMATION FOR WHICH HUNTER MARINE CORPORATION HAS PROPRIETARY RIGHTS

		HUNTER		27	
DRAWING TITLE: AC PANEL SCHEMATIC					
DRAWN BY:	JLK	DATE:	07-Jun-04	SHEET	1 OF 1
SCALE:	1.000	HUNTER PART NO.	TBD	REVISION	-
				DRAW #	PANEL_AC_H27_BACKSIDE

LEGEND:

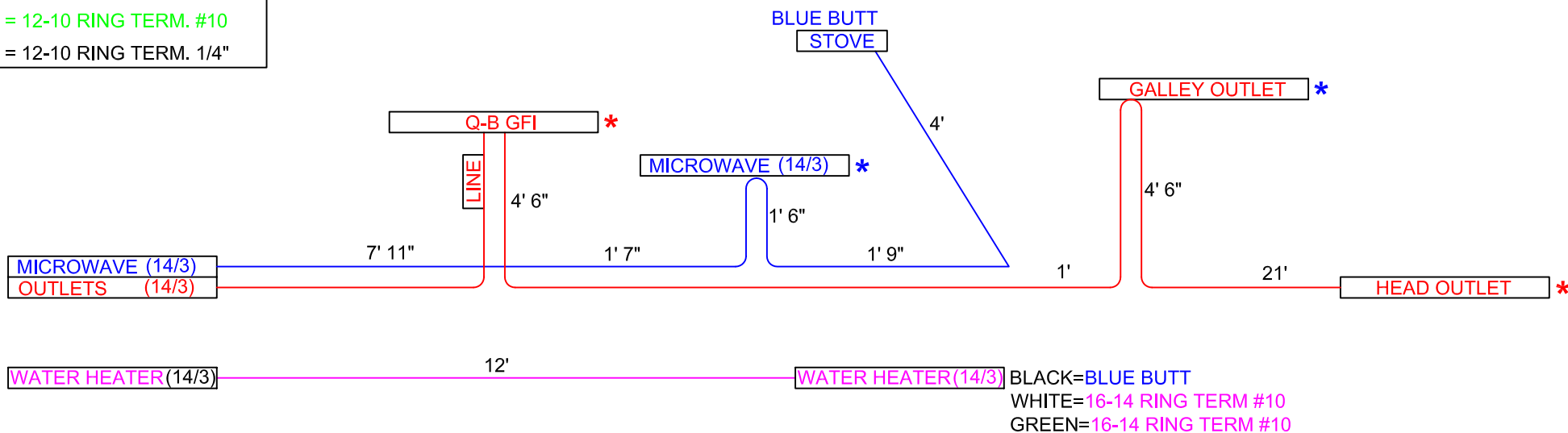
- * = 16-14 CAPTIVE SPADE #8
- * = 12-10 CAPTIVE SPADE #8
- * = 16-14 RING TERM. #10
- * = 12-10 RING TERM. #10
- * = 12-10 RING TERM. 1/4"

NOTE: CONDUIT ALL HARNESSSES COMPLETELY

REV. 10-5-05

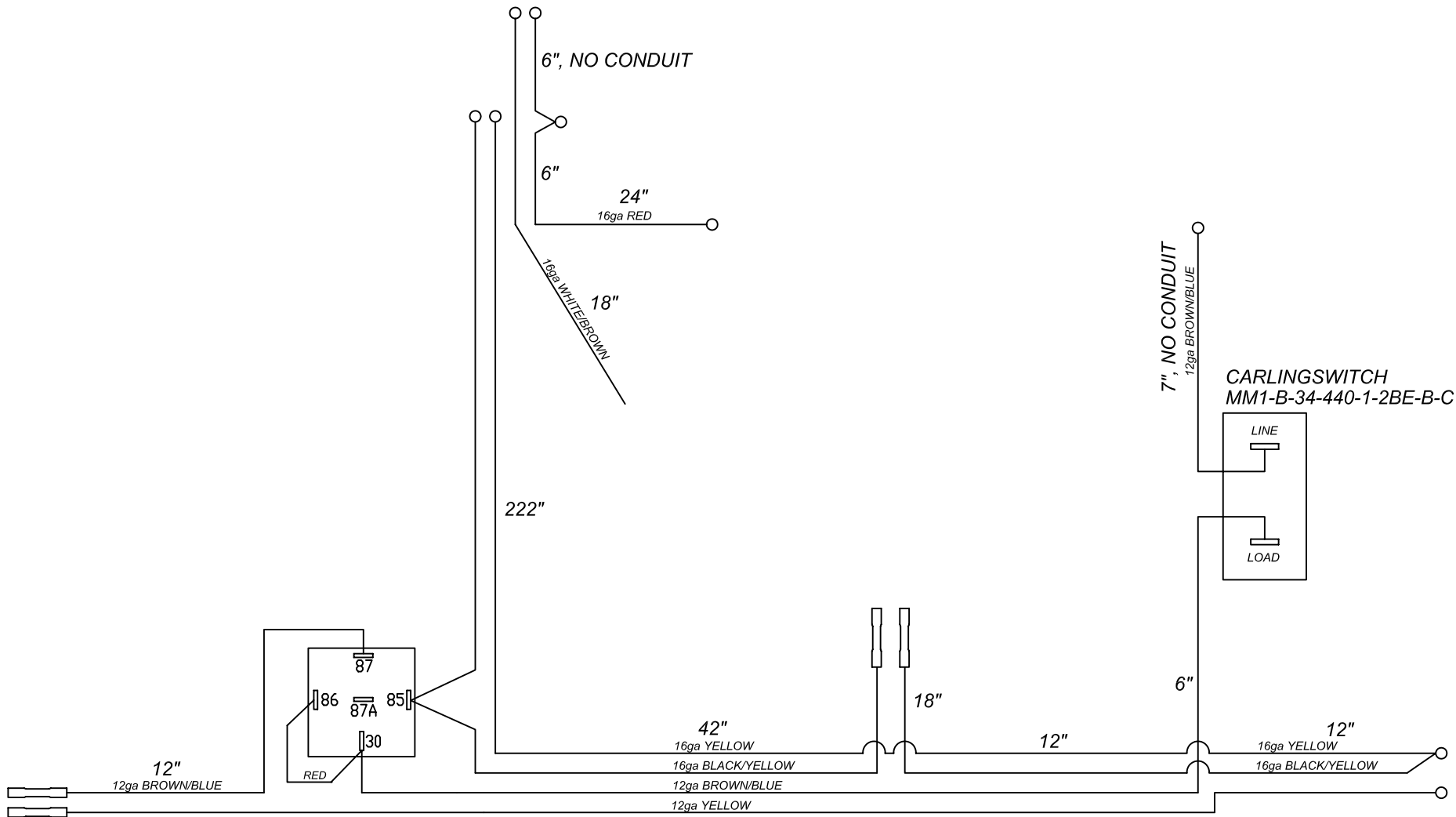
27 AC WIRES

P/N 1006242



MICROWAVE(14/3) = 18' 3"
 OUTLETS(14/3) = 51' 3"
 WATER HEATER(14/3) = 12'

STAGE 24A-MODULE P/N 1006239						
	WIRE SIZE	COLOR	LENGTH	EYE	EYE	DESCRIPTION
GNDS	6 GA	GREEN/YELLOW	14'	1/2"	1/4"	CHAINPLATE PORT
	6 GA	GREEN/YELLOW	10'	1/2"	1/4"	CHAINPLATE STBD
	10 GA	GREEN/YELLOW	20'			FUEL FILL GRD
	4 GA	GREEN/YELLOW	1' 8"	1/4"	1/4"	MAST POST TO KEEL
FUEL GAUGE	16 GA	PINK	9'			FUEL SENSOR (S)
	16 GA	YELLOW	9'			FUEL SENSOR (-)
STAGE 24A-DELUXE KIT P/N 1013292						
	WIRE SIZE	COLOR	LENGTH	EYE	EYE	DESCRIPTION
VHF RADIO	RG-8X	COAX	22'	M-PL259	F-PL259	VHF ANTENNA
STAGE 26-ENGINE STAGE KIT P/N 1013325						
	WIRE SIZE	COLOR	LENGTH	EYE	EYE	DESCRIPTION
HOUSE BATTERY #1	2 GA	RED	8'	3/8"	PP120-R	BATTERY #1 TO SWITCH
	2 GA	YELLOW	8'	5/16"	5/16"	BATTERY TO NEG
YANMAR STARTER	2 GA	RED	5'	5/16"	PP120-W	START TO STUD-YAN
	2 GA	YELLOW	6'	5/16"	3/8"	ENGINE TO GND-YAN
FUEL GAUGE	16 GA	RED	2'			FUEL GAUGE POWER
	16 GA	YELLOW	2'			FUEL GAUGE NEG
	16 GA	BLUE	2'			FUEL GAUGE LIGHT
GNDS	6 GA	GREEN/YELLOW	25'	1/4"	1/2"	PEDESTAL GND
STAGE 26-ENGINE DELUXE KIT P/N 1013326						
	WIRE SIZE	COLOR	LENGTH	EYE	EYE	DESCRIPTION
BATTERY CHARGER	14/3	ROMEX	30"	#8 C. SP		BATTERY CHARGER
	10 GA	ORANGE/GREEN	24"	#8 C. SP	#10	BATTERY #1
	10 GA	ORANGE/RED	24"	#8 C. SP	#10	BATTERY #2
	10 GA	YELLOW	24"	#8 C. SP	1/4"	NEGATIVE
STAGE 26-OPTIONS						
	WIRE SIZE	COLOR	LENGTH	EYE	EYE	DESCRIPTION
HOUSE BATTERY #2	2 GA	RED	10'	3/8"	PP120-R	BATTERY #2 TO SWITCH
P/N 1013293	2 GA	YELLOW	2' 6"	5/16"	5/16"	BATTERY TO BATTERY



LEGEND
 ○ = #10 EYE
 ━━━ = BUTT SPLICE

NOTE: CONDUIT COMPLETELY EXCEPT AS NOTED

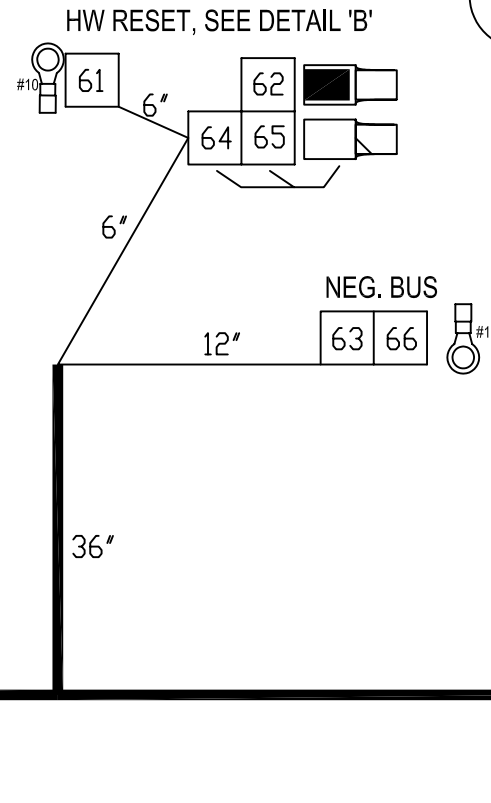
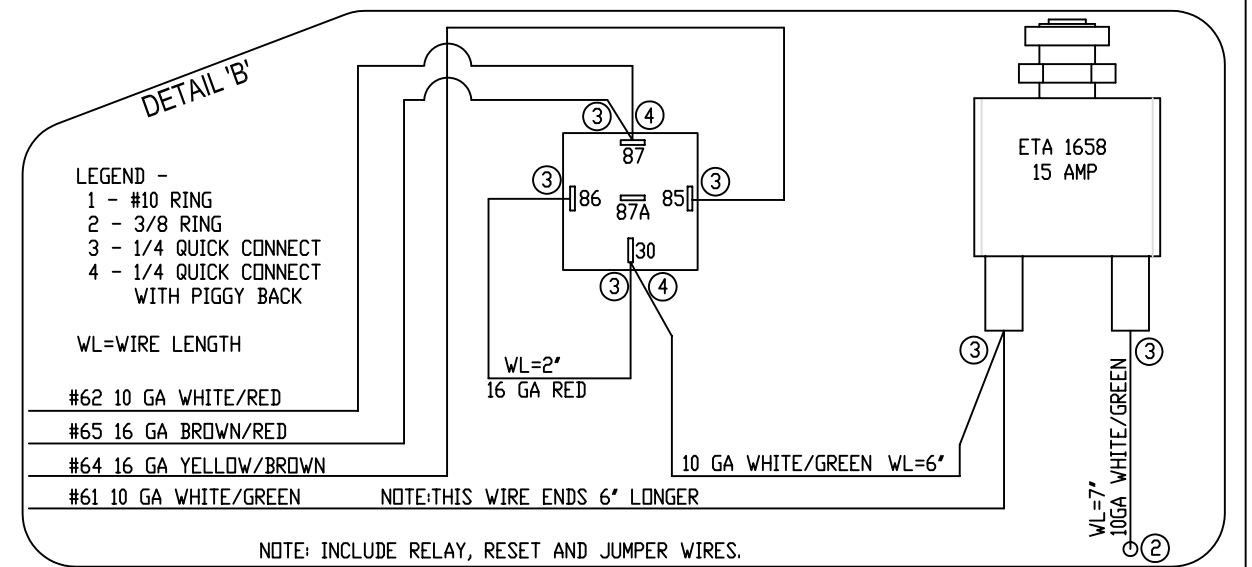
PROPRIETARY INFORMATION THIS DRAWING CONTAINS INFORMATION FOR WHICH HUNTER MARINE CORPORATION HAS PROPRIETARY RIGHTS.



DRAWING TITLE: <i>AUTOMATIC FIRE EXTINGUISHER OPTION</i>			
DRAWN BY: <i>JLK</i>	DATE: <i>28-Jul-04</i>	SHEET <i>1</i>	OF <i>1</i>
SCALE: <i>0.045</i>	HUNTER PART NO. <i>TBD</i>	REVISION <i>-</i>	DRAW # <i>-----</i>

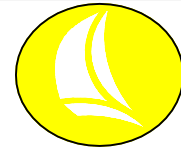
CHECKED

WIRE#	GAUGE	COLOR	LENGTH	DESCRIPTION
61	10	WHITE/GREEN	144"	HW PUMP AUTO
62	10	WHITE/RED	138"	HW PUMP MANUAL
63	10	YELLOW	144"	HW PUMP NEG
64	16	YELLOW/BROWN	210"	HW RELAY SW
65	16	BROWN/RED	210"	HW ALARM IND
66	16	YELLOW	216"	HW ALARM NEG
--	16	RED	2"	JUMPER
--	10	WHITE/GREEN	6"	JUMPER
--	10	WHITE/GREEN	7"	JUMPER



- = CONDUIT
- BARREL
- #10 RING
- 1/4" RING
- 5/16" RING
- 3/8 RING
- 1/4 SLIDE
- 1/4 SLIDE W/PIGGYBACK

PROPRIETARY INFORMATION: THIS DRAWING CONTAINS INFORMATION FOR WHICH HUNTER MARINE CORPORATION HAS PROPRIETARY RIGHTS.

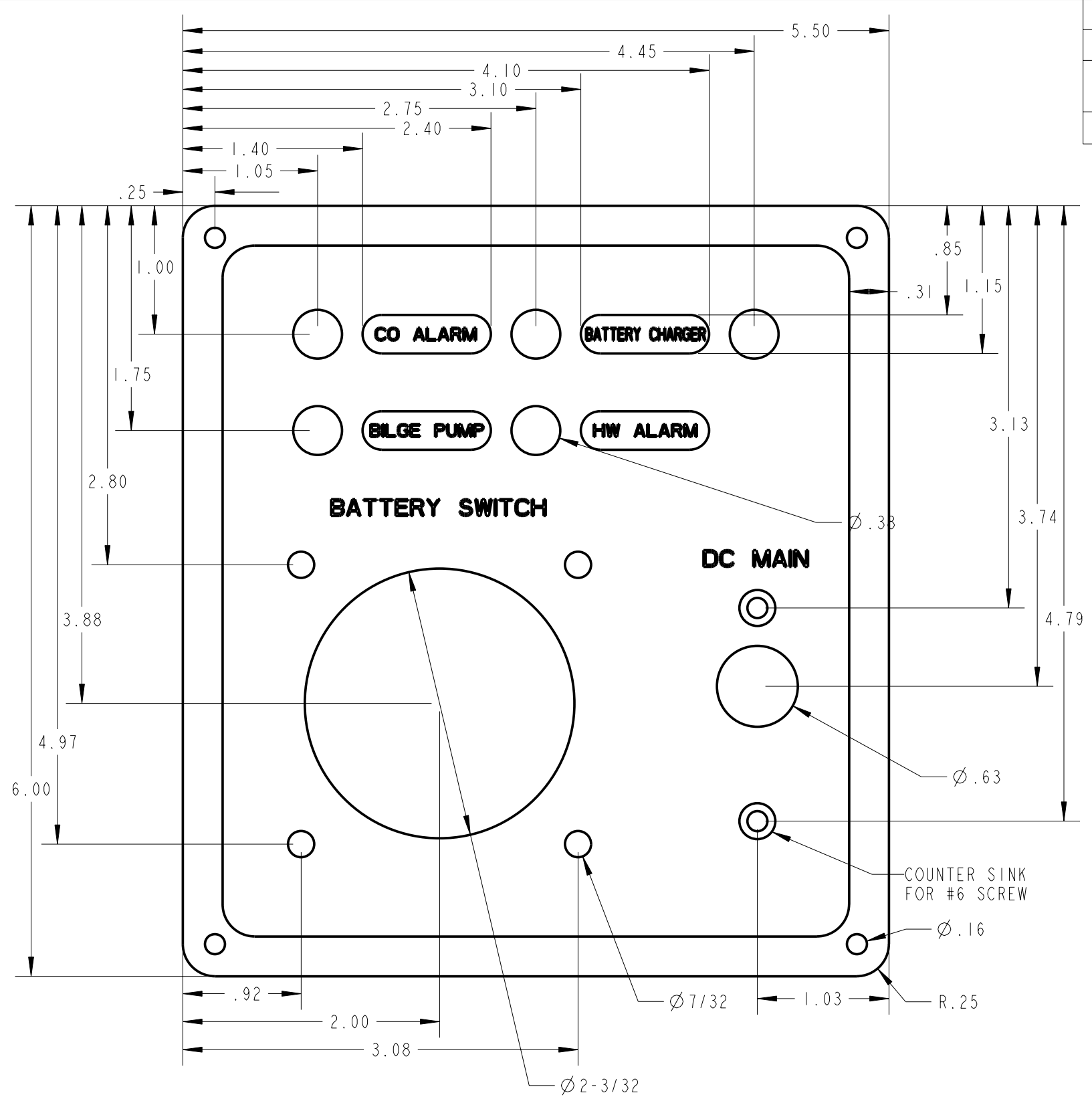


HUNTER 27

DRAWING TITLE:
HIGH WATER PUMP OPTION

DRAWN BY: *JLK* DATE: *29-June-06* SHEET *1* OF *1*

SCALE: *0.045* HUNTER PART NO. *1013294* REVISION *-* DRAW # *drawing number*



SYMBOL	REVISIONS	DATE	ENG
A	MOVED SECOND ROW OF RESETS DOWN 1/8".	7/27/2004	JLK
B	UPDATE BATTERY SWITCH HOLES FOR BEP MODEL 701-S ALSO BATTERY CHARGER AND EXTRA HOLE	4/12/2005	JLK
C	CHANGE SPARE LABEL TO HW ALARM	6/29/2006	JLK

- NOTE:
- PANEL MATERIAL - 1/8" ALUMINUM
 - PANEL COLOR&FINISH - FLAT CARBON BLACK WITH GLOSSY BLACK BORDER
 - INSTALL THE FOLLOWING COMPONENTS:
 - BATTERY SWITCH, BEP #701-S
 - DC MAIN BREAKER, 40 AMPS
 - CO ALARM RESET, 5 AMPS
 - BILGE PUMP RESET, 5 AMPS
 - BATTERY CHARGER, 25 AMPS X2
 - SPARE, BLANK BLACK PLUG
 - PREWIRE COMPONENTS, SEE SCHEMATIC

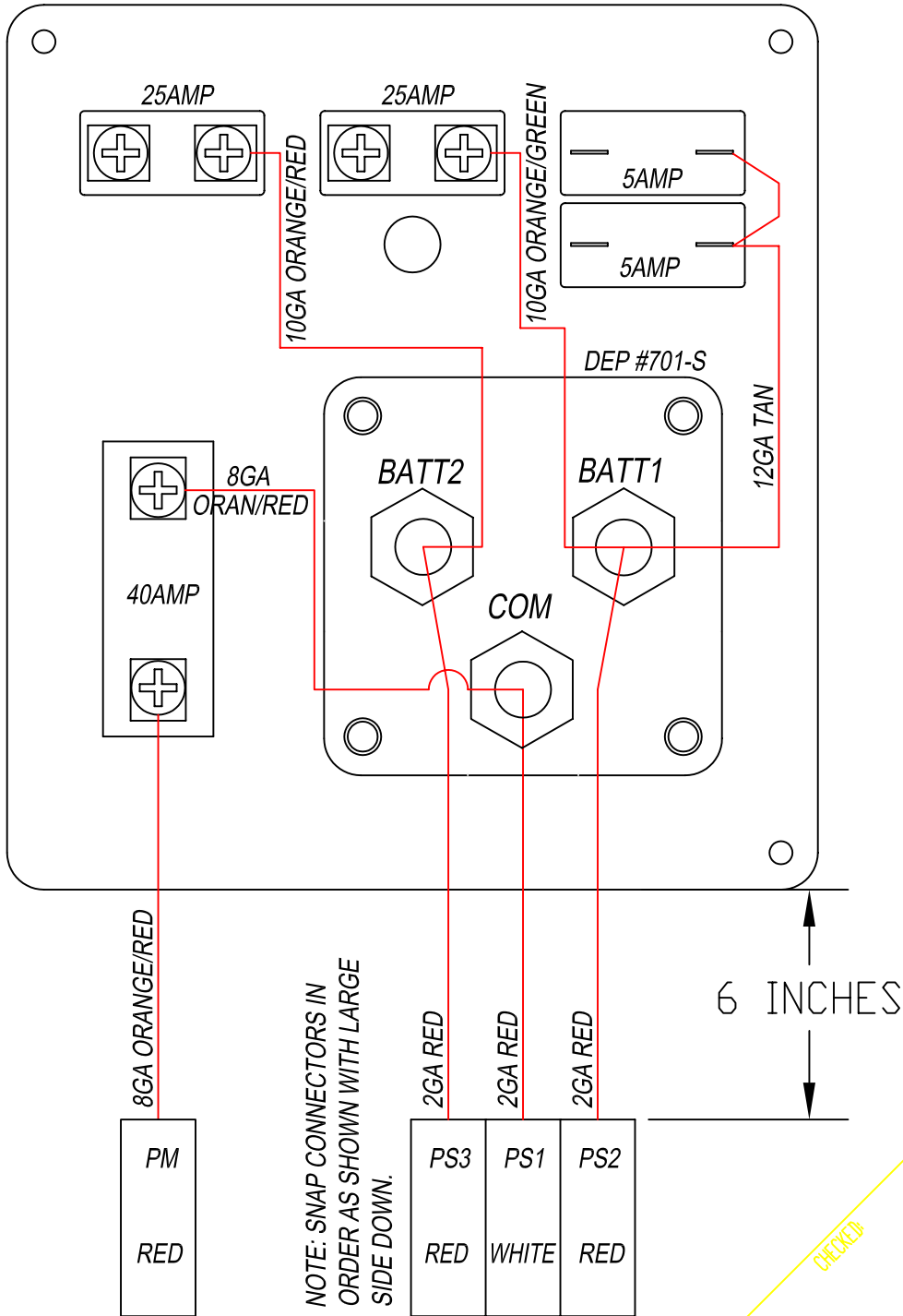
PROPRIETARY INFORMATION: THIS DRAWING CONTAINS INFORMATION FOR WHICH HUNTER MARINE CORPORATION HAS PROPRIETARY RIGHTS.



DRAWING TITLE: BATTERY SWITCH PANEL			
DRAWN BY: JLK	DATE: 25-May-04	SHEET 1	OF 1
SCALE: 1.000	HUNTER PART NO. TBD	REVISION	DRAW # H27.BATTERY SWITCH.PANEL

CHECKED:

SYMBOL	REVISIONS	DATE	ENG
B	DELETED PLUG 'E' AND WIRES TO IT.	9/10/2004	JLK
C	UPDATE BATTERY SWITCH TO DEP #701-S AND ADD BATTERY CHARGER RESETS	4/12/2005	JLK



CONNECTOR LIST:

PM = POWERPOLE, PP75
RED HOUSING

PS1, 2&3 = POWERPOLE, PP120
WHITE HOUSING

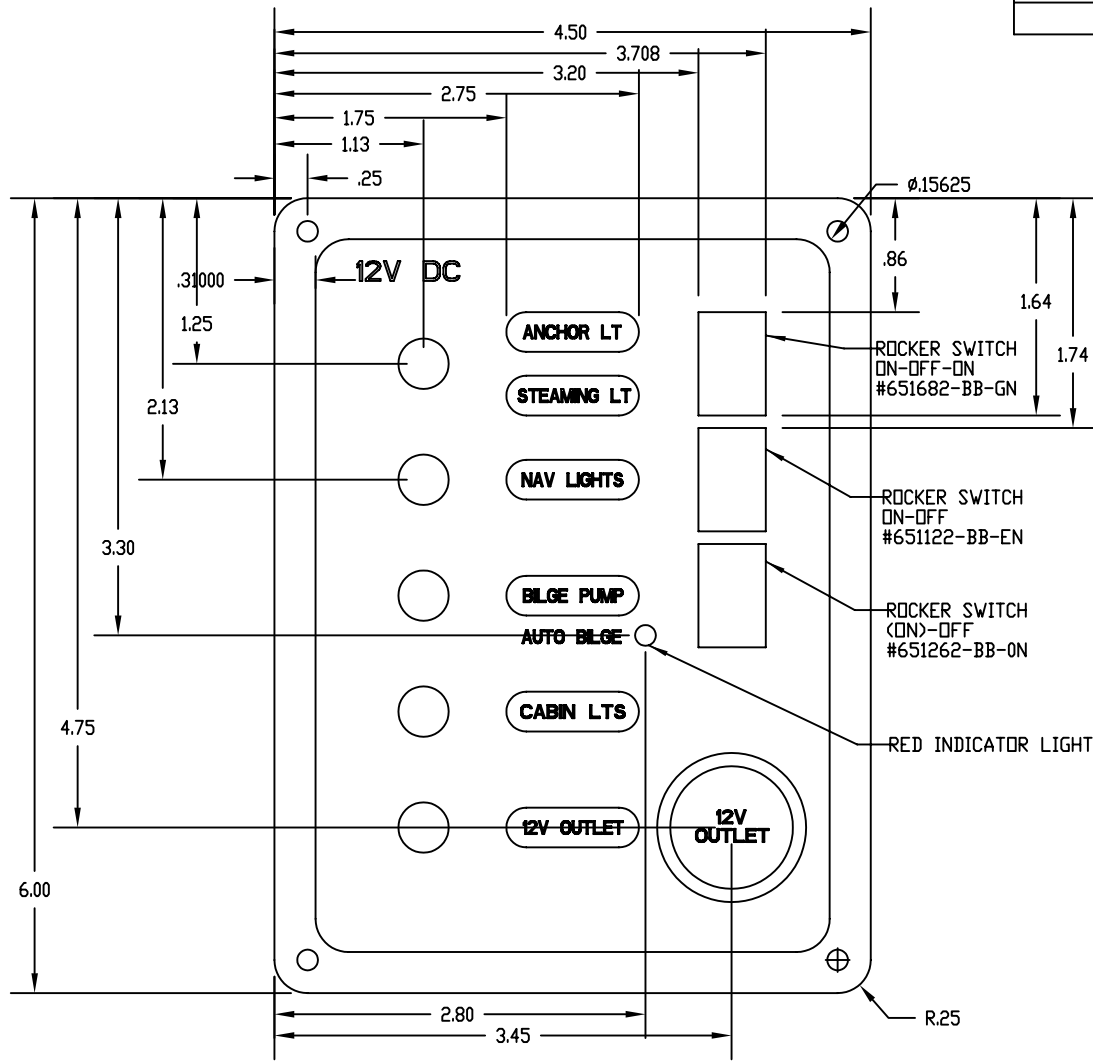
PROPRIETARY INFORMATION: THIS DRAWING CONTAINS INFORMATION FOR WHICH HUNTER MARINE CORPORATION HAS PROPRIETARY RIGHTS.

HUNTER 27

DRAWING TITLE:
PANEL, BATTERY SWITCH SCHEMATIC

DRAWN BY: JLK	DATE: 10-Sept-04	SHEET 1	OF 1
SCALE: 0.750	HUNTER PART NO. TBD	REVISION B	DRAW # H27_BATTERY_SW_PANEL_SCH

SYMBOL	REVISIONS	DATE	ENG



Ø.15625

.86

1.64

1.74

ROCKER SWITCH
ON-OFF-ON
#651682-BB-GN

ROCKER SWITCH
ON-OFF
#651122-BB-EN

ROCKER SWITCH
(ON)-OFF
#651262-BB-ON


RED INDICATOR LIGHT

R.25

NOTE:
1. PANEL MATERIAL - 1/8" ALUMINUM
2. PANEL COLOR&FINISH - FLAT CARBON BLACK WITH GLOSSY BLACK BORDER
3. CARLING SWITCHES.

RESET BREAKER LIST:
5 AMPS - ANCHOR/STEAMING LT
5 AMPS - NAV LIGHTS
5 AMPS - BILGE PUMP
10 AMPS - CABIN LIGHTS
15 AMPS - 12V OUTLETS

PROPRIETARY INFORMATION THIS DRAWING CONTAINS INFORMATION FOR WHICH HUNTER MARINE CORPORATION HAS PROPRIETARY RIGHTS



HUNTER 27

DRAWING TITLE: *PANEL, DC ONLY*

DRAWN BY: <i>JLK</i>	DATE: <i>24-May-04</i>	SHEET <i>1</i>	OF <i>1</i>
SCALE: <i>1.000</i>	HUNTER PART NO. <i>TBD</i>	REVISION	DRAW # <i>H27_PANEL_DC_ONLY</i>



HUNTER

27

DRAWING TITLE:

PANEL SCHEMATIC, DC ONLY

DRAWN BY:

JLK

DATE:

22-Jul-04

SHEET

1

OF

1

SCALE:

1.000

HUNTER PART NO.

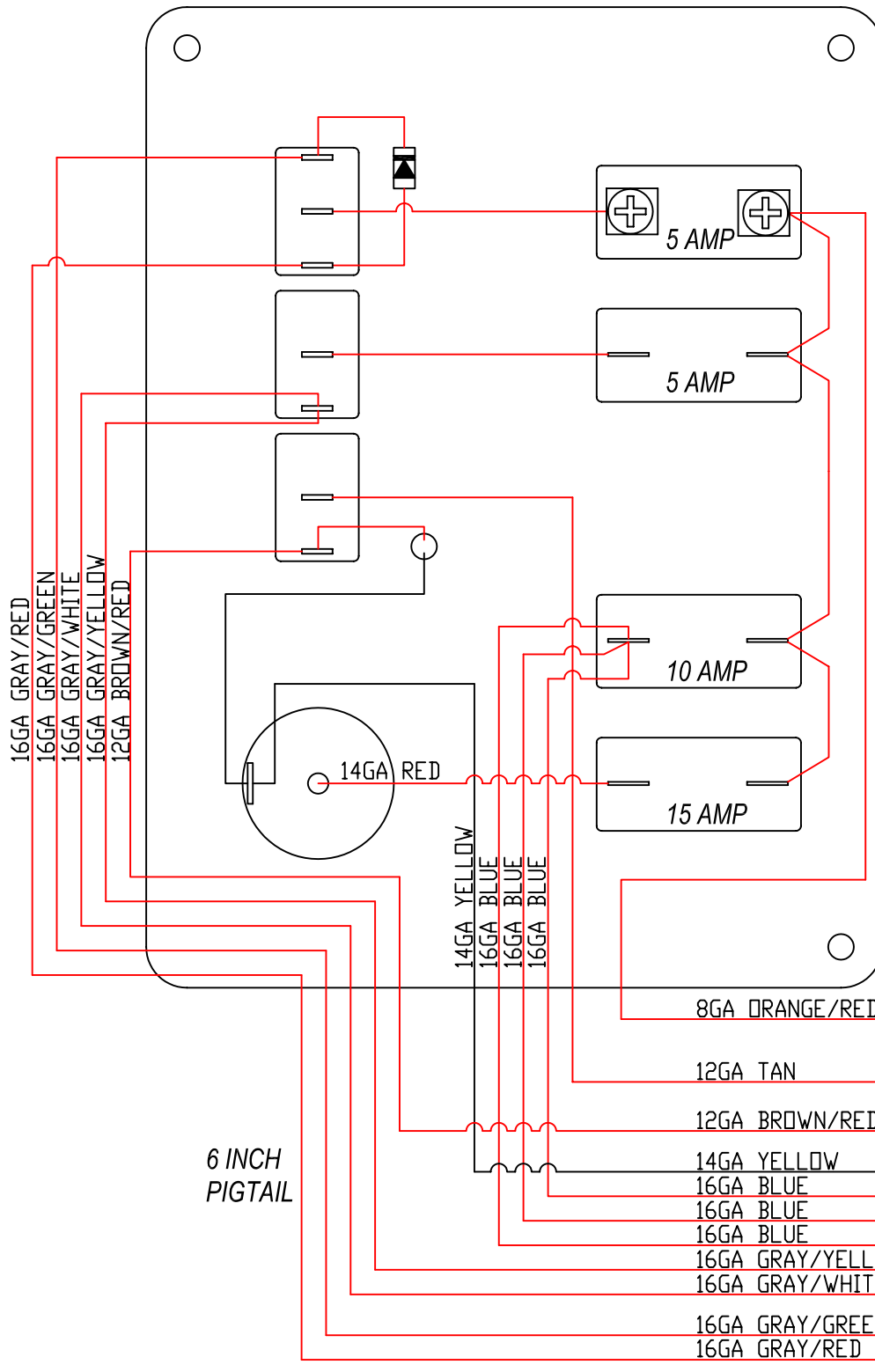
TBD

REVISION

B

DRAW #

H27_PANEL_SCH_DC_ONLY



PP POWERPOLE, PP75

C4

C3

C2

C1

DEUTSCH DTP, MALE HOUSING W/FEMALE PINS

B6

B5

B4

B3

B2

B1

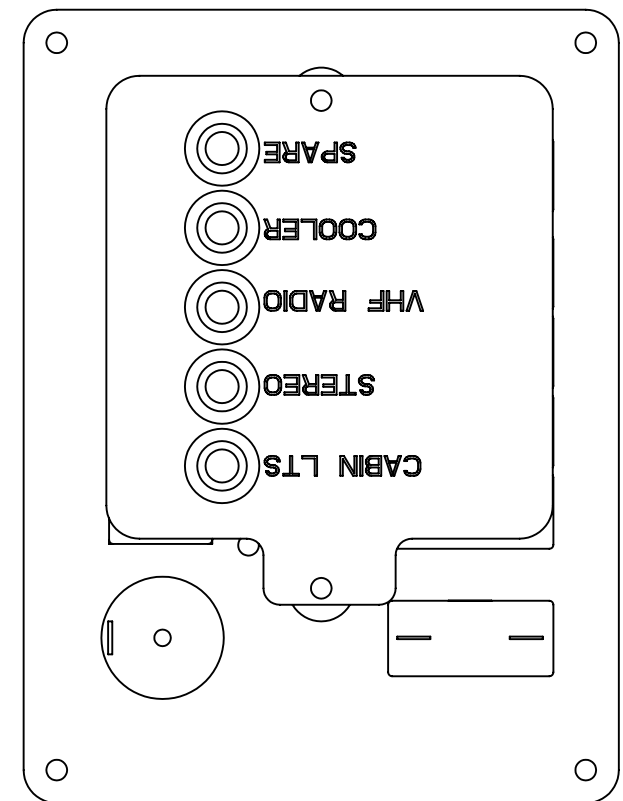
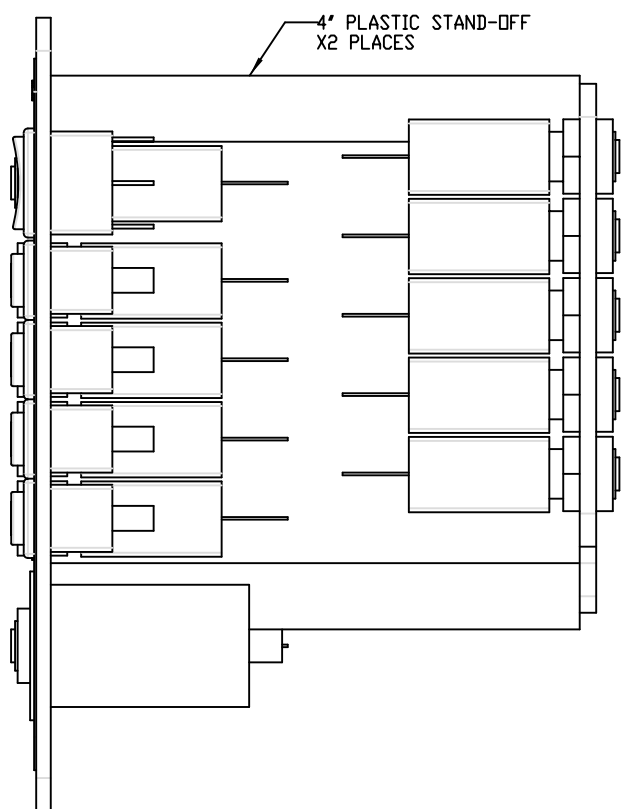
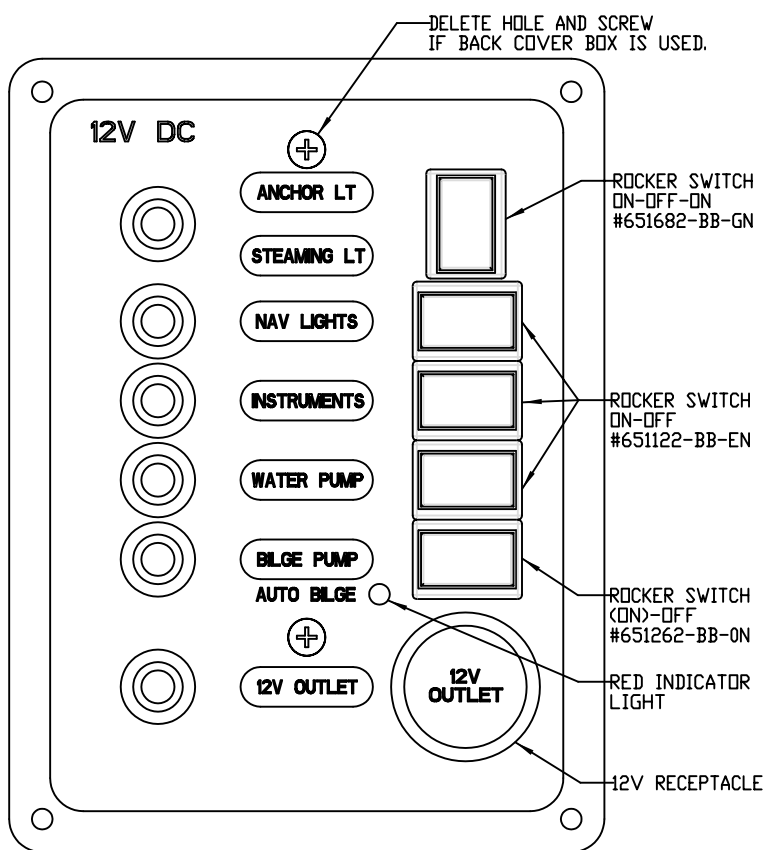
DEUTSCH DT, MALE HOUSING W/FEMALE PINS

A2


A1

DEUTSCH DT, MALE HOUSING W/FEMALE PINS

SYMBOL	REVISIONS	DATE	ENG



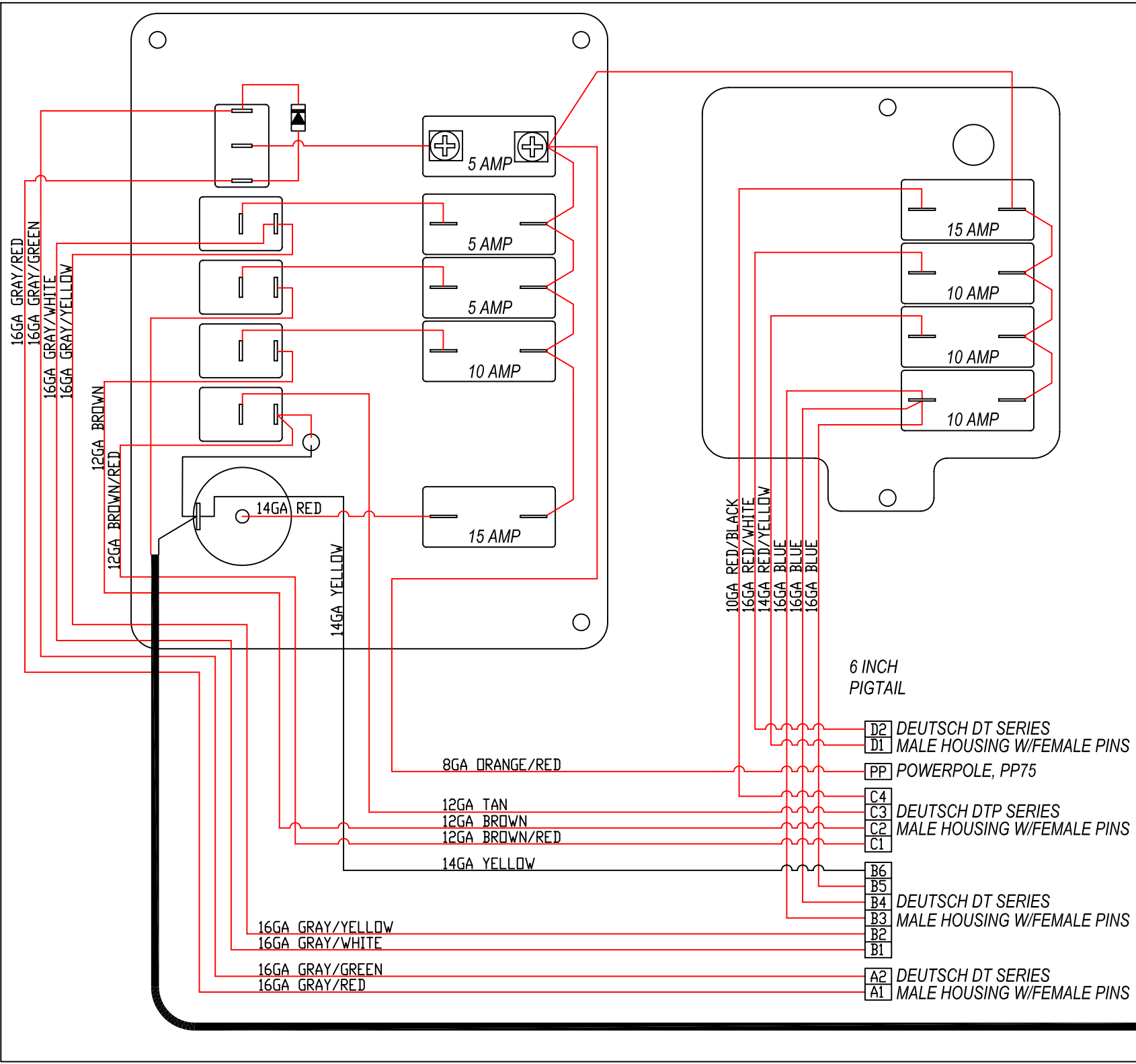
PROPRIETARY INFORMATION THIS DRAWING CONTAINS INFORMATION FOR WHICH HUNTER MARINE CORPORATION HAS PROPRIETARY RIGHTS

 HUNTER 27

DRAWING TITLE:
PANEL, DC DELUXE ASSEMBLY

DRAWN BY: JLK	DATE: 04-Jun-04	SHEET 2	OF 2
SCALE: 1.000	HUNTER PART NO. TBD	REVISION	DRAW # H27_DC_PANEL_DELUXE

CHECKED



PROPRIETARY INFORMATION THIS DRAWING CONTAINS INFORMATION FOR WHICH HUNTER MARINE CORPORATION HAS PROPRIETARY RIGHTS

HUNTER

27

DRAWING TITLE: **PANEL SCHEMATIC, DELUXE VERSION**

DRAWN BY: JLK	DATE: 27-Jan-05	SHEET 1	OF 1
SCALE: 1.000	HUNTER PART NO. TBD	REVISION: D	DRAW # H27_DC_PANEL_DELUXE_SCH

24 INCHES LONG SEATALK CABLE

DC PANEL CONNECTORS for 27

All connectors to be female pins with male connectors.

6/4/2004

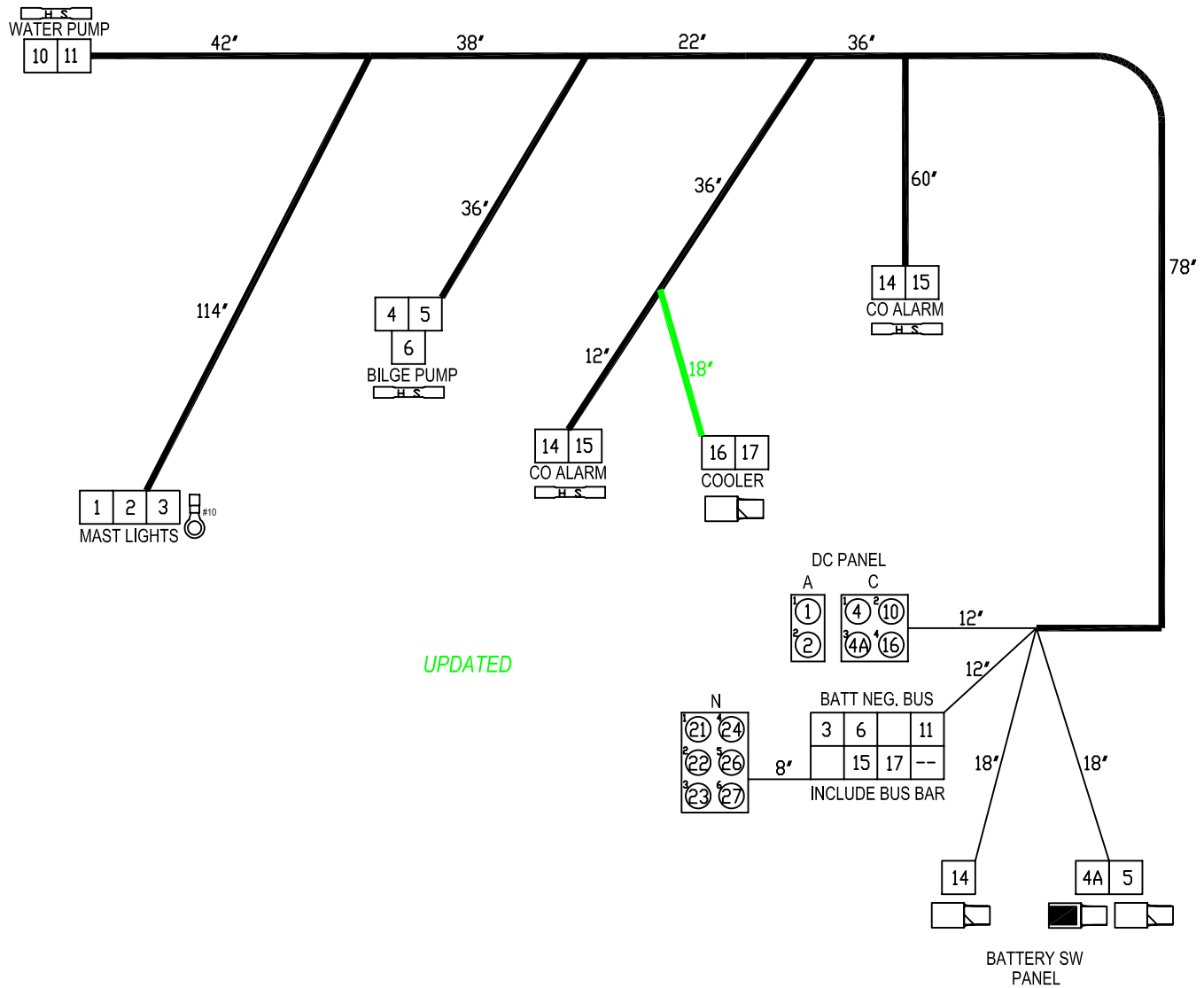
CONN. A	WIRE# (HULL)	WIRED TO ON PANEL	CONN. TYPE
1	16ga Gray/Red	ANCHOR LIGHT	Deutsch - DT Series - 2pin
2	16ga Gray/Green	STEAMING LIGHT	

CONN. B	WIRE# (HULL)	WIRED TO ON PANEL	CONN. TYPE
1	16ga Gray/White	BOW LIGHT	Deutsch - DT Series - 6 pin
2	16ga Gray/Yellow	STERN LIGHT	
3	16ga Blue	CABIN LIGHTS	
4	16ga Blue	CABIN LIGHTS	
5	16ga Blue	CABIN LIGHTS	
6	14ga Yellow	12V OUTLET NEG.	

CONN. C	WIRE# (HULL)	WIRED TO ON PANEL	CONN. TYPE
1	12ga Brown/Red	BILGE PUMP	Deutsch - DTP Series - 4pin
2	12ga Brown	WATER PUMP	
3	10ga Brown/White	MACERATOR/SPARE	
4	10ga Red/Black	COOLER	

CONN. D	WIRE# (HULL)	WIRED TO ON PANEL	CONN. TYPE
1	14ga Red/Yellow	STEREO	Deutsch - DT Series - 2pin
2	16ga Red/White	VHF RADIO	

CONN. PP	WIRE# (PANEL TO PANEL)	WIRED TO ON PANEL	CONN. TYPE
1	8ga Orange/Red	MAIN FEED	POWERPOLE PP75



UPDATED

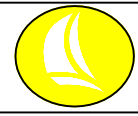
A DEUTSCH DT SERIES FEMALE HOUSING W/MALE PINS

C DEUTSCH DTP SERIES FEMALE HOUSING W/MALE PINS

N DEUTSCH DT SERIES FEMALE HOUSING W/MALE PINS

- = CONDUIT
- BARREL
- #10 RING
- 1/4" RING
- 5/16" RING
- 3/8 RING
- 1/4 SLIDE
- 1/4 SLIDE W/PIGGYBACK

PROPRIETARY INFORMATION: THIS DRAWING CONTAINS INFORMATION FOR WHICH HUNTER MARINE CORPORATION HAS PROPRIETARY RIGHTS.

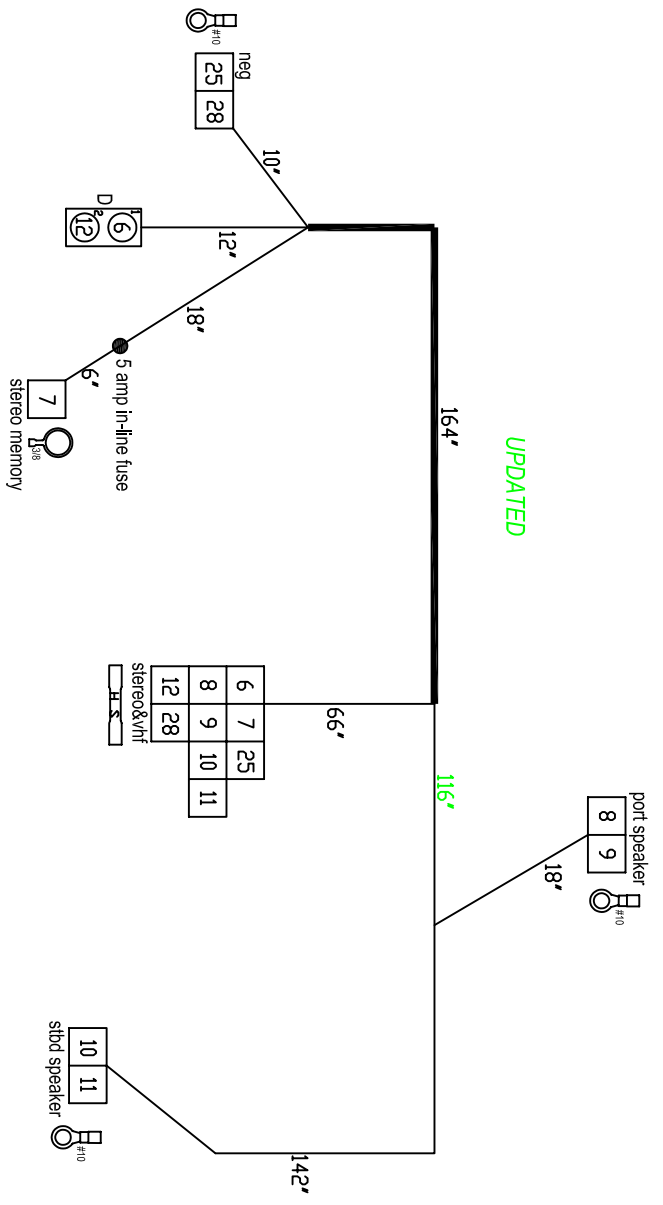


HUNTER *h27*

DRAWING TITLE: HULL HARNESS			
DRAWN BY: <i>JLK</i>	DATE: <i>1-Nov-04</i>	SHEET <i>1</i>	OF <i>1</i>
SCALE: <i>0.045</i>	HUNTER PART NO. <i>TBD</i>	REVISION <i>F</i>	DRAW # <i>drawing number</i>




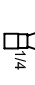
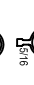



HUNTER 27 DC HULL HARNESS				1/27/2005
WIRE#	GAUGE	COLOR	LENGTH	FUNCTION
1	16	GRAY/RED	300"	ANCHOR LIGHT
2	16	GRAY/GREEN	300"	STEAMING LIGHT
3	16	YELLOW	300"	MAST LIGHT GROUND
4	12	BROWN/RED	184"	BILGE MANUAL SW
4A	12	TAN	30"	BILGE MANUAL SW
5	12	BROWN/ORANGE	190"	BILGE AUTO
6	12	YELLOW	184"	BILGE NEG.
10	12	BROWN	228"	WATER PUMP
11	12	YELLOW	228"	WATER PUMP NEG.
14	16	RED/BLUE	300"	CO DETECTOR
15	16	YELLOW	294"	CO DETECTOR NEG.
16	10	RED/BLACK	180"	COOLER
17	10	YELLOW	180"	COOLER NEG.
21	14	YELLOW	8"	12V OUTLET NEG.
22	16	YELLOW	8"	CABIN LTS NEG.
23	16	YELLOW	8"	CABIN LTS NEG.
24	16	YELLOW	8"	CABIN LTS NEG.
26	16	YELLOW	8"	BOW LT NEG.
27	16	YELLOW	8"	STERN LT NEG.


DEUTSCH DT SERIES
FEMALE HOUSING W/MALE PINS

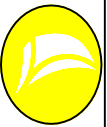


UPDATED

#29 SHORE POWER 18 Feet

-  = CONDUIT
-  BARREL
-  #10 RING
-  1/4" RING
-  5/16" RING
-  3/8 RING
-  1/4 SLIDE
-  1/4 SLIDE W/PIGGYBACK

PROPRIETARY INFORMATION THIS DRAWING CONTAINS INFORMATION FOR WHICH HUNTER MARINE CORPORATION HAS PROPRIETARY RIGHTS.



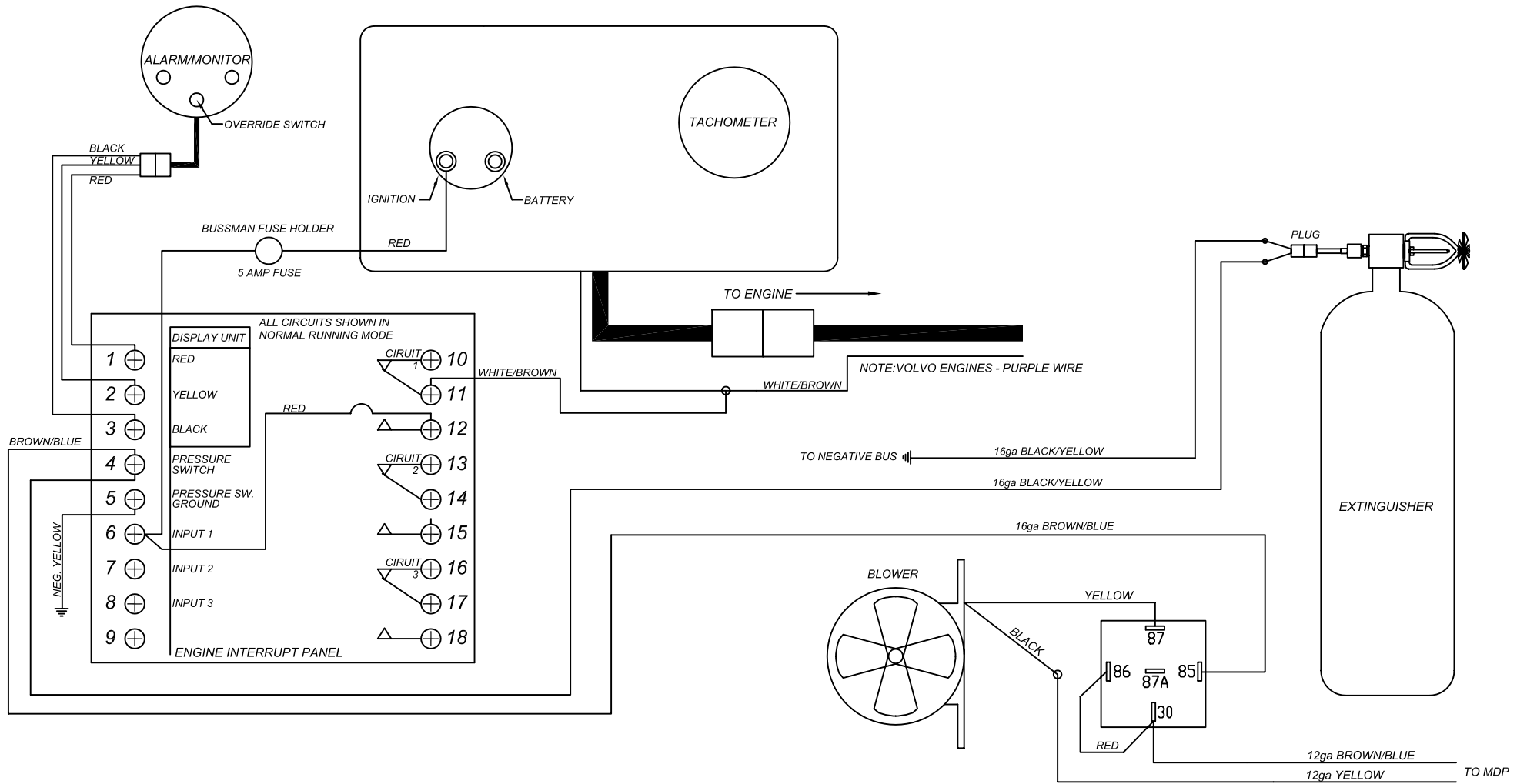
HUNTER *h27*

DRAWING TITLE: **OPTIONAL DECK HARNESS**

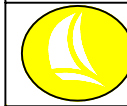
DRAWN BY: JLK	DATE: 6-Oct-04	SHEET: 1	OF: 1
HUNTER PART NO. TBD	REVISION: C	DRAW # drawing number	

SCALE: 0.045

HUNTER 27 DC DECK HARNESS				1/9/2006
WIRE#	GAUGE	COLOR	LENGTH	FUNCTION
1	16	GRAY/WHITE	336"	BOW LIGHT
2	16	GRAY/YELLOW	108"	STERN/COMPASS LIGHT
3	16	BLUE	574"	PORT&FWD LIGHTS
4	16	BLUE	278"	MAIN CABIN LIGHTS
5	16	BLUE	180"	AFT CABIN LIGHTS
6	14	RED/YELLOW	242"	STEREO
7	14	YELLOW/RED	254"	STEREO MEMORY
8	16	WHITE/ORANGE	200"	SPEAKER LEFT (+)
9	16	WHITE/YELLOW	200"	SPEAKER LEFT (-)
10	16	WHITE/BLUE	324"	SPEAKER RIGHT (+)
11	16	WHITE/BLACK	324"	SPEAKER RIGHT (-)
12	16	RED/WHITE	242"	VHF RADIO
21	14	YELLOW	22"	12V OUTLET NEG.
22	16	YELLOW	572"	PORT&FWD LTS NEG.
23	16	YELLOW	276"	MAIN CABIN LTS NEG.
24	16	YELLOW	178"	AFT CABIN LTS NEG.
25	14	YELLOW	242"	STEREO NEG.
26	16	YELLOW	334"	BOW LT NEG.
27	16	YELLOW	106"	STERN/COMPASS LT NEG.
28	16	YELLOW	242"	VHF RADIO NEG.
29	10/3	ROMEX	216"	SHORE POWER
30	16	GRAY/YELLOW	72"	COMPASS LT
30A	16	GRAY/YELLOW	84"	STERN LT
31	16	YELLOW	72"	COMPASS LT NEG.
31A	16	YELLOW	84"	STERN LT NEG.



PROPRIETARY INFORMATION THIS DRAWING CONTAINS INFORMATION FOR WHICH HUNTER MARINE CORPORATION HAS PROPRIETARY RIGHTS.

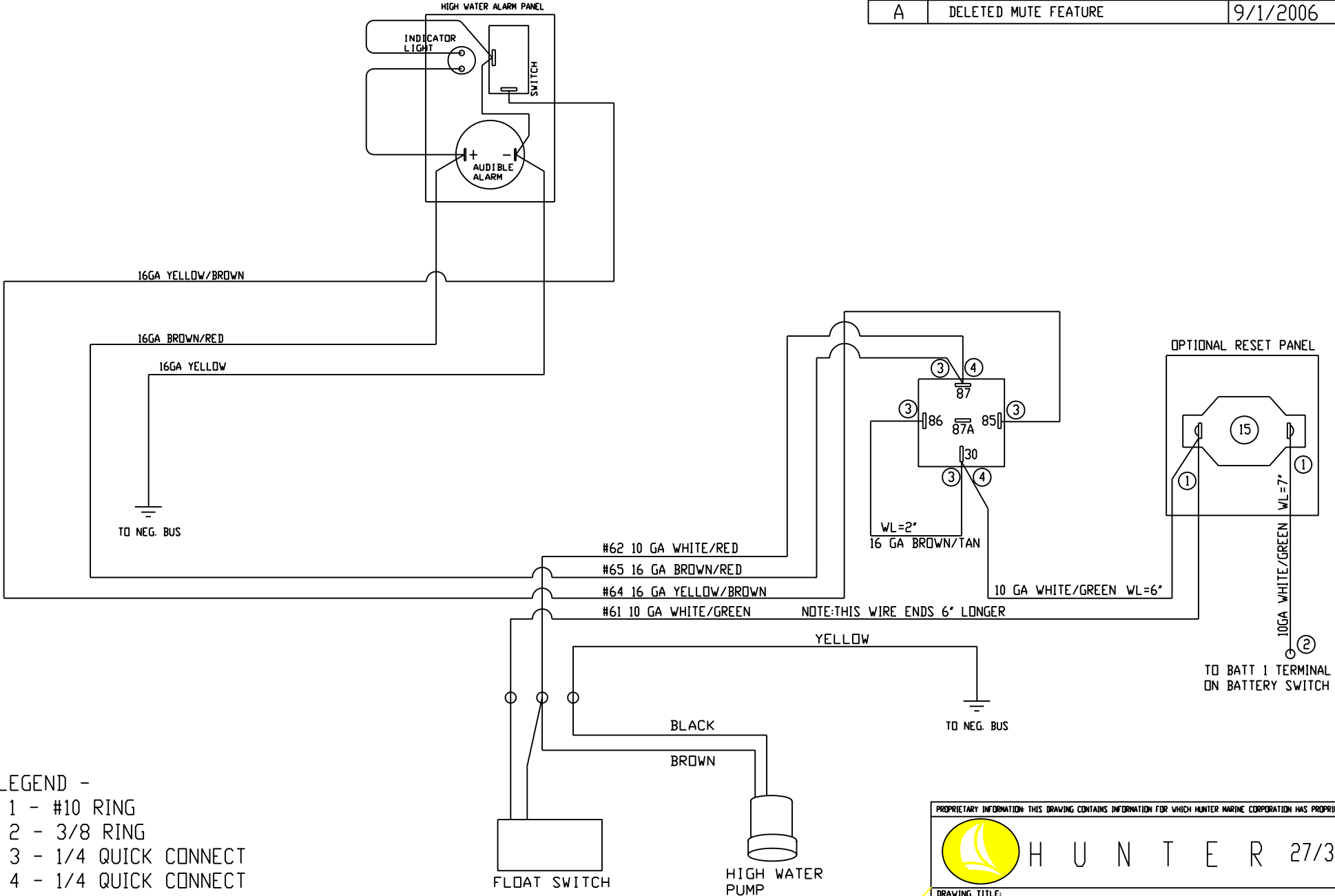


HUNTER 27/30/33

DRAWING TITLE: <i>AUTOMATIC FIRE EXTINGUISHER SCHEMATIC</i>			
DRAWN BY: <i>JLK</i>	DATE: <i>4-Feb-05</i>	SHEET <i>1</i>	OF <i>1</i>
SCALE: <i>0.045</i>	HUNTER PART NO. <i>TBD</i>	REVISION <i>A</i>	DRAW # -----

CHECKED


SYMBOL	REVISIONS	DATE	ENG
A	DELETED MUTE FEATURE	9/1/2006	JLK



- LEGEND -
- 1 - #10 RING
 - 2 - 3/8 RING
 - 3 - 1/4 QUICK CONNECT
 - 4 - 1/4 QUICK CONNECT WITH PIGGY BACK

WL=WIRE LENGTH

PROPRIETARY INFORMATION: THIS DRAWING CONTAINS INFORMATION FOR WHICH HUNTER MARINE CORPORATION HAS PROPRIETARY RIGHTS



H U N T E R 27/31/33

DRAWING TITLE:
HIGH WATER BILGE PUMP SCHEMATIC

DRAWN BY: JLK	DATE: 6/28/2006	SHEET	OF
SCALE:	HUNTER PART NO.	REVISION	DRAW #

CHECKED