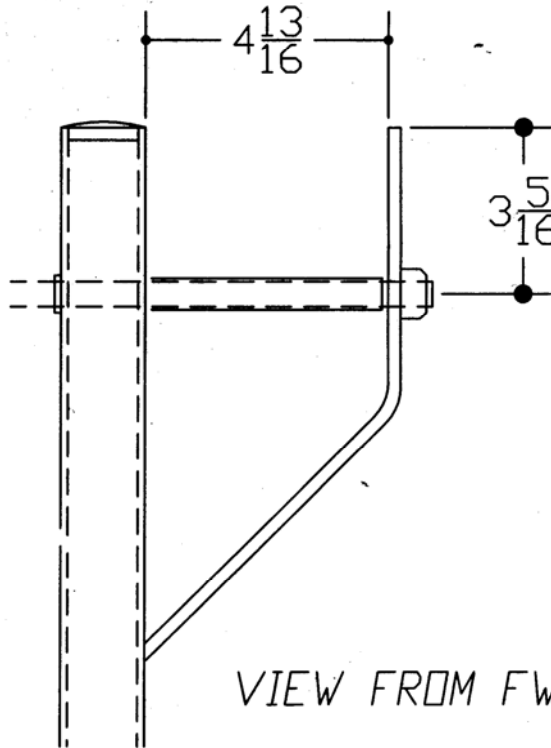
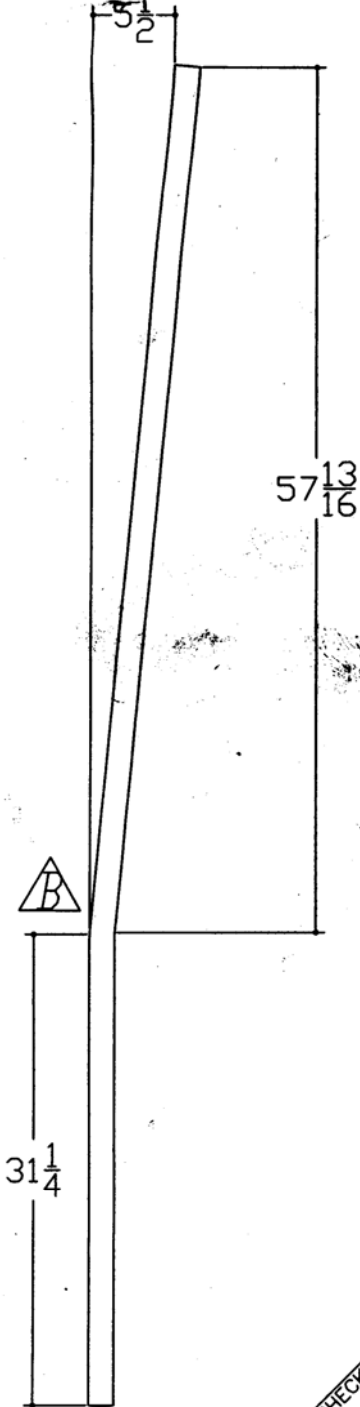
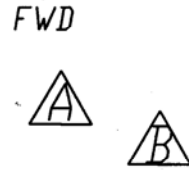
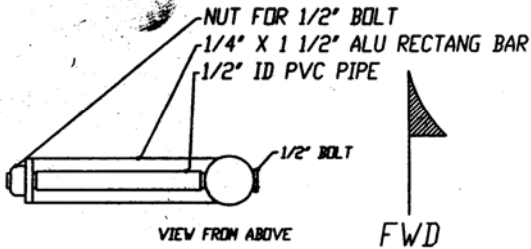
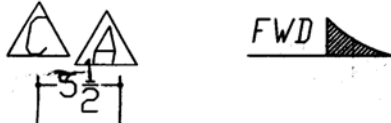


90 9/16"

SYMBOL	REVISIONS	DATE	NAME
A	SUBTRACTED 1" FROM WIDTH/CHANGED ANGLE TO 9°	11/11/97	JAR
B	CORRECTED VIEW AGREEMENT	12/2/97	JAR
C	REMOVE HOLES STRIP HOLES, REDUCE BEND FROM 9 TO 5.5° SHORTEN EARS	8/12/99	KJC

VIEW FROM STARBOARD



PROPRIETARY INFORMATION: THIS DRAWING CONTAINS INFORMATION FOR WHICH HUNTER MARINE CORPORATION HAS PROPRIETARY RIGHTS.

HUNTER  260

DRAWING TITLE: MAST CRUTCH			
DRAWN BY: KJC	DATE: 9/30/97	SHEET 1 OF 1	
SCALE: 1/4"=1'	HUNTER PART NO. N/A	DRAWING NO. 260-20011	

CHECKED: