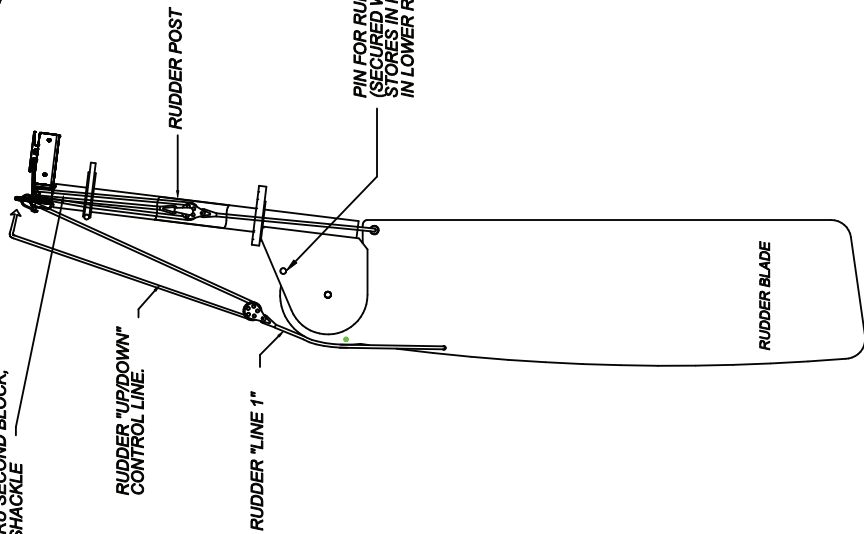
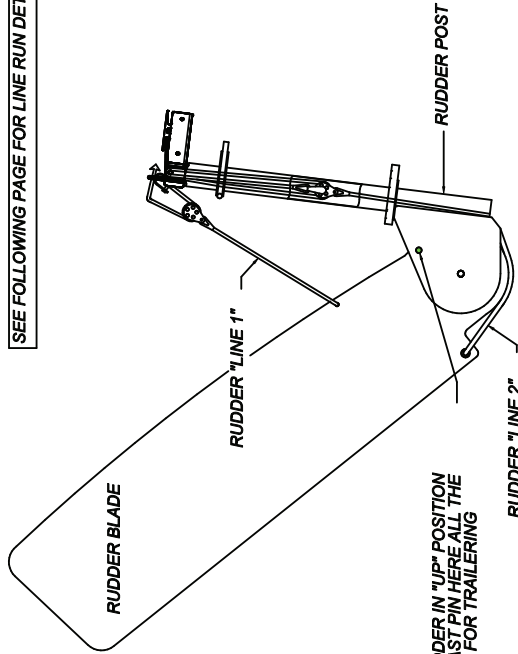


RUDDER "UP/DOWN" CONTROL LINE RUNS FROM SMALL EYE AT BLOCK AROUND BUSHING, DOWN THRU BLOCK IN POST, THEN TO BUSHING IN TOP OF POST, DOWN THRU BAFFLE, THRU SECOND BLOCK, UP TO D-SHACKLE



RUDDER, ALL THE WAY DOWN

SEE FOLLOWING PAGE FOR LINE RUN DETAILS



WHEN RUDDER IN "UP" POSITION INSTALL FAST PIN HERE ALL THE WAY THRU FOR TRAILERING

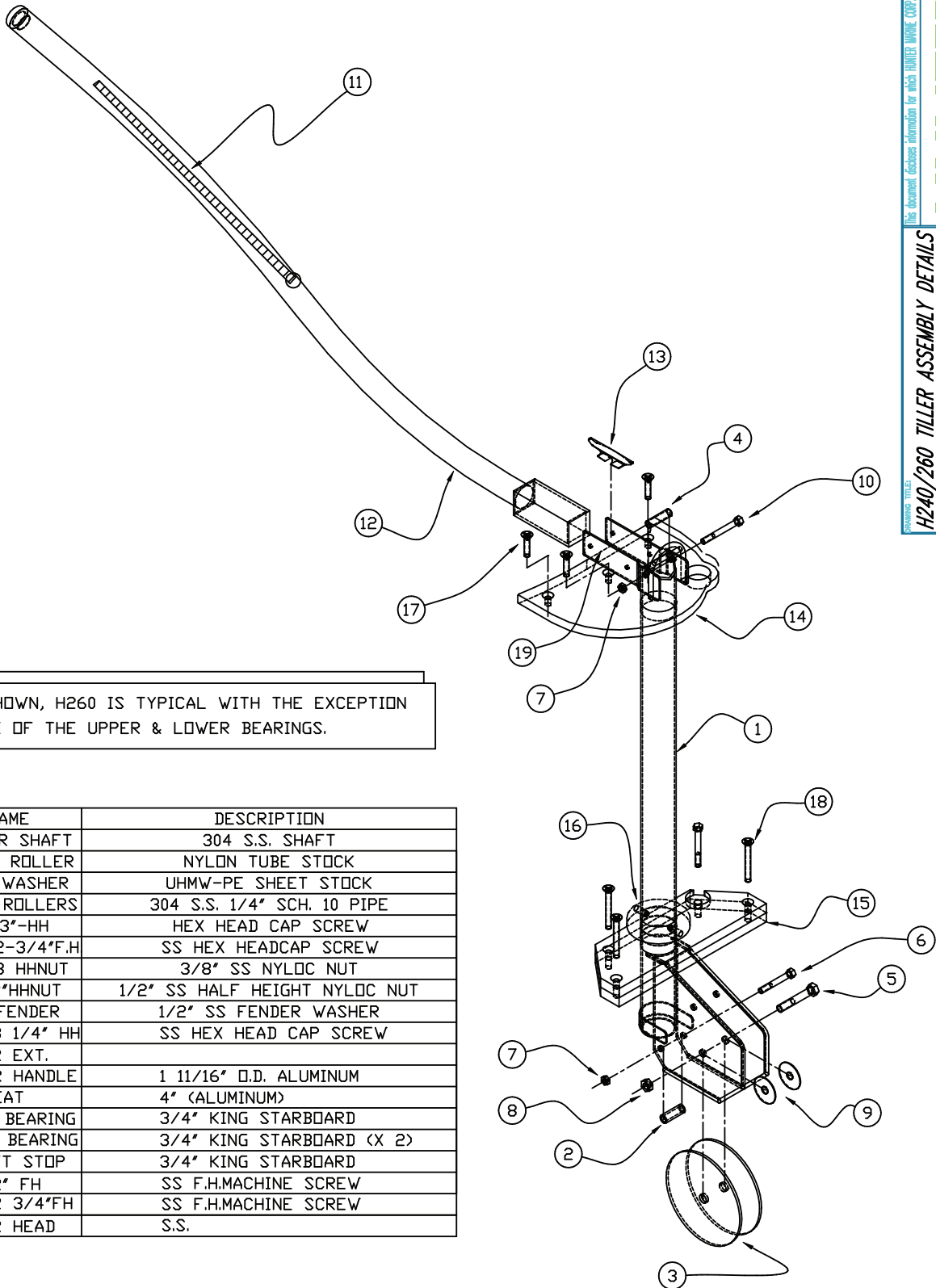
RUDDER, ALL THE WAY UP

This document contains information for which HUNTERA MARINE CORP. has proprietary rights.

240/260 RUDDER LINES DETAILS

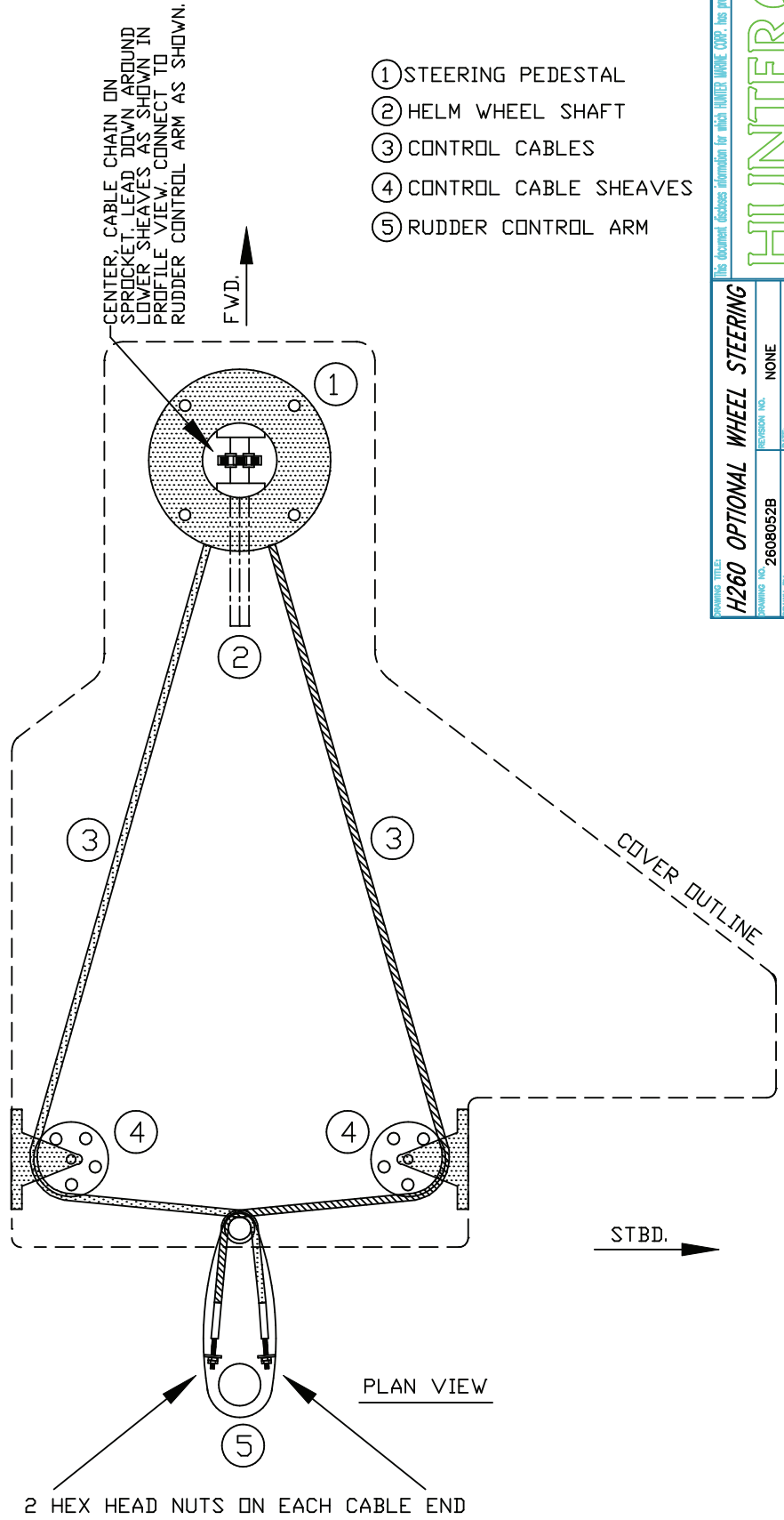
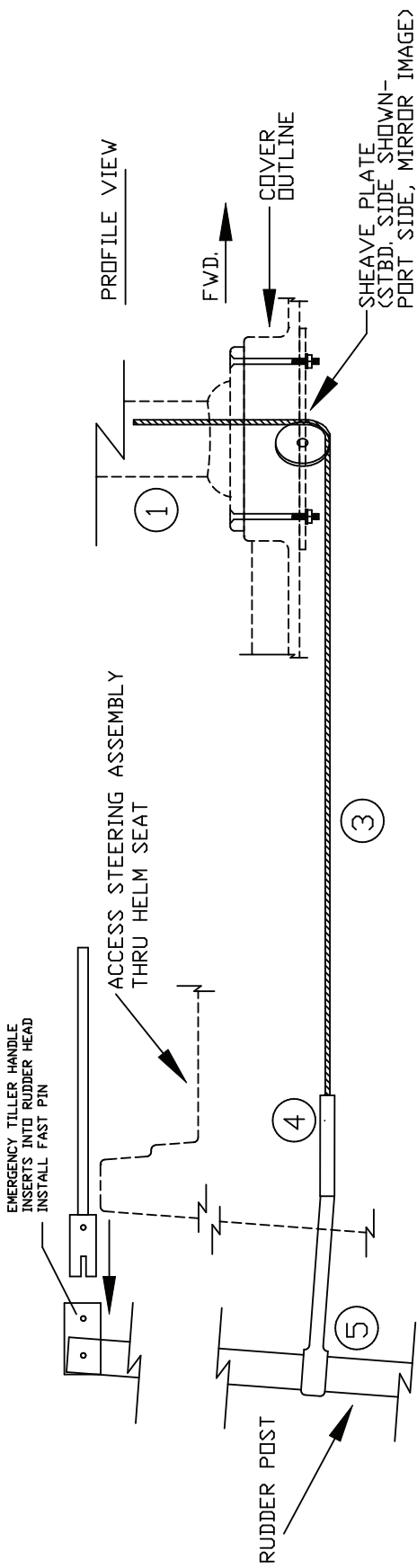


DRAWING NO.	2408052A-1	REVISION NO.	
DATE	9/25/00	ENGINEERING DEPT.	



NOTE: H240 SHOWN, H260 IS TYPICAL WITH THE EXCEPTION OF THE SHAPE OF THE UPPER & LOWER BEARINGS.

ITEM	QTY	NAME	DESCRIPTION
1	1	RUDDER SHAFT	304 S.S. SHAFT
2	1	LOWER ROLLER	NYLON TUBE STOCK
3	2	FLAT WASHER	UHMW-PE SHEET STOCK
4	1	UPPER ROLLERS	304 S.S. 1/4" SCH. 10 PIPE
5	1	1/2"X3"-HH	HEX HEAD CAP SCREW
6	1	3/8"X2-3/4"FH	SS HEX HEADCAP SCREW
7	2	3/8 HHNUT	3/8" SS NYLOC NUT
8	1	1/2"HHNUT	1/2" SS HALF HEIGHT NYLOC NUT
9	2	16 FENDER	1/2" SS FENDER WASHER
10	1	3/8"X3 1/4" HH	SS HEX HEAD CAP SCREW
11	1	TILLER EXT.	
12	1	TILLER HANDLE	1 11/16" O.D. ALUMINUM
13	1	CLEAT	4" (ALUMINUM)
14	1	UPPER BEARING	3/4" KING STARBOARD
15	1	LOWER BEARING	3/4" KING STARBOARD (X 2)
16	1	SHAFT STOP	3/4" KING STARBOARD
17	3	3/8"X2" FH	SS F.H.MACHINE SCREW
18	3	3/8"X2 3/4"FH	SS F.H.MACHINE SCREW
19	1	TILLER HEAD	S.S.



- ① STEERING PEDESTAL
- ② HELM WHEEL SHAFT
- ③ CONTROL CABLES
- ④ CONTROL CABLE SHEAVES
- ⑤ RUDDER CONTROL ARM

This document contains information for which HUNTERA MARINE CORP. has proprietary rights.

HUNTERA

DRAWING TITLE: <b>H260 OPTIONAL WHEEL STEERING</b>	REVISION NO.: NONE
DRAWING NO.: 2608052B	DATE: 9/4/97
ENGINEERING DEPT. ENGINEERING DEPT.	