

PROPRIETARY INFORMATION: THIS DRAWING CONTAINS INFORMATION FOR WHICH HUNTER MARINE CORPORATION HAS PROPRIETARY RIGHTS.



H U N T E R 216

DRAWING TITLE:

216 INTERIOR BUNK

DRAWN BY:

AFF

DATE:

02-Apr-04

SHEET

1

OF

3

SCALE:

0.125

HUNTER PART NO.

TBD

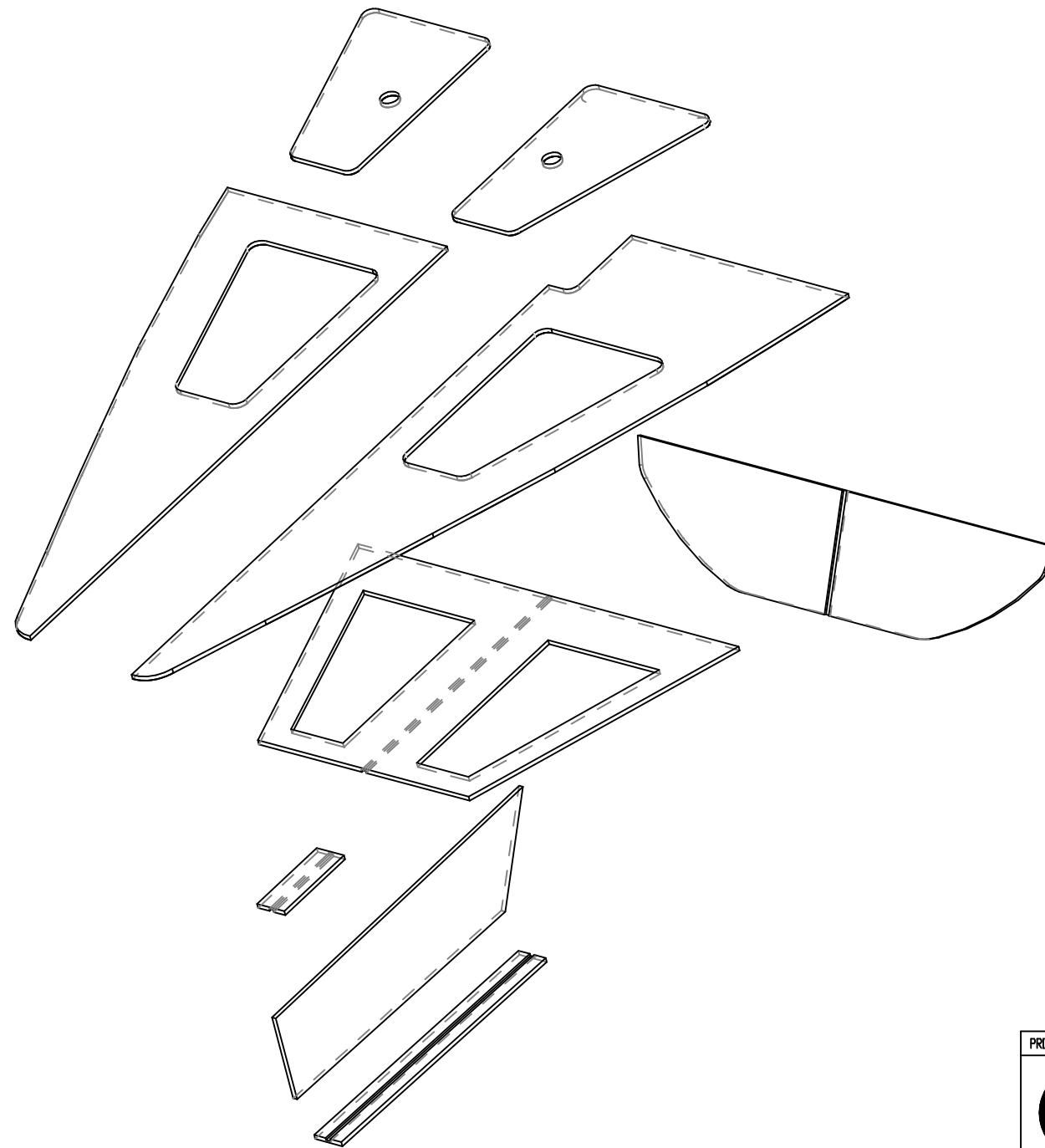
REVISION

-

DRAW #

216 BUNK

CHECKED:



PROPRIETARY INFORMATION: THIS DRAWING CONTAINS INFORMATION FOR WHICH HUNTER MARINE CORPORATION HAS PROPRIETARY RIGHTS.



H U N T E R 216

DRAWING TITLE:

216 INTERIOR BUNK

DRAWN BY:

AFF

DATE:

02-Apr-04

SHEET

2

OF

3

SCALE:

0.063

HUNTER PART NO.

TBD

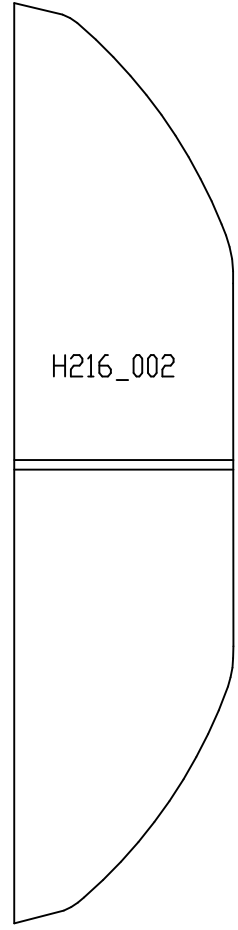
REVISION

-

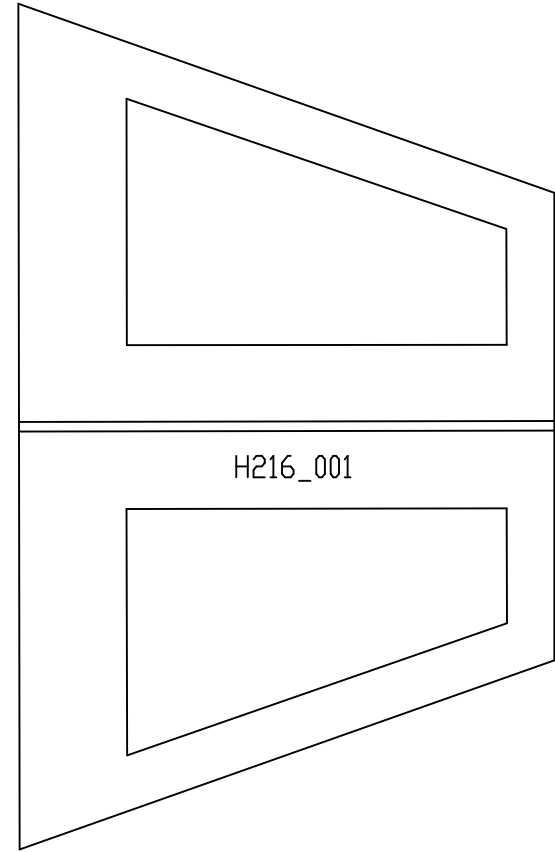
DRAW #

216 BUNK

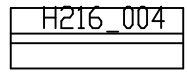
CHECKED:



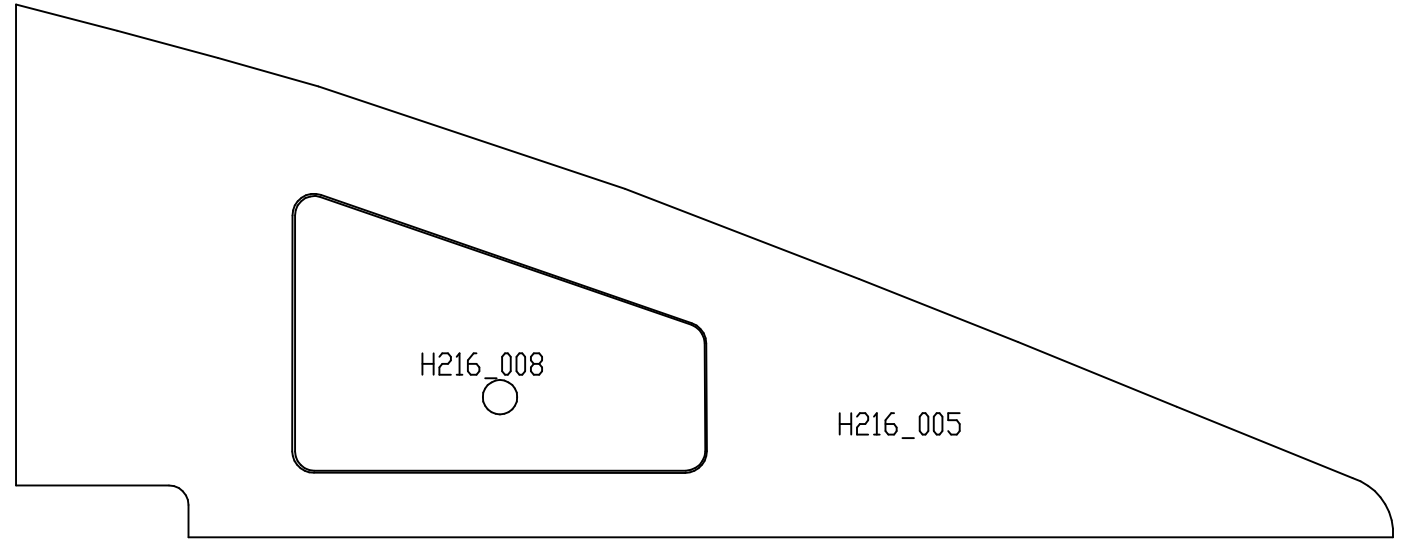
H216_002



H216_001

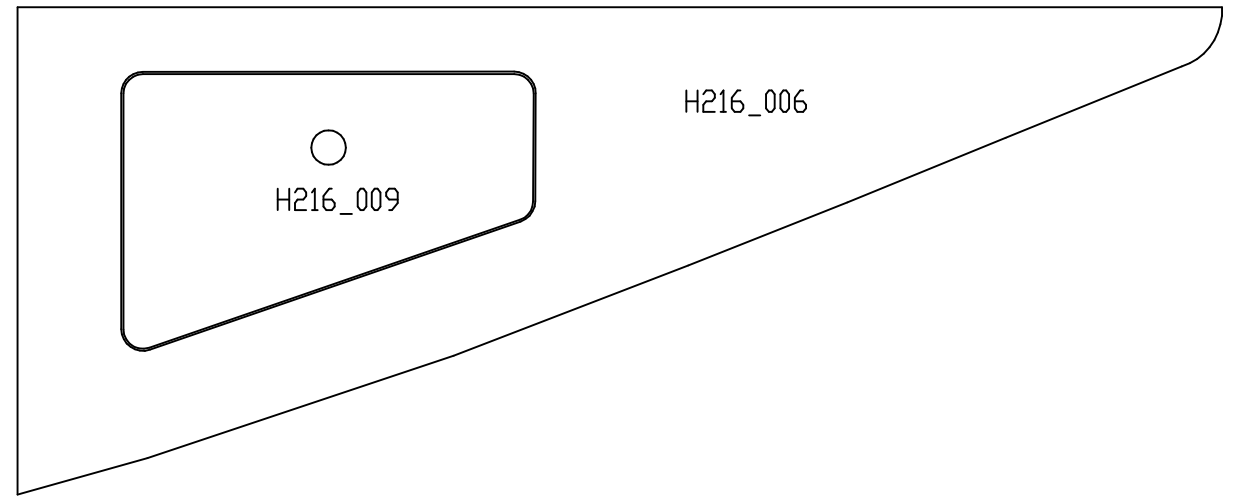


H216_004



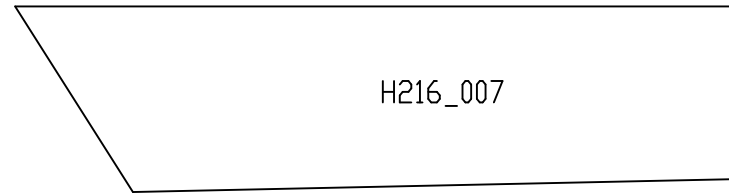
H216_008

H216_005

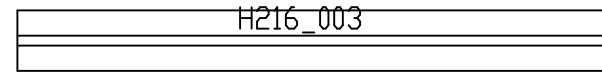


H216_009

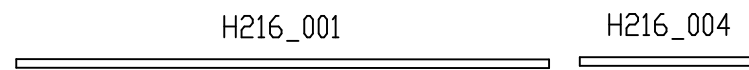
H216_006



H216_007

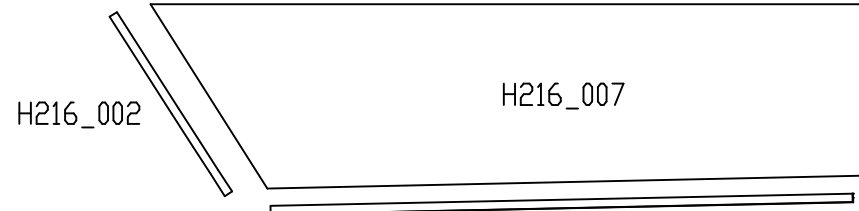


H216_003



H216_001

H216_004



H216_002

H216_007

H216_003

PROPRIETARY INFORMATION THIS DRAWING CONTAINS INFORMATION FOR WHICH HUNTER MARINE CORPORATION HAS PROPRIETARY RIGHTS.

HUNTER  216

DRAWING TITLE:

216 INTERIOR BUNK

DRAWN BY:	DATE:	SHEET	OF
AFF	12-Apr-04	3	3
SCALE:	HUNTER PART NO.	REVISION	DRAW #
0.126	PART NUMBER	REV	216 BUNK

CHECKED